




Over The Range Microwave Oven

Installation Instructions

Available color
Black/Stainless steel



1 (844) 538-7890

 www.gaslandchef.com

 support@gaslandchef.com

 8350 Patriot Blvd STE B, SC 29418

Precautions To Avoid Possible Exposure To Excessive Microwave Energy

- (a) Do not attempt to operate this oven with the door open since operation can result in harmful exposure to microwave energy. It is important not to defeat or tamper with the safety interlocks.
- (b) Do not place any object between the oven front face and the door or allows soil or cleaner residue to accumulate on sealing surfaces.
- (c) Do not operate the oven if it is damaged. It is particular important that the oven door close properly and that there is no damage to the:
 - (1) DOOR (bent)
 - (2) HINGES AND LATCHES (broken or loosened)
 - (3) DOOR SEALS AND SEALING SURFACE
- (d) The oven should not be adjusted or repaired by anyone except properly qualified service personnel.

Specifications

Model	OTR1603B/OTR1603S
Rated Voltage	120V~60Hz
Rated Input Power(Microwave)	1550 Watt
Rated Output Power(Microwave)	1000 Watt
Oven Capacity	1.6Cu.ft
Turntable Diameter	13.6inches
External Dimensions(LxWxH)	29.9x15.0x16.4 inches
Net Weight	Approx.55.1Lbs

Important Safety Instructions

When using electrical appliances basic safety precautions should be followed, including the following:

WARNING -To reduce the risk of burns, electric shock, fire, injury to persons or exposure to excessive microwave energy:

1. Read all instructions before using the appliance.
2. Read and follow the specific: "PRECAUTIONS TO AVOID POSSIBLE EXPOSURE TO EXCESSIVE MICROWAVE ENERGY" found on page 1.



3. This appliance must be grounded. Connect only to properly grounded outlet. See "GROUNDING INSTRUCTIONS" found on page 3.
4. Install or locate this appliance only in accordance with the provided installation instructions.
5. Some products such as whole eggs and sealed containers - for example, closed glass jars - are able to explode and should not be heated in this oven.
6. Use this appliance only for its intended use as described in the manual. Do not use corrosive chemicals or vapors in this appliance. This type of oven is specifically designed to heat, cook or dry food. It is not designed for industrial or laboratory use.
7. As with any appliance, close supervision is necessary when used by children.
8. Do not operate this appliance if it has a damaged cord or plug, if it is not working properly, or if it has been damaged or dropped.
9. This appliance should be serviced only by qualified service personnel. Contact nearest authorized service facility for examination, repair, or adjustment.
10. Do not cover or block any openings on the appliance.
11. Do not store this appliance outdoors. Do not use this product near water - for example, near a kitchen sink, in a wet basement, near a swimming pool, or similar location.
12. Do not immerse cord or plug in water.
13. Keep cord away from heated surface.
14. Do not let cord hang over edge of table or counter.
15. When cleaning surfaces of door and oven that comes together on closing the door, use only mild, nonabrasive soaps, or detergent applied with a sponge or soft cloth.
16. To reduce the risk of fire in the oven cavity:
 - 1). Do not overcook food. Carefully attend appliance when paper, plastic, or other combustible materials are placed inside the oven to facilitate cooking.
 - 2). Remove wire twist-ties from paper or plastic bag before placing bag in oven.
 - 3). If material inside of the oven ignites, keep oven door closed, turn oven off, and disconnect the power cord, shut off power at the fuse or circuit breaker panel.
 - 4). Do not use the cavity for storage purposes. Do not leave paper products, cooking utensils, or food in the cavity when not in use.
17. Liquids, such as water, coffee, or tea are able to be overheated beyond the boiling point without appearing to be boiling. Visible bubbling or boiling when the container is removed from the microwave oven is not always present.



THIS COULD RESULT IN VERY HOT LIQUID SUDDENLY BOILING OVER WHEN THE CONTAINER IS DISTURBED OR A UTENSIL IS INSERTED INTO THE LIQUID.

To reduce the risk of injury to persons:

- 1) Do not overheat the liquid.
 - 2) Stir the liquid both before and halfway through heating it.
 - 3) Do not use straight-sided containers with narrow necks.
 - 4) After heating, allow the container to stand in the microwave oven for a short time before removing the container.
 - 5) Use extreme care when inserting a spoon or other utensil into the container.
18. Do not operate any heating or cooking appliance beneath the appliance. (Exception: A microwave oven investigated for use above another heating appliance.)
 19. Do not mount unit over or near any portion of heating or cooking appliance. (Exception: A microwave oven investigated for use above another heating appliance.)
 20. Do not mount over sink.
 21. Do not store anything directly operation.
 22. Clean Ventilation Hoods Frequently - Grease should not be allowed to accumulate on hood or filter.
 23. When flaming foods under the hood, turn the fan on.
 24. Use care when cleaning the vent-hood filter. Corrosive cleaning agents, such as lye-based oven cleaners, may damage the filter.
 25. Suitable for use above both gas and electric cooking equipment.

Grounding Instructions

This appliance must be grounded. In the event of an electrical short circuit, grounding reduces the risk of electric shock by providing an escape wire for the electric current. This appliance is equipped with a cord having a grounding wire with a grounding plug. The plug must be plugged into an outlet that is properly installed and grounded.

WARNING - Improper use of the grounding can result in a risk of electric shock. Consult a qualified electrician or serviceman if the grounding instructions are not completely or if doubt exists as to whether the appliance is properly grounded. If it is necessary to use an extension cord, use only a 3-wire extension cord that has a 3-blade grounded plug, and 3-slot receptacle that will accept the plug on the appliance. The marked rating of the extension cord shall be equal to or greater than the electrical rating of the appliance.



DANGER - Electric Shock Hazard

Touching some of the internal components can cause serious personal injury or death. Do not disassemble this appliance.

WARNING - Electric Shock Hazard

Improper use of the grounding can result in electric shock. Do not plug into an outlet until appliance is properly installed and grounded.

1. A short power supply cord is provided to reduce the risks resulting from becoming entangled in or tripping over a longer cord.
2. Longer cord sets or extension cords are available and may be used if care is exercised in their use.
3. If a long cord or extension cord is used:
 - 1) The marked electrical rating of the cord set or extension cord should be at least as great as the electrical rating of the appliance.
 - 2) The extension cord must be a grounding-type 3-wire cord.
 - 3) The longer cord should be arranged so that it will not drape over the counter top or tabletop where it can be pulled on by children or tripped over unintentionally.

Radio interference

1. Operation of the microwave oven may cause interference to your radio, TV or similar equipment.
2. When there is interference, it may be reduced or eliminated by taking the following measures:
 - 1) Clean door and sealing surface of the oven
 - 2) Reorient the receiving antenna of radio or television.
 - 3) Relocate the microwave oven with respect to the receiver.
 - 4) Move the microwave oven away from the receiver.
 - 5) Plug the microwave oven into a different outlet so that microwave oven and receiver are on different branch circuits.



Utensils

CAUTION - Personal Injury Hazard

Tightly-closed utensils could explode. Closed containers should be opened and plastic pouches should be pierced before cooking.

See the instructions on "Materials you can use in microwave oven or to be avoided in microwave oven."

There may be certain non-metallic utensils that are not safe to use for microwaving. If in doubt, you can test the utensil in question following the procedure below.
Utensil Test:

1. Fill a microwave-safe container with 1 cup of cold water (250ml) along with the utensil in question.
2. Cook on maximum power for 1 minute.
3. Carefully feel the utensil. If the empty utensil is warm, do not use it for microwave cooking.
4. Do not exceed 1 minute cooking time.

Materials You Can Use In Microwave Oven

Utensils	Remarks
Browning dish	Follow manufacturer* instructions. The bottom of browning dish must be at least 3/16 inch (5mm) above the turntable. Incorrect usage may cause the turntable to break.
Dinnerware	Microwave-safe only. Follow manufacturer's instructions. Do not use cracked or chipped dishes.
Glass jars	Always remove lid. Use only to heat food until just warm. Most glass jars are not heat resistant and may break.
Glassware	Heat-resistant oven glassware only. Make sure there is no metallic trim. Do not use cracked or chipped dishes.
Oven cooking bags	Follow manufacturer* instructions. Do not close with metal tie. Make slits to allow steam to escape.
Paper plates and cups	Use for short*erm cooking/warming only. Do not leave oven unattended while cooking.
Paper towels	Use to cover food for reheating and absorbing fat. Use with supervision for a short-term cooking only.



Utensils	Remarks
Paper towels	Use to cover food for reheating and absorbing fat. Use with supervision for a short-term cooking only.
Parchment paper	Use as a cover to prevent splattering or a wrap for steaming.
Utensils	Remarks
Plastic	Microwave-safe only. Follow the manufacturer* instructions. Should be labeled "Microwave Safe". Some plastic containers soften, as the food inside gets hot. "Boiling bags" and tightly closed plastic bags should be slit, pierced or vented as directed by package.
Plastic wrap	Microwave-safe only. Use to cover food during cooking to retain moisture. Do not allow plastic wrap to touch food.
Thermometers	Microwave-safe only (meat and candy thermometers).
Wax paper	Use as a cover to prevent splattering and retain moisture.

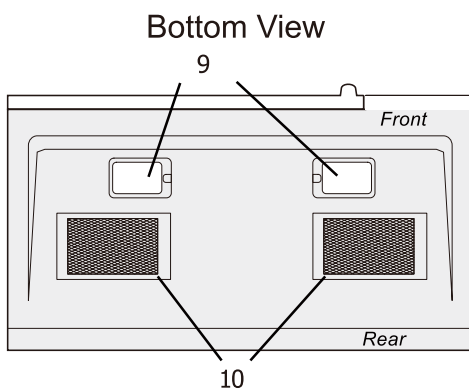
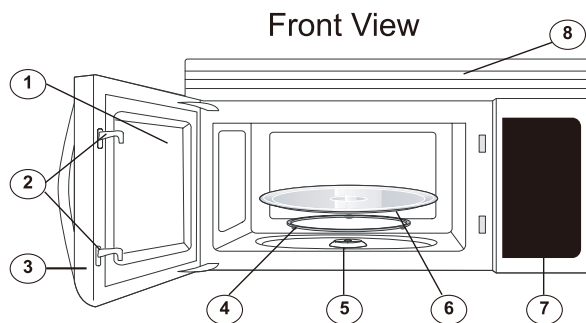
Materials To Be Avoided In Microwave Oven

Utensils	Remarks
Aluminum tray	May cause arcing Transfer food into microwave-safe dish.
Food carton with metal handle	May cause arcing. Transfer food into microwave-safe dish.
Metal or metaltrimmed utensils	Metal shields the food from microwave energy. Metal trim may cause arcing.
Metal twist ties	May cause arcing and could cause a fire in the oven.
Paper bags	May cause a fire in the oven.
Plastic foam	Plastic foam may melt or contaminate the liquid inside when exposed to high temperature.
Wood	Wood will dry out when used in the microwave oven and may split or crack.



Part Names

Microwave features

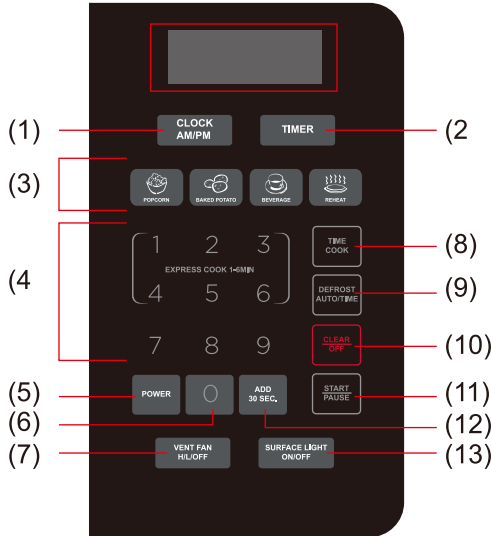


1. Window
2. Interlock system
3. Door assembly
4. Turntable ring assembly
5. Turntable shaft
6. Turntable glass tray
7. Control panel
8. Front vent grill
9. Surface lights
10. Ventilation filters



Operation

Control panel and features



- (1) Clock AM/PM: to set the
- (2) Timer
- (3) Auto Menu
- (4) Number Keys
- (5) Power
- (6) Display On/Off
- (7) Vent Fan H/L/Off
- (8) Time Cook
- (9) Defrost Auto/Time
- (10) Clear/Off: clears all previous settings before cooking starts.

During cooking: press once to stop oven; twice to stop and clear all entries.

- (11) Start/Pause: 1.Cooking/defrosting would be paused if microwave oven's door is opened during cooking/ defrosting, and the display shows the remaining cooking time. Close the door and press "START/ PAUSE" to continue cooking/defrosting. 2.Press "START/ PAUSE" during cooking/ defrosting to pause cooking/defrosting; press again to continue cooking/defrosting.
- (12) Add 30Sec.
- (13) Surface Light On/Off



Operation Instructions

1. Clock Setting

- 1). Press "CLOCK/AM/PM", the unit enters the clock setting mode. AM indicator will light up. "0:00" flashing will allow you to input the time.
- 2). Press "CLOCK/AM/PM" again to select AM or PM. The responding AM or PM indicator will light up.
- 3). Press the number keys and enter the correct time. For example, time is 10:12 now, please press "1,0,1,2" on the key pad.
- 4). Press "CLOCK/AM/PM" key finish setting up the clock.

Note: This is a 12 hour clock from 1:00 to 12:59. If the time set is not appropriate, press "CLOCK/AM/PM" will be no used. Buzzer will beep twice and and go back to standby mode.

2. Microwave Cooking

- 1) Press "TIME COOK" to select microwave cooking. "0:00" will flash to remind you to enter the cooking time.
- 2) Press the number keys to adjust the cooking time you need.
For example, to set the cooking time for 10 minutes, please press "1,0,0,0" on key pad. The maximum cooking time is 99 minutes 99 seconds.
- 3) At the same time, you can choose the power by pressing "POWER".
- 4) Press the number keys to select the power level.
- 5) Press "START/PAUSE" to start cooking. Time starts to counts down.

Note:

- 1). If the power level you choose is 100% power, steps "3" and "4" can be skipped and go directly to the step "5".
- 2). When cooking reached the end of the set time, the buzzer will beep five times to remind you.

Ten power levels are available.

Level	10	9	8	7	6	5	4	3	2	1
Power	100%	90%	80%	70%	60%	50%	40%	30%	20%	10%
Display	PL10	PL9	PL8	PL7	PL6	PL5	PL4	PL3	PL2	PL1

3. Multi-stage Cooking

Two cooking stages can be input.

For example: to cook the food with 100% microwave power for 10 minutes and then cook with 80% microwave power for 15 minutes. Do the following:

- 1) Press "TIME COOK" to choose microwave cooking;
- 2) Press "1","0","0","0" to input the cooking time;
- 3) Press "POWER" to choose 100% microwave power;
- 4) Press "TIME COOK" to choose microwave cooking;



- 5) Press "1", "5", "0", "0" to input cooking time;
- 6) Press "POWER" to select the microwave power;
- 7) Press "8" to choose 80% microwave power;
- 8) Press "START/PAUSE" to start cooking.

Note:

- a. Microwave cooking can be for two stages only. Defrost program and auto menu cannot be set here.
- b. When the first stage of cooking reaches the end of the set time, the buzzer will beep once and the second stage will start.

4. Speedy Cooking

- 1) In a waiting state, press "ADD 30 SEC", to start cooking at 100% microwave power for 30 seconds.
- 2) You can also extend cooking time by pressing "ADD 30 SEC", during cooking to add 30 seconds. The maximum cooking time is 99 minutes and 99 seconds.
- 3) Press number keys from 1 to 6 to start cooking with full microwave power for 1-6 minutes.

Note: During speedy cooking, microwave power can be checked and selected.

Press "POWER", the current power will display, then press number keys to choose the power you need.

5. Defrost Cooking

A. Defrost By Weight

- 1) Press "DEFROST AUTO/TIME" once to choose defrost by weight function. Defrost indicator will light up and "lb" indicator will flash;
- 2) Press number keys from 0 to 9 to enter the defrost weight. For example: the food weight is 1.2 Lbs, then "1", "2" will be entered. The maximum cooking weight is 6.0 Lbs. If the weight input is more than 6.0 Lbs, the unit will turn back to waiting states.
- 3) Press "START/PAUSE" to start defrosting. "lb" indicator will be off.

B. Defrost By Time

- 1) Press "DEFROST AUTO/TIME" twice to choose defrost by time function. Defrost indicator will light up;
- 2) Press number keys from 0 to 9 to input the defrost time. The maximum time can be input is 99 minutes and 99 seconds.
- 3) Press "START/PAUSE" to start defrosting.

Note: Halfway through the defrost time, the buzzer will beep once to remind you to flip over the food. In both weight/time defrost, the defrost icon is blinking on screen during the operation to indicate that defrost has ended.



6. Hood Function
 - 1) When the exhaust fan is in the off mode, press "VENT FAN/H/L/OFF" once to select the fan with high speed;
 - 2) Press "VENT FAN/H/L/OFF" twice to select the fan with low speed;
 - 3) Press "VENT FAN/H/L/OFF" three times to select the fan to be off.
 - 4) The fan can be adjusted anytime, except during the lock mode.
7. Oven Light
 - 1) Press "SURFACE LIGHT ON/OFF" once to turn on the light;
 - 2) Press "SURFACE LIGHT ON/OFF" twice to turn off the light.
8. Timer Function
 - 1) Press "TIMER", for the timer indicator to light up;
 - 2) Press number keys to enter the cooking time you need. The maximum cooking time is 99 minutes and 99 seconds.
 - 3) Press "TIMER", time counts down. When time counting down is over, buzzer sounds to indicates off.
 - 4) Press "TIMER", the timer function or the buzzer sound will stop.
Note: During the use of a timer mode, hood and oven light can be used. Other functions will not be available at that time.
9. Display On/Off Function
 - 1) During the use of a timer mode, hood and oven light can be used. Other functions will not be available at that time.
 - 2) During display off mode press any key, the buzzer will beep once and the microwave oven will go back to standby mode.
10. Auto Menu
 - a) Press "POPCORN", "BAKED POTATO", "BEVERGAE" or "REHEAT" repeatedly until the auto menu number you wish appears on the display.
 - b) Press "START/PAUSE" to start cooking.



The menu chart:

Menu	Weight	Power
Popcorn	1.75 Oz	P100
	3.0 Oz	P100
	3.5 Oz	P100
Baked potato	1	P100
	2	P100
	3	P100
Beverage	1	P100
	2	P100
	3	P100
Reheat	8.0 Oz	P100
	16.0 Oz	P100
	24.0 Oz	P100

11. Inquiring Function

- 1) During microwave cooking mode, press "POWER" to check the power level.
- 2) During cooking mode, press "CLOCK/AM/PM" to check the clock.

12. Child Lock Function

Lock: In standby mode, press "CLEAR/OFF" for 3 seconds, there will be two beeps two beeps indicating the Child Lock mode.

Unlock: While in locked mode, press "CLEAR/OFF" for 3 seconds, there will be two beeps indicating that unit is unlocked.

Maintenance

Troubleshooting Check your problem by using the chart below and try the solutions for each problem. If the microwave oven still does not work properly, contact the nearest authorized service center.



Trouble	Possible Cause	Possible Remedy
Oven will not start	a. Electrical cord for oven is not plugged in. b. Door is open. c. Wrong operation is set.	a. Plug into the outlet. b. Close the door and try again. c. Check instructions.
Arcing or sparking	a. Materials to be avoided in microwave oven were used. b. The oven is operated when empty. c. Spilled food remains in the cavity.	a. Use microwave-safe cookware only. b. Do not operate with oven empty. c. Clean cavity with wet towel.
Unevenly cooked foods	a. Materials to be avoided in microwave oven were used. b. Food is not defrosted completely. c. Cooking time, power level is not suitable. d. Food is not turned or stirred.	a. Use microwave-safe cookware only. b. Completely defrost food. c. Use correct cooking time, power level. d. Turn or stir food.
Overcooked foods	Cooking time, power level is not suitable.	Use correct cooking time, power level.
Undercooked foods	a. Materials to be avoided in microwave oven were used. b. Food is not defrosted completely. c. Oven ventilation ports are restricted. d. Cooking time, power level is not suitable.	a. Use microwave-safe cookware only. b. Completely defrost food. c. Check to see that oven ventilation ports are not restricted. d. Use correct cooking time, power level.
Improper defrosting	a. Materials to be avoided in microwave oven were used. b. Cooking time, power level is not suitable. c. Food is not turned or stirred.	a. Use microwave-safe cookware only. b. Use correct cooking time, power level. c. Turn or stir food.



Cleaning And Care

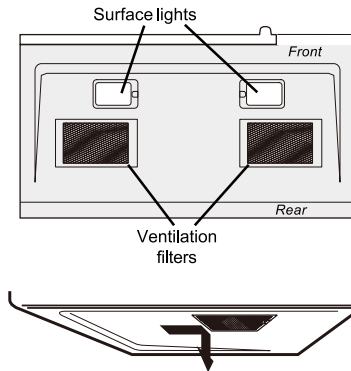
Disconnect the power cord before cleaning or leave the door open to deactivate the oven during cleaning.

Cleaning the exhaust filters

The oven ventilation exhaust filters should be removed and cleaned often; generally at least once every month.

⚠ CAUTION

To avoid risk of personal injury or property damage, do not operate oven hood without filters properly in place.



1. To remove the exhaust ventilation filters, slide the filter to the rear. Then pull filter downward and push to the other side. The filter will drop out. Repeat for the 2nd filter.



2. To reinstall the exhaust ventilation filter, slide it into the side slot, then push up and toward oven to lock. Reinstall the 2nd filter using the same procedure.

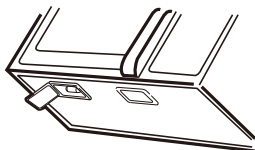


Surface light replacement

⚠ CAUTION

To avoid risk of personal injury or property damage, wear gloves when replacing the light bulbs.

1. Unplug the microwave oven or turn off power at the main circuit breaker.
2. Remove the bulb cover mounting screws at both light positions under the microwave.



3. Replace bulb with 30 watt appliance bulb.
4. Re-install bulb cover and mounting screw.
5. Plug the microwave back into the power supply or turn the power back on at the main circuit breaker.

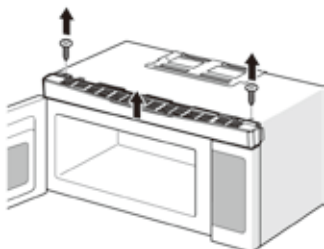
Cleaning And Care

Disconnect the power cord before cleaning or leave the door open to deactivate the oven during cleaning.

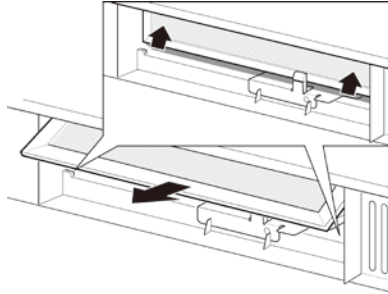
Charcoal filter replacement

Charcoal filter installed in your microwave oven, is used for nonvented, recirculated installation. The filter should be changed every 6 to 12 months depending on use.

1. Disconnect power to the microwave oven at the circuit breaker panel or by unplugging.
2. Remove the vent grill mounting screws.
3. Pull the vent grill away from the unit.



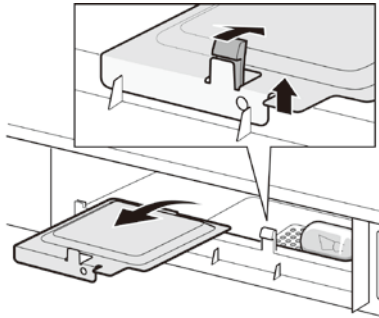
4. Remove the charcoal filter by pushing it inwards, then turn and pull it away from the unit.



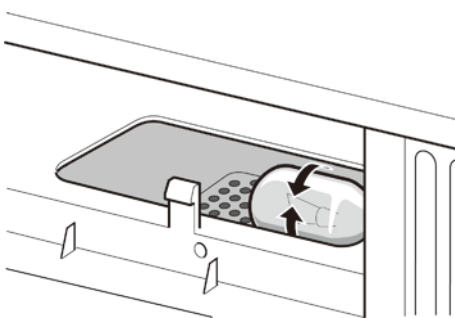
Oven light replacement

Remove the per instructions 1-4 above and charcoal filter, if used.

1. Open light cover located behind filter mounting by carefully pulling up on the front edge.



2. Remove old light bulb and replace only with equivalent 30 watt bulb available from parts distributor. Bulbs are also available at most hardware stores or lighting centers.



Note: DO NOT USE BULB LARGER THAN 30 WATTS.

3. Replace the microwave oven light cover by carefully pushing into place.
Replace the charcoal filter. Push the vent grill back into place (engaging both the bottom and top tabs) and replace the vent grill mounting screws.

Cleaning And Care

Disconnect the power cord before cleaning or leave the door open to deactivate the oven during cleaning.

Cleaning suggestions

For best performance and for safety reasons, keep the oven clean inside and outside. Take special care to keep the inner door panel and oven front frame free of food and grease build-up.

Never use rough scouring powder or pads on the microwave. Wipe the microwave oven inside and out with a soft cloth and a warm (not hot) mild detergent solution. Then rinse and wipe completely dry.

Wipe spatters immediately with a wet paper towel, especially after cooking greasy foods like chicken or bacon.

Clean your microwave oven weekly or more often, if needed.

Follow these instructions to clean and care for your microwave oven:

- Keep the inside (cavity) of the oven clean. Food particles and spilled liquids can stick to the oven walls, causing the oven to work less efficiently.
- Wipe up spills immediately. Use a damp, clean cloth and mild soap. DO NOT use harsh detergents or abrasive cleaners.
- To help loosen baked-on food particles or liquids, heat 2 cups of water (add the juice of 1 lemon if you desire to keep the oven fresh smelling) in a 4 cup measuring glass at High power for 5 minutes or until boiling. Let stand in oven cavity for 1 or 2 minutes.
- Remove the glass turntable tray from the oven when cleaning the oven cavity or tray. To prevent the glass turntable from breaking, handle with care and do not put it in water immediately after cooking. Wash the turntable tray in warm sudsy water or in the dishwasher.
- Clean the outside surface of the microwave with soap and a clean damp cloth. Dry with a clean soft cloth. To prevent damage to the operating parts of the oven, do not let water seep into any vents or openings.



- Wash the oven door window with very mild soap and water. Be sure to use a soft clean cloth to avoid scratching.
- If steam accumulates inside or outside the oven door, wipe with a soft cloth. Steam can accumulate when operating the oven in high humidity and in no way indicates microwave leakage.
- Never operate the oven without food in the oven cavity; this can damage the magnetron tube or glass tray. You may wish to leave a cup of water standing inside the oven when it is not in use to prevent damage if the oven is accidentally turned on.





GASLAND chef

1 (844)538-7890

www.gaslandchef.com

