

GASLAND outdoors

MODEL NUMBER

MHA18B/MHA18BN/MHA18BN-CA

CONSUMER: READ AND RETAIN THESE INSTRUCTIONS FOR FUTURE USE



⚠ DANGER

GENERAL HAZARD WARNING:

FAILURE TO COMPLY WITH THE PRECAUTIONS AND INSTRUCTIONS PROVIDED WITH THIS HEATER, CAN RESULT IN DEATH, SERIOUS BODILY INJURY AND PROPERTY LOSS OR DAMAGE FROM HAZARDS OF FIRE, EXPLOSION, BURN, ASPHYXIATION, CARBON MONOXIDE POISONING AND / OR ELECTRIC SHOCK.

ONLY PERSONS WHO CAN UNDERSTAND AND FOLLOW THE INSTRUCTIONS SHOULD USE OR SERVICE THIS HEATER. IF YOU NEED ASSISTANCE OR HEATER INFORMATION SUCH AS AN INSTRUCTIONS MANUAL, LABEL, ETC. CONTACT THE MANUFACTURER.

⚠ WARNING

FIRE, BURN, INHALATION, AND EXPLOSION HAZARD. KEEP SOLID COMBUSTIBLES, SUCH AS BUILDING MATERIALS, PAPER OR CARDBOARD, A SAFE DISTANCE AWAY FROM THE HEATER AS RECOMMENDED BY THESE INSTRUCTIONS. NEVER USE THE HEATER IN SPACES WHICH DO OR MAY CONTAIN VOLATILE OR AIRBORNE COMBUSTIBLES, OR PRODUCTS SUCH AS GASOLINE, SOLVENTS, PAINT THINNERS, DUST PARTICLES OR UNKNOWN CHEMICALS. KEEP ALL COMBUSTIBLE MATERIALS, GASOLINE, AND OTHER FLAMMABLE VAPORS AND LIQUID AWAY FROM THIS HEATER.

Factory ID: 525



This heater is designed and approved for use as a construction heater in accordance with Standard for Gas fired Construction heaters ANS Z83.7 * CSA 2.14-2017. CHECK WITH YOUR LOCAL FIRE SAFETY AUTHORITY IF YOU HAVE ANY QUESTIONS ABOUT APPLICATIONS. Other standards govern the use of fuel gasses and heating products for specific uses. Your local authority can advise you about these.

TABLE OF CONTENTS

Safety Information.....2-5 Specifications.....5 Features.....6 What's in the Box.....6 Unpacking.....6 Assembly.....7 Operation.....8-10	Ventilation.....10 Storage and Maintenance.....11 Troubleshooting Guide.....12 Exploded View & Parts List.....13 Warranty.....14
--	--

SAFETY INFORMATION

⚠ DANGER **Carbon Monoxide Hazard** This heater produces carbon monoxide, which has no odor. Burning the heater in an enclosed space can kill you. Never use the heater in enclosed spaces such as a tent, a camper, any vehicle or recreational vehicle (RV), enclosed shelter, or any other enclosed areas.

⚠ DANGER If the information in this manual is not followed exactly, a fire or explosion may result causing property damage, personal injury or loss of life.

⚠ DANGER Not for use in residential living areas or in non-adequately ventilated enclosed spaces. Never bring or store a propane cylinder indoors.

⚠ WARNING **NOT FOR HOME OR RECREATIONAL VEHICLE USE.**

⚠ WARNING **DO NOT OPERATE THIS HEATER UNTIL YOU HAVE READ AND THOROUGHLY UNDERSTAND THESE SAFETY AND OPERATING INSTRUCTIONS.**
 Failure to comply with the precautions and instructions provided with this heater can result in death, serious bodily injury, property loss or damage from the hazards of fire, explosions, burns, asphyxiation or carbon monoxide poisoning. Only persons who can read and understand these instructions should use or service this heater.

⚠ WARNING This is an unvented portable heater. It uses air (oxygen) from the area in which it is used. Adequate combustion and ventilation air must be provided. Refer to VENTILATION on Page 10.

⚠ WARNING **EXTREMELY HOT DURING OPERATION!** Do Not touch any metal components while in operation. Keep all combustible materials, gasoline, and other flammable vapors and liquid away from this heater.

⚠ WARNING: This product can expose you to chemicals, including lead, which is known to the State of California to cause cancer and birth defects or other reproductive harm. For more information go to www.P65Warnings.ca.gov.



SAFETY INFORMATION (CONT.)

⚠ WARNING RISK OF INDOOR AIR POLLUTION!

The products described in this manual are propane direct-fired, forced air heaters. Propane forced air heaters are primarily intended for use for temporary heating of buildings under construction, alteration or repair. Direct-fired means that all of the combustion products of the heater enter the heated space. This appliance is rated at 98% combustion efficiency, but does produce small amounts of carbon monoxide.

Carbon monoxide is toxic. Humans can tolerate only small amounts of carbon monoxide and so precautions should be taken to provide proper ventilation. Failure to provide proper ventilation in accordance with the instructions in this manual can result in death.

⚠ DANGER CARBON MONOXIDE POISONING MAY LEAD TO DEATH!

People with breathing problems should consult a physician before using this heater.

Early signs of carbon monoxide poisoning resemble the flu. Symptoms of improper ventilation / carbon monoxide poisoning are:

**Headache • Dizziness • Nausea • Dry Mouth
Sore Throat • Burning of Nose and Eyes**

If you experience any of these symptoms:

GET FRESH AIR AT ONCE! Have your heater serviced and check for proper ventilation. Some people are more affected by carbon monoxide than others. These include: pregnant women, those with heart or lung problems, anemia or those under the influence of alcohol or at high altitudes.

FOR INDOOR USE ONLY: Adequate ventilation shall be provided in accordance with OSHA 29 CFR 1926.154, Safety Requirements for Temporary and Portable Space Heating Devices and Equipment, ANSI A10.10, ANSI Z223.1/NFPA 54 Liquefied Petroleum Gas Code, NFPA 58 or the Natural Gas and Propane Installation Code, CAN B149.1 as appropriate.

⚠ DANGER PROPANE IS AN EXPLOSIVE GAS.**WHAT TO DO IF THE SMELL OF GAS IS PRESENT:**

- DO NOT attempt to light the heater.
- Extinguish any open flame.
- Shut off gas to heater.
- If odor continues, contact your local gas supplier or fire department.
- DO NOT touch or use any electric switch or any electric device that can cause a spark.
- Immediately call your gas supplier from a neighbors phone. Follow the gas suppliers instructions.
- If you can not reach your gas supplier, call the fire department.
- Service must be done by a qualified service agency.

⚠ WARNING RISK OF BURNS, FIRE AND EXPLOSION!

NEVER store or use gasoline or other flammable vapors and liquids in the vicinity of this heater.

NEVER store a propane (LP) cylinder not connected to this heater in the vicinity of this heater.

NEVER connect heater to an unregulated gas supply.

NEVER obstruct the flow of combustion and ventilation air.

NEVER use duct work in front or rear of heater.

NEVER modify this heater or operate a heater that has been modified.

NEVER service, move or handle heater while still hot or operating

Keep all combustible materials, gasoline, and other flammable vapors and liquid away from this heater.

Minimum Clearance From Combustibles

Front	Sides	Top
40 in.	16 in.	40 in.



SAFETY INFORMATION (CONT.)

▲ **WARNING** AIR QUALITY HAZARD

- Do not use this heater for heating human living quarters
- Use of direct-fired heaters in the construction environment can result in exposure to levels of CO, CO₂, and NO₂ considered to be hazardous to health and potentially life threatening
- Do not use in unventilated areas
- Know the signs of CO and CO₂ poisoning
 - Headaches, stinging eyes
 - Dizziness, disorientation
 - Difficulty breathing, feels of being suffocated
- Proper ventilation air exchange (OSHA 29 CFR 1926.57) to support combustions and maintain acceptable air quality shall be provided in accordance with OSHA 29 CFR Part 1926.154, ANSI A10.10 Safety Requirements for Temporary and Portable Space Heating Devices and Equipment used in the Construction Industry or the Natural Gas and Propane Installation Codes CSA B149.1

USA 8-Hr Time weighted average
(OSHA 29 CFR 1926.55 App A)

CO	50 ppm	
CO ₂	5000 ppm	
NO ₂		

USA – Ceiling Limit
(Short Term Exposure Limit = 15 minutes)

CO		
CO ₂		
NO ₂	5 ppm	

▲ **WARNING**

CAUTION! HOT WHILE IN OPERATION. DO NOT TOUCH. KEEP CHILDREN, ANIMALS, CLOTHING AND COMBUSTIBLES AWAY FROM HEATER.

- Periodically monitor levels of CO, CO₂ and NO₂ existing at the construction site – at the minimum at the start of the shift and after 4 hours.
- Provide ventilation air exchange, either natural or mechanical, as required to maintain acceptable indoor air quality
- Ensure that the flow of combustion and ventilation air exchanges cannot become obstructed
- As the building “tightens up” during the construction phase ventilation may need to be increased


Canada 8-hr time weighted average WorkSafe BC OHS Guidelines Part 5.1 and Ontario Workplaces Reg 833

25 ppm	
5000 ppm	
3 ppm (Reg 833)	

Canada STEL (15 minutes Reg 833/1 hour WSBC) WorkSafe BC OHS Guidelines Part 5.1 and Ontario Workplaces Reg 833

100 ppm	
15000 ppm (WSBC)	
30000 ppm (Reg 833)	
1.0 ppm (WorkSafeBC)	
5.0 ppm (Reg 833)	



 1 (844) 538-7890

 support@gaslandchef.com

 www.gaslandchef.com

 3330-A Marathon Ct Charleston, SC 29418

SAFETY INFORMATION (CONT.)

▲ WARNING For use with propane (LP) gas only.

- ALWAYS install the heater so that it is not directly exposed to water spray, rain, dripping water, or wind.
- Use heater in accordance with all local codes and with CSA 5.90 U.S. (5th Ed.) Infrared Patio Heater.
- This heater is shipped from the factory for use with propane (LP) gas only. Do not convert to any other gas. Installation must conform to local codes, or in their absence, with the standard for the Storage and Handling of Liquefied Petroleum Gases ANSI/NFPA 58 and the Natural Gas and Propane Installation Code CSA B149.1.
- Gas supply connections should be checked by using a 50/50 soap and water solution. Never use a flame to check for gas leaks.

- Use only the regulator and hose assembly provided with this heater. Inspect the regulator/hose assembly prior to each use of the heater. If there is excessive abrasion or wear, or if the hose is cut, replace it with the proper assembly shown in the parts list, prior to using the heater. The replacement hose assembly should follow manufacturer's specification.
- This heater is not for use on finished floors.

Minimum and Maximum Inlet Pressure

Model	MHA18B/MHA18BN/MHA18BN-CA
Min.	5 PSI
Max.	Bottle Pressure

▲ WARNING The hose assembly shall be protected from traffic, building material and contact with hot surfaces both during use and while in storage.

▲ WARNING RISK OF FIRE! ALWAYS LOCATE HEATER ON A STABLE AND LEVEL SURFACE!

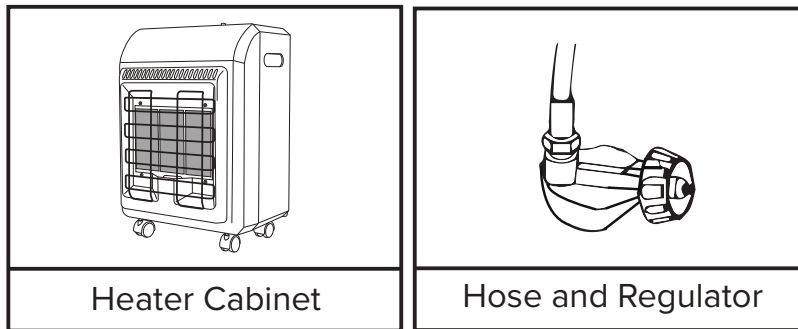
SPECIFICATIONS

Model #	MHA18B/MHA18BN/MHA18BN-CA
BTU	6,000 / 12,000 / 18,000
Fuel Consumption (lb./hr)	0.29 / 0.57 / 0.86
Heat Settings	3
Maximum Operating Hours	69 / 35 / 23
Required Cylinder Lbs.	20
Fuel Type	Use ONLY 20 lb. LP Gas Cylinder: 18" x 12.25"
Heating Area (Ft. ²)	150 / 300 / 450

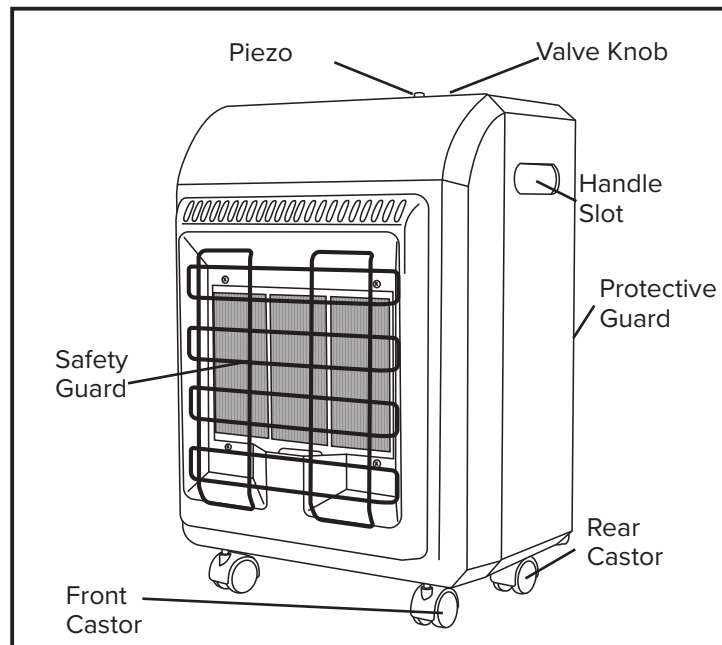
Specifications subject to change without notice.



WHAT'S IN THE BOX



FEATURES



UNPACKING

1. Remove all packing items applied to heater for shipment. Keep plastic cover caps attached to inlet connector and hose / regulator assembly for storage.
2. Remove all items from carton
3. Check all items for shipping damage. If the heater is damaged, promptly inform dealer where you purchased the heater.

▲ CAUTION

The Propane (LP) gas pressure regulator and hose assembly supplied with the heater must be used without alteration.



1 (844) 538-7890

support@gaslandchef.com

www.gaslandchef.com

3330-A Marathon Ct Charleston, SC 29418

ASSEMBLY

1. Place heater on a flat surface.
2. Fold propane tank tray down (see Figure 1)
3. Attach Back Cover.
4. Inspect heater closely for any damage that may have occurred during shipping. If there is any damage, return the heater to place of purchase.

Connecting to Gas Supply

IMPORTANT! - Always use a propane (LP) cylinder that has a connection device compatible with the hose and regulator assembly supplied.

1. Remove the back cover by sliding the cover straight up and away from the heater body. Place the LP cylinder on the bottom plate and replace the back cover.
2. To connect LP cylinder, insert regulator end fitting into cylinder valve, rotate coupling nut clockwise and tighten firmly (see Figure 2)
3. Open valve on propane cylinder slowly. If the valve is not opened slowly, the excess flow check valve in the regulator will stop the flow of gas. If this should happen, close the valve, wait one minute (or until you hear the valve click), and re-open, slowly.
4. Be sure to inspect all connections for leaks, by using a 50/50 mixture of dish soap and water on all connection. Any bubbles forming indicate a leak.

CAUTION

The Propane (LP) gas pressure regulator and hose assembly supplied with the heater must be used without alteration.

CAUTION

Be sure to inspect the regulator hose before each use. If the hose is cut or frayed, replace it with the manufacturer suggested assembly.

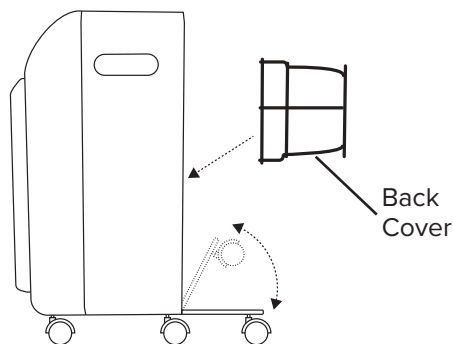


Figure 1

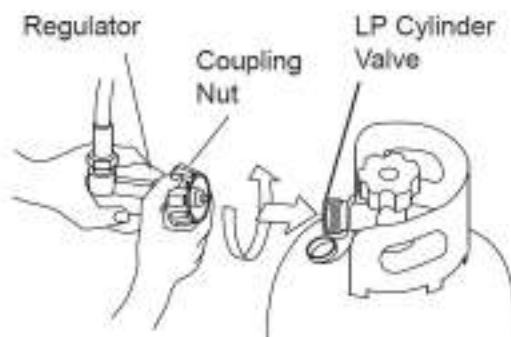


Figure 2



OPERATION

Propane Supply / Information:

Propane (LP)

This heater is not supplied with a propane cylinder. Use only an approved propane cylinder.

LP Characteristics

- Flammable, explosive under pressure, heavier than air and pools in low areas.
- In its natural state, propane has no odor, but for your safety an odor that smells like rotten cabbage has been added.
- Contact of propane (LP) gas with the skin can cause freeze burns.
- Heater is manufactured for use with propane gas only. DO NOT attempt to convert to any other gas. Such modifications are dangerous and will void the warranty.
- When heater is not in use, LP Cylinder must be turned OFF.
- Be sure that the LP Cylinder is located on a level and stable surface.
- DO NOT use this heater in a basement or below ground level. Propane is heavier than air and will always seek the lowest level. If you suspect a leak, shut off the valve at the LP Cylinder immediately.

The Propane (LP) cylinder must also be equipped with the following:

- A collar to protect the gas valve.
- A shut-off valve terminating a LP cylinder valve outlet as specified in the American National Standard for Compressed Gas Cylinder Valve Outlets and Inlets Connections.
- A safety relief valve having direct communications with the vapor space of the LP cylinder.
- The heater must operate on vapor withdrawal from the operating cylinder.
- Always keep LP cylinder fastened and upright.

CAUTION

Propane is safe to use when properly handled.

Careless handling of the LP cylinder could result in a fire and or an explosion.

- Avoid tipping the LP cylinder on its side when connected to a regulator, since this may cause damage to diaphragm in the regulator.
- Handle valves with care.

- Never connect an unregulated LP cylinder to a construction heater.
- DO NOT subject LP cylinder to excessive heat.
- Tightly close the gas shutoff valve on the LP cylinder after each use.
- All fittings must be protected when disconnected from the LP cylinder.
- Never store an LP cylinder inside a building or in the vicinity of an gas burning appliances.

CAUTION

The disconnected tank must never be stored in a

building, garage or any other enclosed area.

Pre-Lighting Instructions:

Connecting the LP Cylinder

ALL NEW LP CYLINDERS MUST BE PURGED BEFORE THE FIRST FILLING.

- Turn heater gas valve knob and LP cylinder valve to OFF position.
- LP cylinder valve equipped with old style fitting has LEFT HANDED THREADS. Turn fitting CLOCKWISE to loosen. Protect this fitting when disconnected from LP cylinder.
- Have your LP cylinder filled by your local propane gas supplier.
- Some LP cylinders have a bleed-OFF valve. This valve should be inspected for leaks after each filling of the LP cylinder. Turn the valve clockwise to close.
- Fasten full propane tank and connect proper fitting to LP cylinder valve by turning COUNTER-CLOCKWISE.
- With heater gas valve knob still in OFF position turn ON the LP cylinder valve and check for leaks with soap solution.

WARNING

Purging and filling of the LP cylinders must be

performed by personnel who have been thoroughly trained in accepted LP gas industry procedures. Failure to follow these instructions may result in explosion, fire, severe personal injury or death.



OPERATION (CONT.)

Checking For Leaks

- To check for leaks, make up a 50/50 solution of dish soap and water. Apply this solution to all gas connections. If bubbles appear, there is a leak. If a leak is found, turn off the gas supply, and re-connect the leaking connection. If the leak persists after several tries, contact GASLAND Customer Service at (844)538-7890.
- The installation of this heater must meet all local codes and/or gas utility requirements. In the absence of local codes, the National Fuel Code ANSI Z223.1 should be followed.
- The minimum clearances to any combustible construction materials must be maintained at all times (See Page 3).
- Inspect the heater before each use, and at least annually by a qualified service person.

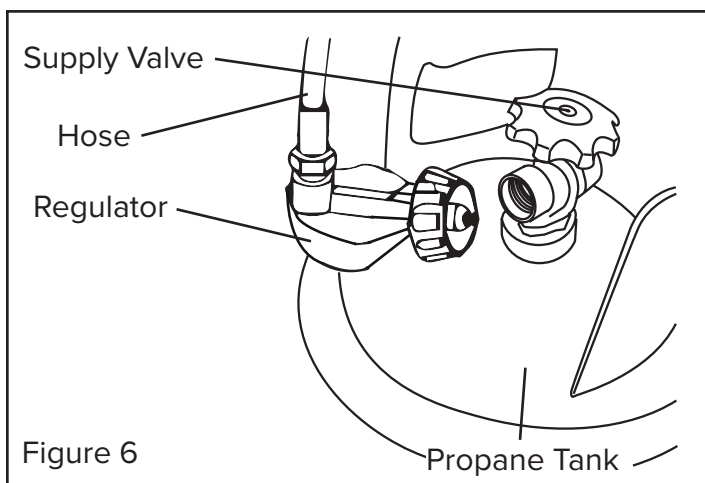


Figure 6

⚠ WARNING **EXTREMELY HOT** during operation. Do **Not touch any metal components while in operation. Keep gasoline and any other flammable liquids away from the heater.**

Lighting Instructions:

1. STOP! Read all of the safety information provided with this heater.
2. Turn valve on propane cylinder **COUNTERCLOCKWISE** until fully open.
3. Wait five (5) minutes for any gas to clear. Smell for gas. If none is evident, proceed to the next step.
4. Push in the valve knob and turn to "PILOT".

NOTE: If this is first time use for heater or LP cylinder has been replaced, hold the valve knob for approximately 30 seconds to allow bleeding of air from system then turn valve knob to PILOT.

5. While depressing the valve knob, press red piezo ignition button to ignite. It may be necessary to press the igniter button several times to ignite the center burner panel.
6. Continue to hold valve knob down for 30 seconds after the panel has lit. This will heat the thermocouple. After 30 seconds, release the valve knob.
7. If heater fails to light, or does not stay lit, repeat steps 2 through 6.
8. When the center burner panel stays lit, turn the valve knob to the desired setting.

Shut Down Instructions:

1. Turn valve knob to the **OFF** position.
2. Turn the knob at the LP cylinder **CLOCKWISE** to the OFF position.
3. Disconnect regulator hose assembly from the LP cylinder.



OPERATION (CONT.)

Test Firing Heater:

It is always a good idea to test fire your heater in a safe and controlled environment, in an area with adequate ventilation, and away from any combustibles to be sure that all functions of the heater and gas supply system are operating properly.

Leak test all gas connections with a 50/50 solution of dish soap and water. DO NOT use a flame to test for leaks!

Moving and Positioning the Heater:

There is a brake in each of the front wheels of your heater that helps keep it in place when in use. To engage the brakes, push the lever down on each wheel. To move the heater, release the brakes, simply by flipping the levers on both brakes up.

The gas must be turned off at the propane supply cylinders(s) when the heater is not in use.

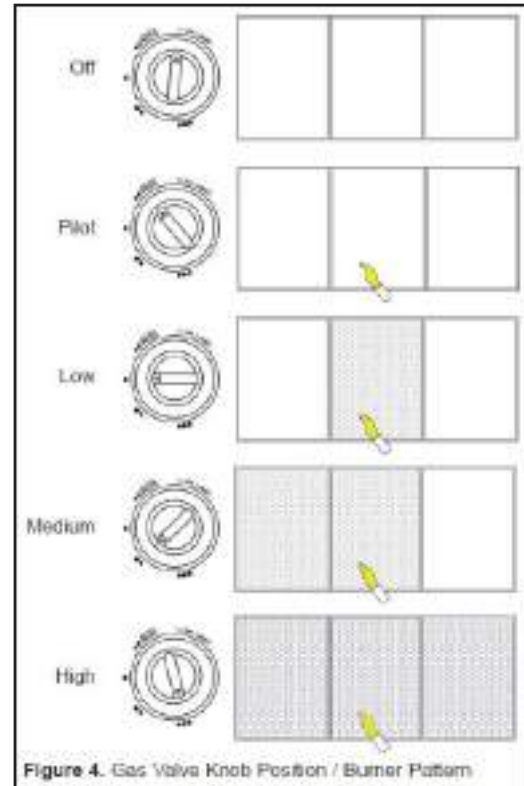


Figure 4. Gas Valve Knob Position / Burner Pattern

⚠ DANGER

CARBON MONOXIDE POISONING MAY LEAD TO DEATH!

VENTILATION

- **Risk of indoor air pollution and Carbon Monoxide Poisoning. Use heater only in well ventilated areas.**
- **Refer to Safety Information on pages 2-3 for information about Carbon Monoxide Poisoning.**
- **ALWAYS** provide a fresh air opening in the heated space of at least 3 square feet (2,800 sq. cm) for each 100,000 BTU / Hr. of heater output. Provide a larger opening if more heaters are being used.
- **FOR INDOOR USE PERMITTED ONLY FOR:** The temporary heating of adequately ventilated buildings or structures under construction, alteration or repair.

Minimum Ventilation Opening Needed

MHA18B/MHA18BN/MHA18BN-CA

0.54 ft.²

501.7 cm²

⚠ DANGER

Not for use in residential living areas or in non-adequately ventilated enclosed spaces.



1 (844) 538-7890

support@gaslandchef.com

www.gaslandchef.com

3330-A Marathon Ct Charleston, SC 29418

STORAGE / MAINTENANCE

Always disconnect the LP cylinder from the regulator assembly and remove the LP cylinder from the heater before putting the heater into storage. If, for any reason, the heater is to be stored indoors, the heater **MUST** be disconnected from the LP cylinder, and the cylinder stored outdoors in a well-ventilated area, out of the reach of children, and in accordance with the Standard for Storage and Handling of Liquefied Gasses, ANSI/NFPA 58 and Natural Gas and Propane Installation Code, CSA B149.1- latest edition. The plastic valve plug or valve cover supplied with the LP cylinder must be reinstalled on the valve to protect the fitting from damage.

NOTE: Repair of this heater should be done by a qualified service person.

It is recommended that you save all of the packaging materials that came with your heater, and re-package the heater using these materials for safe storage.

Debris, dust and dirt inside of the heater body can affect the performance of your heater. This debris can impair the heaters ability to draw air for ventilation and combustion. Spiderwebs can also appear during periods of inactivity.

Be sure to inspect the heater before each use to look for any such obstructions. Be sure to keep the air passage-ways, burner and combustion areas clean. Wipe with a damp cloth or use a vacuum cleaner to clean these areas. It is suggested that you perform a thorough cleaning at least once every 30 days of operation. You may need to clean the heater more often if conditions are naturally dirty. Clean the heater, including special surfaces, with recommended cleaning agents, if necessary.

Clean the ceramic plaques using compressed air below 30 PSI to prevent damage to plaques.

A yellow tip of the pilot flame indicates that the burner area may be in need of cleaning.

DANGER

Never store an LP cylinder inside of a building or near any other gas or oil burning appliances.

CAUTION

Always be sure that the heater has been allowed to cool for at least 30 minutes before attempting to store, service, or perform maintenance.

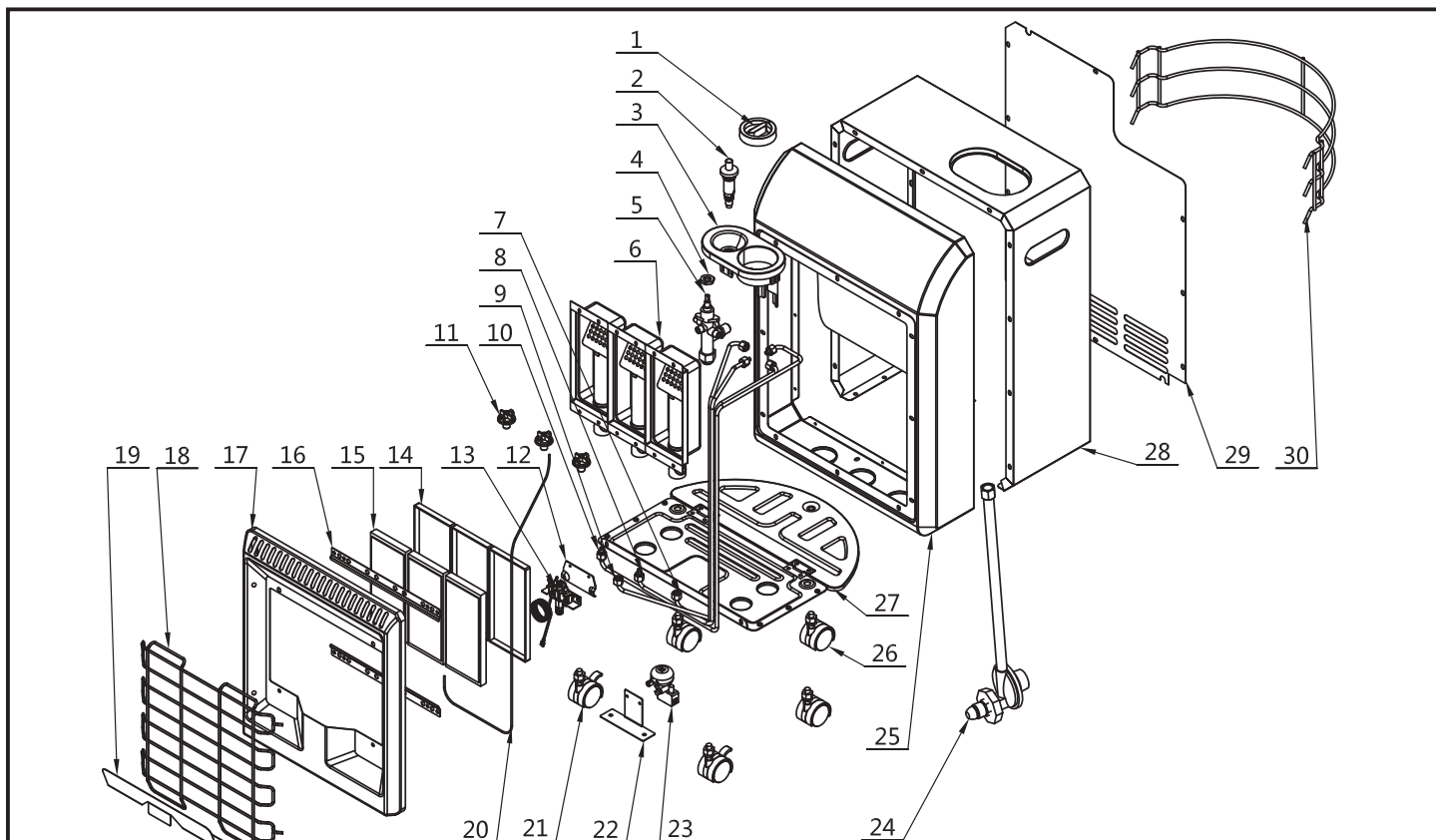


TROUBLESHOOTING GUIDE

Problem	Possible Cause	Solution
Burner fails to ignite	<ol style="list-style-type: none"> 1. Air in gas line 2. Gas pressure from cylinder too low. 3. LP cylinder valve turned off 4. Obstruction in air passageway. 5. Dirt in pilot orifice. 6. Safety switch in cylinder valve engaged. 7. Tipover switch engaged. 	<ol style="list-style-type: none"> 1. Keep depressing the gas control knob for at least 30 seconds to remove any in line. 2. Check LP cylinder pressure. Tank may be empty. 3. Open LP cylinder valve. 4. Inspect and clean heater housing. 5. Blow out, or clean pilot orifice. 6. Close LP cylinder valve. Wait 1 min. for switch to click off. Reopen LP cylinder valve slowly. 7. Move heater to a level surface.
No spark created when ignited	<ol style="list-style-type: none"> 1. Incorrect igniter electrode position. 2. Electrode damaged or broken. 3. Loose or disconnected igniter wire. 4. Broken igniter wire. 	<ol style="list-style-type: none"> 1. Properly position electrode 2. Replace the electrode. 3. Tighten or reconnect loose wire. 4. Replace igniter wire.
Heater stops running by itself	<ol style="list-style-type: none"> 1. Thermocouple damaged 2. Gas control valve damaged. 3. Gas leak 4. Thermocouple not in contact with pilot flame. 5. Tip-over switch damaged, or loose connection at tip-switch. 6. Out of fuel. 	<ol style="list-style-type: none"> 1. Replace entire heater 2. Replace gas control valve. 3. Check all connections for leaks using 50/50 solution of dish soap and water. Repair any leaks found. 4. Clean inside of heater housing. 5. Inspect tip-over switch and connections. Replace if necessary. 6. Replace LP cylinder



EXPLODED VIEW



No. Part

- 1 Switch
- 2 Piezo Ignition
- 3 Switch Base
- 4 Top Nut
- 5 Valve
- 6 Burner
- 7 3rd Setting Copper Pipe System

- 8 1st Setting Copper Pipe System
- 9 ODS Copper Pipe
- 10 2nd Setting Copper Pipe System
- 11 Nozzle Base
- 12 ODS Base
- 13 20341 ODS
- 14 Seal Ring

- 15 Ceramic Plate
- 16 Pressed Clip
- 17 Reflecting Plate
- 18 Protective Guard
- 19 Small Baffle Plate
- 20 Ignition Line
- 21 Castor with Brake
- 22 Anti Tilt Base
- 23 Anti Tilt

- 24 Regulator with Hose
- 25 Front Panel
- 26 Castor
- 27 Bottom Panel
- 28 Body Panel
- 29 Insulation Panel
- 30 Protective Guard

PARTS LIST

Item #	Description	MHA18B/MHA18BN/MHA18BN-CA
21	Front Caster	50-011-0300
26	Rear Caster	50-011-0305
2	Piezo Button	50-014-0100
30	Protective Guard	50-012-0260



LIMITED WARRANTY

GASLAND warrants this heater to the original retail purchaser only, to be free from defects in material and workmanship for a period of one (1) year from the date of initial purchase.

This product must be properly installed, maintained and operated in accordance with the instructions provided.

GASLAND requires reasonable proof of your date of purchase from an authorized retailer or distributor. Therefore, you should keep your sales slip, invoice or cancelled check from the original purchase.

This Limited Warranty shall be limited to the repair or replacement of parts, which prove defective under normal use and service within the warranty period, and which **GASLAND** shall determine at its reasonable discretion.

This warranty does not apply to products purchased for rental use.

This Limited Warranty does not cover any failures or operating difficulties due to normal wear and tear, accident, abuse, misuse, alteration, misapplication, improper installation or improper maintenance and service by you or any third party. Failure to perform normal and routine maintenance on the heater, shipping damage, damage related to insects, birds or animals of any kind, and damage due to weather conditions are also not covered.

In addition, the Limited Warranty does not cover damage to the finish, such as scratches, dents, discoloration, rust or other weather damage, after purchase.

All transportation costs for the return of damaged product or parts will be the responsibility of the purchaser. Upon receipt of damaged item, **GASLAND** will examine the item and determine if defective. **GASLAND** will repair or replace and return the item, freight pre-paid.

If **GASLAND** finds the item to be in normal operating condition, or not defective the item will be returned freight collect. This Limited Warranty is in lieu of all other express warranties. **GASLAND** disclaims all warranties for products that are purchased from sellers other than authorized dealers or distributors.

AFTER THE PERIOD OF THE ONE (1) YEAR EXPRESS WARRANTY EXPIRES, **GASLAND** DISCLAIMS ANY AND ALL IMPLIED WARRANTIES, INCLUDING WITHOUT LIMITATION THE IMPLIED WARRANTIES OF MERCHANTABILITY AND FITNESS


FOR A PARTICULAR APPLICATION. FURTHER, **GASLAND** SHALL HAVE NO LIABILITY WHATSOEVER TO PURCHASER OR ANY THIRD PARTY

FOR ANY SPECIAL, INDIRECT, PUNITIVE INCIDENTAL, OR CONSEQUENTIAL DAMAGES. **GASLAND** assumes no responsibility for any defects caused by third parties. This Limited Warranty gives the purchaser specific legal rights; a purchaser may have other rights depending upon where he or she lives. Some states do not allow the exclusion or limitation of special, incidental or consequential damages, or limitations on how long a warranty lasts, so the above exclusion and limitations may not apply to you.

GASLAND does not authorize any person or company to assume for it any other obligation or liability in connection with the sale, installation, use, removal, return or replacement of its equipment, and no such representations are binding on **GASLAND**

Always be sure to specify the model number and serial number when making any claim with **GASLAND**. For your convenience, use the space provided below to list this information.



 1 (844) 538-7890

 support@gaslandchef.com

 www.gaslandchef.com

 3330-A Marathon Ct Charleston, SC 29418

GASLAND **outdoors**

1 (844)538-7890

www.gaslandchef.com



GASLAND outdoors

MODELO N.º

MHA18B/MHA18BN/MHA18BN-CA

CONSUMIDOR: LEA Y GUARDE ESTAS INSTRUCCIONES PARA USARLAS EN EL FUTURO



⚠ PELIGRO

ADVERTENCIA GENERAL DE PELIGRO:

SI NO CUMPLE CON LAS PRECAUCIONES Y LAS INSTRUCCIONES QUE SE LE PROPORCIONAN CON ESTE CALENTADOR, PUEDE PROVOCAR LA MUERTE, LESIONES CORPORALES GRAVES Y DAÑOS MATERIALES O DAÑOS POR PELIGRO DE INCENDIO, EXPLOSIÓN, QUEMADURAS, ASFIXIA, INTOXICACIÓN POR MONÓXIDO DE CARBONO O DESCARGA ELÉCTRICA. ESTE CALENTADOR SOLAMENTE LO DEBEN USAR O DARLE MANTENIMIENTO PERSONAS QUE PUEDAN COMPRENDER Y SEGUIR LAS INSTRUCCIONES. SI NECESITA AYUDA O INFORMACIÓN SOBRE EL CALENTADOR, COMO UN MANUAL DE INSTRUCCIONES, ETIQUETAS, ETC., PÓNGASE EN CONTACTO CON EL FABRICANTE.

⚠ ADVERTENCIA

PELIGRO DE INCENDIO, QUEMADURAS, INHALACIÓN Y EXPLOSIÓN.

MANTENGA LOS COMBUSTIBLES

SÓLIDOS, COMO MATERIALES DE CONSTRUCCIÓN, PAPEL O CARTÓN, A UNA DISTANCIA PRUDENTE DEL CALENTADOR SEGÚN LO RECOMIENDAN ESTAS INSTRUCCIONES. NUNCA USE EL CALENTADOR EN ESPACIOS QUE CONTENGAN O PUEDAN CONTENER COMBUSTIBLES VOLÁTILES O SUSPENDIDOS EN EL AIRE NI PRODUCTOS COMO GASOLINA, DISOLVENTES, SOLVENTES DE PINTURA, PARTÍCULAS DE POLVO O SUSTANCIAS QUÍMICAS DESCONOCIDAS. MANTENGA TODOS LOS MATERIALES COMBUSTIBLES, GASOLINA Y OTROS VAPORES Y LÍQUIDOS INFLAMABLES LEJOS DE ESTE CALENTADOR.

ID de fábrica: 525



Este calentador está diseñado y aprobado para uso en construcciones de acuerdo con la norma ANS Z83.7 * CSA 2.14-2017 para calentadores para construcción a gas. CONSULTE CON LAS AUTORIDADES DE PREVENCIÓN DE INCENDIOS DE SU LOCALIDAD SI TIENE ALGUNA DUDA SOBRE EL USO DE ESTE CALENTADOR. Otras normas rigen el uso de gases combustibles y productos de calefacción para usos específicos. Sus autoridades locales pueden asesorarle sobre esas normas.

ÍNDICE

Información de seguridad.....	2-5	Ventilación.....	10
Especificaciones.....	5	Almacenamiento y mantenimiento.....	11
Características.....	6	Guía de solución de problemas.....	12
Qué hay en la caja.....	6	Vista de tallada / Lista de piezas.....	13
Desempaque.....	6	Garantía.....	14
Armado.....	7		
Funcionamiento.....	8-10		

INFORMACIÓN DE SEGURIDAD

⚠ PELIGRO **Riesgo de inhalación de monóxido de carbono** Este calentador produce monóxido de carbono, que es un gas inodoro. Encender el calentador en un espacio cerrado puede ocasionarle la muerte. Nunca use el calentador en espacios cerrados, como tiendas de campaña, remolques, cualquier tipo de vehículo (entre ellos, vehículos de uso recreativo), albergues cerrados o cualquier otra área cerrada.

⚠ PELIGRO Si no sigue la información de este manual al pie de la letra, puede producirse un incendio o una explosión que provoquen daños materiales, lesiones físicas o pérdida de la vida.

⚠ PELIGRO No debe usarse en áreas habitables residenciales ni en espacios cerrados con ventilación inadecuada. Nunca ingrese o almacene un tanque de propano en espacios interiores.

⚠ ADVERTENCIA **NO DEBE USARSE EN CASAS NI EN VEHÍCULOS DE USO RECREATIVO.**

⚠ ADVERTENCIA **NO USE ESTE CALENTADOR HASTA HABER LEÍDO Y COMPRENDIDO TOTALMENTE ESTAS INSTRUCCIONES DE SEGURIDAD Y OPERACIÓN.** El no cumplir con las precauciones e instrucciones proporcionadas con este calentador puede resultar en muertes, lesiones graves, daños materiales o daños por peligro de incendio, explosiones, quemaduras, asfixia o envenenamiento por monóxido de carbono. Solamente personas que puedan leer y comprender estas instrucciones deben usar o dar servicio a este calentador.

⚠ ADVERTENCIA Este es un calentador portátil sin ventilación. La unidad utiliza el aire (oxígeno) del espacio donde se usa. Será necesario suministrar suficiente aire para la combustión y la ventilación. Consulte VENTILACIÓN en la página 9.

⚠ ADVERTENCIA **EXTREMADAMENTE CALIENTE CUANDO LA UNIDAD ESTÁ ENCENDIDA.** No toque los elementos metálicos mientras esté encendida la unidad. Mantenga todos los materiales combustibles, gasolina y otros vapores y líquidos inflamables lejos de este calentador.

⚠ ADVERTENCIA: Este producto puede exponerlo a sustancias químicas, incluyendo plomo, conocidas en el estado de California como causantes de cáncer y defectos de nacimiento u otros daños reproductivos. Si desea más información, visite www.P65Warnings.ca.gov.



INFORMACIÓN DE SEGURIDAD (CONTINUÍA)

⚠️ ADVERTENCIA

¡RIESGO DE CONTAMINACIÓN DEL AIRE INTERIOR!

Los productos descritos en este manual son calentadores de aire forzado de fuego directo de gas propano. Los calentadores de aire forzado de propano están hechos expresamente para calefacción temporal de edificios en construcción, modificación o reparación. Fuego directo significa que todos los productos de combustión del calentador ingresan en el espacio calentado. Este aparato tiene una clasificación de 98% de eficiencia de combustión, pero produce pequeñas cantidades de monóxido de carbono.

El monóxido de carbono es tóxico. Los seres humanos solo pueden tolerar pequeñas cantidades de monóxido de carbono, así que deben tomarse las medidas de precaución necesarias para suministrar una ventilación adecuada. No proporcionar la ventilación adecuada de acuerdo con este manual puede ocasionar la muerte.

⚠️ PELIGRO

¡LA INTOXICACIÓN POR MONÓXIDO DE CARBONO PUEDE CONducIR A LA MUERTE!

Las personas con problemas respiratorios deben consultar con un médico antes de usar el calentador.

Los primeros síntomas de envenenamiento por monóxido de carbono se parecen a los de la gripe. Los síntomas de ventilación inadecuada o envenenamiento por monóxido de carbono son:

Dolor de cabeza • Mareo • Náusea • Boca seca
Dolor de garganta • Irritación de la nariz y los ojos

Si tiene alguno de estos síntomas:

¡SALGA AL AIRE LIBRE DE INMEDIATO! Haga revisar su calentador y compruebe que la ventilación sea la adecuada. Algunas personas se ven más afectadas que otras por el monóxido de carbono. Por ejemplo: mujeres embarazadas, personas con problemas pulmonares o cardíacos, anemia o bajo la influencia del alcohol o en grandes altitudes.

PARA USO EN INTERIORES SÓLO : Debe suministrarse la ventilación adecuada de acuerdo con OSHA 29 CFR 1926.154, los requisitos de seguridad para los dispositivos y equipos portátiles de calefacción temporal ANSI A10.10, ANSI Z223.1/NFPA 54, el Código de gas licuado de petróleo NFPA 58 o el Código de instalación de gas natural y propano CAN B149.1, según corresponda.

QUÉ HACER SI PERCIBE OLOR A GAS:

- **NO trate de encender el calentador.**
- **Apague toda clase de flama abierta.**
- **Cierre el suministro de gas del calentador.**

⚠️ PELIGRO

EL PROPANO ES UN GAS EXPLOSIVO.

- **Si continúa el olor, póngase en contacto con la empresa de gas o el departamento de bomberos de su localidad.**
- **NO toque ni utilice interruptores de electricidad ni dispositivos eléctricos que pudieran provocar una chispa.**
- **Llame inmediatamente a la empresa de gas desde el teléfono de un vecino. Siga las instrucciones de la empresa de gas.**
- **Si no puede comunicarse con la empresa de gas, llame al departamento de bomberos.**
- **Solo una dependencia de servicio calificada puede hacer la reparación.**

NUNCA almacene ni use gasolina ni otros vapores y líquidos inflamables en las cercanías de este aparato.

NUNCA almacene tanques de propano (LP) que no se encuentren conectados a este calentador en los alrededores del mismo.

NUNCA conecte el calentador a un suministro de gas

⚠️ ADVERTENCIA

¡RIESGO DE QUEMADURAS, INCENDIO Y EXPLOSIÓN!

no regulado.

NUNCA obstruya el flujo del aire de combustión y ventilación.

NUNCA use conductos en la parte frontal o posterior del calentador.

NUNCA modifique el calentador ni utilice un calentador que haya sido modificado.

NUNCA dé servicio, mueva ni manipule el calentador mientras está caliente o funcionando.

Mantenga todos los materiales combustibles, gasolina y otros vapores y líquidos inflamables lejos de este calentador.

Separación mínima entre el calentador y materiales combustibles

Frente	Lados	Superior
40 pulg. (1.02 m)	16 pulg. (0.41 m)	40 pulg. (1.02 m)



INFORMACIÓN DE SEGURIDAD (CONTINUÍA)

⚠️ ADVERTENCIA

¡PRECAUCIÓN! CALIENTE MIENTRAS ESTÉ EN FUNCIONAMIENTO. NO LO TOQUE. MANTENGA A NIÑOS, ANIMALES, ROPA Y COMBUSTIBLES LEJOS DEL CALENTADOR.

⚠️ ADVERTENCIA RIESGO PARA LA CALIDAD DEL AIRE

- No use este calentador para calentar las habitaciones de seres humanos
- El uso de calentadores de fuego directo en áreas de construcción puede dar lugar a la exposición a niveles de CO, CO₂ y NO₂ considerados peligrosos para la salud y potencialmente mortales
- No lo use en zonas no ventiladas
- Conozca los signos del envenenamiento por CO y CO₂
 - Dolor de cabeza, ardor de ojos
 - Mareo, desorientación
 - Dificultad para respirar, sensación de sofocación
- Debe haber un intercambio adecuado del aire de ventilación (OSHA 29 CFR 1926.57) para mantener la combustión y una calidad de aire aceptable de acuerdo con la norma OSHA 29 CFR Parte 1926.154, los requisitos de seguridad para dispositivos y equipos portátiles de calefacción temporal que se utilizan en la industria de la construcción ANSI A10.10 o los reglamentos de instalación de gas natural y propano CSA B149.1.
- Monitoree periódicamente los niveles de CO, CO₂ y NO₂ existentes en la obra de construcción, como mínimo al inicio del turno y después de 4 horas.
- Suministre un intercambio de aire de ventilación, ya sea natural o mecánico, según sea necesario para mantener una calidad aceptable del aire en el interior
- Asegúrese de que el flujo de combustión y el intercambio del aire de ventilación no puedan quedar obstruidos
- Es posible que sea necesario aumentar la ventilación mientras el edificio se "endurece" durante la fase de construcción

EE.UU. - Promedio de tiempo ponderado de 8 horas
(OSHA 29 CFR 1926.55 Ap. A)

CO	50 ppm
CO ₂	5000 ppm
NO ₂	

EE.UU. - Límite superior
(límite de exposición a corto plazo = 15 minutos)

CO	
CO ₂	
NO ₂	5 ppm

Canadá - Promedio de tiempo ponderado de 8 horas (Directrices de seguridad laboral WorkSafe BC de la OHS, Parte 5.1, y Reg. 833 para entornos laborales de Ontario)

25 ppm
5000 ppm
3 ppm (Reg. 833)

Canadá - Límite de exposición a corto plazo (STEL) (15 minutos Reg 833/1 hora WSBC) Directrices de seguridad laboral WorkSafe BC de la OHS, Parte 5.1, y Reg. 833 para entornos laborales de Ontario

100 ppm
15000 ppm (WSBC)
30000 ppm (Reg. 833)
1.0 ppm (WorkSafeBC)
5.0 ppm (Reg. 833)



☎ 1 (844) 538-7890

✉ support@gaslandchef.com

🛒 www.gaslandchef.com

📍 3330-A Marathon Ct Charleston, SC 29418

INFORMACIÓN DE SEGURIDAD (CONTINUÍA)

⚠️ ADVERTENCIA

Para usarse con gas propano (LP) únicamente.

- SIEMPRE instale el calentador de modo que no esté expuesto directamente a rocío de agua, lluvia, goteo de agua o viento.
- Utilice el calentador de acuerdo con todos los códigos locales y con CSA 5.90 U.S. (5.ª Ed.) Calentador infrarrojo para patio
- **Este calentador se envía de la fábrica para uso con gas LP (propano) únicamente.** No lo convierta a ningún otro gas. La instalación debe cumplir con los códigos locales o, a falta de ellos, con la norma para el almacenamiento y la manipulación de gases licuados de petróleo ANSI/NFPA 58 y el Código de instalación de gas natural y gas propano CSA B149.1.
- Las conexiones de suministro de gas deben revisarse usando una solución de 50/50 de agua y jabón. Nunca use una llama para verificar si hay fugas de gas

- Utilice únicamente el conjunto de regulador y manguera suministrado con este calentador. Inspeccione el conjunto del regulador y manguera antes de cada uso del calentador. Si está demasiado desgastado, o si la manguera está cortada, reemplace con el conjunto correcto mostrado en la lista de piezas, antes de usar el calentador. El conjunto de la manguera de reemplazo debe seguir las especificaciones del fabricante.
- Este calentador no se puede usar en pisos terminados.

Presión de entrada mínima y máxima

Modelo	MHA18B/MHA18BN/MHA18BN-CA
Mín.	5 PSI
Máx.	Presión de la botella

⚠️ ADVERTENCIA

El conjunto de la manguera

deberá estar protegido del tráfico, de material de construcción y de contacto con superficies calientes, tanto al usarse como al tenerlo almacenado.

⚠️ ADVERTENCIA

¡RIESGO DE INCENDIO! ¡COLÓQUELO SIEMPRE SOBRE UNA SUPERFICIE ESTABLE Y NIVELADA!

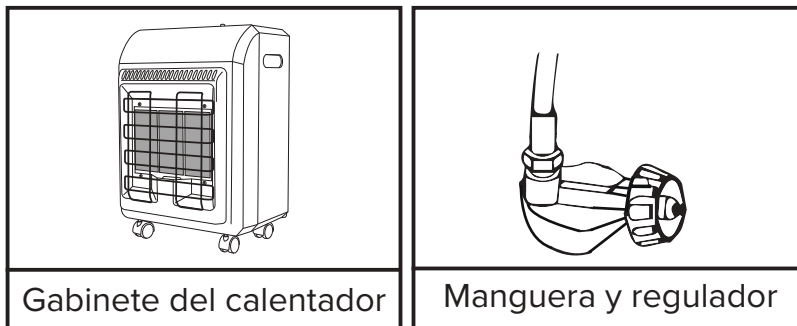
ESPECIFICACIONES

N.º de modelo	MHA18B/MHA18BN/MHA18BN-CA
BTU (kWh)	6,000 / 12,000 / 18,000 (1.9 / 3.5 / 5.3)
Consumo de combustible (lb/h)	0.29 / 0.57 / 0.86
Ajustes de calor	3
Horas máximas de funcionamiento	69 / 35 / 23
Lb requeridas del tanque	20
Tipo de combustible	Use SOLO un cilindro de gas LP de 9 kg (20 lb): 18" x 12.25"
Zona calentada (pies ²)	150 / 300 / 450

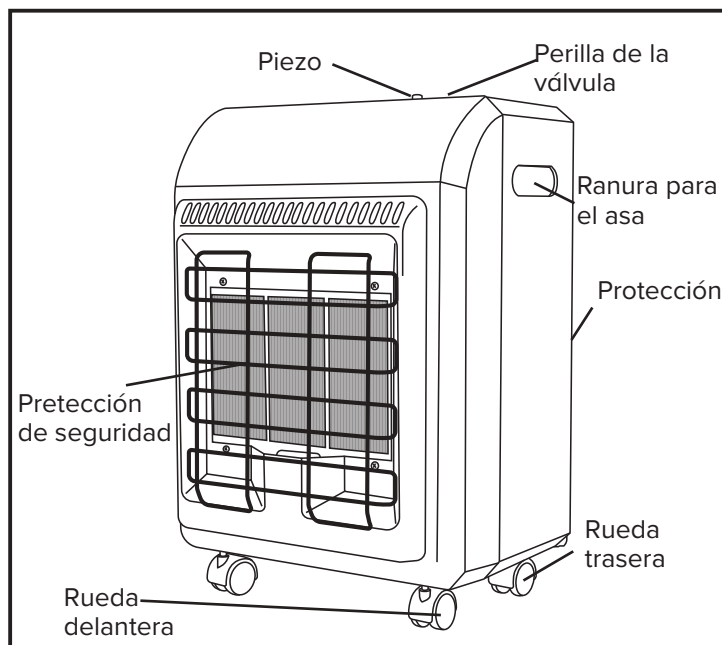
Las especificaciones pueden cambiar sin previo aviso.



QUÉ HAY EN LA CAJA



CARACTERÍSTICAS



DESEMPAQUE

1. Retire todos los materiales de empaque aplicados al calentador para su envío. Mantenga montadas las tapas de plástico en el conector de entrada y en el conjunto del regulador y manguera cuando almacene la unidad.
2. Retire todos los artículos de la caja de envío.
3. Inspeccione todos los artículos por si tuvieran daños por el envío. Si el calentador está dañado, informe de inmediato al concesionario a quien compró el calentador sobre dicho daño.

⚠ ATENCIÓN

El conjunto de la manguera y el regulador de presión del gas Propano (LP) suministrado con este calentador debe utilizarse sin hacerle ninguna modificación.



☎ 1 (844) 538-7890

✉ support@gaslandchef.com

🛒 www.gaslandchef.com

📍 3330-A Marathon Ct Charleston, SC 29418

ARMADO

1. Coloque el calentador sobre una superficie plana.
2. Doble hacia abajo la bandeja del tanque de propano (vea la Figura 1)
3. Fije la Cubierta Posterior.
4. Examine el calefactor en detalle por si presenta algún daño que se pueda haber producido en el transporte. Si existen daños, devuelva el calefactor al punto de compra.

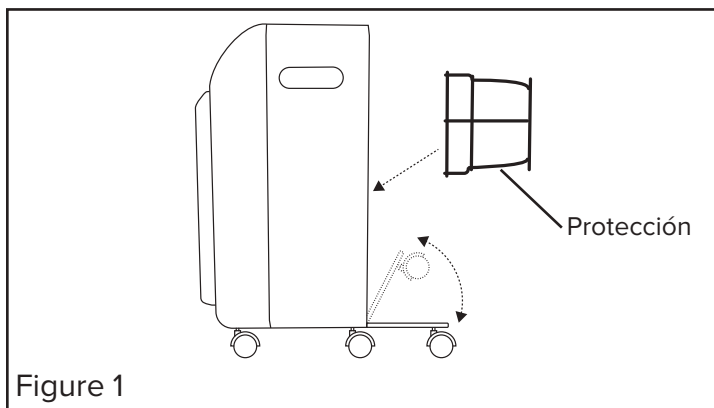
Conexión al suministro de gas

¡IMPORTANTE! - Use siempre un tanque de gas propano (LP) que tenga un dispositivo de conexión compatible con la manguera y el conjunto del regulador suministrado.

1. Retire la cubierta trasera deslizándola en línea recta hacia arriba y alejándola del cuerpo del calentador. Coloque el tanque de LP en la placa base y vuelva a colocar la cubierta trasera.
2. Para conectar el tanque de LP, inserte la unión del extremo del regulador en la válvula del tanque, gire la tuerca de acoplamiento hacia la derecha y apriete firmemente (vea la Figura 2).
3. Abra lentamente la válvula del tanque de propano. Si no abre lentamente la válvula, la válvula de no retorno de flujo excesivo en el regulador detendrá el flujo de gas. Si esto llegara a ocurrir, cierre la válvula, espere un minuto (o hasta que escuche que la válvula hace clic) y vuelva a abrirla lentamente.
4. Asegúrese de inspeccionar todas las conexiones para verificar si hay fugas con una solución de partes iguales de detergente para platos y agua en todas las conexiones. Cualquier burbuja que se forme indica una fuga.

⚠ ATENCIÓN El conjunto de la manguera y el regulador de presión del gas Propano (LP) suministrado con este calentador debe utilizarse sin hacerle ninguna modificación.

⚠ ATENCIÓN Asegúrese de inspeccionar la manguera del regulador antes de cada uso. Si la manguera está cortada o deshilachada, reemplácela con el conjunto sugerido por el fabricante.



FUNCIONAMIENTO

Suministro de propano/información: Propano (LP)

Este calentador no se entrega con tanque de propano. Use únicamente un tanque de propano aprobado.

Características del LP

- Inflamable, explosivo bajo presión, más pesado que el aire y se acumula en niveles bajos.
- En su estado natural, el propano no tiene olor pero, por seguridad, se le añade un aroma que huele a repollo podrido.
- El contacto del gas propano (LP) con la piel puede producirle quemaduras por congelación.
- El calentador está fabricado para usarse sólo con gas LP. NO trate de hacerle una conversión para algún otro gas. Dichas modificaciones son peligrosas y anularán la garantía.
- Cuando no se use el calentador debe cerrarse el suministro del tanque de LP.
- Asegúrese de que el tanque de LP se encuentre en una superficie estable y nivelada.
- NO utilice este calentador en un sótano o por debajo del nivel del suelo. El propano es más pesado que el aire y siempre busca el nivel más bajo. Si sospecha de una fuga, cierre la válvula en el tanque de LP inmediatamente.

El tanque de gas propano (LP) también debe estar equipado con lo siguiente:

- Un anillo para proteger la válvula de gas.
- Una válvula de corte conectada en la salida de la válvula del tanque de LP, según la especificación de la Norma Nacional Americana para la conexión de entradas y salidas de válvulas de tanques de gas comprimido.
- Una válvula de escape de seguridad con comunicación directa con el espacio de vapor del tanque de LP.
- El calentador debe funcionar con recuperación del vapor del tanque.
- Siempre mantenga el tanque de LP firmemente sujeto y en posición vertical.

⚠ ATENCIÓN

El propano es seguro para usar cuando se manipula correctamente.

La manipulación negligente del tanque de LP podría resultar en un incendio o una explosión.

- Evite inclinar el tanque de LP hacia un lado cuando esté conectado a un regulador, ya que eso podría causar daño al diafragma en el regulador.
- Trate las válvulas con cuidado.

- Nunca conecte un tanque de LP no regulado en un calentador para construcción.
- NO someta el tanque de LP a un calor excesivo.
- Cierre firmemente la válvula de corte de gas en el tanque de LP después de cada uso.
- Todas las uniones deben protegerse cuando estén desconectadas del tanque de LP.
- Nunca almacene un tanque de LP dentro de un edificio o cerca de cualquier aparato que queme gas.

⚠ ATENCIÓN

El tanque desconectado nunca debe

almacenarse en un edificio, garaje o cualquier otra área cerrada.

Instrucciones antes del encendido:

Conexión del tanque de LP

TODO TANQUE NUEVO DE LP DEBE PURGARSE ANTES DE LLENARLO POR PRIMERA VEZ.

- Gire la perilla de control de gas del calentador y la válvula del tanque de LP a la posición OFF (apagado).
- Las válvulas del tanque de LP equipadas con una unión de estilo antiguo tienen ROSCAS A LA IZQUIERDA. Gire la unión HACIA LA DERECHA para aflojarla. Proteja esta unión cuando esté desconectada del tanque de LP.
- Haga que su distribuidor de gas propano le llene su tanque de LP.
- Algunos tanques de LP tienen una válvula de purga. Debe inspeccionar esta válvula para ver si tiene fugas después de cada vez que se llene el tanque de LP. Gire la válvula hacia la derecha para cerrarla.
- Sujete el tanque de propano lleno y conecte la unión adecuada en la válvula del tanque de LP, girándola HACIA LA IZQUIERDA.
- Con la perilla de control de gas del calentador en la posición OFF (Apagado), abra la válvula del tanque de LP y revise que no haya fugas usando una solución de jabón.

⚠ ADVERTENCIA

Las acciones de purga y llenado

de los tanques de LP deben ser realizadas por personal que esté ampliamente capacitado en los procedimientos aceptados de la industria de gas LP. El incumplimiento de estas instrucciones podría resultar en explosión, incendio, lesiones personales graves o la muerte.



☎ 1 (844) 538-7890

✉ support@gaslandchef.com

🛒 www.gaslandchef.com

📍 3330-A Marathon Ct Charleston, SC 29418

FUNCIONAMIENTO (CONTINUÍA)

Inspección de fugas

- Para verificar si hay fugas, prepare una solución mitad detergente para platos y mitad agua. Aplique esta solución en todas las conexiones de gas. Si aparecen burbujas, hay una fuga. Si encuentra una fuga, cierre el suministro de gas y vuelva a conectar la conexión que presentaba la fuga. Si aún persiste la fuga después de varios intentos, comuníquese con el servicio de atención al cliente de GASLAND llamando al (844)538-7890.
- La instalación de su calentador debe cumplir con todos los códigos locales y/o requisitos de la compañía de servicio de gas. A falta de códigos locales, debe cumplirse con el Código Nacional de Combustibles ANSI Z223.1.
- Deberán mantenerse en todo momento las distancias mínimas de separación de materiales de construcción combustibles (vea la Página 3).
- Inspeccione el calentador antes de cada uso y por lo menos una vez al año por un técnico calificado.

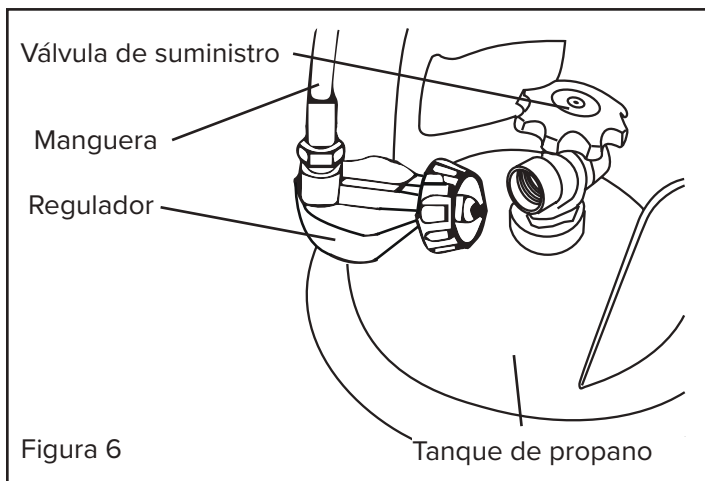


Figura 6

⚠ ADVERTENCIA

EXTREMADAMENTE CALIENTE cuando está encendido. No toque los elementos metálicos mientras esté encendida la unidad. Mantenga el calentador lejos de gasolina y otros líquidos inflamables.

Instrucciones de encendido:

1. ¡ALTO! Lea toda la información de seguridad que acompaña a este calentador.
2. Gire la válvula del tanque de propano hacia la IZQUIERDA hasta abrirla completamente.
3. Espere cinco (5) minutos para que el gas presente se disipe. Huela por si hubiera olor a gas. Si no es evidente que huelga a gas, continúe al siguiente paso.
4. Presione la perilla de la válvula y gírela hasta donde dice "PILOT".

NOTA: Si es el primer uso del calefactor o se ha sustituido el tanque de LP, sostenga la perilla de la válvula aproximadamente 30 segundos para que se purgue el aire del sistema y luego gire la perilla hasta donde dice "PILOT".

5. Mientras presiona la perilla de la válvula, presione el botón de encendido piezoeléctrico rojo para que encienda. Tal vez sea necesario presionar varias veces el botón de encendido para que encienda el panel del quemador central.
6. Siga presionando la perilla de la válvula 30 segundos después de que se encienda el panel. Esto calentará el termopar. Luego de transcurridos 30 segundos, suelte la perilla de la válvula.
7. Si el calentador no se enciende o no se mantiene encendido, repita los pasos 2 a 6.
8. Cuando el panel del quemador central se mantenga encendido, gire la perilla de la válvula al ajuste deseado.

Instrucciones de apagado:

1. Gire la perilla de la válvula a la posición **OFF** (Apagado).
2. Gire A LA DERECHA la perilla en el tanque de LP, hacia la posición OFF (Apagado).
3. Desconecte el conjunto de la manguera del regulador del tanque de LP.



FUNCIONAMIENTO (CONTINÚA)

Intente encender el calentador:

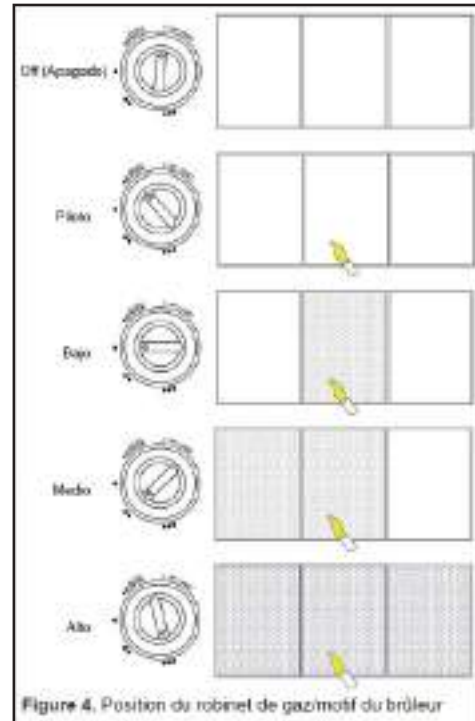
Siempre es buena idea intentar encender el calentador en un entorno seguro y controlado, en una zona con ventilación adecuada y lejos de cualquier combustible, para estar seguro de que todas las funciones del sistema de calentador y suministro de gas funcionan adecuadamente.

Realice una prueba de fugas en todas las conexiones de gas con una solución partes iguales de detergente para platos y agua. NO use un fósforo o una llama para comprobar si hay fugas.

Cómo mover y ubicar el calentador:

Existe un freno en cada una de las ruedas delanteras de su calentador que ayuda a mantenerlo en su lugar mientras lo usa. Para acoplar los frenos, empuje la palanca hacia abajo en cada rueda. Para mover el calentador, suelte los frenos simplemente moviendo hacia arriba las palancas en ambos frenos.

Cuando no se use el calentador, debe cerrarse el suministro en los cilindros de propano.



PELIGRO

¡LA INTOXICACIÓN POR MONÓXIDO DE CARBONO PUEDE CONDUCIR A LA MUERTE!

VENTILACIÓN

- **Riesgo de contaminación del aire interior y de envenenamiento por monóxido de carbono. Utilice el calentador sólo en áreas bien ventiladas.**
- **Consulte la Información de seguridad en las páginas 2-3 acerca del envenenamiento por monóxido de carbono.**
- **SIEMPRE** provea una abertura para aire fresco en el espacio que caliente de por lo menos 3 pies cuadrados (0.28 m²) por cada 100,000 BTU / h (29 kWh) de emisión del calentador. Si utiliza más calentadores, provea una abertura más grande.
- EL USO EN INTERIORES SÓLO SE PERMITE PARA: Calefacción temporal de edificios adecuadamente ventilados o estructuras en construcción, modificación o reparación.

Abertura de ventilación mínima necesaria

MHA18B/MHA18BN/MHA18BN-CA

0.54 pies²

502 cm²

PELIGRO

No debe usarse en áreas habitables residenciales ni en espacios cerrados con ventilación inadecuada.



1 (844) 538-7890

support@gaslandchef.com

www.gaslandchef.com

3330-A Marathon Ct Charleston, SC 29418

ALMACENAMIENTO / MANTENIMIENTO

Siempre desconecte el tanque de LP del conjunto del regulador y retire el tanque de LP del calentador antes de almacenar el calentador. Si por cualquier razón ha de almacenarse el calentador en un lugar bajo techo, primero DEBE desconectarlo del tanque de LP y almacenarlo en un área exterior bien ventilada y fuera del alcance de los niños, de acuerdo con la más reciente edición de la Norma para el almacenamiento y la manipulación de gases licuados, ANSI/NFPA 58 el Código de instalación de gas natural y propano CAN B149.1. Se debe reinstalar el tapón de plástico o la cubierta de la válvula del tanque de LP para proteger la unión contra daños.

NOTA: La reparación del calentador la debe realizar un técnico de servicio calificado.

Se recomienda que guarde todos los materiales de empaque que venían con el calentador y que lo reempaque usando los mismos materiales para su almacenamiento seguro.

Los residuos, el polvo y la mugre dentro del cuerpo del calentador pueden afectar el rendimiento de su calentador. Estos residuos pueden perjudicar la capacidad del calentador para extraer aire para la ventilación y la combustión. También pueden aparecer telarañas durante periodos de inactividad.

Asegúrese de inspeccionar el calentador antes de cada uso para buscar cualquier obstrucción. Asegúrese de mantener limpios los pasajes de aire, el quemador y las áreas de combustión. Limpie con un paño húmedo o use una aspiradora para limpiar estas áreas. Se sugiere que realice una limpieza detallada por lo menos una vez cada 30 días de funcionamiento. Tal vez necesite limpiar el calentador con más frecuencia si las condiciones son sucias por naturaleza. Si fuera necesario, limpie el calentador, incluyendo las superficies especiales, con agentes de limpieza recomendados.

Limpie las placas cerámicas con aire comprimido a menos de 30 PSI para prevenir daños en las placas.

Una punta amarilla en la llama del piloto indica que la zona del quemador puede necesitar limpieza.

PELIGRO

Nunca almacene tanques de LP en el interior de edificios ni cerca de aparatos que quemen gas o aceite.

ATENCIÓN

Siempre asegúrese de que el calentador pueda enfriarse por lo menos 30 minutos antes de tratar de almacenarlo, darle servicio o mantenimiento.

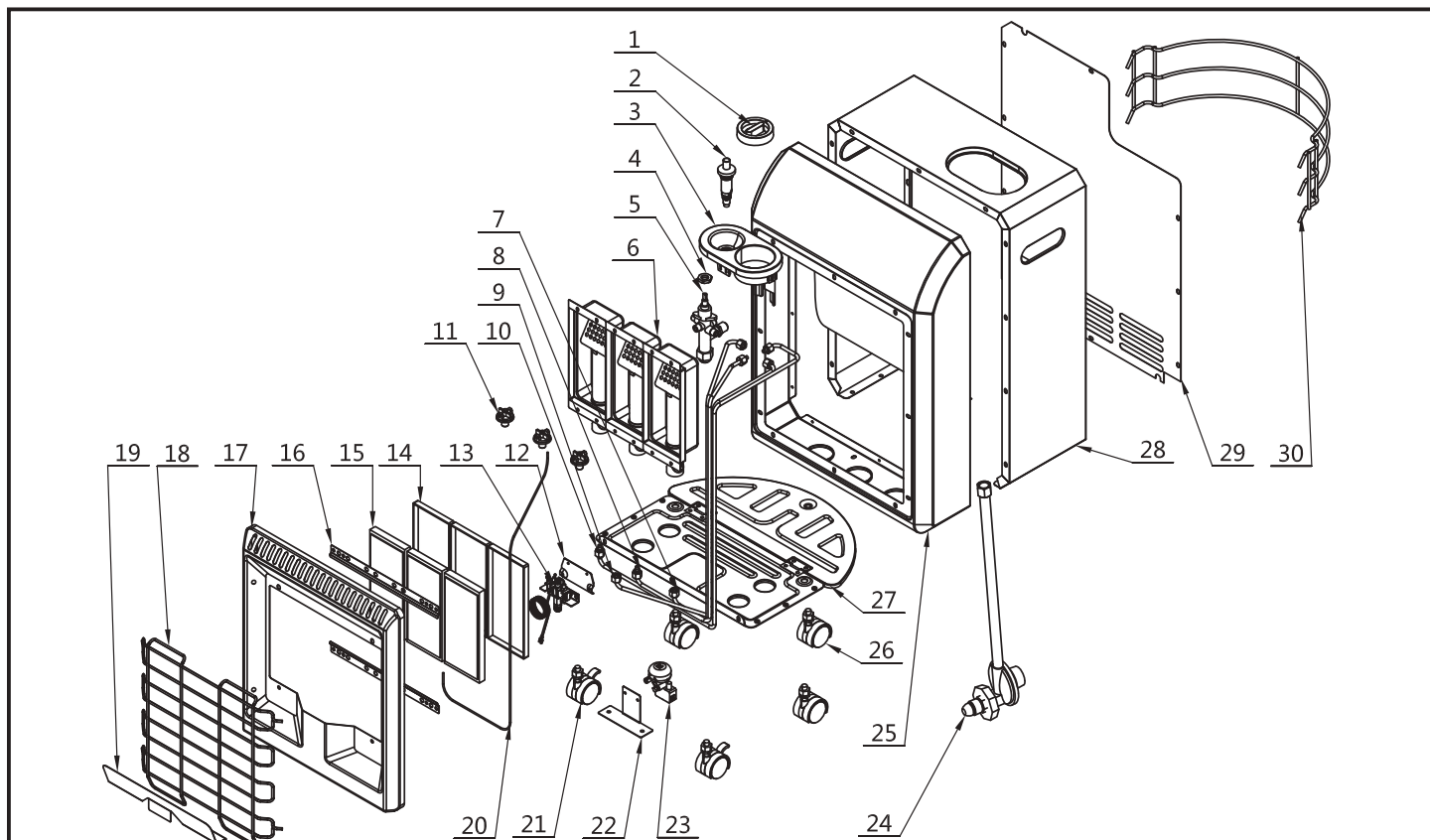


GUÍA PARA LA SOLUCIÓN DE PROBLEMAS

Problema	Posible causa	Solución
El quemador no enciende.	<ol style="list-style-type: none"> 1. Aire en la tubería de gas. 2. Presión de gas del cilindro demasiado baja. 3. Válvula del tanque de LP cerrada. 4. Obstrucción en el pasadizo de aire. 5. Mugre en el orificio del piloto. 6. Interruptor de seguridad acoplado en la válvula del cilindro. 7. Interruptor antivuelco acoplado. 	<ol style="list-style-type: none"> 1. Mantenga presionada la perilla de control de gas por lo menos 30 segundos para eliminar cualquier aire en la línea. 2. Verifique la presión del tanque de LP. El tanque puede estar vacío. 3. Abra la válvula del tanque de LP. 4. Inspeccione y limpie la cubierta del calentador. 5. Aplique aire o limpie el orificio del piloto. 6. Cierre la válvula del tanque de LP. Espere 1 minuto para que el interruptor haga clic. Abra de nuevo y lentamente la válvula del cilindro de LP. 7. Mueva el calentador a una superficie nivelada.
No se generó la chispa cuando se encendió.	<ol style="list-style-type: none"> 1. Posición incorrecta del electrodo del encendedor. 2. Electrodo dañado o roto. 3. Cable del encendedor suelto o desconectado. 4. Cable del encendedor roto. 	<ol style="list-style-type: none"> 1. Electrodo mal colocado. 2. Reemplace el electrodo. 3. Apriete o reconecte el cable suelto. 4. Reemplace el cable del encendedor.
El calentador se apaga solo.	<ol style="list-style-type: none"> 1. Termopar dañado. 2. Válvula de control de gas dañada. 3. Fuga de gas. 4. El termopar no tiene contacto con la llama del piloto. 5. Interruptor antivuelco dañado o conexión suelta en el interruptor antivuelco. 6. Combustible agotado. 	<ol style="list-style-type: none"> 1. Reemplace todo el calentador. 2. Reemplace la válvula de control de gas. 3. Use una solución de partes iguales de detergente para platos y agua en todas las conexiones para verificar si hay fugas. Repare cualquier fuga que encuentre. 4. Limpie el interior de la cubierta del calentador. 5. Inspeccione el interruptor antivuelco y las conexiones. Reemplace si fuera necesario. 6. Reemplace el tanque de LP.



VISTA DE TALLADA



No. Pieza

- | | | | |
|---|---|---------------------------------|---------------------------|
| 1 Interruptor | 8 Sistema de tubería de cobre del primer ajuste | 15 Placa cerámica | 23 Antivuelco |
| 2 Encendido piezoeléctrico | 9 Tubo de cobre ODS | 16 Sujetador colocado a presión | 24 Regulador con manguera |
| 3 Base del interruptor | 10 Sistema de tubería de cobre del segundo ajuste | 17 Placa reflectora | 25 Panel delantero |
| 4 Tuerca superior | 11 Base de la boquilla | 18 Protección | 26 Rueda |
| 5 Válvula | 12 Base ODS | 19 Placa deflectora pequeña | 27 Panel inferior |
| 6 Quemador | 13 ODS 20341 | 20 Línea de encendido | 28 Panel del cuerpo |
| 7 Sistema de tubería de cobre del tercer ajuste | 14 Anillo de sello | 21 Rueda con freno | 29 Panel de aislamiento |
| | | 22 Base antivuelco | 30 Protección |

LISTA DE PIEZAS

Pieza #	Descripción	MHA18B/MHA18BN/MHA18BN-CA
21	Rueda Delantera	50-011-0300
26	Rueda Trasera	50-011-0305
2	Botón del Piezoeléctrico	50-014-0100
30	Protección	50-012-0260



GARANTÍA LIMITADA

GASLAND garantiza este calentador únicamente al comprador minorista original, como libre de defectos en materiales y mano de obra por un periodo de un (1) año a partir de la fecha de la compra inicial. Este producto debe instalarse, mantenerse y usarse correctamente de acuerdo con las instrucciones suministradas.

GASLAND requiere un comprobante razonable de su fecha de compra a un minorista o distribuidor autorizado. Por lo tanto, debe conservar su recibo de venta, factura o cheque cancelado de la compra original. Esta Garantía Limitada se limitará a la reparación o reemplazo de piezas que resulten defectuosas en uso y servicio normales dentro del periodo de la garantía, lo cual determinará **GASLAND** a su discreción razonable.

Esta garantía no se aplica a los productos comprados para uso en alquiler.

Esta Garantía Limitada no cubre fallas o dificultades de funcionamiento debidas a uso y desgaste normales, accidente, abuso, uso inadecuado, modificación, mala aplicación, instalación inadecuada o mantenimiento y servicio inadecuados por usted o un tercero. Tampoco cubre el daño por falta de mantenimiento normal y de rutina al calentador, el daño en el envío, daño relacionado con insectos, aves o animales de cualquier tipo y daños causados por condiciones climáticas. Además, la Garantía Limitada no cubre daños en el acabado como rayones, abolladuras, decoloración, corrosión u otros daños causados por el clima después de la compra.

Todos los costos de transporte para devolver un producto o piezas dañadas serán responsabilidad del comprador. Previa recepción del artículo dañado, **GASLAND** examinará el artículo y determinará si está defectuoso. **GASLAND** reparará o reemplazará y devolverá el artículo, con el flete pagado por adelantado.

Si **GASLAND** descubre que el artículo está en condiciones normales de funcionamiento o que no está defectuoso, se devolverá el artículo con el flete por cobrar. Esta Garantía Limitada reemplaza a todas las demás garantías expresas. **GASLAND** desiste de todas las garantías de productos que se comprenden a vendedores que no sean distribuidores o concesionarios autorizados.

DESPUÉS DE QUE VENZA EL PERIODO DE UN (1) AÑO DE LA GARANTÍA EXPRESA, **GASLAND** DESISTE DE TODAS Y CADA UNA DE LAS GARANTÍAS IMPLÍCITAS, INCLUIDAS, SIN LIMITACIONES, LAS GARANTÍAS IMPLÍCITAS DE COMERCIALIZACIÓN Y APTITUD PARA UNA APLICACIÓN EN PARTICULAR. ADEMÁS, **GASLAND** NO TENDRÁ RESPONSABILIDAD ALGUNA ANTE EL COMPRADOR O CUALQUIER TERCERO POR DAÑOS ESPECIALES, INDIRECTOS, PUNITIVOS, INCIDENTALES O EMERGENTES. **GASLAND** no asume responsabilidad alguna por cualquier defecto ocasionado por terceros. Esta Garantía Limitada otorga al comprador derechos legales específicos; el comprador podría tener otros derechos, dependiendo de dónde viva. Algunos estados no permiten la exclusión o limitación de daños especiales, incidentales o emergentes o limitaciones a la duración de una garantía, así que la exclusión y las limitaciones anteriores podrían no aplicarse en su caso.

GASLAND no autoriza a persona o compañía alguna a asumir por ella alguna otra obligación o responsabilidad relacionada con la venta, instalación, uso, retiro, devolución o reemplazo de su equipo, y ninguna declaración de tal índole es vinculante para **GASLAND**

Asegúrese siempre de especificar el número de modelo y número de serie cuando haga alguna reclamación a **GASLAND**. Para su comodidad, use el espacio de abajo para indicar esta información.



☎ 1 (844) 538-7890

✉ support@gaslandchef.com

🛒 www.gaslandchef.com

📍 3330-A Marathon Ct Charleston, SC 29418

GASLAND **outdoors**

1 (844)538-7890

www.gaslandchef.com

