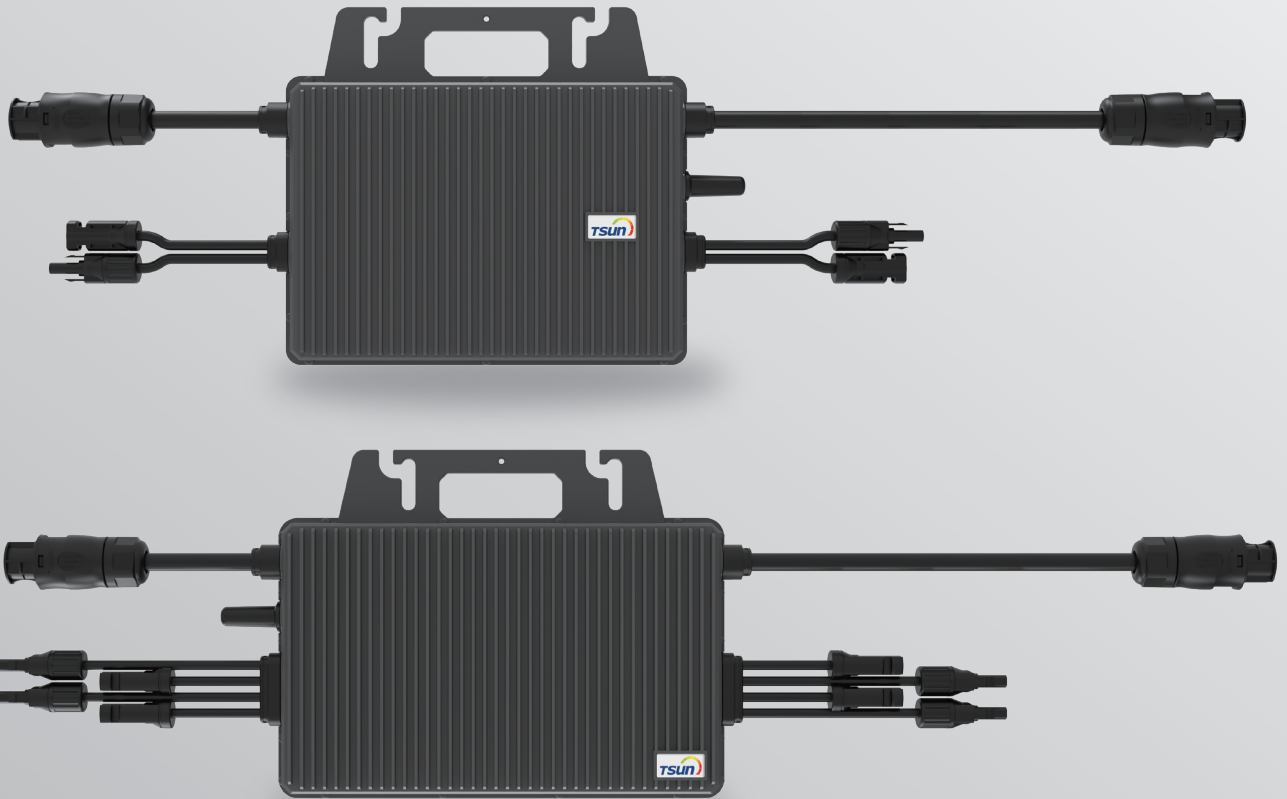


TSUN Micro Inverter



TSOL-M800/M1600



Maximized Efficiency

- Individual optimization, se-parate dedicated MPPT for each panel.
- New topology design, max. efficiency up to 96.7%.

Flexibility

- Plug & play installation. Easy to install.
- Multi-channel MPPT for complex installation environments with higher cost performance.

Safety

- Max. DC voltage 60V. No threat for high DC voltage.
- Integrated LoM protection function. Ensure the safety of power grid.

Reliability

- Die casting design and glue filling technology. Better thermal dissipation.
- Standard 12 years warranty, Quality guaranteed.

CE VDE 0126 VDE 4105 EN 50549 AS4777 CEI 0-21 INMETRO RD 1699 G 98



TSUNESS Co., Ltd

E-mail: sales@tsun-ess.com
Web: www.tsun-ess.com

Tel: +86-512-6618 6028

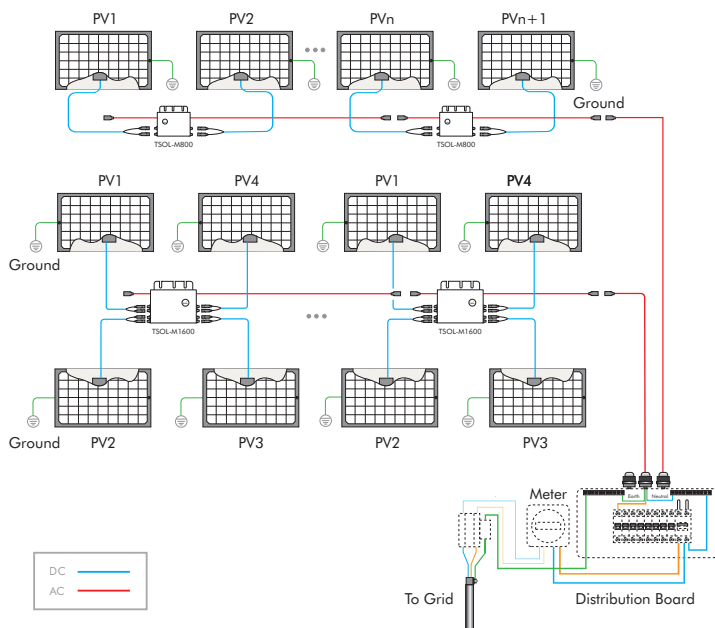
Add: Chuangye Road, Dayun Town, Jiashan County, Zhejiang Province, China

Technical Data

Model	TSOL-M800	TSOL-M1600
Input(DC)		
Recommended Input Power [W]	2*280-440	4*300-470
Start up Voltage [V]	22	22
MPPT Voltage Range [V]		16-60
Max. Input Voltage [V]		60
Max. Input Current [A]		11.5
Max. Input Short Circuit Current[A]		15
Output [AC]		
Max. Continuous Output Power [W]	700	1500
Nominal Output Current [A]	3.04	6.52
Max. Output Current [A]	3.19	6.82
Nominal Output Voltage / Range [V] *		230, L/N/PE , 207-253V
Nominal Frequency / Range [Hz] *		50, 45-55Hz
Power Factor		0.8 leading ... 0.8 lagging
Output Current Harmonic Distortion		< 3%
Max. Units Per Branch	7	3
Efficiency		
Peak Conversion Efficiency		96.7%
CEC Weighted Efficiency		96.5%
Nominal MPPT Efficiency		99.9%
EU Efficiency		96.3%
Night Time Power Consumption [mW]		< 50
Mechanical Data		
Dimensions (WxHxD) [mm]	250×170×28	280×176×33
Weight [kg]	3	3.75
Type of Enclosure		IP67
Cooling		Natural Convection
Environmental Data		
Operating Ambient Temperature Range [°C]		-40°C to 65°C
Operating Internal Temperature Range [°C]		-40°C to 85°C
Relative Humidity		0-100 % condensing
Max. Operating Altitude Without Derating [M]		2000
Monitor		2.4G RF

※ The AC voltage and frequency range may vary depending on specific country grid.

Diagram



Ordering Information

Ordering NO.	Model	Description
04.02.01.003	TSOL-M800	Microinverter, output 700W
04.02.01.005	TSOL-M1600	Microinverter, output 1500W
04.02.02.001	TSOL-MT-F	AC connector, female
04.02.02.002	TSOL-MP-F	Protect cap, female
04.02.02.003	TSOL-MT-T	AC connector, male
04.02.02.004	TSOL-MP-T	Protect cap, male
04.02.02.005	TSOL-MC200-G2	Interconnection cable, 2m

For more information, visit/contact us at www.tsun-ess.com