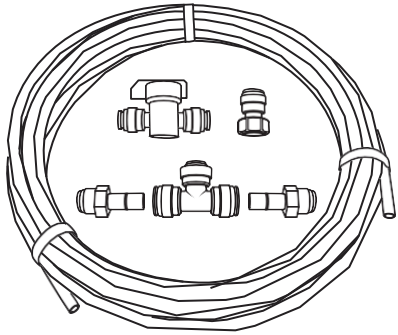


METPURE®



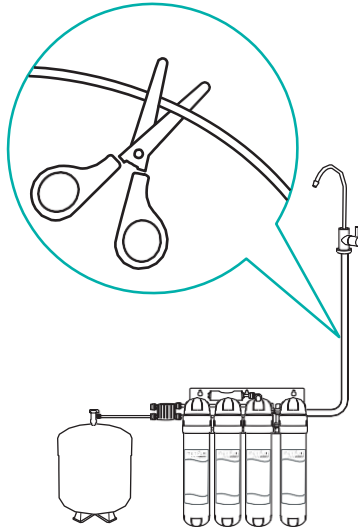
Metpure Ice Maker Fridge Installation Kit 2

(tee off existing water filtration system)

SKU: ROFKIT2514

Installation Manual

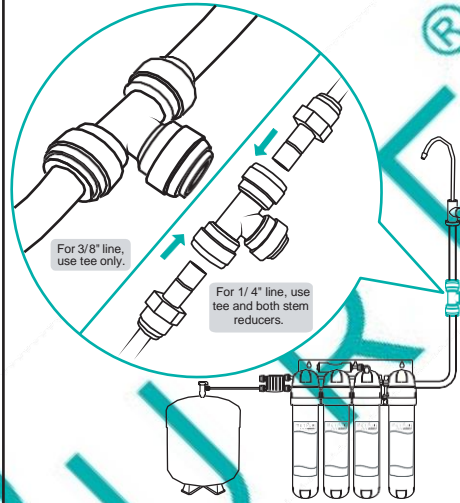
Step - 1



WARNING! To prevent leak, make sure tubing is cut square leaving no fray or burr on the cut tubing ends.

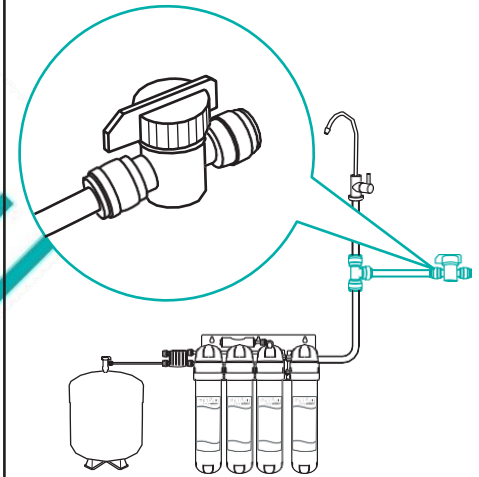
Shut off water for filtration system. Locate purified water tubing between filtration system and spigot, then cut it with a pair of sharp scissors or razor blade.

Step - 2



Insert tee for 3/8" existing tubing. Add stem reducers on both ends of tee if existing tubing is 1/4".

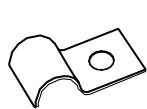
Step - 3



Cut a piece of tubing from the provided roll. Then insert one end in the tee and the other end in the inline shut off valve.

Step - 4

Recommended tubing supports (NOT INCLUDED)



1/4" Steel Half clamp



1/4" Galvanized single hole cushion clamp



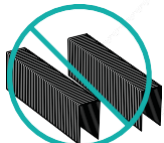
1/4" nylon cable clamp



1/4" Coaxial clamp with Nail



T25 round Crown Staples

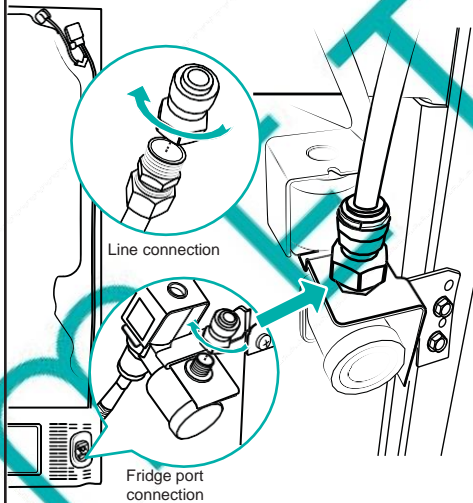


T50/P22 Flat Staples

WARNING! Do not use flat staples as they will pinch the tubing and cause a leak. Be cautious when using tube supports ensuring not to puncture the tubing during installation.

Run the tubing from the shut off valve to point of use, such as icemaker, refrigerator, dispenser, humidifier, etc.

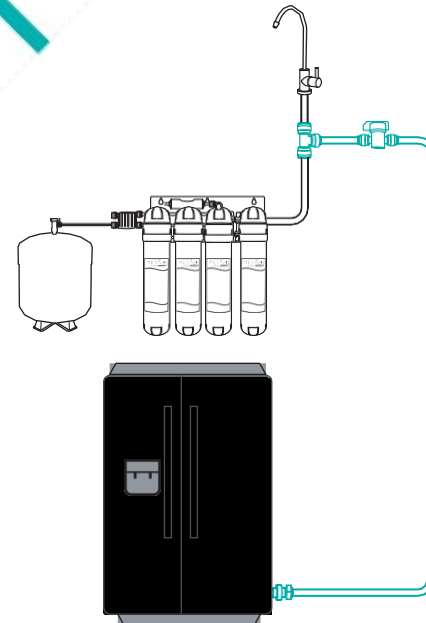
Step - 5



WARNING! Do not use any sealant/ teflon tape on the thread; do not cross thread; do not use any tools to tighten; otherwise the female adapter may crack or leak.

Thread on female adapter by hand at appliance then plug in tubing. Leave tubing enough slack at this end. Do not keep taut.

Step - 6



Once everything is connected, turn on water for filtration system, and check for leak.

Included Parts

- QTY 1 roll: 25' of 1/4" OD white-colored NSF certified LLDPE tubing
- QTY 1: 1/4" x 1/4" quick connect inline ball valve
- QTY 1: 3/8" x 3/8" x 1/4" quick connect tee
- QTY 2: 1/4" quick connect x 3/8" stem reducers
- QTY 1: 1/4" female x 1/4" quick connect adapter

FAQ

- Will this kit fit my application? Refer to the following:
 - I have an existing water filtration system, such as an RO system, and would like to split the filtered water into my fridge - YES.
 - I have an RO system with air-gap faucet. - YES.
 - I like to connect this from my undersink water supply valve and line, and run this to my fridge - NO. Use product SKU: ICEMK2514-1
 - I am not sure if I have 1/4" or 3/8" line on my filtration system. - YES. It works for both, so no need to figure out which line you have.
- Tubing is too long, can I cut it? Yes. Cut must be square and without fray or burr.
- Tubing is too short, can I make it longer? Yes. Connect with 1/4" coupling and more tubing.
- I accidentally damaged the line and there is a leak, what should I do? Cut the section that is leaking and get a 1/4" coupling and reconnect.
- Can I install this outdoor? No. For indoors only. **DO NOT USE FOR OUTDOORS** as tubing will degrade when exposed to extreme elements.

Specifications

Use for COLD WATER feed only.
 Parts certified by NSF for potable water- food grade product.
 Tubing temperature range: -50° F to 140° F
 Working water pressure range: 130psi* @ 70° F – 60psi @ 140° F
 *If feed water pressure is over 80psi, a pressure regulator is highly recommended to prevent product failure/ leak.

Customer Support

Online: [https:// www.metpure.com/ contact/](https://www.metpure.com/contact/)
 Email: support@metpure.com
 Phone: 714-202-0019 M-F 9:30am-5:00pm PST
 Warranty info: [https:// www.metpure.com/ general-warranty-policy](https://www.metpure.com/general-warranty-policy)