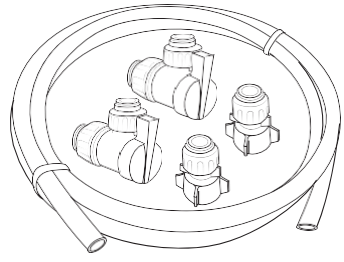


METPURE®

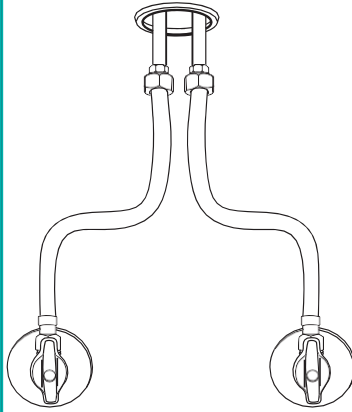


Push Fit Faucet Water Supply Angle Shut Off Valve & Supply Line Kit

SKU: PT-FAQCK

Installation Manual

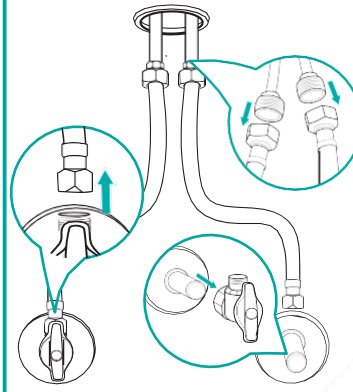
Step 1



WARNING Before installing the kit, building main water supply must be turned OFF.

Locate existing shut off valve and supply line sets. Kit can be used for new work.

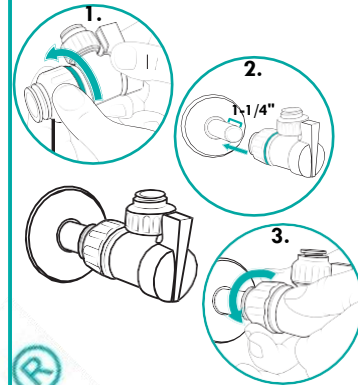
Step 2



WARNING Make sure the existing water pipes are deburred and smooth.

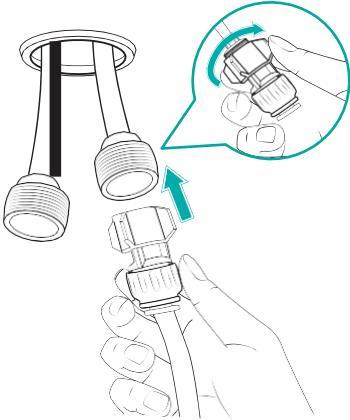
Remove existing shut off valves and supply lines .

Step 3



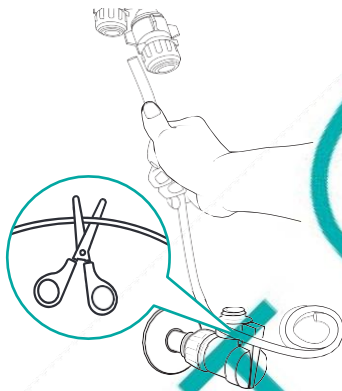
Install the twist-lock push-fit shut off valves by 1. Twisting the 1/2" end until color strip is visible. 2. Push in the valve at least 1-1/4" into the pipe. 3. Twist the 1/2" end until color strip is NOT visible.

Step 4



Install the female adapter twist-lock fittings onto the faucet end.

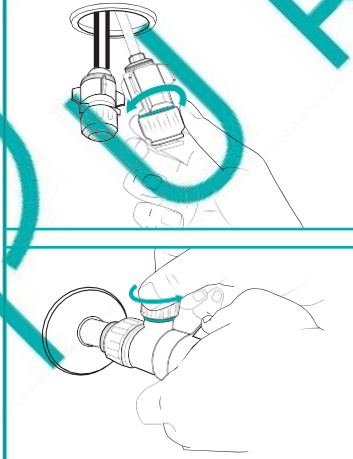
Step 5



WARNING Make sure the cut is square without burrs or frays; otherwise leak may occur.

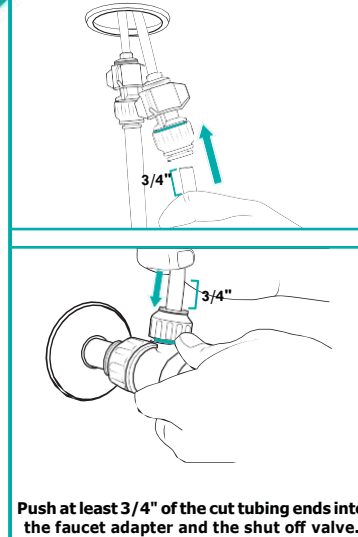
Measure the tubing from twist lock end to twist lock end and add a couple more inches to ensure enough length before cutting.

Step 6



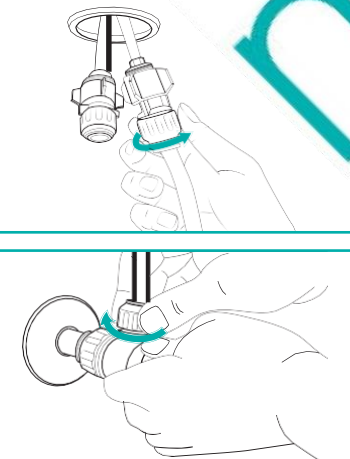
Turn the 3/8" twist-lock ends on both the female adapters and the shut off valves until the color strip is visible.

Step 7



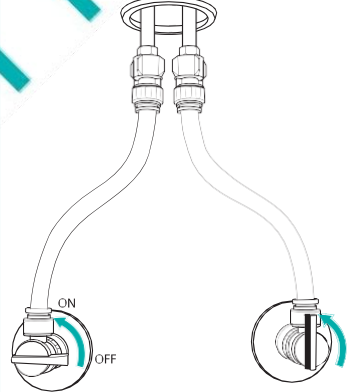
Push at least 3/4" of the cut tubing ends into the faucet adapter and the shut off valve.

Step 8



Twist the 3/8" fitting ends until color strip is NOT visible.

Step 9



WARNING Make sure the shut off valves are in the OFF position before turning ON the building main water supply.

Turn the building main water supply back on, THEN turn on the shut off valves. Check for leaks before leaving the site.

INCLUDED PARTS

1. QTY 2 x 1/2" NOM x 3/8 OD (1/4 ID) Quick Connect Angle valves
2. QTY 2 x 3/8 OD (1/4 ID) Quick Connect x 1/2 FIP Adapter
3. QTY 5 Feet x 3/8 OD (1/4 ID) white PEX tubing

FAQ

1. Will this kit fit my application? If you are replacing supply valves and lines hooked up to a 1/2" NOM copper, PEX, or CPVC, and a faucet with 1/2" MIP male threads, this kit will work.
2. There is a leak at the connection, what should I do? Make sure the twist lock on the fittings is turned so that the color line is NOT visible. Also make sure the tubing is cut square without burrs or frays.
3. Can I install this outdoor? No. This is for indoors only. DO NOT USE FOR OUTDOORS as plastic fittings and tubing will degrade when exposed to extreme elements.
4. Will this work on toilet connections? No. It is used with 1/2" MIP connections only.
5. Will this work on new work? Yes. This kit can be used on both new and old work.

SPECIFICATIONS

- Fittings are made from engineered hard plastic with EPDM O-ring and PEX tubing made in USA.
- Cold water - max temp 68 F, with max pressure @ 174 psi.
- Hot water - max temp 180 F, with max pressure @ 87 psi.
- As feeding temperature increases, max pressure decreases.
- If feed water pressure is over 80psi, a pressure regulator is highly recommended to prevent system failure/leak.

CUSTOMER SUPPORT

Online: www.metpure.com
Email: support@metpure.com
Warranty info: www.metpure.com/general-warranty-policy

