

METPURE®

# RO FAUCET



2023

# CONTENTS

03	FA-01 ( Long reach spring lever style ) <b>non-airgap</b>
08	FA-05 ( Vase style ) <b>non-airgap</b>
12	FA-05 ( Vase style ) <b>airgap</b>
15	FA-07 ( Long reach style ) <b>non-airgap</b>
19	FA-08 ( Standard Euro style ) <b>non-airgap</b>
23	FA-09 ( Large Euro style ) <b>non-airgap</b>
27	FA-CP-1 ( RO faucet finishes color palette key chain )
28	RO-FW148 ( Filter faucet wrench )
29	Ceramic disc valve & double o-ring gooseneck joint
30	Dimensions



# FA-01

## LONG REACH SPRING LEVER STYLE ( NON AIR-GAP )

---

Long reach spring lever reverse osmosis drinking water non air gap  
RO faucet.



## PREMIUM QUALITY

---

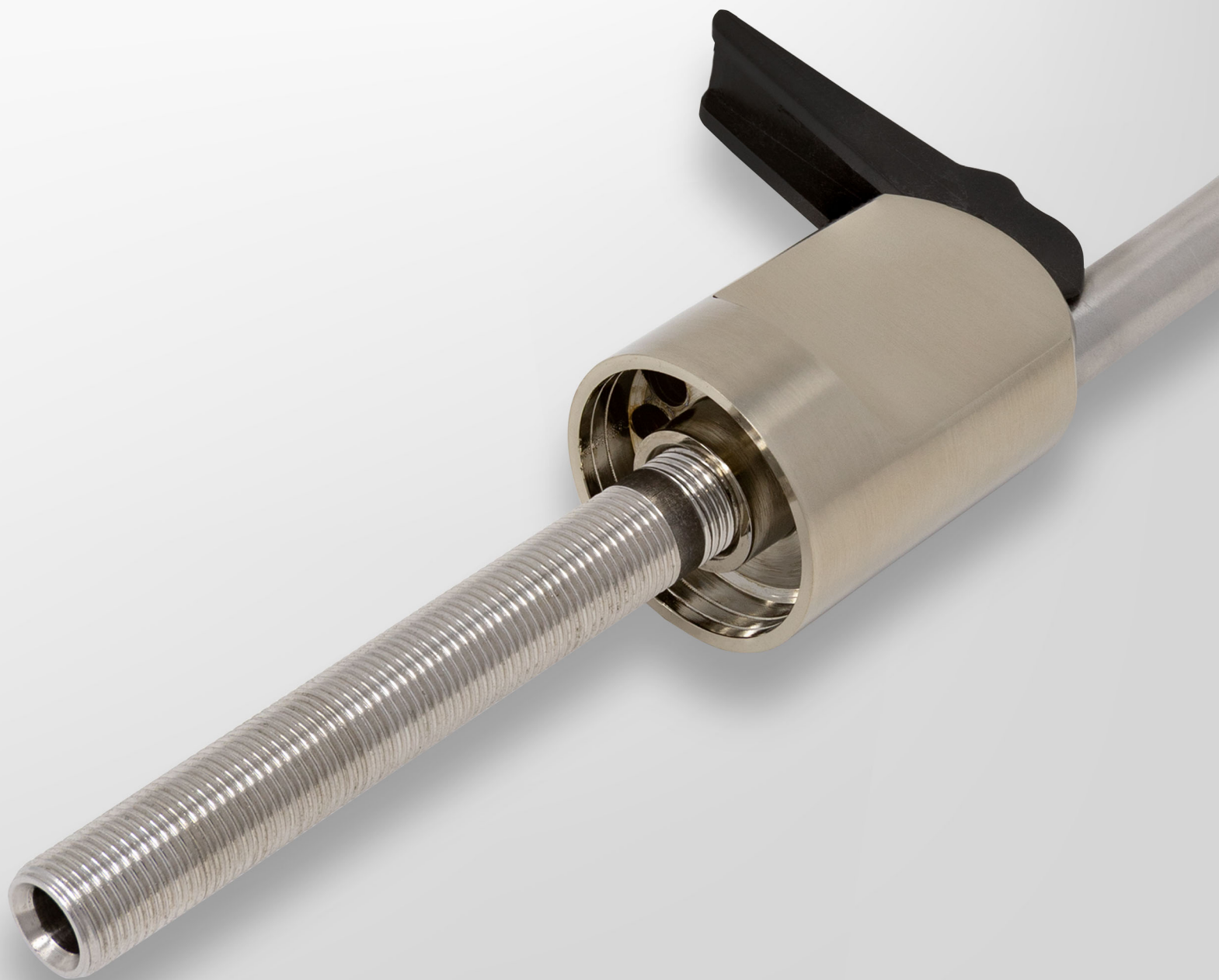
This long reach style reverse osmosis faucet is crafted with lead-free brass for durability and lasting finish. The product is crafted with solid material and the dispenser operates smoothly for years of usage.



## STANDARD FIT

---

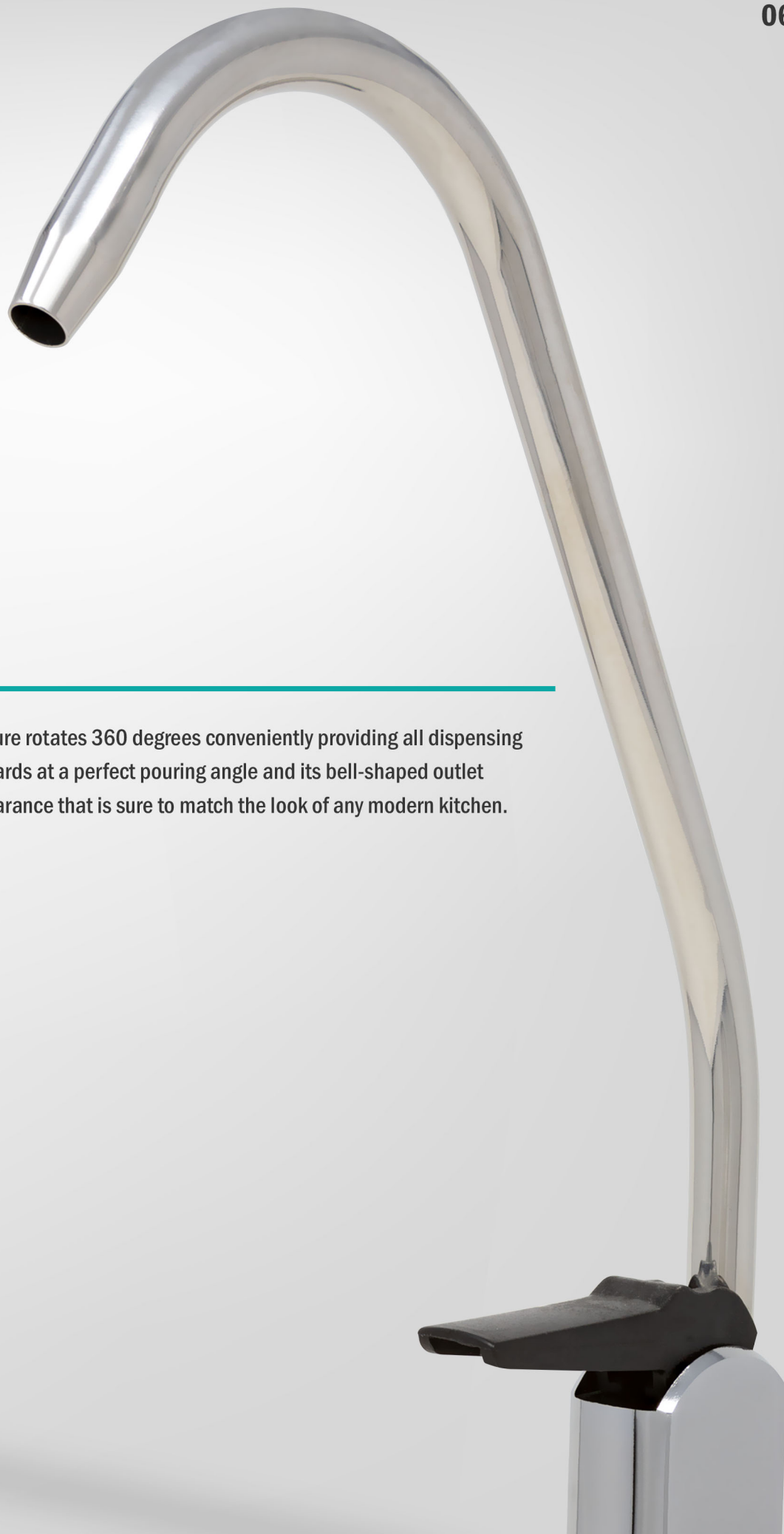
This spigot is equipped with a standard 3" long stem that could be threaded with all 1/4" OD tubing. Complete hardware is included.



## SLEEK DESIGN

---

The tall gooseneck of this faucet fixture rotates 360 degrees conveniently providing all dispensing directions and the spout curves upwards at a perfect pouring angle and its bell-shaped outlet gives a modern, contemporary appearance that is sure to match the look of any modern kitchen.





INCLUDED HARDWARE

FA-01-CHR-NAG

## FA-01

### LONG REACH SPRING LEVER STYLE ( NON AIR-GAP )

**MATERIAL :** Lead-free brass    **VALVE :** Spring gate    **QTY PER BOX :** 50

Long reach spring lever reverse osmosis drinking water non air gap RO faucet.

**PREMIUM QUALITY :** This long reach style reverse osmosis faucet is crafted with lead-free brass for durability and lasting finish. The product material feels solid and the dispenser operates smoothly for years of usage.

**STANDARD FIT :** This spigot is equipped with a standard 3" long stem that could be threaded with all 1/4" OD tubing. Complete hardware is included.

**SLEEK DESIGN :** The tall gooseneck of this faucet fixture rotates 360 degrees conveniently providing all dispensing directions and the spout curves upwards at a perfect pouring angle and its bell-shaped outlet gives a modern, contemporary appearance that is sure to match the look of any modern kitchen.

#### AVAILABLE FINISHES



BRUSHED NICKEL  
DIELECTRIC PLATING  
FA-01-BN-NAG



CHROME  
DIELECTRIC PLATING  
FA-01-CHR-NAG

# FA-05

## VASE STYLE ( NON AIR-GAP )

---

Vase style reverse osmosis drinking water non air-gap RO faucet with ceramic disc valve.

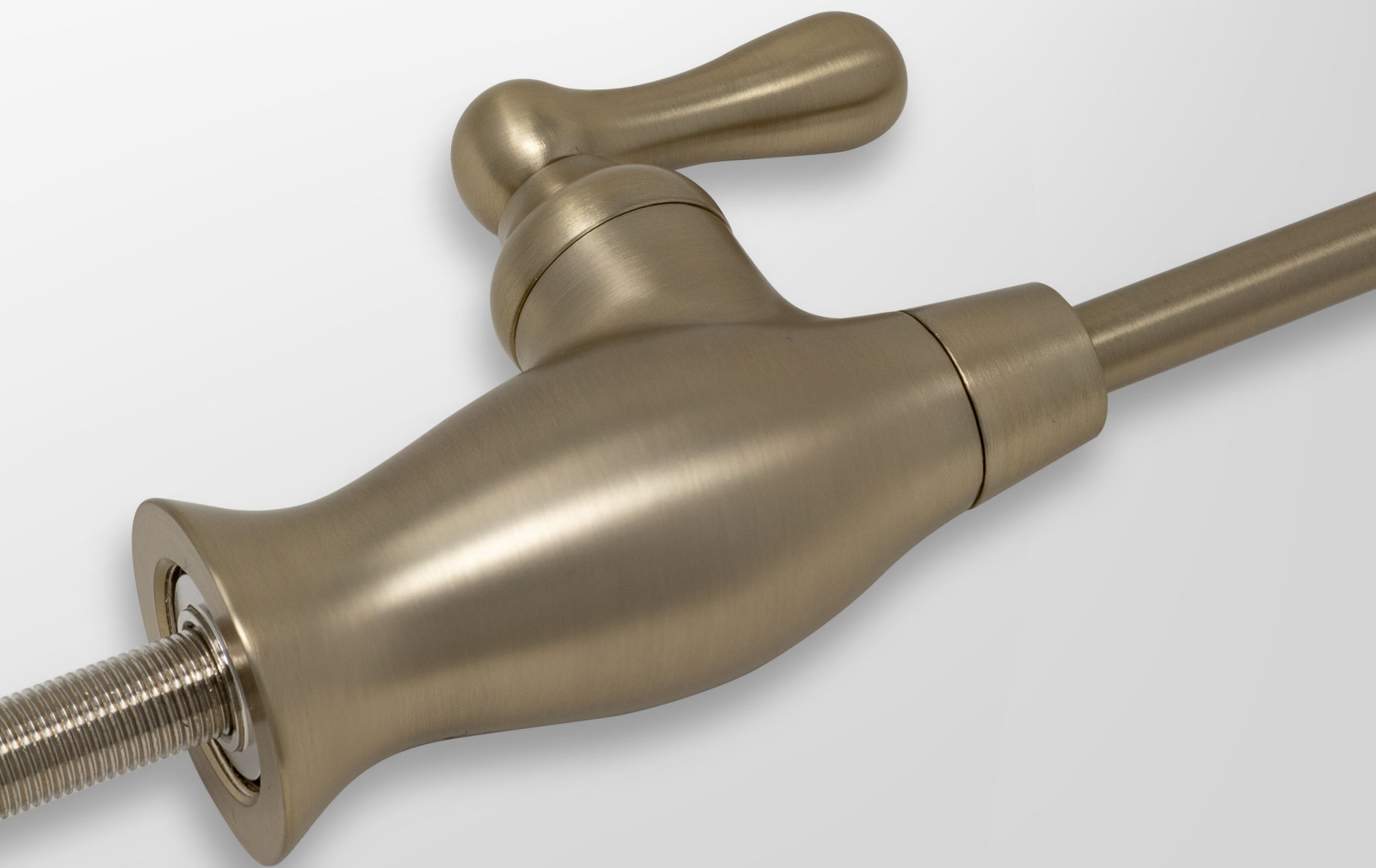




## HEAVY DUTY BODY

---

The faucet is crafted with zinc composite alloy that is built to last and its surface staying smooth for years of usage.



## PREMIUM FINISH

---

The finish of all the faucets are layered with multiple coats and color matched to their exact specifications to ensure their appearance stay consistent in every batch and their color does not fade over time during usage.





FA-05-CG-NAG



INCLUDED HARDWARE

AVAILABLE FINISHES



ANTIQUE BRASS  
DIELECTRIC PLATING  
FA-05-AB-NAG



ANTIQUE WINE  
DIELECTRIC PLATING  
FA-05-AW-NAG



BRIGHT GOLD  
DIELECTRIC PLATING  
FA-05-BG-NAG



BRUSHED GOLD  
DIELECTRIC PLATING  
FA-05-BSG-NAG



BRUSHED NICKEL  
DIELECTRIC PLATING  
FA-05-BN-NAG



CHAMPAGNE GOLD  
DIELECTRIC PLATING  
FA-05-CG-NAG



CHROME  
DIELECTRIC PLATING  
FA-05-CHR-NAG



CLASSIC BRONZE  
DIELECTRIC PLATING  
SOLID LEAD-FREE BRASS  
FA-05-CB-NAG-1



GUNPOWDER GREY  
DIELECTRIC PLATING  
FA-05-GG-NAG



MATTE BLACK  
BAKE COATING  
FA-05-MB-NAG



OIL RUBBED BRONZE  
BAKE COATING  
FA-05-ORB-NAG



POLISHED NICKEL  
DIELECTRIC PLATING  
FA-05-PN-NAG



ROSE GOLD  
DIELECTRIC PLATING  
FA-05-RG-NAG



SATIN NICKEL  
DIELECTRIC PLATING  
FA-05-SN-NAG



STAINLESS STEEL  
DIELECTRIC PLATING  
FA-05-SS-NAG



VENETIAN BRONZE  
DIELECTRIC PLATING  
FA-05-VB-NAG



Certified to  
NSF/ANSI  
42, 58, 372

**FA-05**  
VASE STYLE ( NON AIR-GAP )

**MATERIAL :** Zinc alloy **VALVE :** Ceramic disc **QTY PER BOX :** 20

Vase style reverse osmosis drinking water air-gap and non air-gap RO faucet with ceramic disc valve.

**HEAVY DUTY BODY :** The faucet is crafted with zinc composite alloy that is built to last and its surface staying smooth for years of usage.

**STANDARD FIT :** Most filtration systems come in 1/4" feed tube, so every faucet comes with hardware kit that will fit 1/4" feed tube.

**PREMIUM FINISH :** The finish of all the faucets are layered with multiple coats and color matched to their exact specifications to ensure their appearance stay consistent in every batch and their color does not fade over time during usage.

# FA-05

## VASE STYLE ( AIR-GAP )

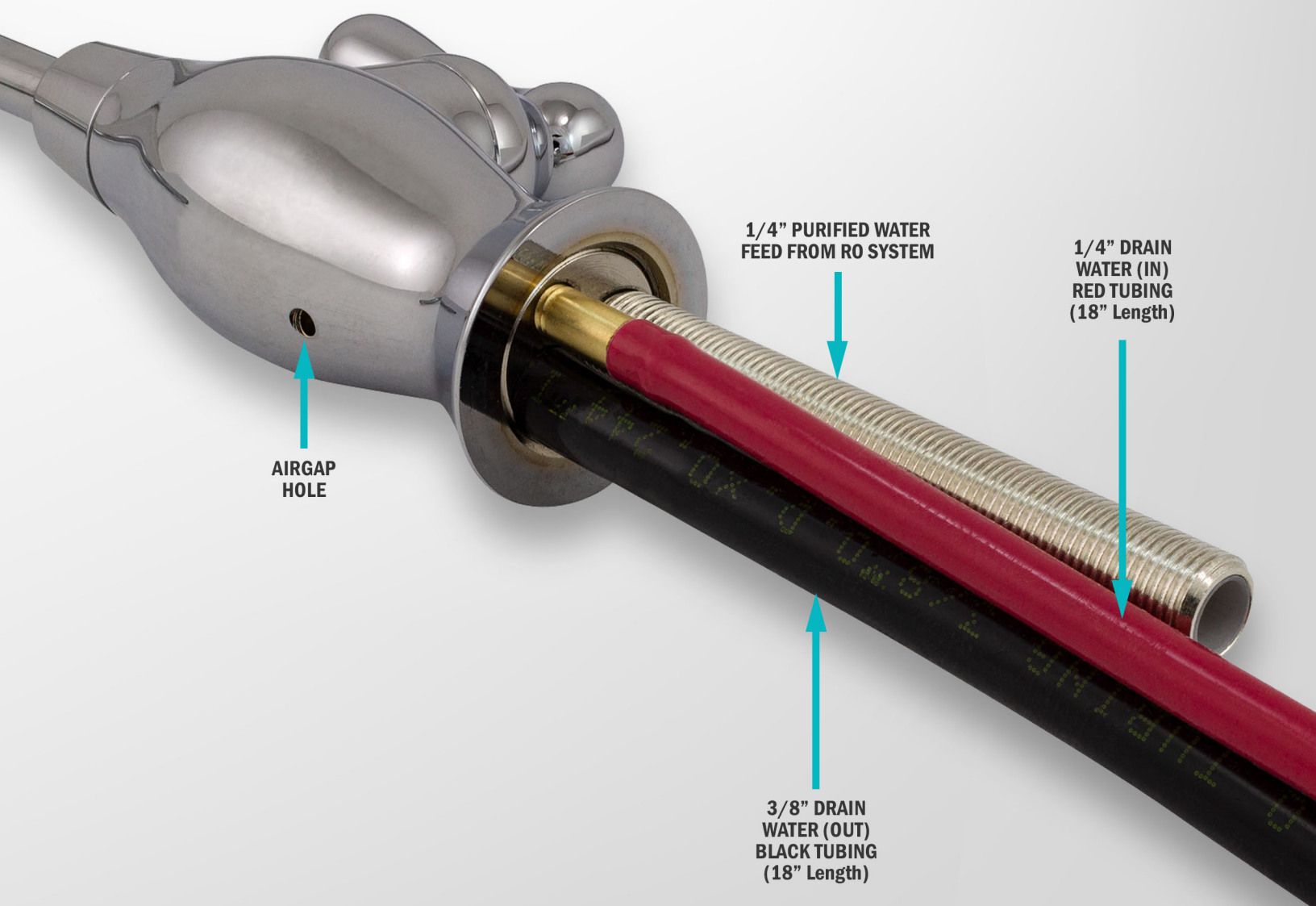
---

Vase style reverse osmosis drinking water air-gap RO faucet with ceramic disc valve.



## PRE-ATTACHED TUBING AIR-GAP RO FAUCET

The airgap RO faucet comes with pre-installed tubings. RO systems requiring a 1/4" brine input (18" Length) and 3/8" brine output (18" Length) airgap hook up lines are compatible with this faucet.





FA-05-CHR-AGT



INCLUDED HARDWARE



PRE-ATTACHED TUBINGS



Certified to NSF/ANSI 42, 58, 372

## FA-05 VASE STYLE ( AIR-GAP )

**MATERIAL :** Zinc alloy **VALVE :** Ceramic disc **QTY PER BOX :** 20

Vase style reverse osmosis drinking water air-gap and non air-gap RO faucet with ceramic disc valve.

**HEAVY DUTY BODY :** The faucet is crafted with zinc composite alloy that is built to last and its surface staying smooth for years of usage.

**PREMIUM FINISH :** The finish of all the faucets are layered with multiple coats and color matched to their exact specifications to ensure their appearance stay consistent in every batch and their color does not fade over time during usage.

**PRE-ATTACHED TUBING AIR-GAP RO FAUCET :** The airgap RO faucet comes with pre-installed tubings. RO systems requiring a 1/4" brine input (18" length) and 3/8" brine output (18" length) airgap hook up lines are compatible with this faucet.

### AVAILABLE FINISHES



BRUSHED NICKEL  
DIELECTRIC PLATING  
FA-05-BN-AGT



CHROME  
DIELECTRIC PLATING  
FA-05-CHR-AGT



MATTE BLACK  
BAKE COATING  
FA-05-MB-AGT

# FA-07

## LONG REACH STYLE ( NON AIR-GAP )

---

Long reach style reverse osmosis drinking water non air gap RO faucet with ceramic disc valve.



## TRADITIONAL DESIGN

---

This long reach style faucet is designed to be a timeless fixture, accentuated by its double ring ornament at the valve cover and a traditional style curvy lever that is sure to match the decor of a traditional classic kitchen.

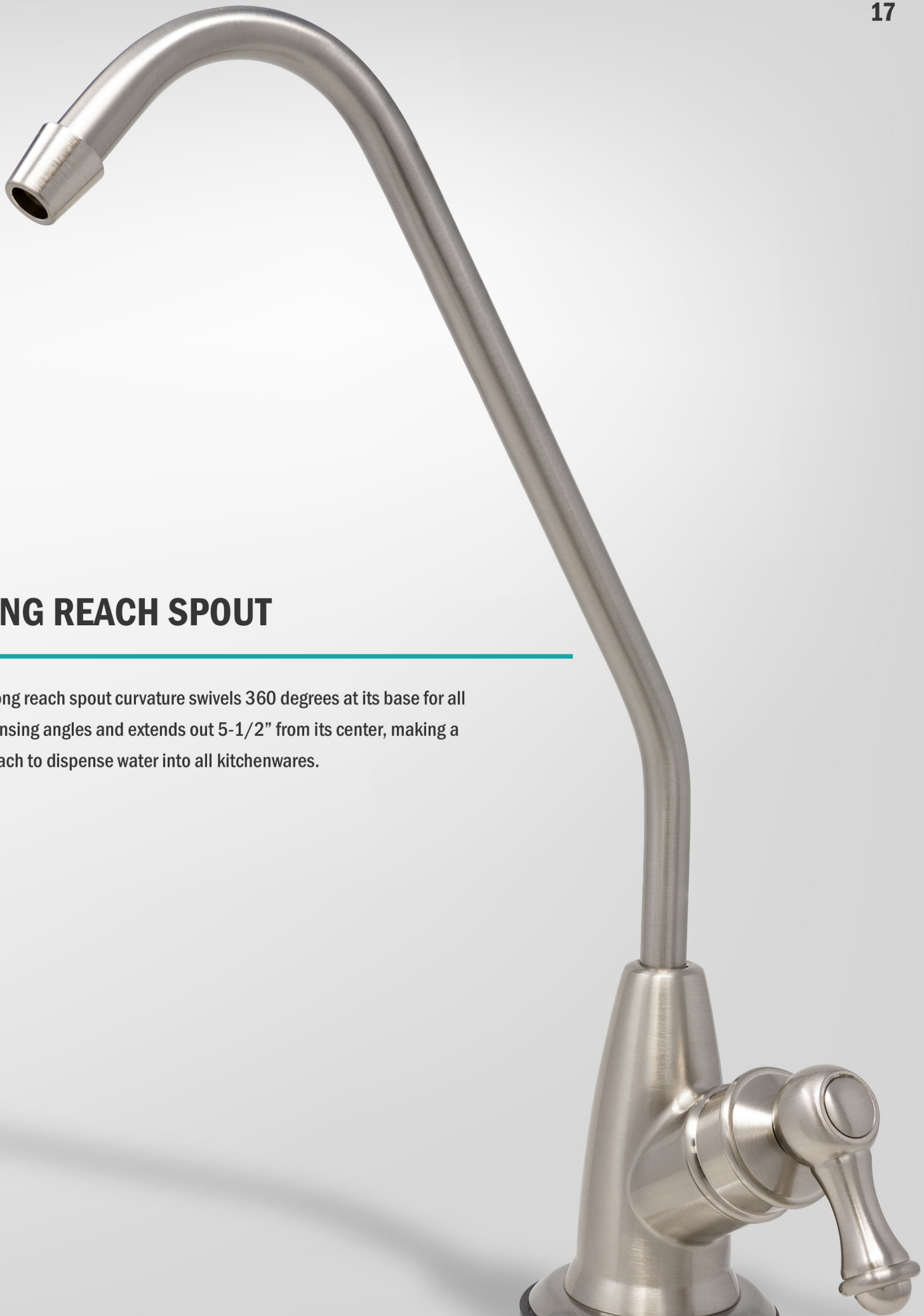




## LONG REACH SPOUT

---

The long reach spout curvature swivels 360 degrees at its base for all dispensing angles and extends out 5-1/2" from its center, making a far reach to dispense water into all kitchenwares.





FA-07-ORB-NAG



INCLUDED HARDWARE



Certified to  
NSF/ANSI  
42, 58, 372

## FA-07

### LONG REACH STYLE ( NON AIR-GAP )

**MATERIAL :** Zinc alloy **VALVE :** Ceramic disc **QTY PER BOX :** 20

Long reach style reverse osmosis drinking water non air gap RO faucet with ceramic disc valve.

**TRADITIONAL DESIGN :** This long reach style faucet is designed to be a timeless fixture, accentuated by its double ring ornament at the valve cover and a traditional style curvy lever that is sure to match the decor of a traditional classic kitchen.

**STANDARD FIT :** Most filtration systems come in 1/4" feed tube, so every faucet comes with hardware kit that will fit 1/4" feed tube.

**LONG REACH SPOUT :** The long reach spout curvature swivels 360 degrees at its base for all dispensing angles and extends out 5-1/2" from its center, making a far reach to dispense water into all kitchenwares.

#### AVAILABLE FINISHES



ANTIQUE WINE  
DIELECTRIC PLATING  
FA-07-AW-NAG



BRUSHED NICKEL  
DIELECTRIC PLATING  
FA-07-BN-NAG



CHROME  
DIELECTRIC PLATING  
FA-07-CHR-NAG



OIL RUBBED BRONZE  
BAKED COATING  
FA-07-ORB-NAG

# FA-08

## STANDARD EURO STYLE ( NON AIR-GAP )

---

Standard Euro style reverse osmosis drinking water non air gap RO faucet with ceramic disc valve.



## EURO-INSPIRED DESIGN

---

The robust and straight line appearance are inspired by European fixtures' sleek, simple look. This popular style is made to be easily matched with most contemporary kitchen faucet styles.





## SIMPLE AND CLEAN LOOK

---

With a round base and a soft angled-curve spout, this faucet is made to look simple and clean in all kitchen settings.



INCLUDED HARDWARE

FA-08-BSG-NAG



Certified to  
NSF/ANSI  
42, 58, 372

## FA-08 STANDARD EURO STYLE ( NON AIR-GAP )

**MATERIAL :** Zinc alloy    **VALVE :** Ceramic disc    **QTY PER BOX :** 20

Standard Euro style reverse osmosis drinking water non air gap RO faucet with ceramic disc valve.

**EURO-INSPIRED DESIGN :** The robust and straight line appearance are inspired by European fixtures' sleek, simple look. This popular style is made to be easily matched with most contemporary kitchen faucet styles.

**STANDARD FIT :** Most filtration systems come in 1/4" feed tube, so every faucet comes with hardware kit that will fit 1/4" feed tube.

**SIMPLE AND CLEAN LOOK :** With a round base and a soft angled-curve spout, this faucet is made to look simple and clean in all kitchen settings.

### AVAILABLE FINISHES



BRUSHED GOLD  
DIELECTRIC PLATING  
FA-08-BSG-NAG



BRUSH NICKEL  
DIELECTRIC PLATING  
FA-08-BN-NAG



CHROME  
DIELECTRIC PLATING  
FA-08-CHR-NAG



MATTE BLACK  
BAKE COATING  
FA-08-MB-NAG



OIL RUBBED BRONZE  
BAKE COATING  
FA-08-ORB-NAG



SATIN NICKEL  
DIELECTRIC PLATING  
FA-08-SN-NAG

# FA-09

## LARGE EURO STYLE ( NON AIR-GAP )

---

Large Euro style reverse osmosis drinking water non air gap  
RO faucet with ceramic disc valve.



## LUXURIOUS DESIGN

---

This large Euro style faucet has the same high quality as the standard Euro style faucet but with larger profile and longer spout. This large faucet adds a luxurious, grand touch to the countertop and the overall layout of the kitchen.





## CONVENIENT USAGE

---

The sheer size of the faucet provides a generous spout height that is over 12" from the base. This spout provides a grand appearance, but it's convenient to use and can allow large containers to be filled with its large curvature arch.





FA-09-MB-NAG

INCLUDED HARDWARE



Certified to NSF/ANSI 42, 58, 372

## FA-09 LARGE EURO STYLE ( NON AIR-GAP )

MATERIAL : Zinc alloy VALVE : Ceramic disc QTY PER BOX : 20

Large Euro style reverse osmosis drinking water non air gap RO faucet with ceramic disc valve.

**LUXURIOUS DESIGN :** This Large Euro style faucet has the same high quality as the Standard Euro style faucet but with larger profile and longer spout. This large faucet adds a luxurious, grand touch to the countertop and the overall layout of the kitchen.

**STANDARD FIT :** Most filtration systems come in 1/4" feed tube, so every faucet comes with hardware kit that will fit 1/4" feed tube.

**CONVENIENT USAGE :** The tall gooseneck of this RO faucet swivels 360 degrees for all dispensing angles and the built-in ceramic disc valve will provide a smooth operation on every dispense.

### AVAILABLE FINISHES



ANTIQUÉ BRASS  
DIELECTRIC PLATING  
FA-09-AB-NAG



ANTIQUÉ WINE  
DIELECTRIC PLATING  
FA-09-AW-NAG



BRUSHED NICKEL  
DIELECTRIC PLATING  
FA-09-BN-NAG



CHROME  
DIELECTRIC PLATING  
FA-09-CHR-NAG



MATTE BLACK  
BAKE COATING  
FA-09-MB-NAG



OIL RUBBED BRONZE  
BAKE COATING  
FA-09-ORB-NAG



## CERAMIC DISC VALVE

---

Our FA-05, FA-07, FA-08, and FA-09 faucets all come equipped with ceramic disc valve for easy, smooth, operation control of the flow rate on the faucets and its design is made to remain leak-free for years of usage.



## DOUBLE O-RING GOOSENECK JOINT

---

Faucets are only as leak proof as its weakest point. So, all our faucets are double gasketed at the rotating joint to provide that long lasting leak-proof experience whenever the gooseneck is rotated.

# FA-CP-1

## RO FAUCET FINISHES COLOR PALETTE KEY CHAIN

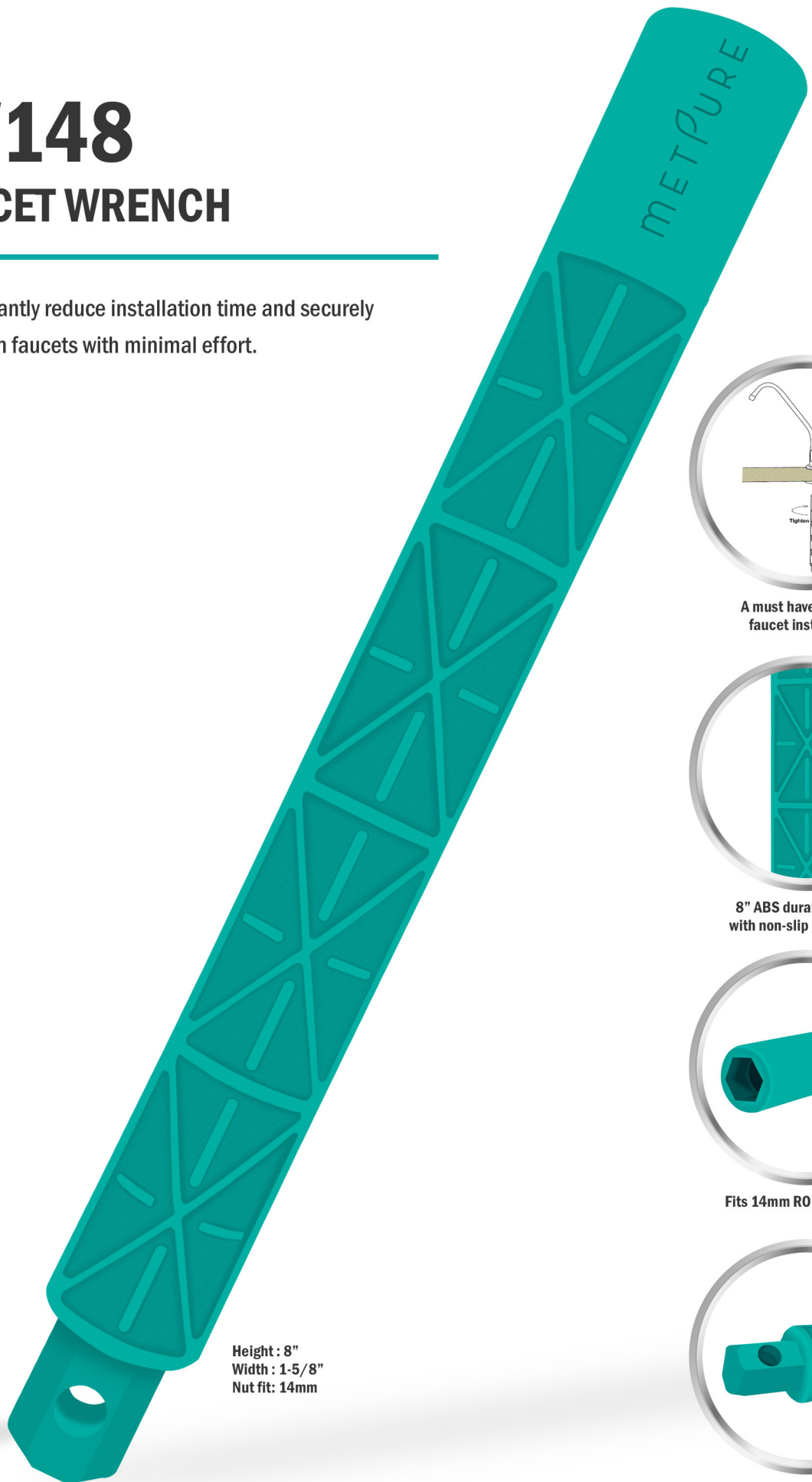
An invaluable tool for installers or sales reps to provide onsite color match of kitchen faucet finish to Metpure faucet finishes. This will ensure all color finishes are uniform throughout the decor, and prevent mismatching fixture colors after installation.



# R0-FW148

## FILTER FAUCET WRENCH

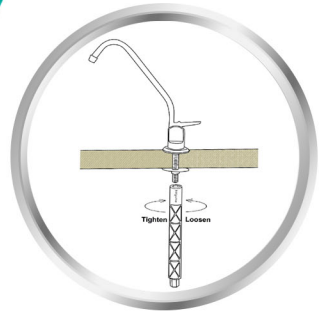
Tool designed to significantly reduce installation time and securely tighten all water filtration faucets with minimal effort.



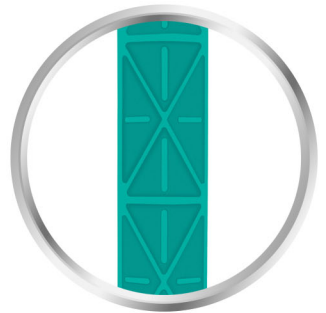
Height : 8"  
Width : 1-5/8"  
Nut fit: 14mm



Retail package



A must have tool for all faucet installations.



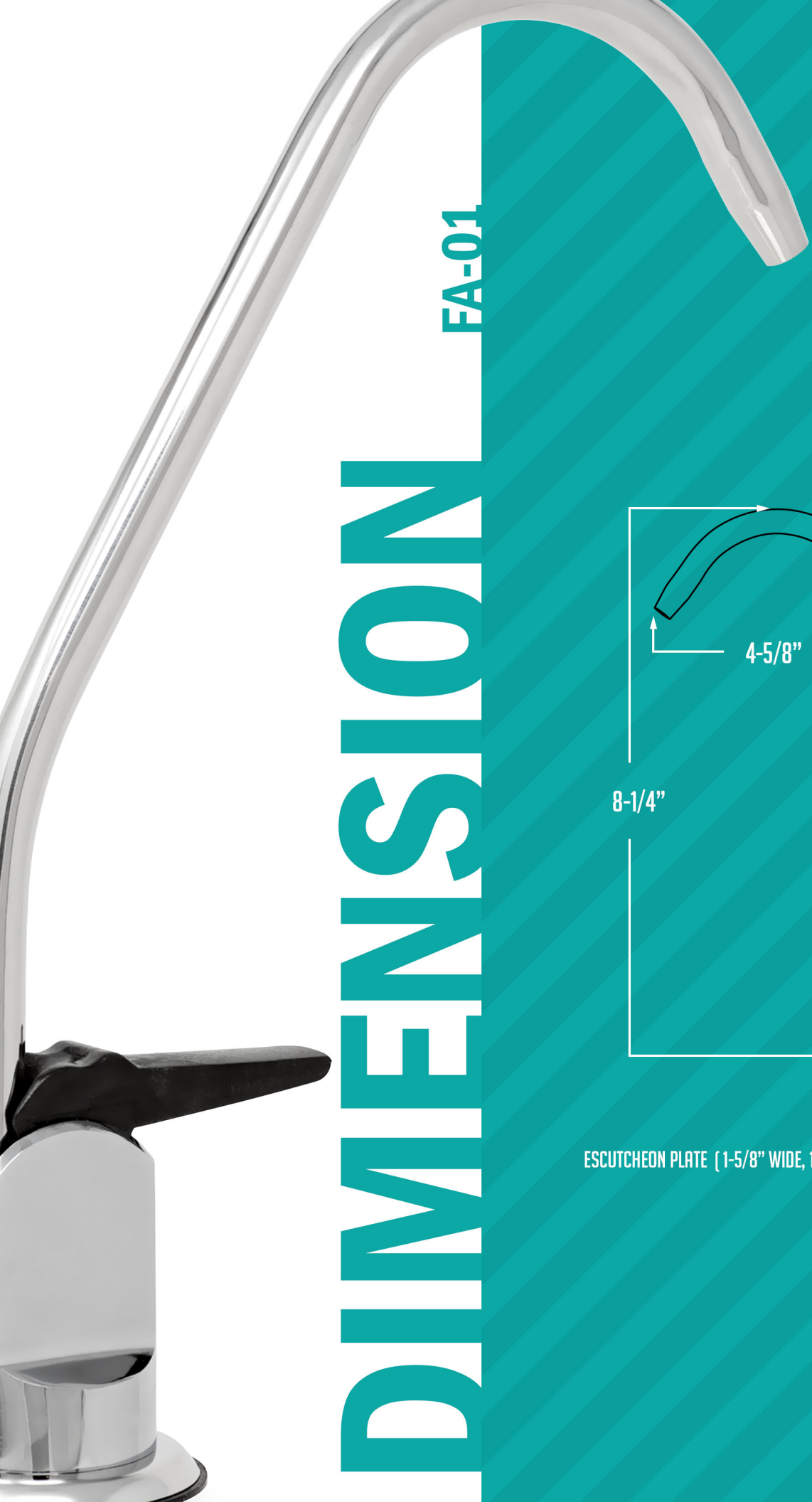
8" ABS durable wrench with non-slip grip design.



Fits 14mm R0 faucet nuts.

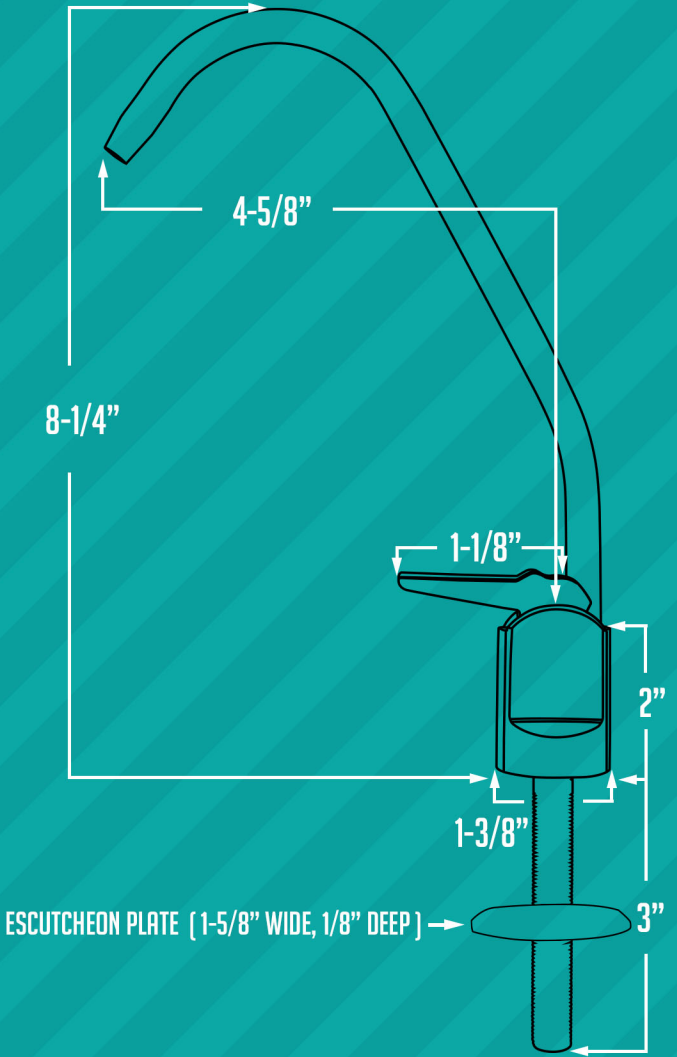


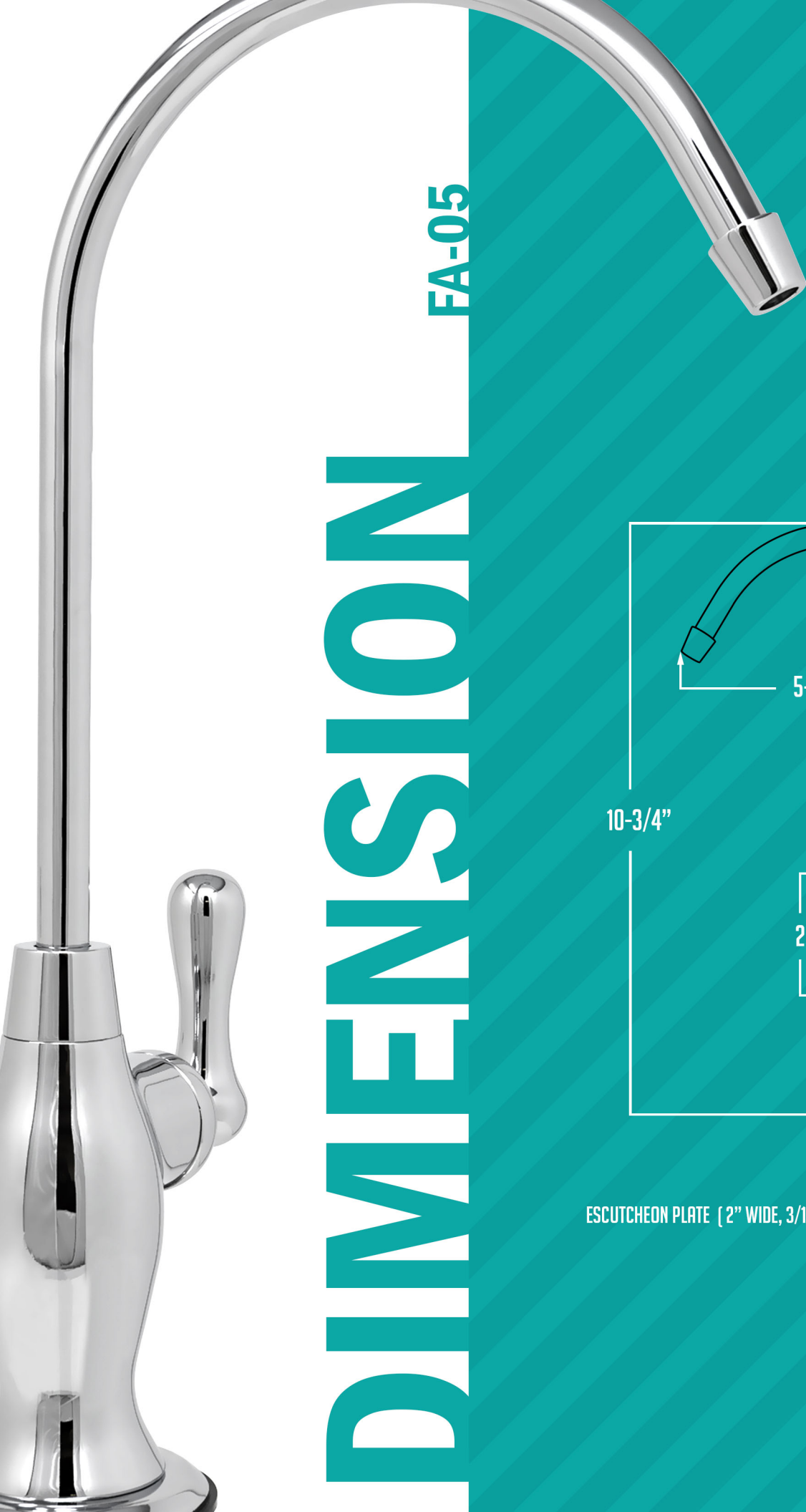
Built-in torque nut and hole design for applying extra tightness to the faucet install.



# DIMENSION

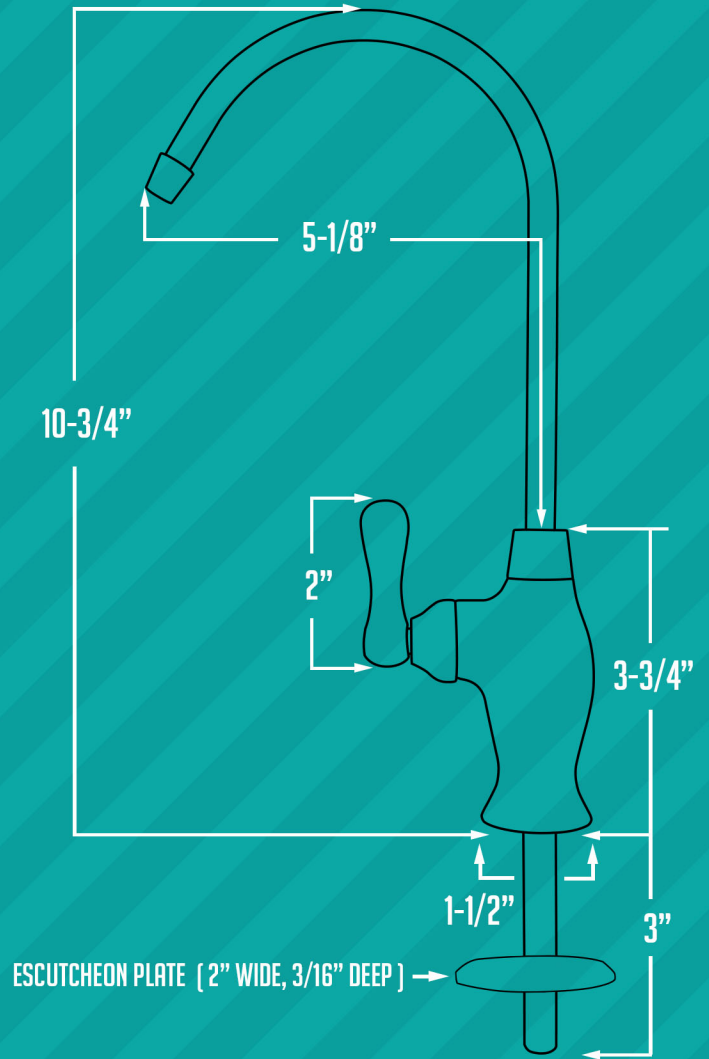
FA-01

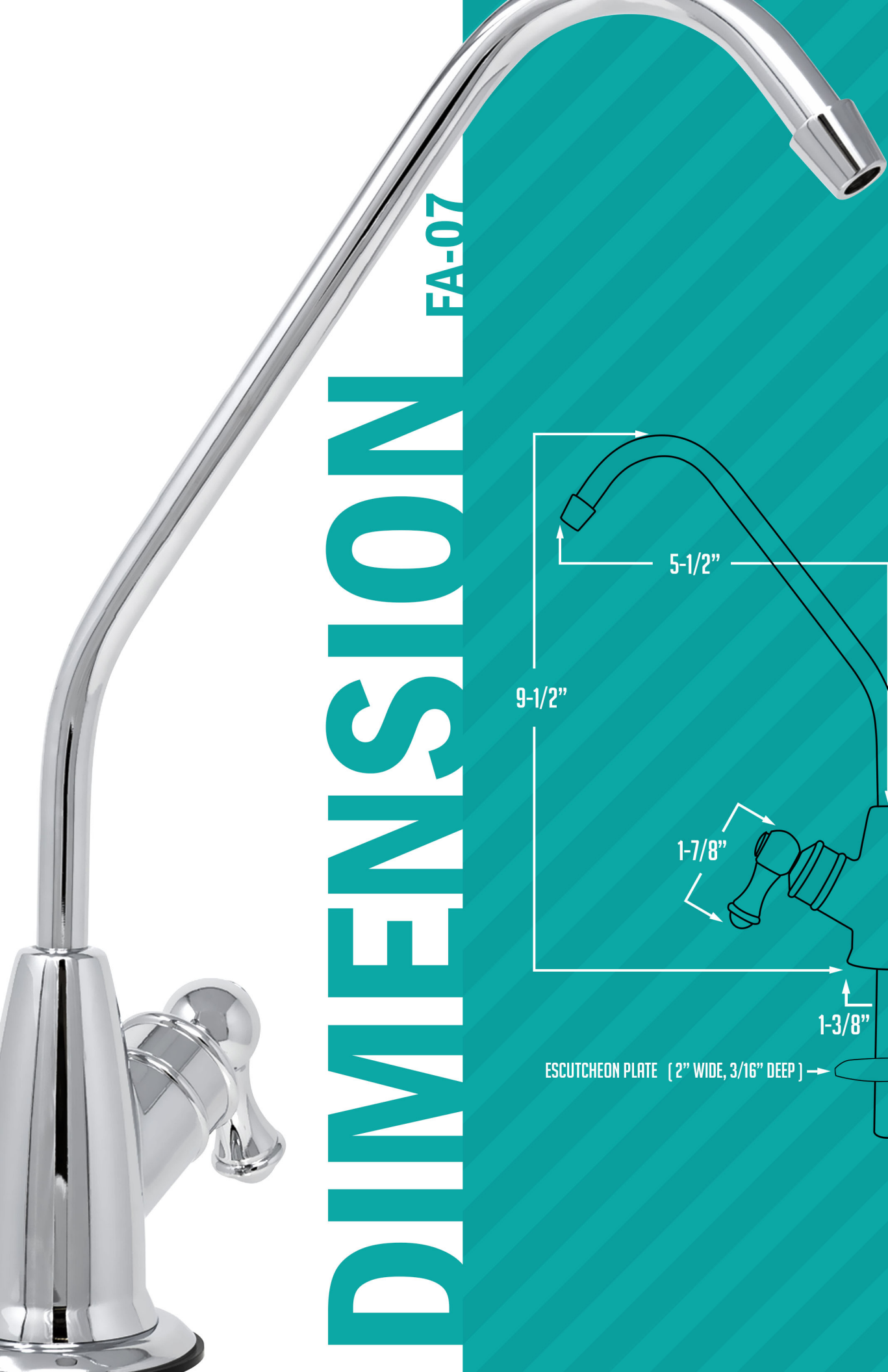




FA-05

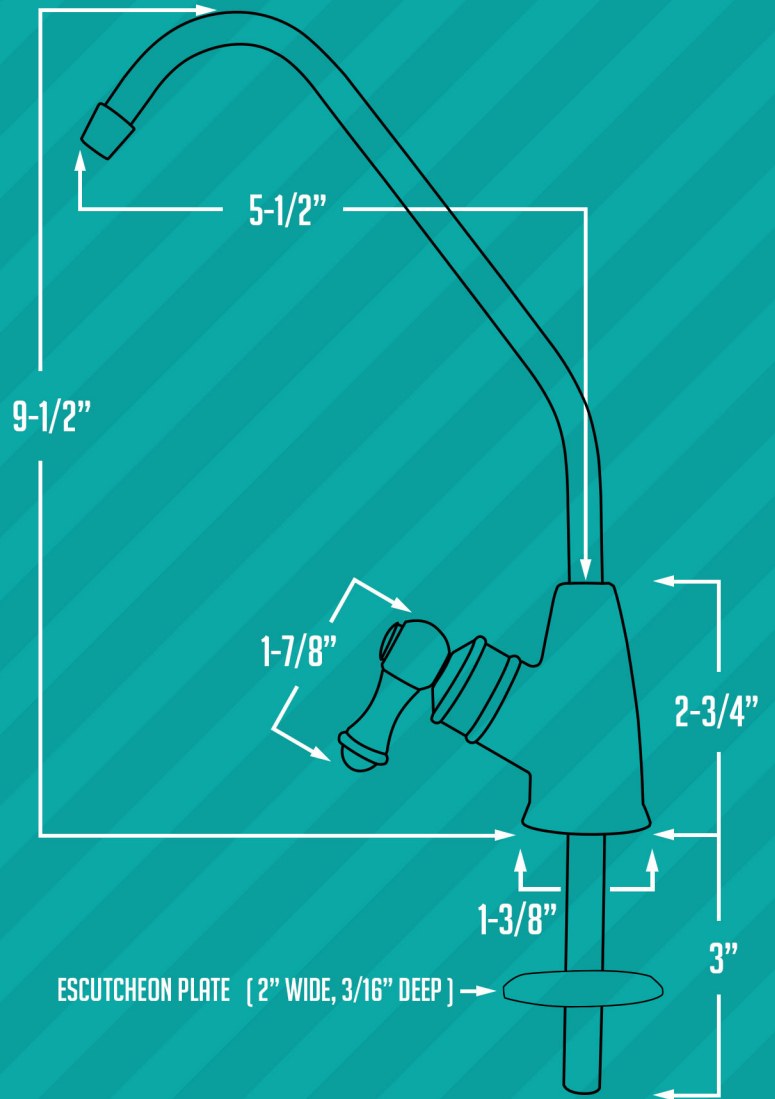
# DIMENSION





FA-07

# DIMENSIONS

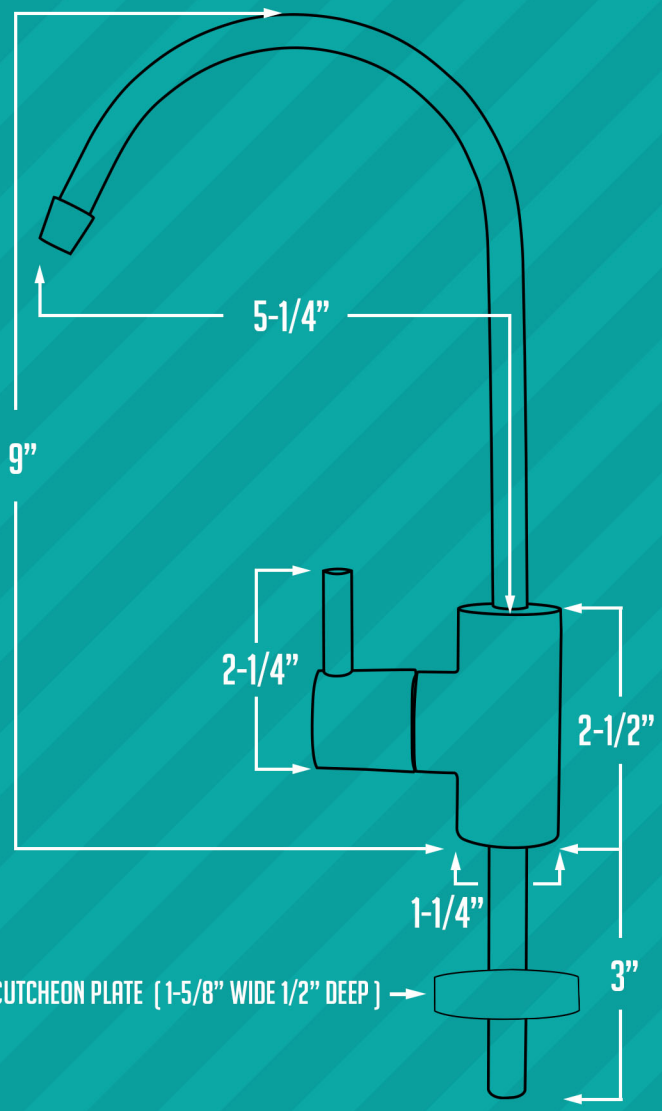






FA-08

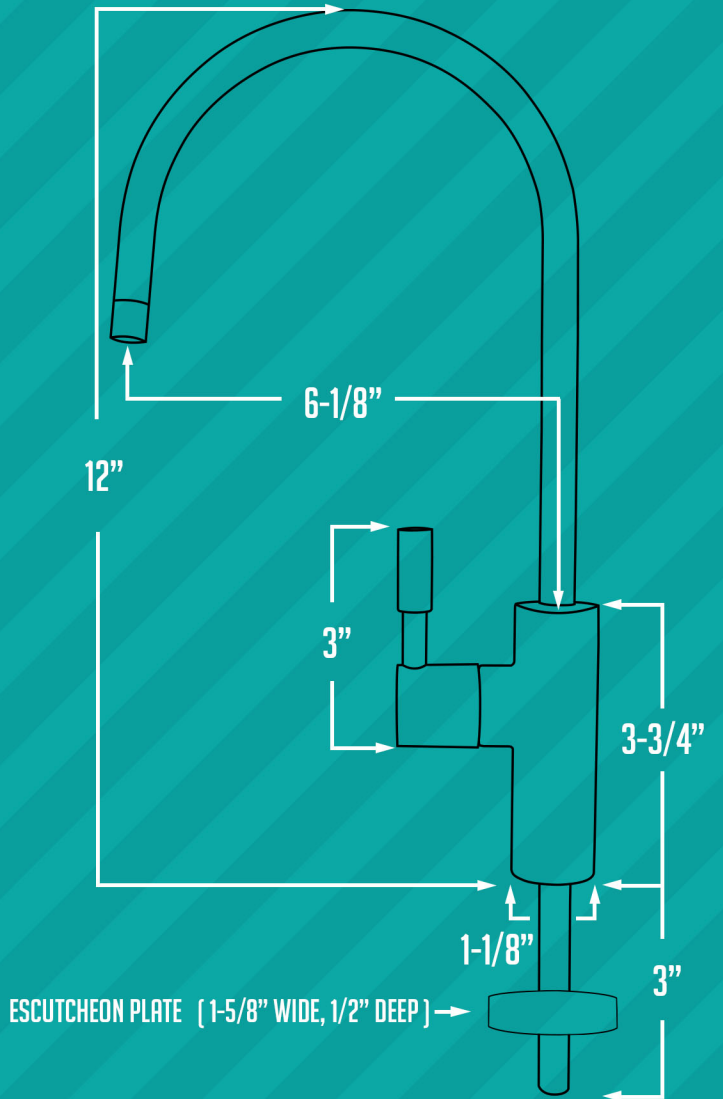
# DIMENSIONS





# DIMENSION

FA-09





METPURE®



714.202.0019



[www.metpure.com](http://www.metpure.com)



4773 Brooks St., Unit D,  
Montclair, CA 91763