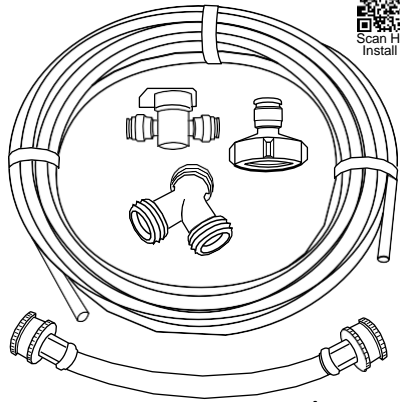


METPURE®



Scan Here for Install Video



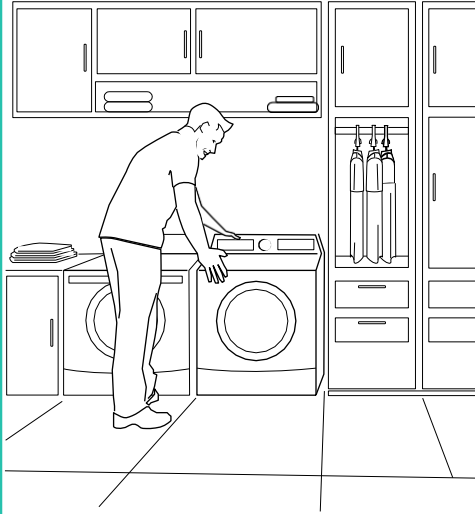
Metpure Laundry Washer RO/DI Splitter

(tee off existing laundry washer cold water supply)

SKU: LWOYS-25QC2-KIT

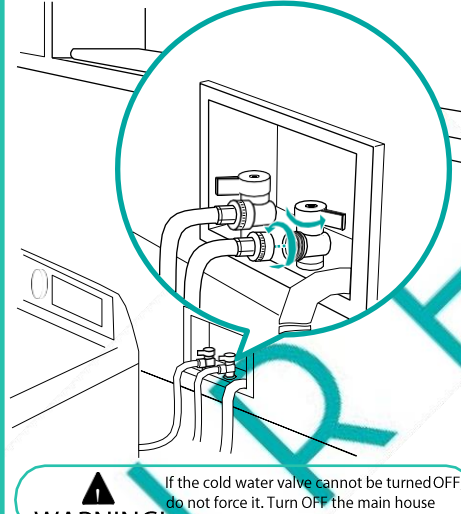
Installation Manual

Step 1



Locate the laundry box/hook up behind/next to the washer and the dryer.

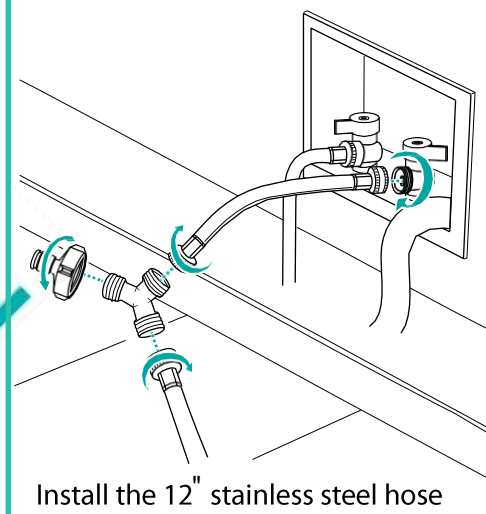
Step 2



WARNING! If the cold water valve cannot be turned OFF, do not force it. Turn OFF the main house water valve instead.

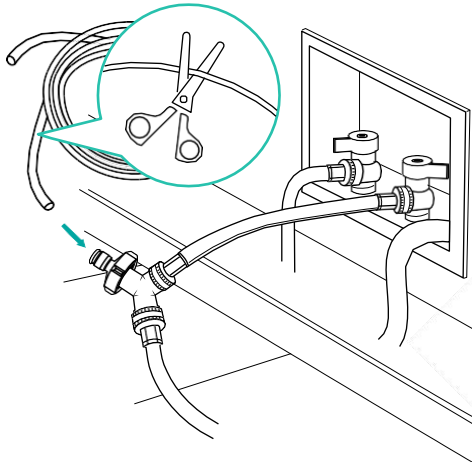
Turn OFF the cold water side of the washer hook up. Then disconnect existing washer hose from the valve.

Step 3



Install the 12" stainless steel hose to the valve. Then attach the Y adapter, then the quick connect female adapter (left or right at preference), then the existing washer hose.

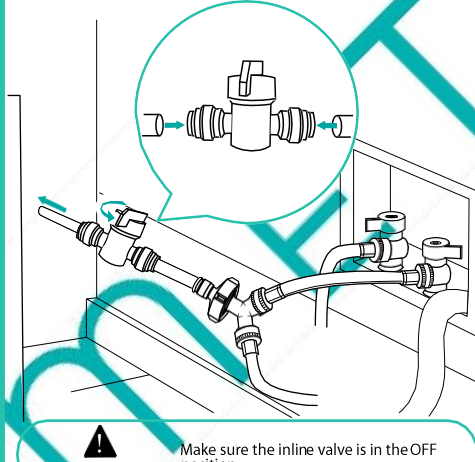
Step 4



WARNING! To prevent leak, make sure tubing is cut square leaving no fray or burr on the cut tubing ends.

Cut a small segment of 1/4" tubing and insert it into the quick connect female hose adapter.

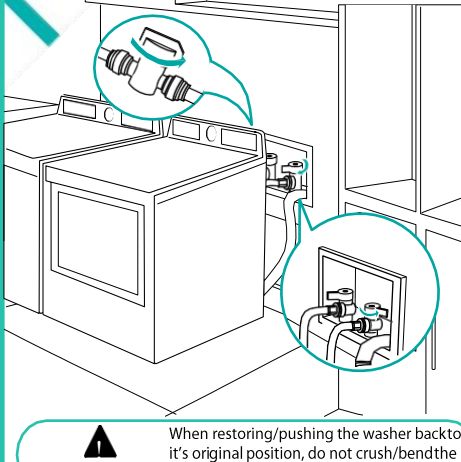
Step 5



WARNING! Make sure the inline valve is in the OFF position.

With the inline valve in the OFF position, insert it into the 1/4" tubing segment. Then run the rest of the 1/4" tubing to hook up to the RO/DI system.

Step 6



WARNING! When restoring/pushing the washer back to its original position, do not crush/bend the tubing or utility hoses installed.

Once everything is connected, turn ON the washer valve and the quick connect inline valve. Check for leak and restore washer to its original position.

Included Parts

1. QTY 1 roll; 25' of 1/4" OD white-colored NSF certified LLDPE tubing
2. QTY 1: 1/4"x 1/4" quick connect inline ball valve
3. QTY 1: 3/4" FHT x 1/4" quick connect female hose adapter
4. QTY 1: 3/4" MHT x 3/4" MHT x 3/4" MHT 'Y' adapter
5. QTY 1 : 12"x 3/4" FIP stainless steel hose

FAQ

1. Will this kit fit my application? Refer to the following:
 - I have an existing RO/DI system, and would like to split the feed from my laundry washer? - YES
 - I don't have a washer, but I found a hose bibb, will this work? - YES
 - I like to connect this from my undersink water supply valve and line, and run this to my fridge - NO. Use product SKU: ICEMK2514
 - I don't have a RO/DI system, but I do have a fridge I would like to connect to, will this work if I have a laundry washer/hose bibb next to it? - YES
2. Tubing is too long, can I cut it? Yes. Cut must be square and without fray or burr.
3. Tubing is too short, can I make it longer? Yes. Connect with 1/4" coupling and more tubing.
4. I accidentally damaged the line and there is a leak, what should I do? Cut the section that is leaking and get a 1/4" coupling and reconnect.
5. Can I install this outdoors? No. For indoors only. DO NOT USE FOR OUTDOORS as tubing will degrade when exposed to extreme elements.

Specifications

Use for COLD WATER food only.

Parts certified by UPC/NSF for potable water-food grade product.

Tubing temperature range: -50°F to 140°F

Working water pressure range: 130psi* @ 70°F - 60psi @ 140°F

*If feed water pressure is over 80psi, a pressure regulator is highly recommended to prevent product failure/leak.

Customer Support

Online: www.metpure.com/

Email: support@metpure.com

Warranty info: <https://www.metpure.com/pages/warranty>