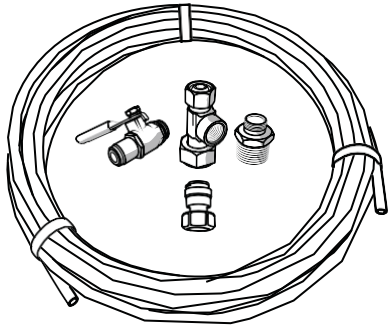


METPURE®



Metpure Ice Maker Fridge Installation Kit

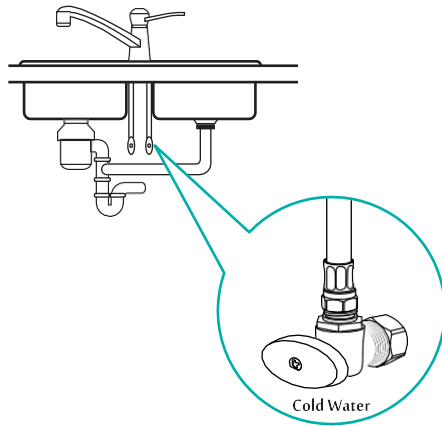
(tee off existing shut off valve with supply line)

SKU: ICEMK2514

UPC 850017170018

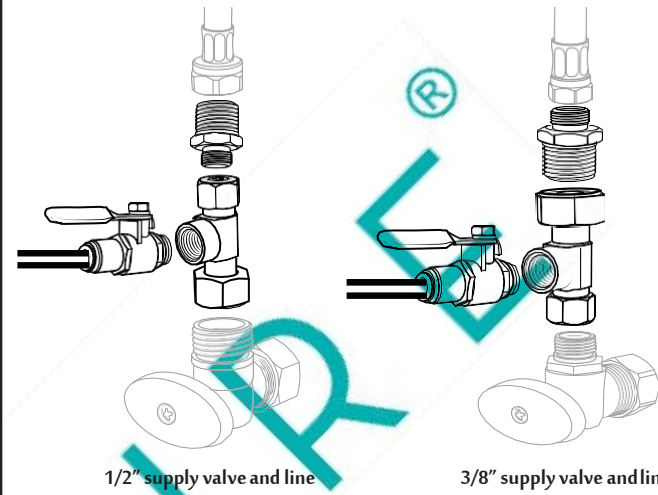
Installation Manual

Step - 1



Locate existing COLD WATER shut-off valve.

Step - 2



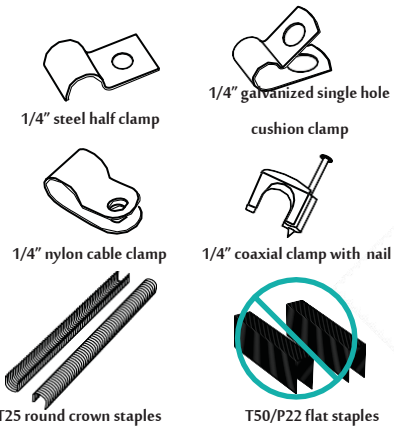
Determine size of existing supply valve (1/2" or 3/8") and install the Metpure EZROADP14 set and plug in tubing into the shut off valve. Scan code to see install video.



http://versatile.metpure.com/ezro-adapter_package

Step - 3

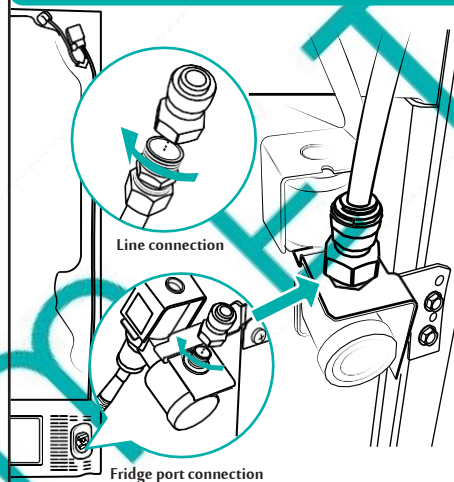
Recommended tubing supports (NOT INCLUDED)



WARNING! Be cautious when using pipe supports ensuring not to puncture the tubing during installation. When using a staple gun, do not use flat staples as they will pinch the tubing and cause a leak.

Run the tubing from shut off valve to point of use, such as icemaker, refrigerator, humidifier, etc.

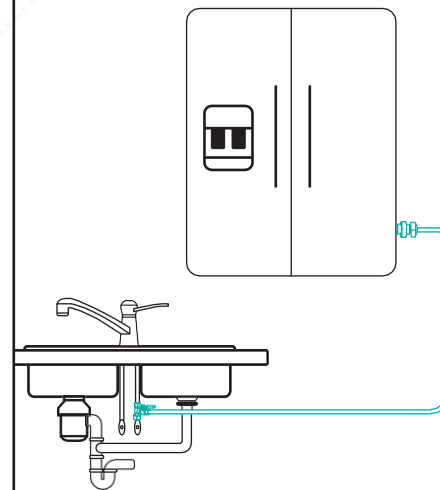
Step - 4



WARNING! Do not use any sealant/teflon tape on the threads; do not cross thread; do not use any tools to tighten; otherwise the female adapter may break or leak.

Connect tubing at appliance end using the included female quick connect adapter. Leave tubing enough slack on this end. Do not keep taut.

Step - 5



Once everything is connected, check for leak.

INCLUDED PARTS

- QTY 1 roll: 25' of 1/4" OD white-colored NSF certified LLDPE tubing
- QTY 1 package: Metpure EZROADP14 - includes 1/2" x 3/8" reducing the universal adapter tee, 1/4" quick connect ball valve
- QTY 1: 1/4" female x 1/4" quick connect adapter

FAQ

- Will this kit fit my application? Refer to the following:
 - I like to connect this from my undersink water supply valve and line, and run this to my fridge - YES.
 - I have a dedicated water supply valve behind my refrigerator and would like to use this kit to connect - NO. Use item PEX6FADP2D.
 - I have an existing filtration system, such as an RO system, and would like to split the filtered water into my fridge - NO. Use item ROFKIT2514.
 - I have a supply valve with a supply line and would like to tap into that to connect to my ice maker - YES.
- Tubing is too long, can I cut it? Yes. Cut must be square and without fray.
- Tubing is too short, can I make it longer? Yes. Connect with 1/4" coupling and more tubing.
- I accidentally damaged the line and there is a leak, what should I do? Cut the section that is leaking and get a 1/4" coupling and reconnect.
- Can I install this outdoors? No. For indoors only. DO NOT USE FOR OUTDOORS as tubing will degrade when exposed to extreme elements.

SPECIFICATIONS

Use for COLD WATER feed only.
Parts certified by NSF for potable water/food grade product.
Tubing temperature range: -50° F to 140° F

Working water pressure range: 130psi* @ 70° F – 60psi @ 140° F
* If feed water pressure is over 80psi, a pressure regulator is highly recommended to prevent system failure/leak.

CUSTOMER SUPPORT

Online: www.metpure.com
Email: support@metpure.com
Phone: 714-202-0019 M-F 9:30am-5:00pm PST
Warranty info: www.metpure.com/general-warranty-policy