



---

## FITTING MANUAL

---

**PRODUCT NAME : Front Bumper Raptor V1**  
**PART NO : OP 375**  
**CAR MODEL : FORD RAPTOR (2018-ON)**



**MADE IN THAILAND**



**OPTION 4WD**



**option4wdooffice**



**option.fourwd@gmail.com**

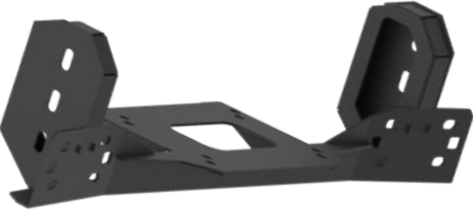
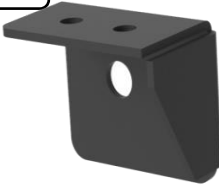

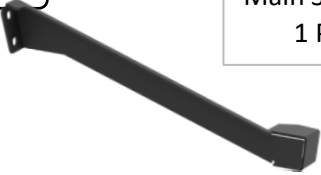



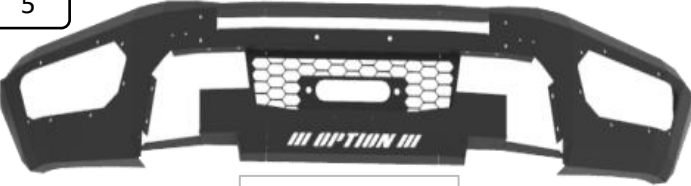
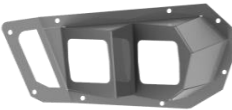
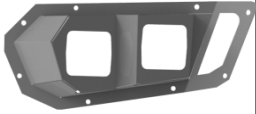
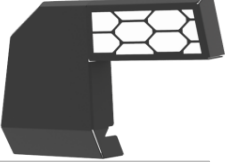
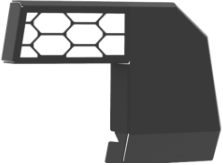



# PART LIST

PRODUCT NAME : Front Bumper Raptor V1

PART NO : OP 375

CAR MODEL : FORD RAPTOR (2018-ON)

<p>1</p>  <p>Main Support 1 Pcs.</p>	<p>2</p>  <p>Side Cover 1 Pcs.(L)</p>	 <p>Side Cover 1 Pcs.(R)</p>	
<p>3</p>  <p>PINCH 1 pcs (L)</p>	 <p>PINCH 1 pcs (R)</p>	<p>4</p>  <p>Side Cover 1 Pcs. (L)</p>	 <p>Side Cover 1 Pcs. (R)</p>
<p>5</p>  <p>Front Bumper 1 Pcs.</p>		<p>6</p>  <p>light Bracket 1 Pcs. (L)</p>	 <p>light Bracket 1 Pcs. (R)</p>
<p>7</p>  <p>Side Cover 1 Pcs. (L)</p>	 <p>Side Cover 1 Pcs. (R)</p>	<p>8</p>  <p>LED 4 Pcs.</p>	

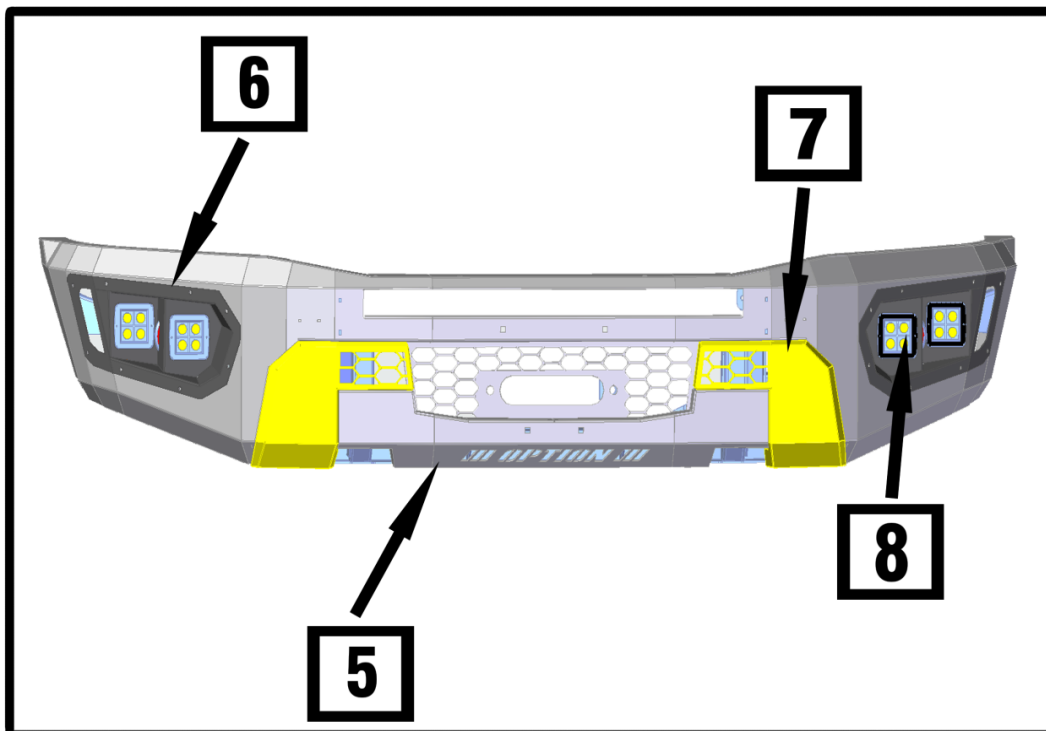
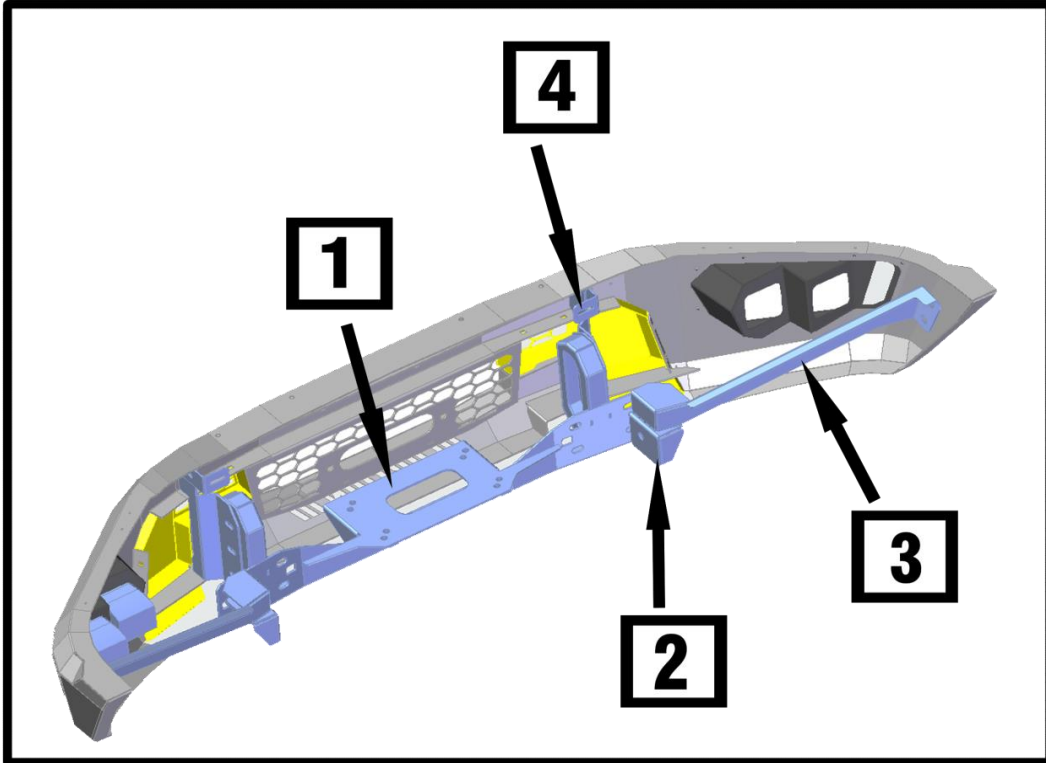


# FITTING INSTRUCTION

PRODUCT NAME : Front Bumper Raptor V1

PART NO : OP 375

CAR MODEL : FORD RAPTOR (2018-ON)



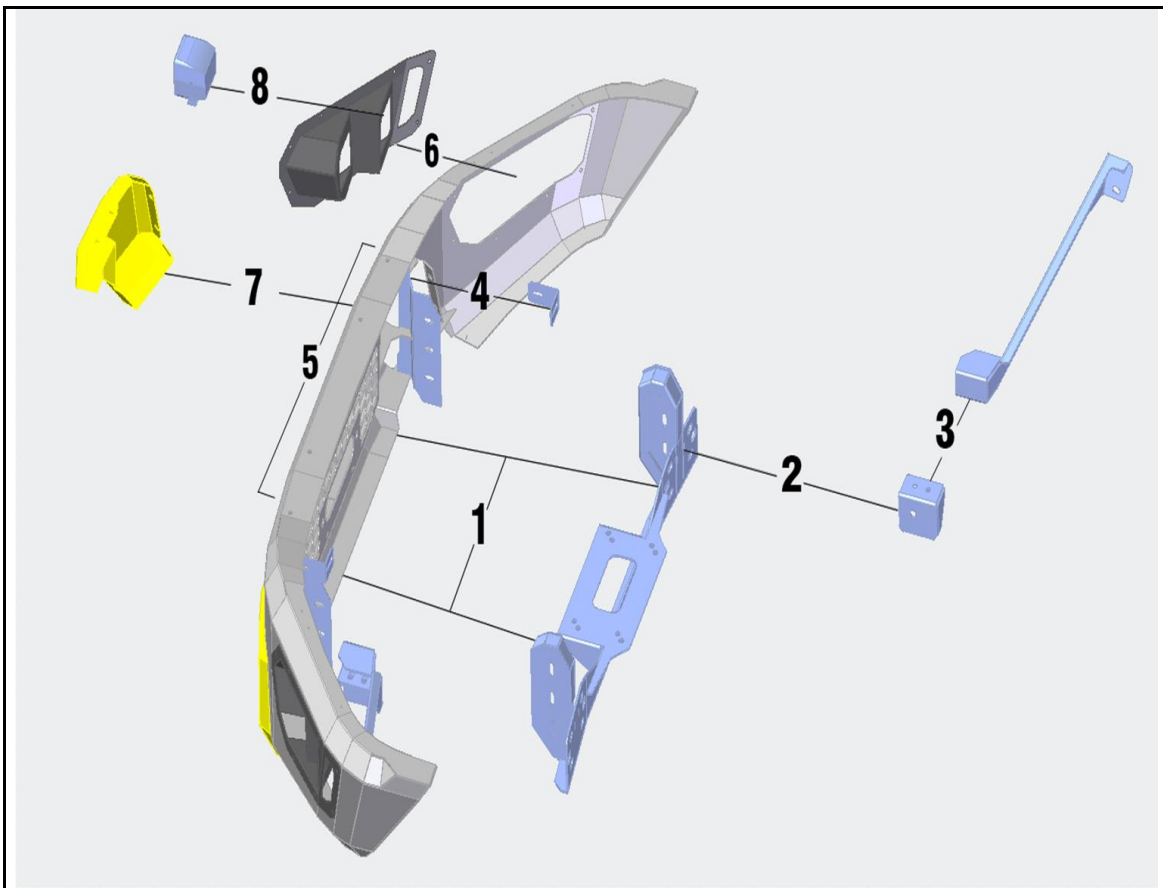


---

## FITTING INSTRUCTION

---

**PRODUCT NAME : Front Bumper Raptor V1**  
**PART NO : OP 375**  
**CAR MODEL : FORD RAPTOR (2018-ON)**





## PART LIST

**PRODUCT NAME : Front Bumper Raptor V1**  
**PART NO : OP 375**

NO.	PICTURE	NAME	QTY	UNIT	NOTE
1		M6x1x20	26	Pcs.	
		WASHERS M6	26	Pcs.	
		FLANG NUT M6	16	Pcs.	
		CAGE NUT M6	10	Pcs.	
2		M10x1.25x30	18	Pcs.	
		WAHSERS 3/8	36	Pcs.	
		Sping Washers M10	18	Pcs.	
		FLANG NUT M10x1.25	18	Pcs.	
3		M12x1.25x100	2	Pcs.	
		WAHSERS M12	4	Pcs.	
		HUT NUT M12x1.25	2	Pcs.	
4		M8x1.25x20	4	Pcs.	
		WAHSERS M8	8	Pcs.	
		FLANG NUT M8x1.25	4	Pcs.	
5		M10x1.5x30	4	Pcs.	
		wahsers 3/8	8	Pcs.	
		sping Washers M10	4	Pcs.	
		Flang nut M10x1.5	4	Pcs.	