

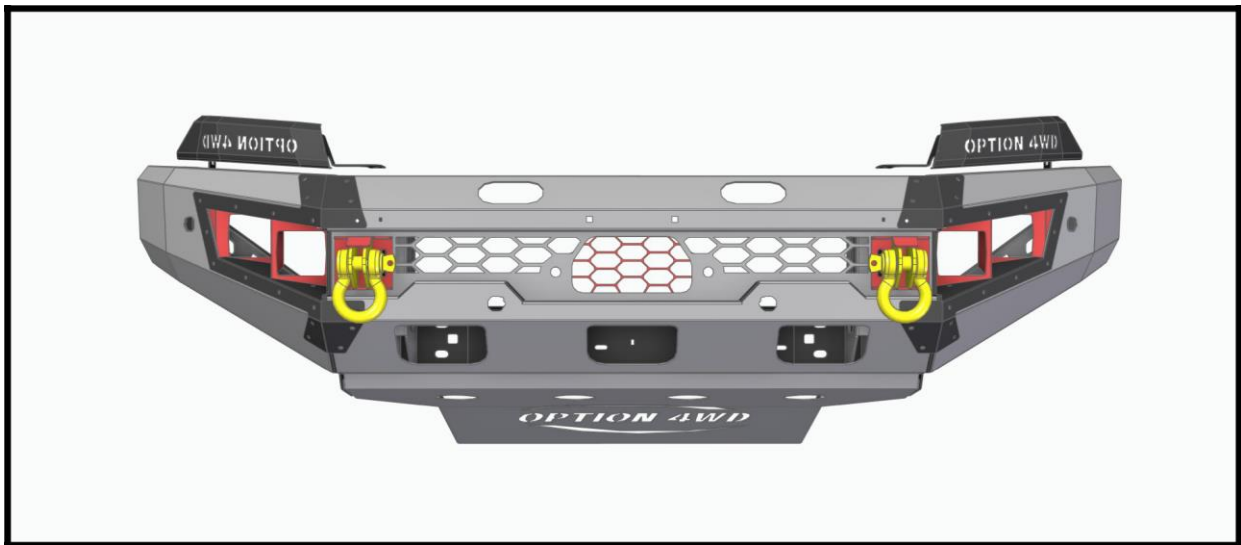


Fitting Manual

Product Name : Ford T7 V.1 2018 Front Bumper

Car Model : Ford Ranger (2015-On)

Part No. : OP 354 Ford T7 V.1 2018 Front Bumper



MADE IN THAILAND



OPTION 4WD



option4wdofficial



info@option4wd.co.th



Part List

Product Name : Ford T7 V.1 2018 Front Bumper

Car Model : Ford Ranger (2015-On)

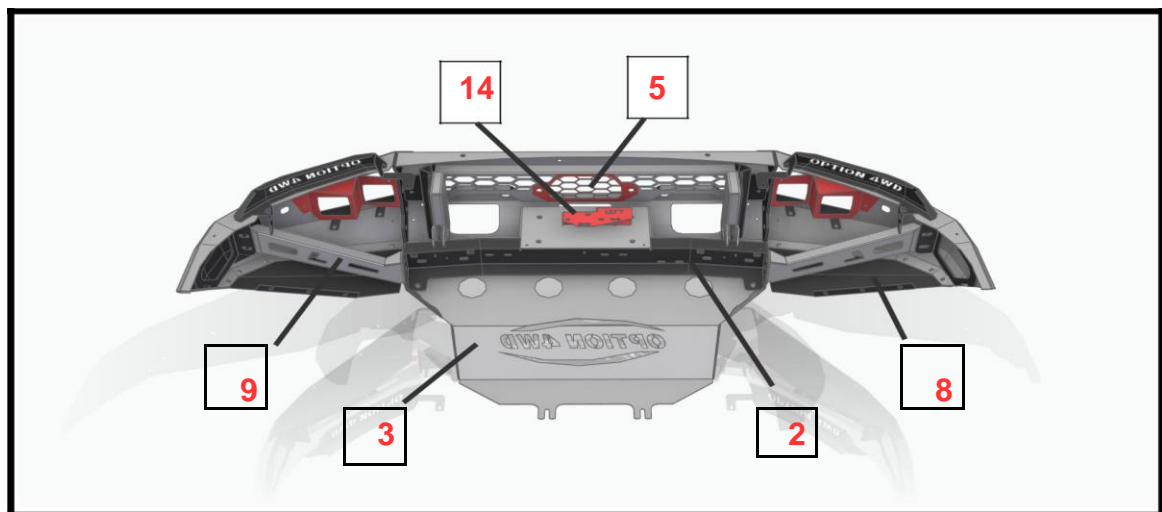
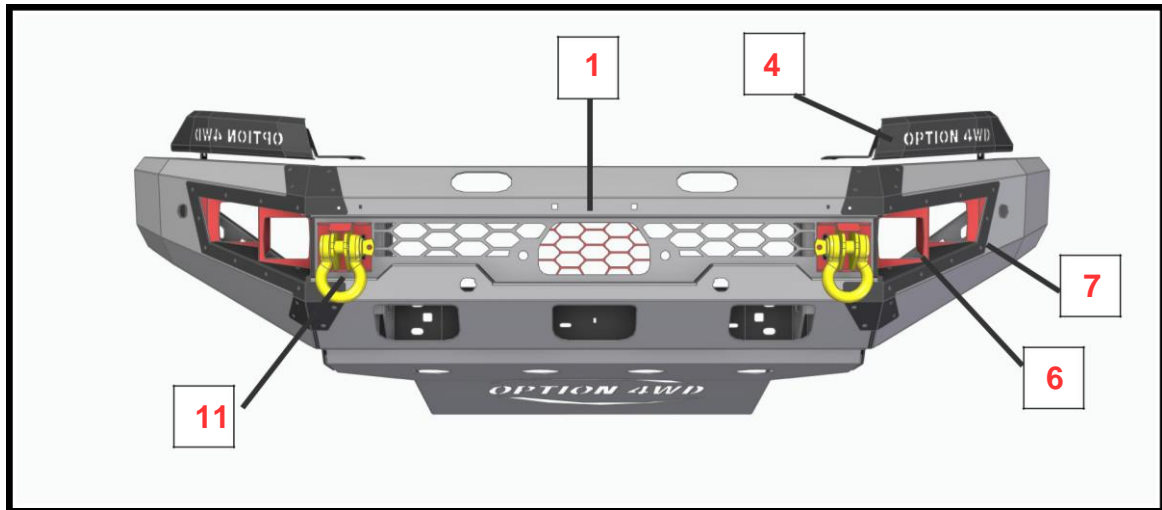
<p>1</p>  <p>Front Bumper 1 Pcs.</p>	<p>2</p>  <p>Main Support 1 Pcs.</p>	<p>3</p>  <p>Protector 1 Pcs.</p>
<p>4</p>  <p>Brow 1 Set (L+R)</p>	<p>5</p>  <p>Center Cover 1 Pcs.</p>	<p>6</p>  <p>Light Bracket 1 Set (L+R)</p>
<p>7</p>  <p>Side Cover 1 Set (L+R)</p>	<p>8</p>  <p>Side Protector 1 Set (L+R)</p>	<p>9</p>  <p>Side Support 1 Set (L+R)</p>
<p>10</p>  <p>Plate License Bracket 1 Pcs.</p>	<p>11</p>  <p>Tow Loop 1 Set (L+R)</p>	<p>12</p>  <p>Led 4 Pcs.</p>
<p>13</p>  <p>Old Sync3 Bracket 1 Pcs. (Ford Under 2018)</p>	<p>14</p>  <p>New Sync3 Bracket 1 Pcs. (Ford 2018 - On)</p>	



Fitting Instruction

Product Name : Ford T7 V.1 2018 Front Bumper

Car Model : Ford Ranger (2015-On)














Part List

Product Name : Ford T7 V.1 2018 Front Bumper

Car Model : Ford Ranger (2015-On)

No.	Picture	Name	Qty	Unit	Note
1		M 6x1x20	75	Pcs.	
		Washers M 6	75	Pcs.	
		Flange Nut M 6x1	53	Pcs.	
2		M 10x1.25x30	30	Pcs.	
		Washers 3/8	80	Pcs.	
		Spring Washers M 10	40	Pcs.	
		Flange Nut M 10x1.25	32	Pcs.	
3		M 10 Flange x1.25x30	10	Pcs.	
4		Cage Nut M 6	22	Pcs.	



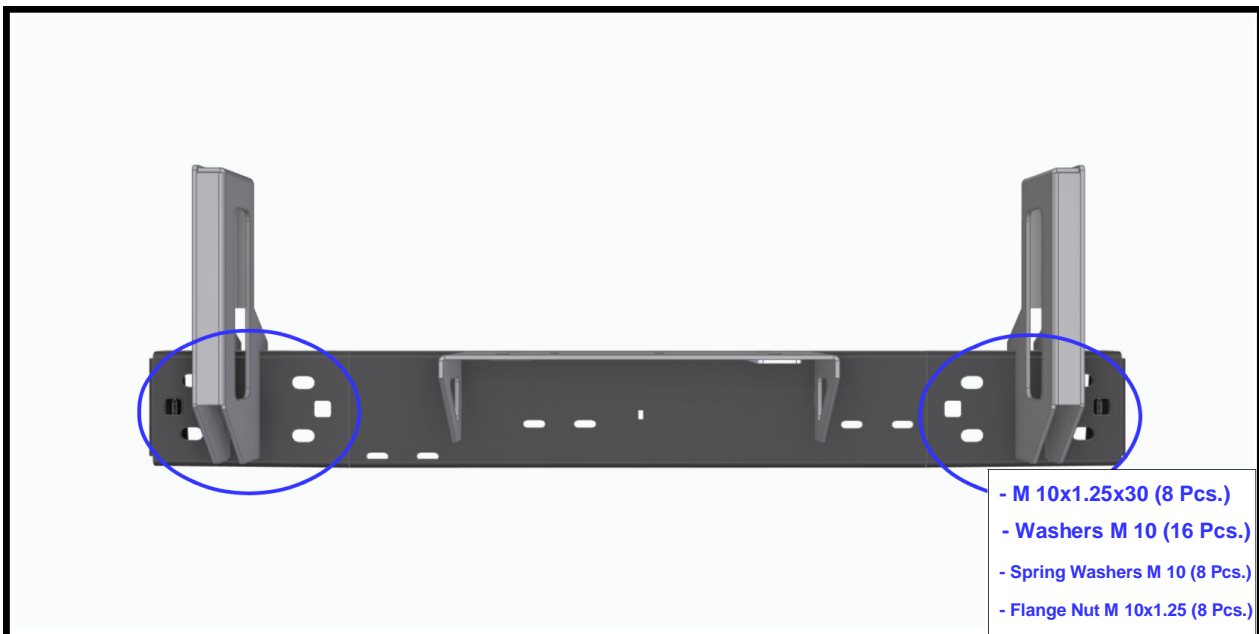
Torque Setting of Fastener

Mounting bolts must be tightened to torque's specified following;

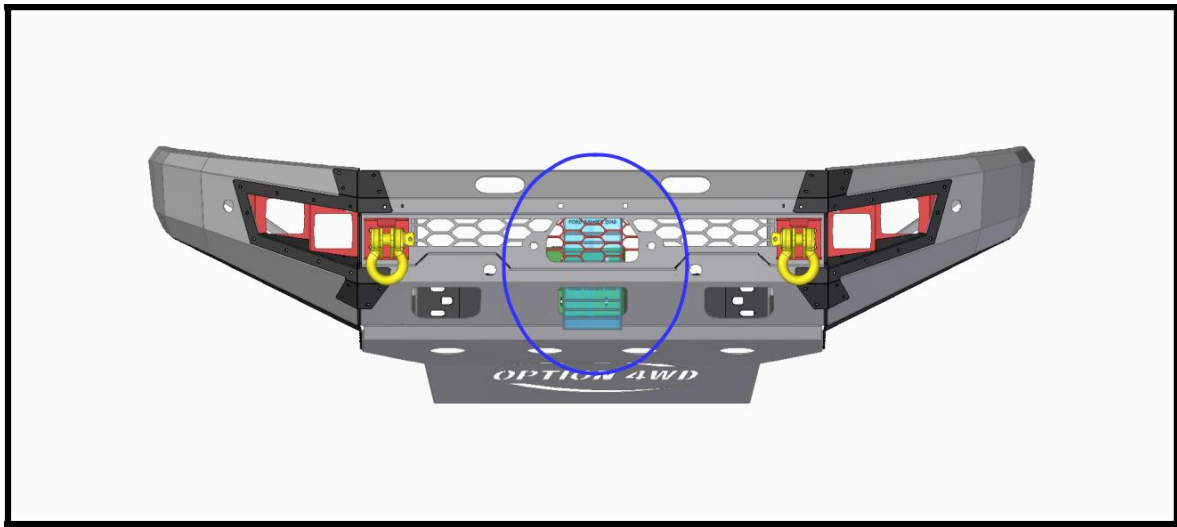
Bolt Diameter (mm.)	Torque (Nm)	Torque (ft.lb)
M 6	12	9
M 8	22	16
M 10	45	33

Fitting Instructions of Ford T7 V.1 2018 Front Bumper

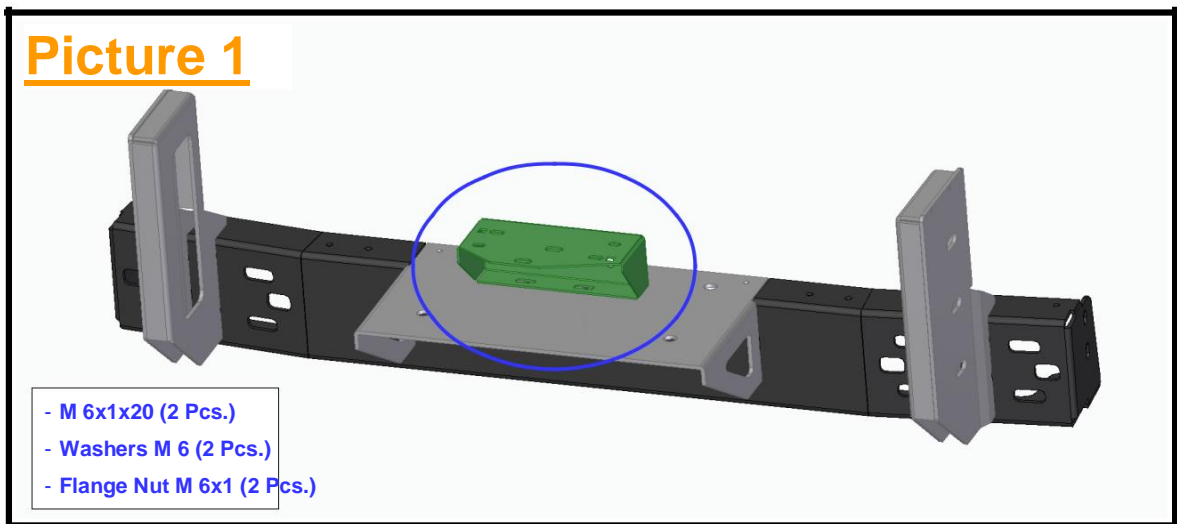
Installation Both Left side and right side are alike.



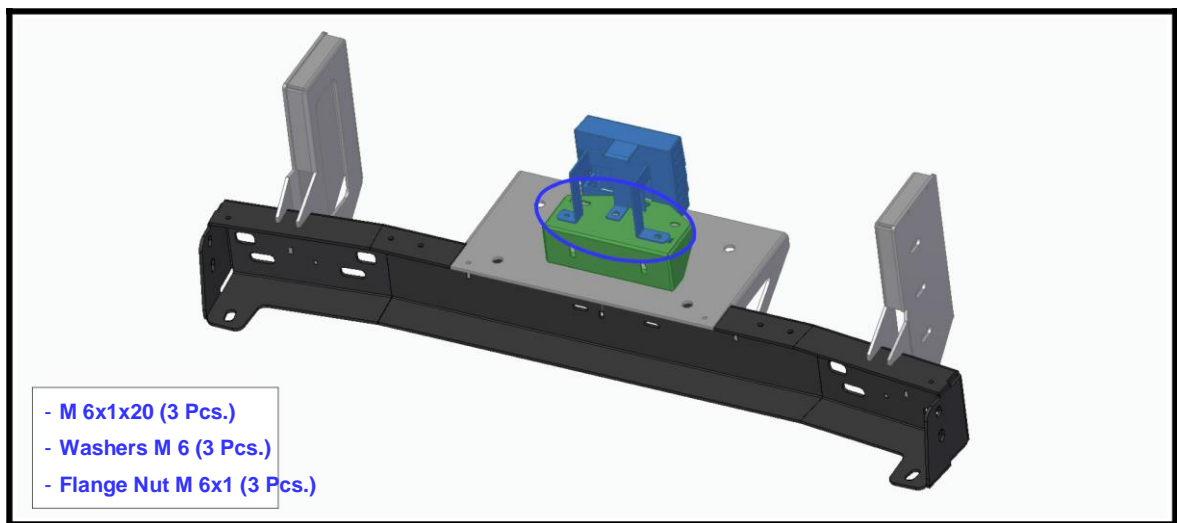
New Sync3 box can be in 2 positions. (Blue Box) for Ford 2018-On



Picture 1



- M 6x1x20 (2 Pcs.)
- Washers M 6 (2 Pcs.)
- Flange Nut M 6x1 (2 Pcs.)

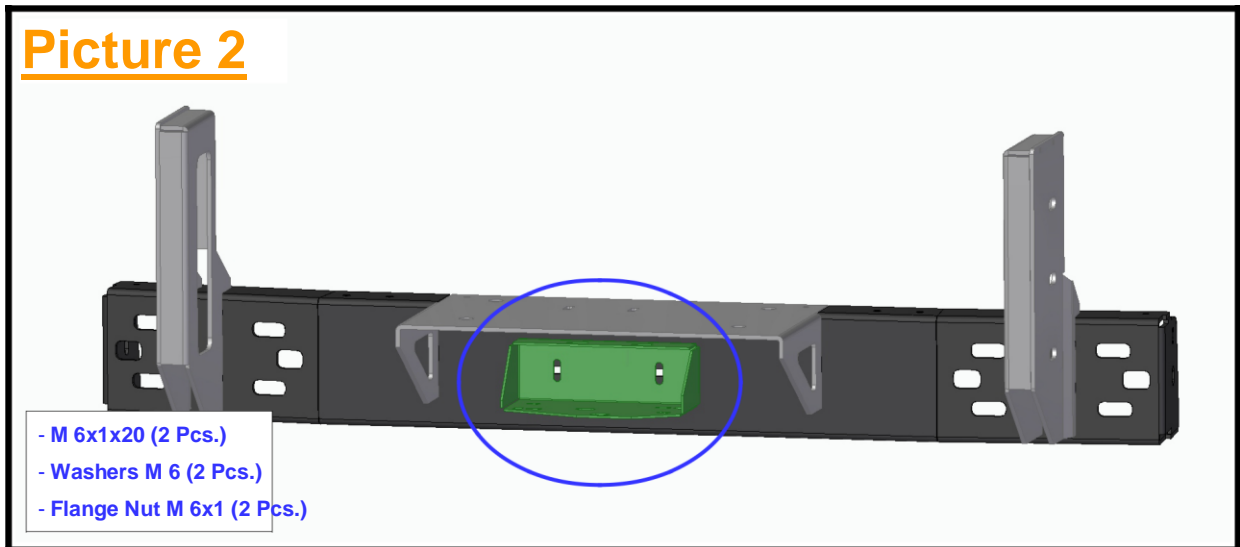


- M 6x1x20 (3 Pcs.)
- Washers M 6 (3 Pcs.)
- Flange Nut M 6x1 (3 Pcs.)

If you do not use winch you can set the sync3 box to the top position. Just set the New Sync3 Bracket's position as **Picture 1**

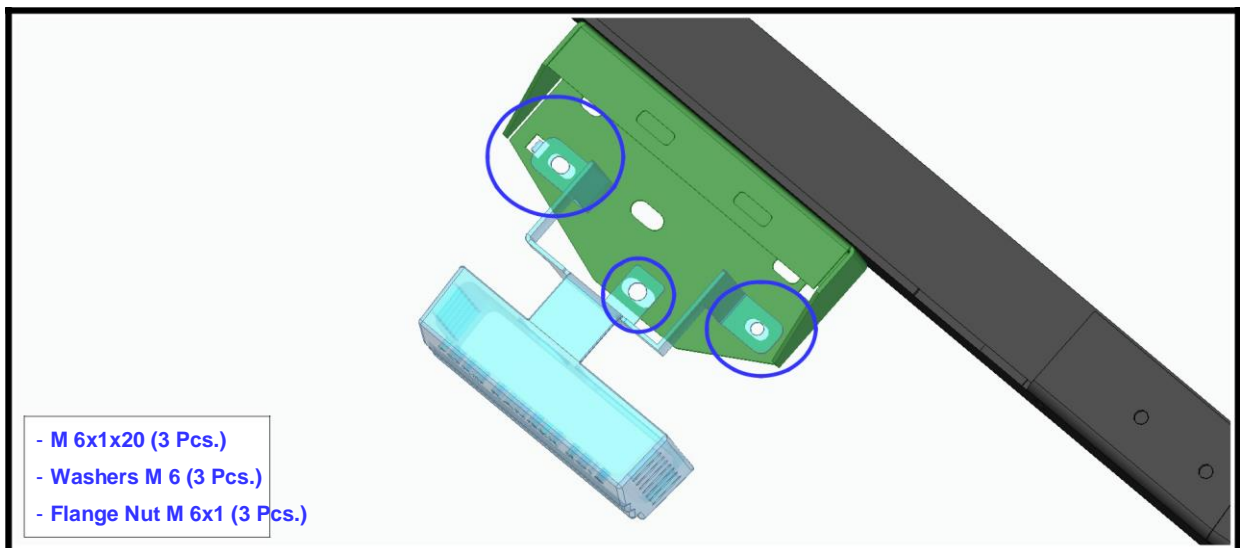
Or if you use winch you can move sync3 to below position.

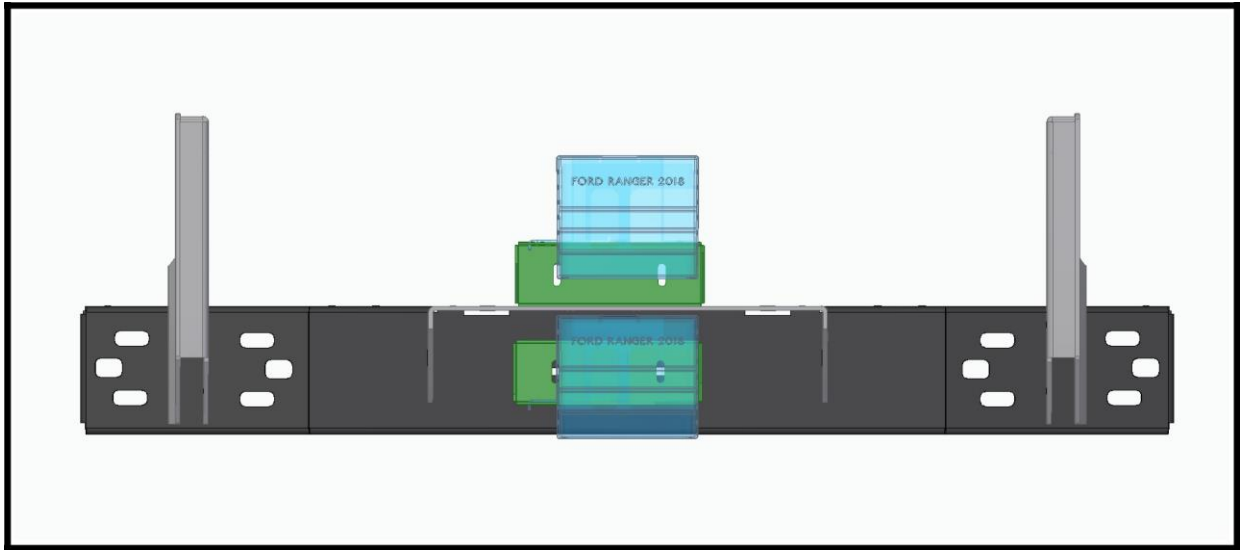
Picture 2



Below Position

You just rotate the New Sync3 Bracket down as [Picture 2](#)





Old Sync3 box can be in Left and Right (Red Box) For Ford under 2018.

