

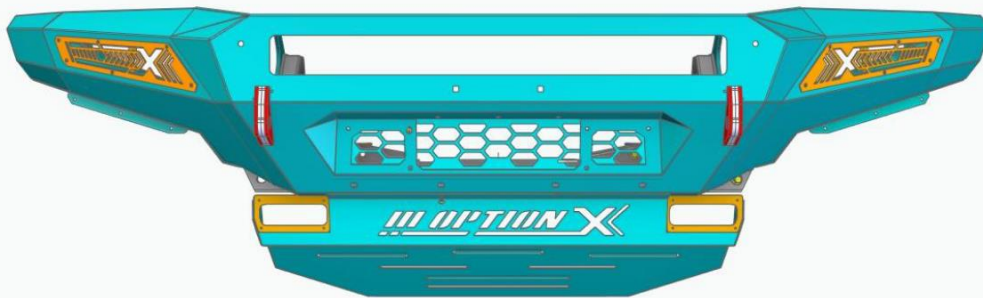


# Fitting Manual

Product Name : Raptor X Front Bumper

Car Model : Ford Raptor (2018-On)

Part No. : OP 328 Raptor X Front Bumper, OP 340 Raptor X Winch



MADE IN THAILAND



OPTION 4WD



option4wdofficial




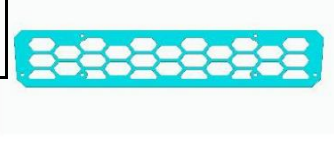




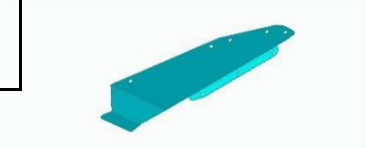






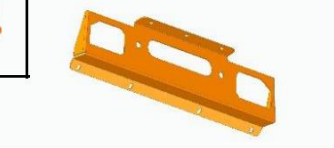
info@option4wd.co.th



# Part List

Product Name : Raptor X Front Bumper

Car Model : Ford Raptor (2018-On)

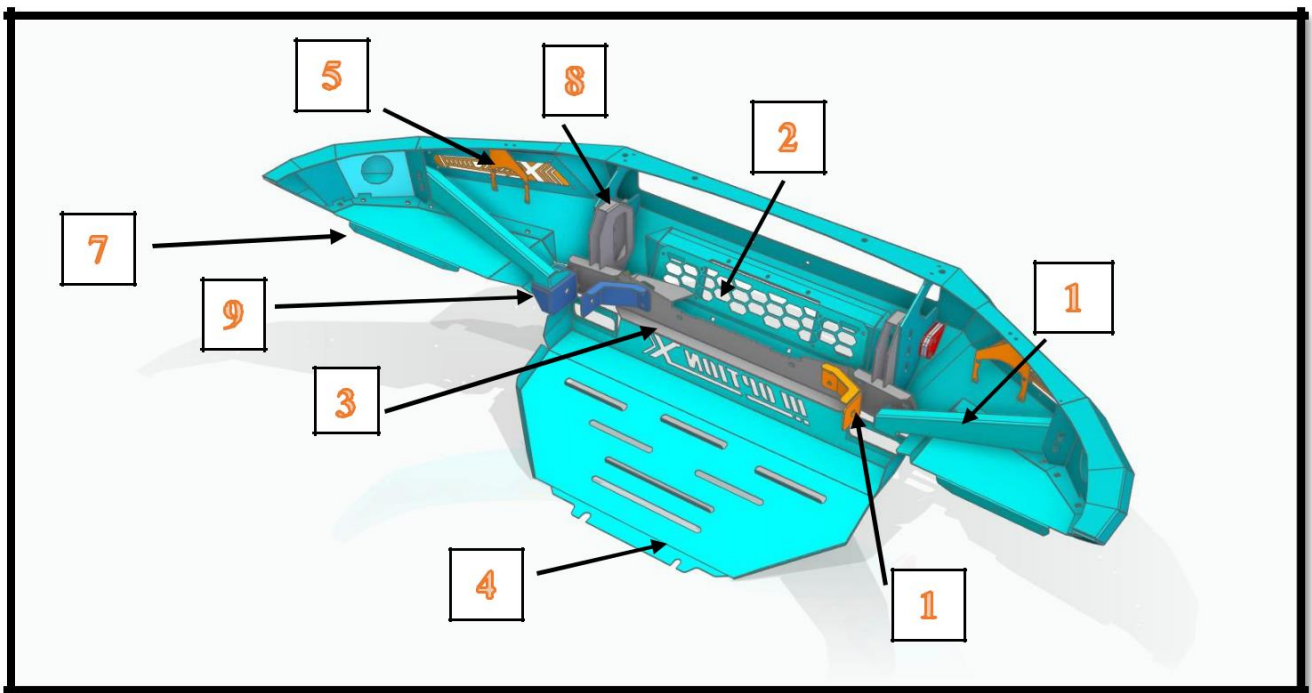
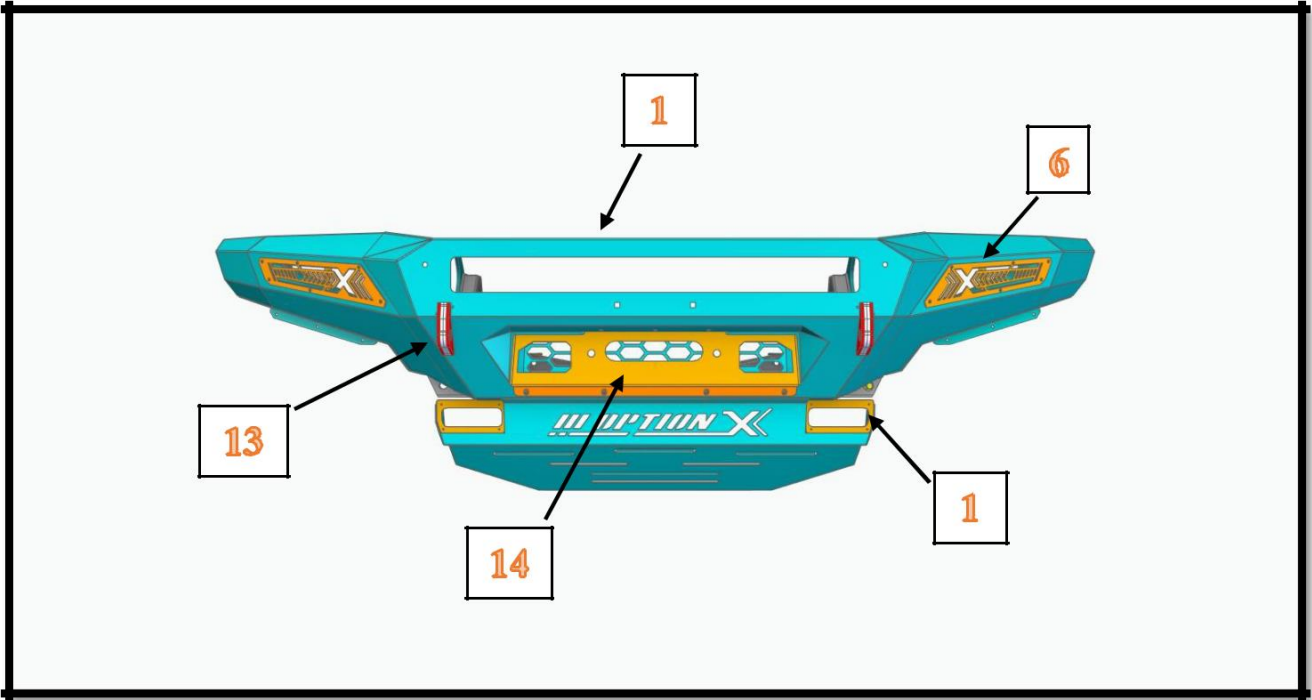
<p>1</p>  <p>Bumper 1 Pcs.</p>	<p>2</p>  <p>Cover 1 Pcs.</p>	<p>3</p>  <p>Support 1 Pcs.</p>
<p>4</p>  <p>Protector 1 Pcs.</p>	<p>5</p>  <p>Light Bracket 1 Set (L+R)</p>	<p>6</p>  <p>Side Cover 1 Set (L+R)</p>
<p>7</p>  <p>Side Protector 1 Set (L+R)</p>	<p>8</p>  <p>Support 1 Set (L+R)</p>	<p>9</p>  <p>Support 1 Set (L+R)</p>
<p>10</p>  <p>Side Support 1 Set (L+R)</p>	<p>11</p>  <p>Support 1 Set (L+R)</p>	<p>12</p>  <p>Cover Tow Loop 1 Set (L+R)</p>
<p>13</p>  <p>Tow Loop 1 Set (L+R)</p>	<p>14</p>  <p>Cover 1 Pcs.</p>	



# Fitting Instruction

Product Name : Raptor X Front Bumper

Car Model : Ford Raptor (2018-On)





## PART LIST

PRODUCT NAME : Raptor X Front Bumper

Car Model : Ford Raptor (2018-ON)

NO.	PICTURE	NAME	QTY	UNIT	NOTE
1		M6x1.0x20	60	Pcs.	
		WASHERS M6	57	Pcs.	
		Flange Nut M6x1	41	Pcs.	
2		M10x1.25x30	18	Pcs.	
		Washers 3/8	68	Pcs.	
		Spring Washers M10	34	Pcs.	
		Flange nut M10x1.25	18	Pcs.	
3		Nut M10x1x25	4	Pcs.	
4		M10x1.5x30	12	Pcs.	
		Flange Nut M10x1.5	4	Pcs.	
5		M12x1.25x90	2	Pcs.	
		Washer M12	4	Pcs.	
		Hex Nut M 12x1.25	2	Pcs.	
6		Cage Nut M6	23	Pcs.	
7		M 10x1.25x50	4	Pcs.	
8		Blind Rivet 1/8"x3/8"	8	Pcs.	



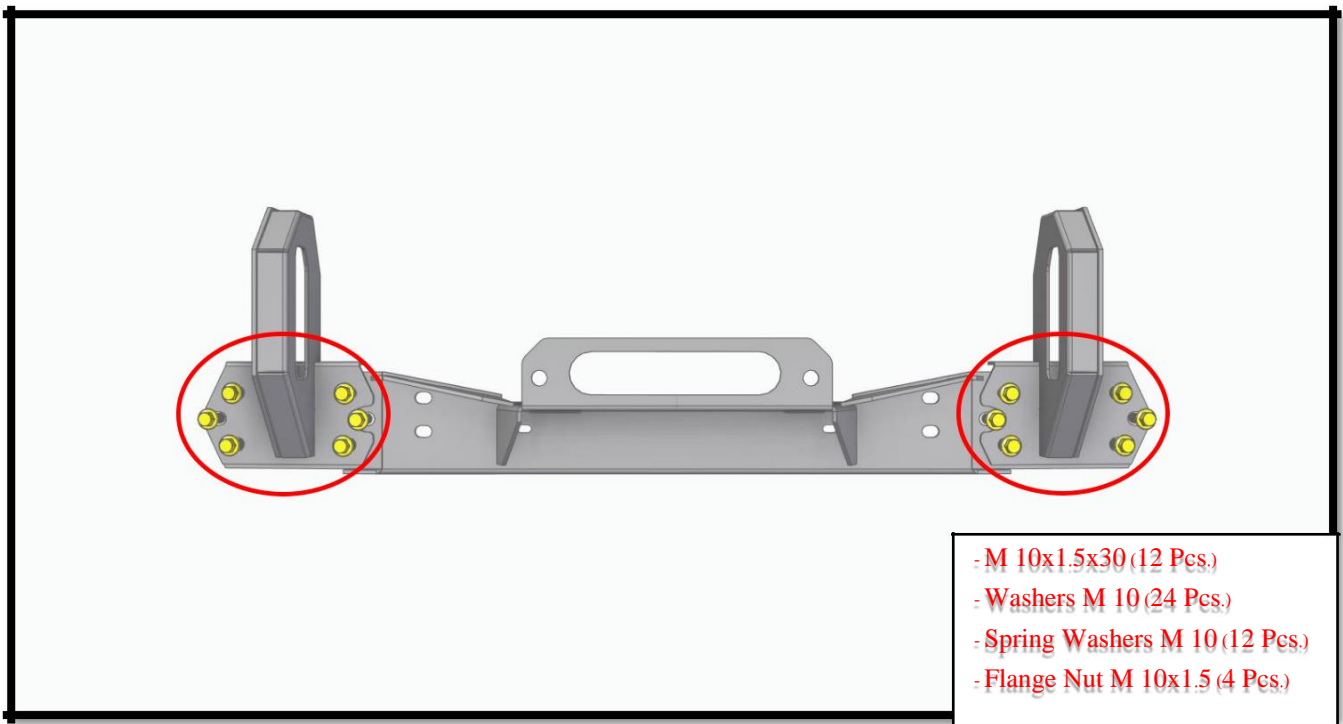
# Torque Setting of Fastener

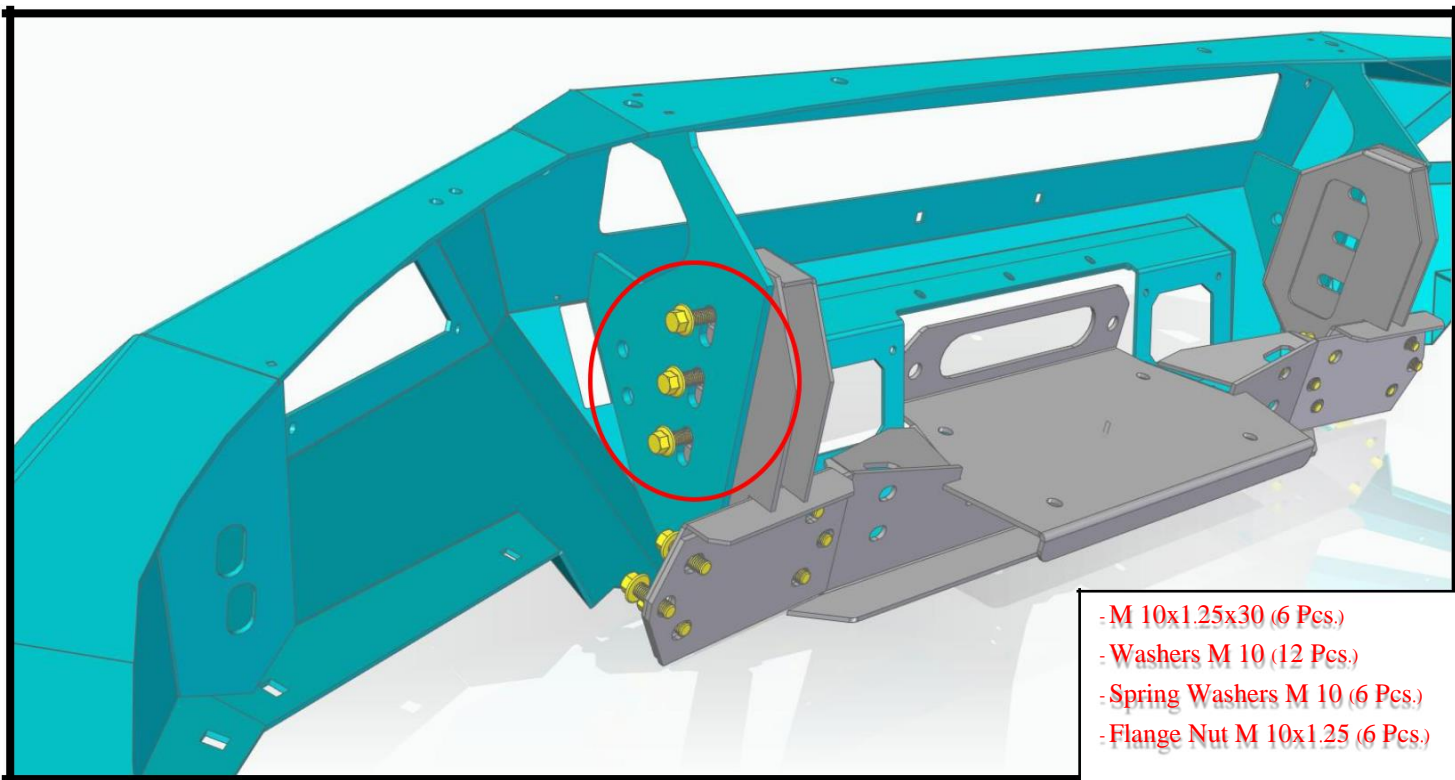
Mounting bolts must be tightened to torque's specified following;

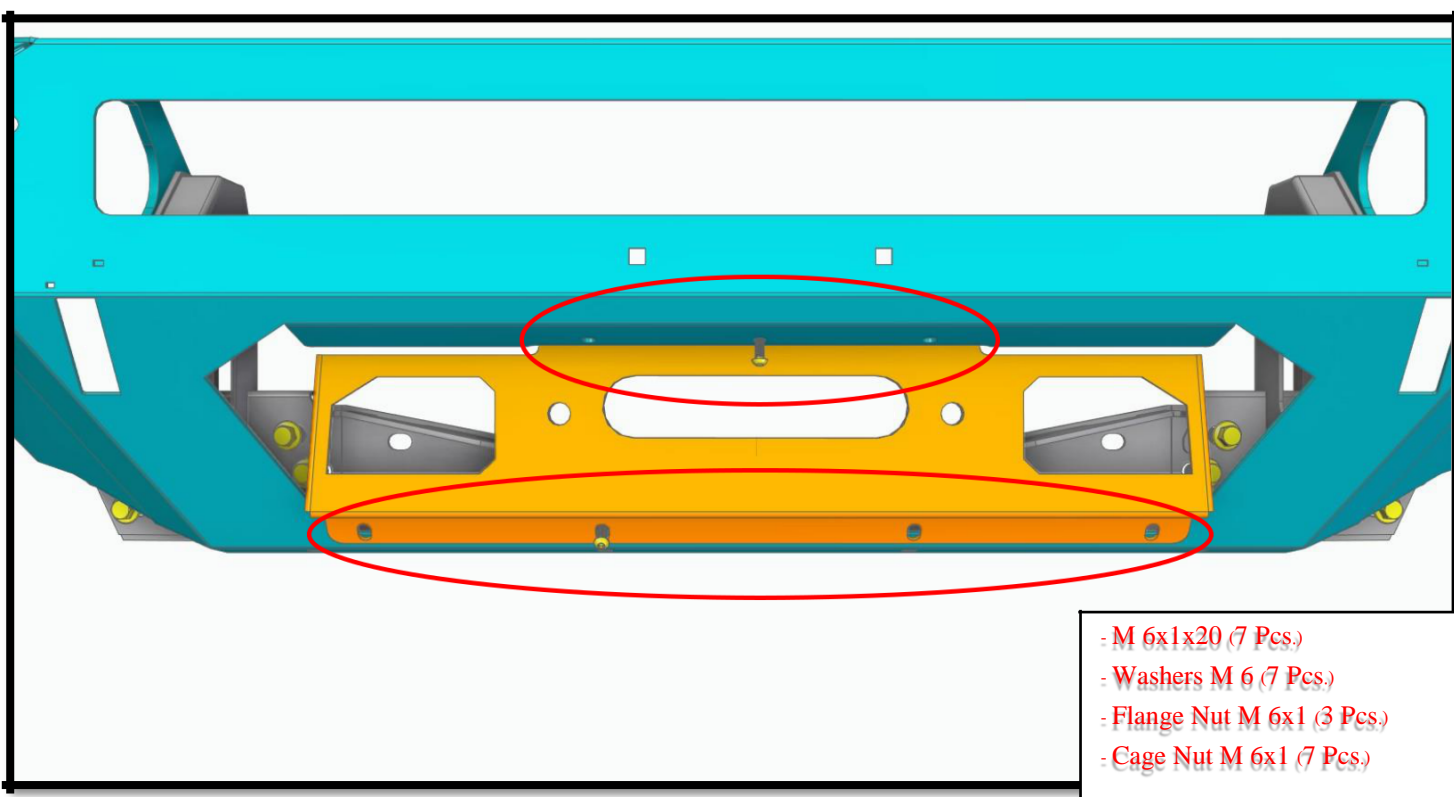
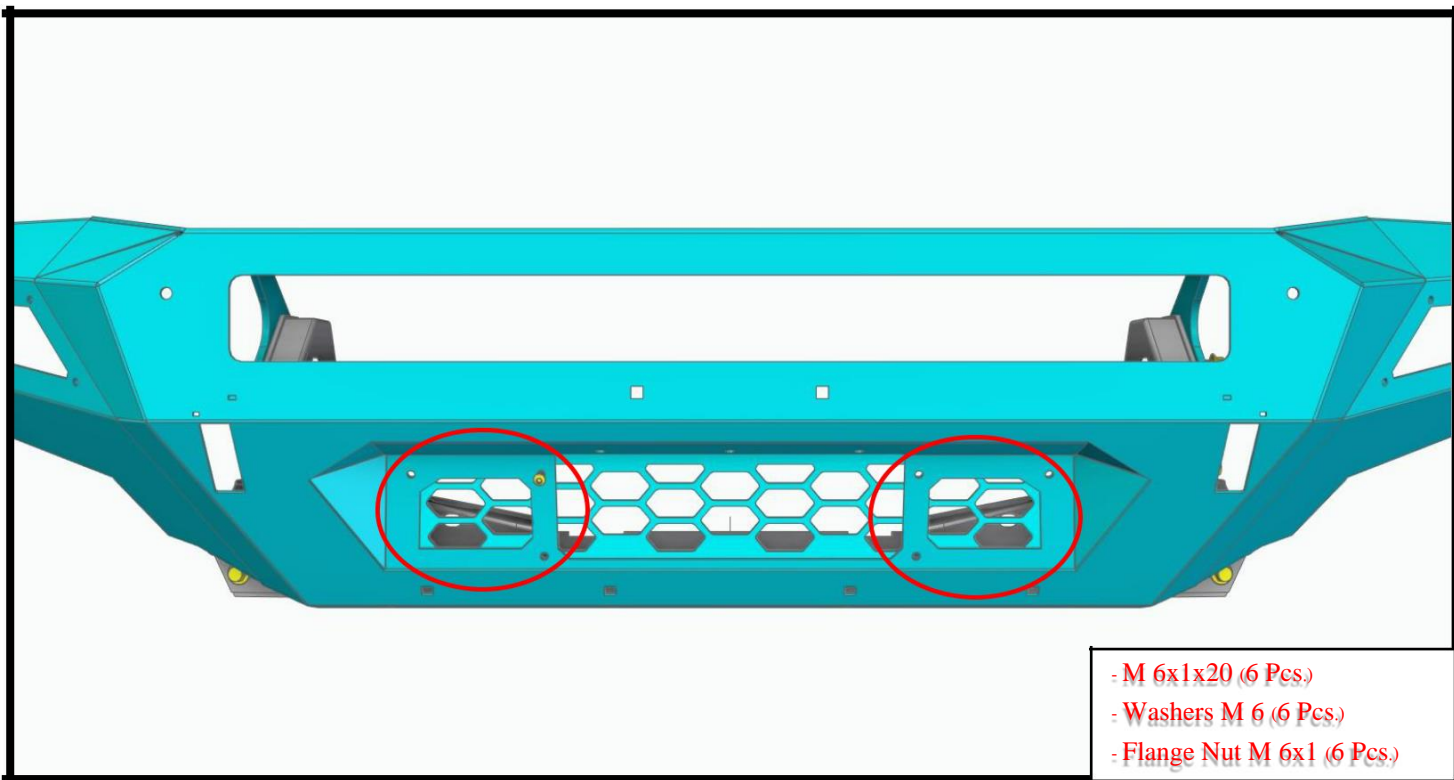
Bolt Diameter (mm.)	Torque (Nm)	Torque (ft.lb)
M 8	22	16
M 12	77	57

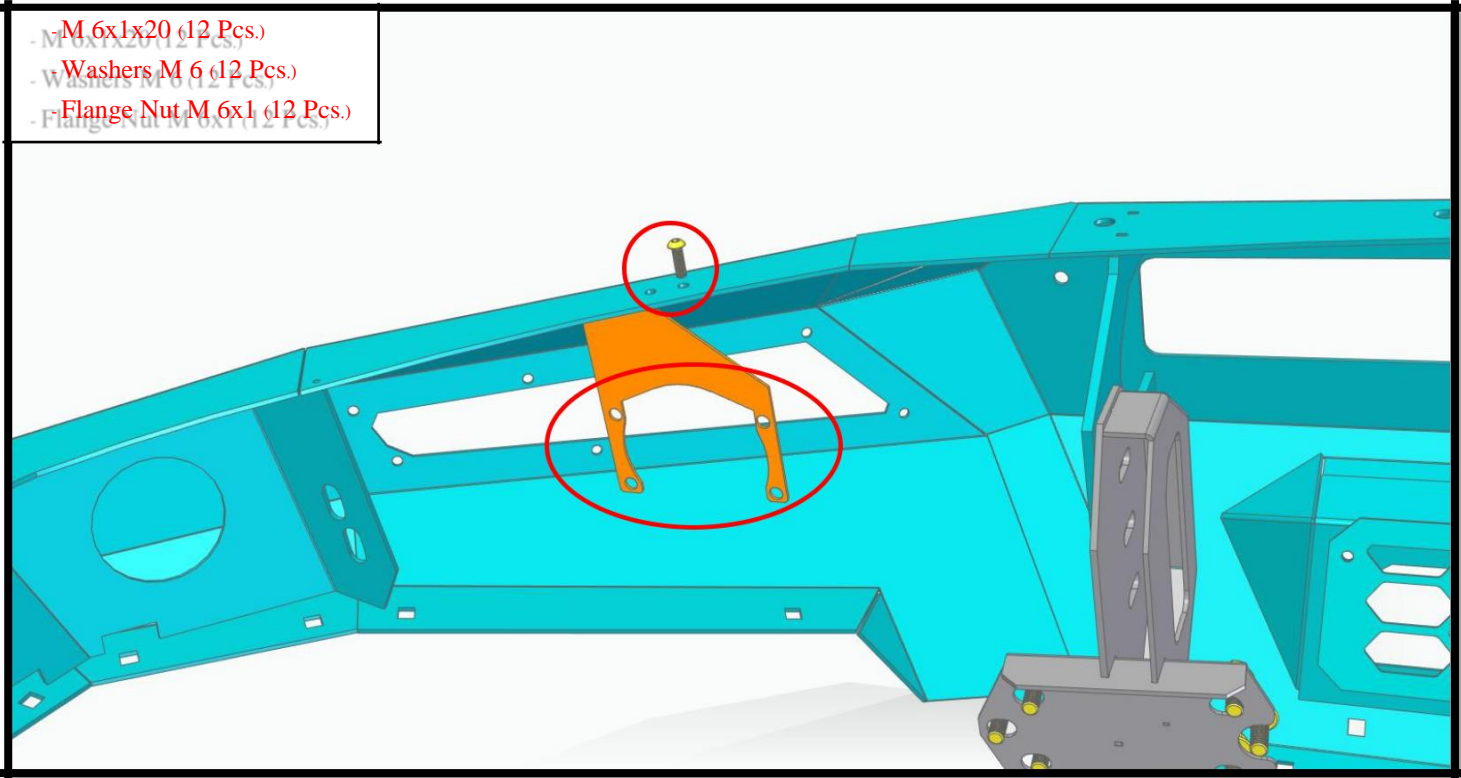
## Fitting Instructions of Raptor X Front Bumper

Installation Both Left side and right side are alike.

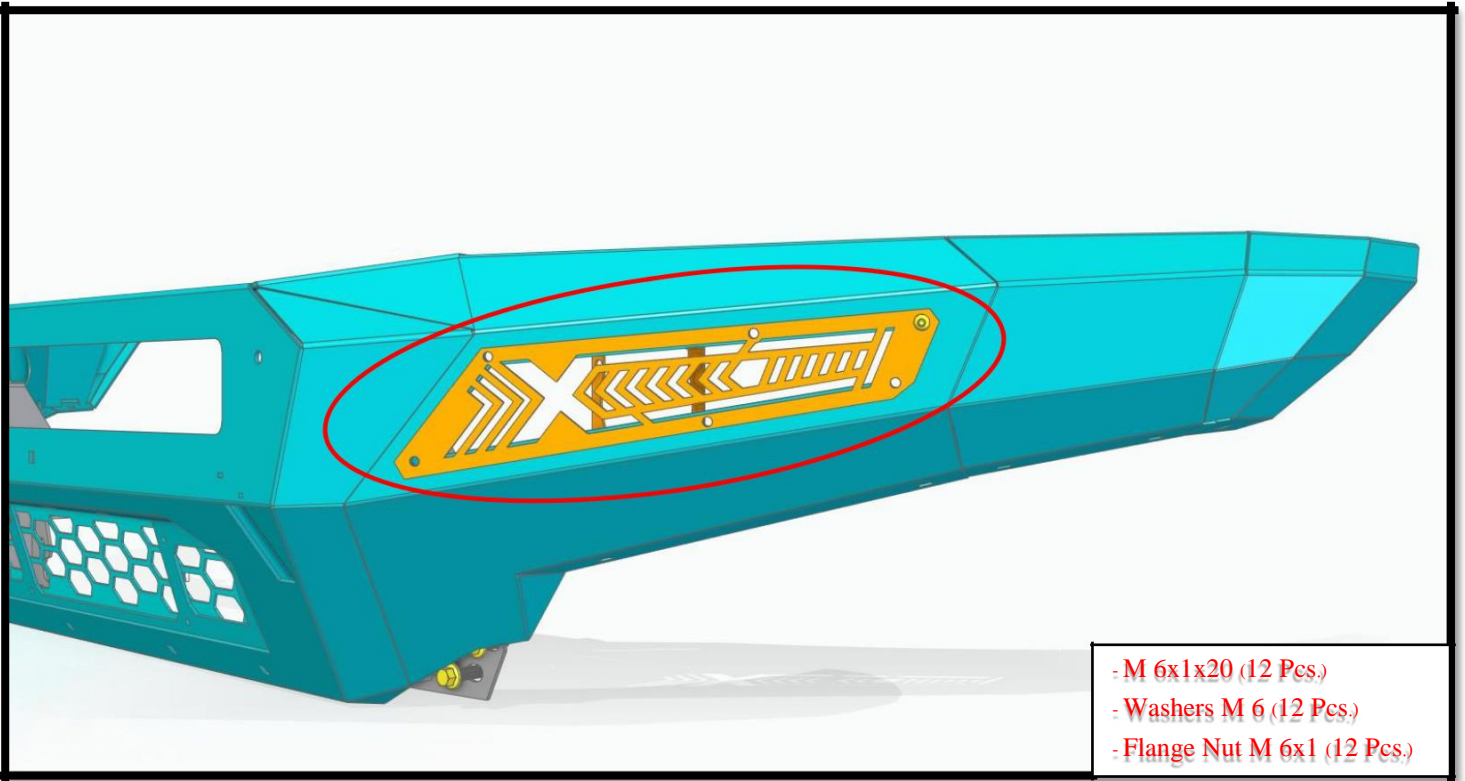




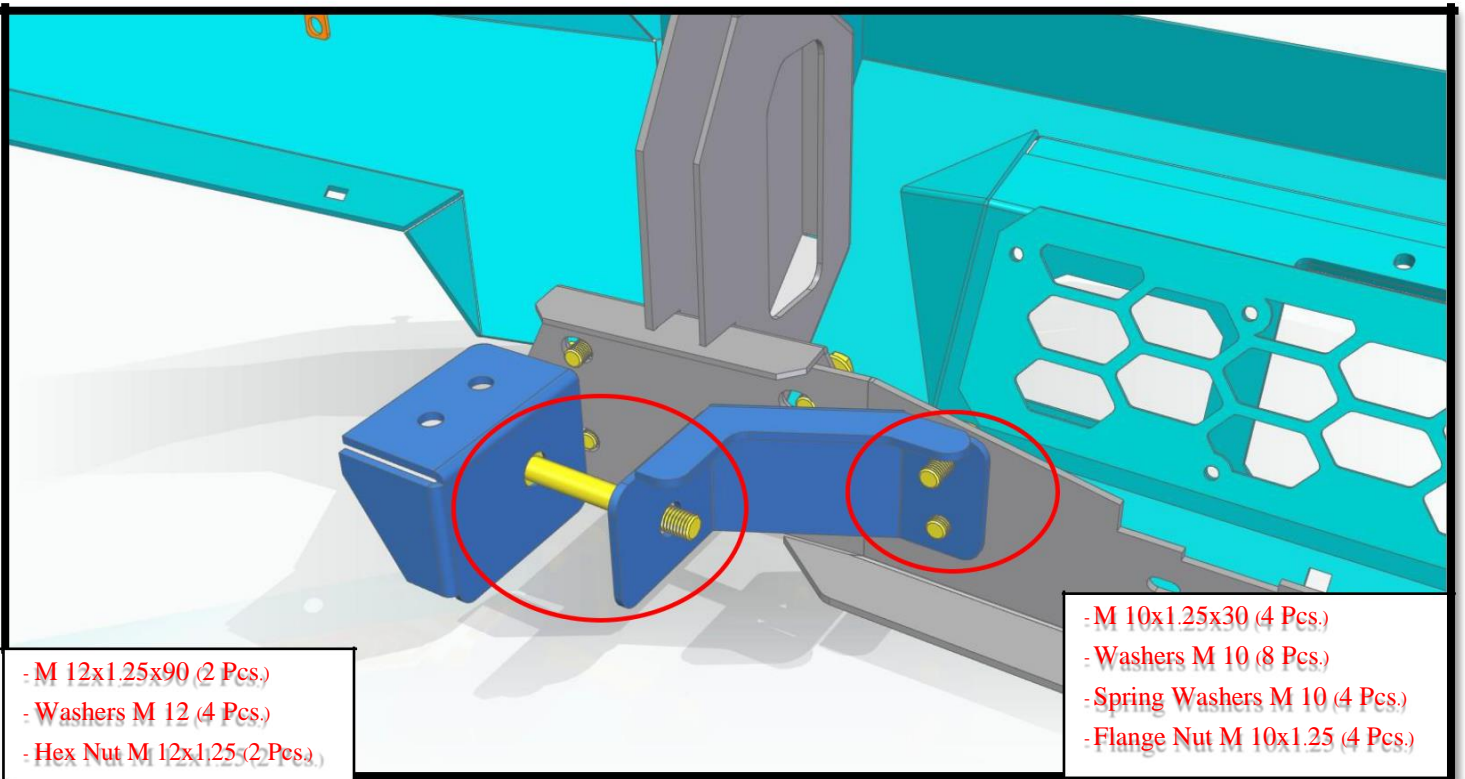






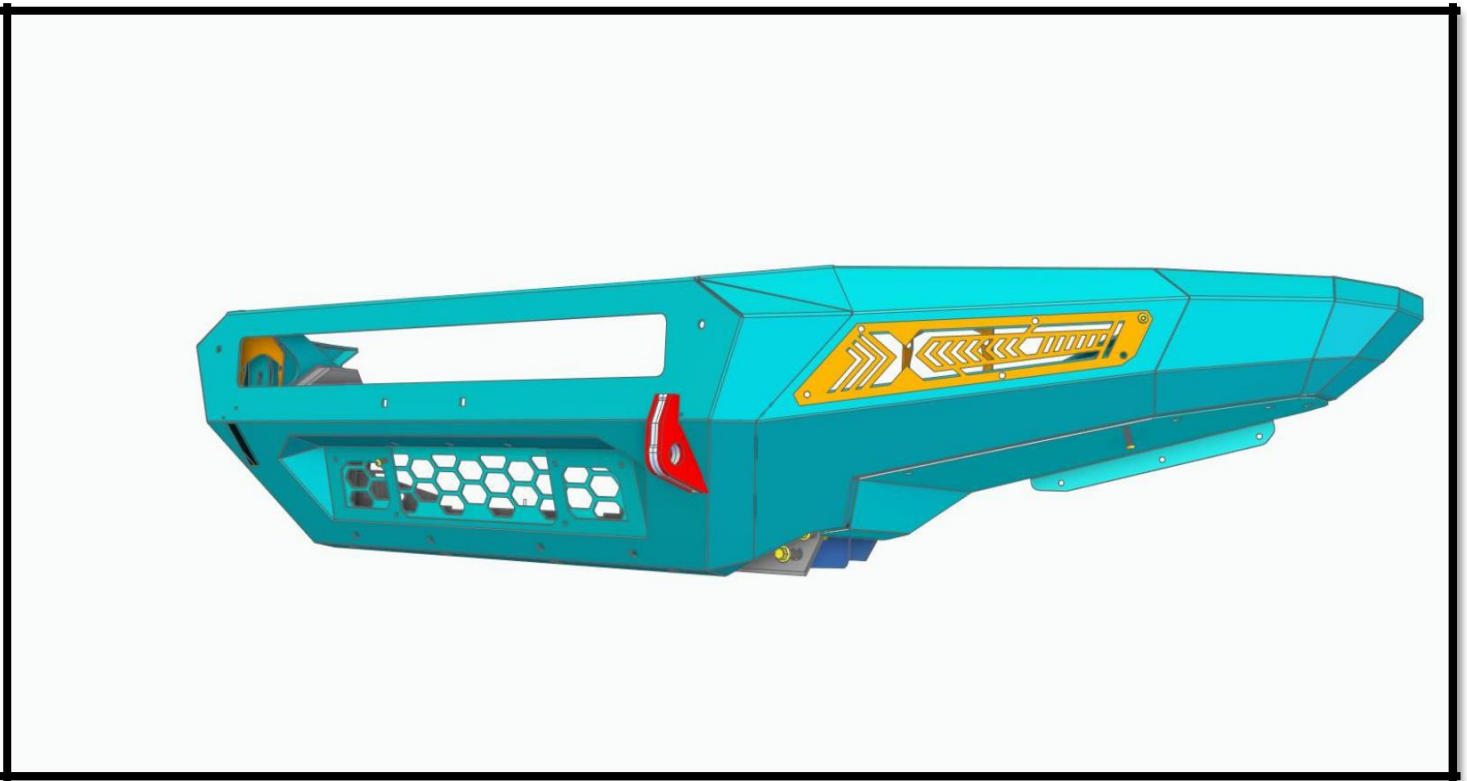
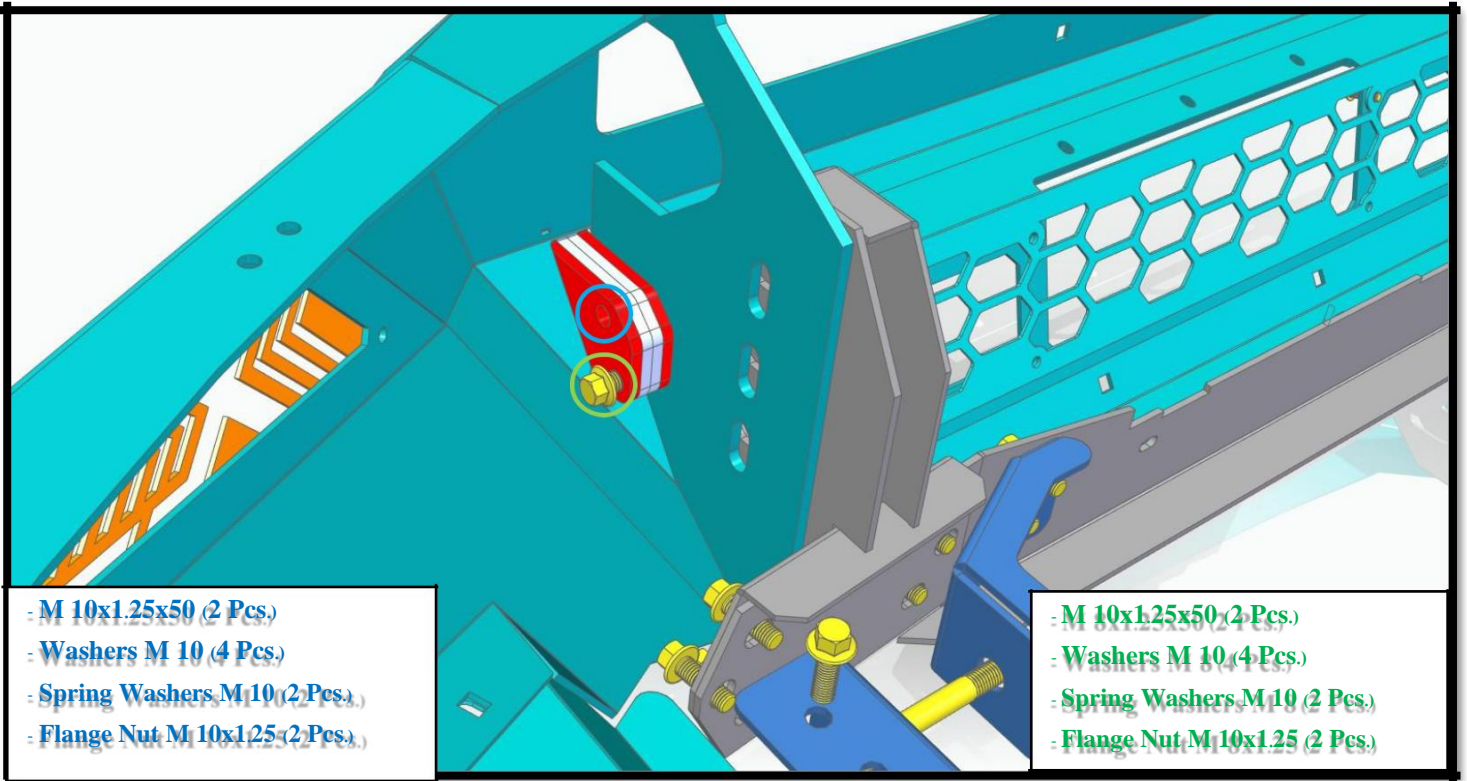


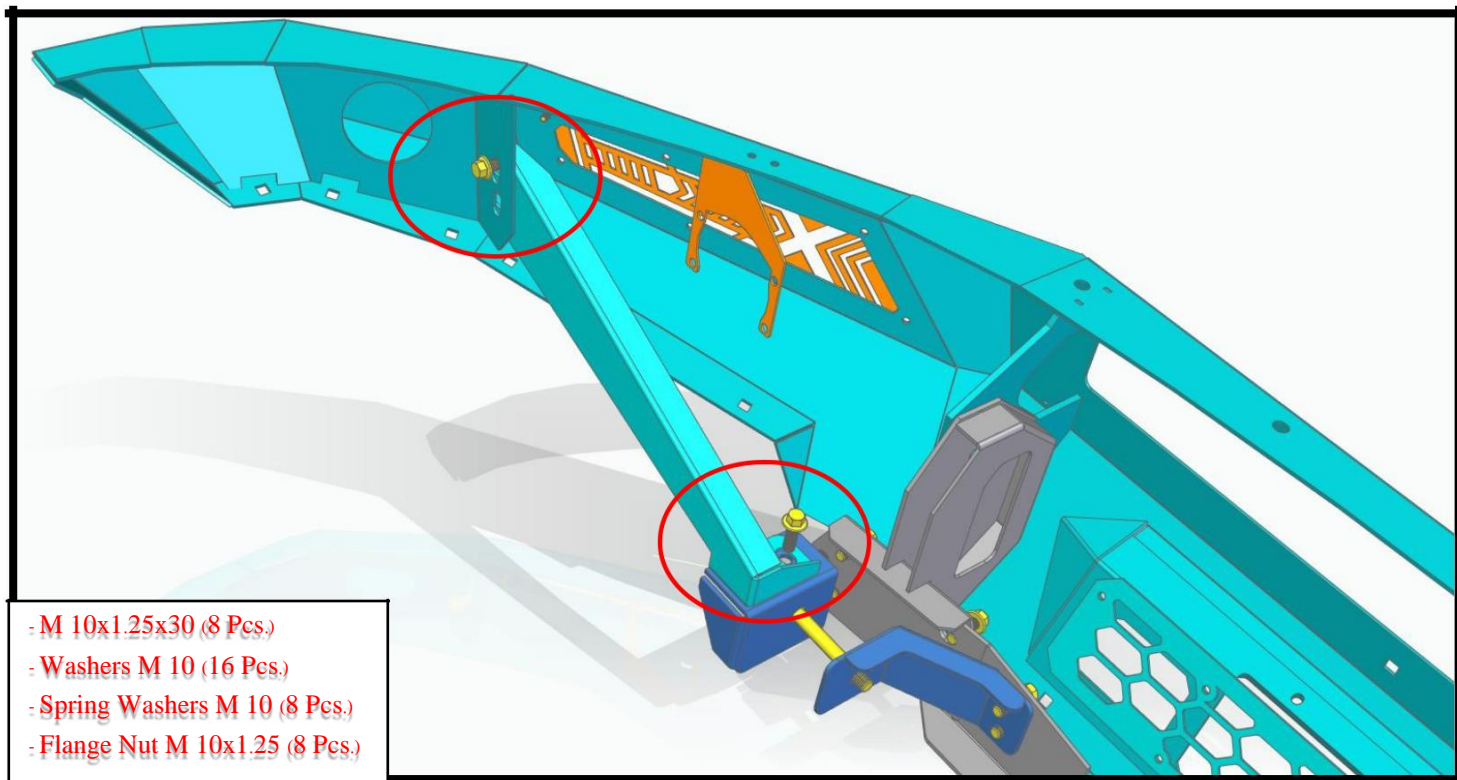
- M 6x1x20 (12 Pcs.)
- Washers M 6 (12 Pcs.)
- Flange Nut M 6x1 (12 Pcs.)



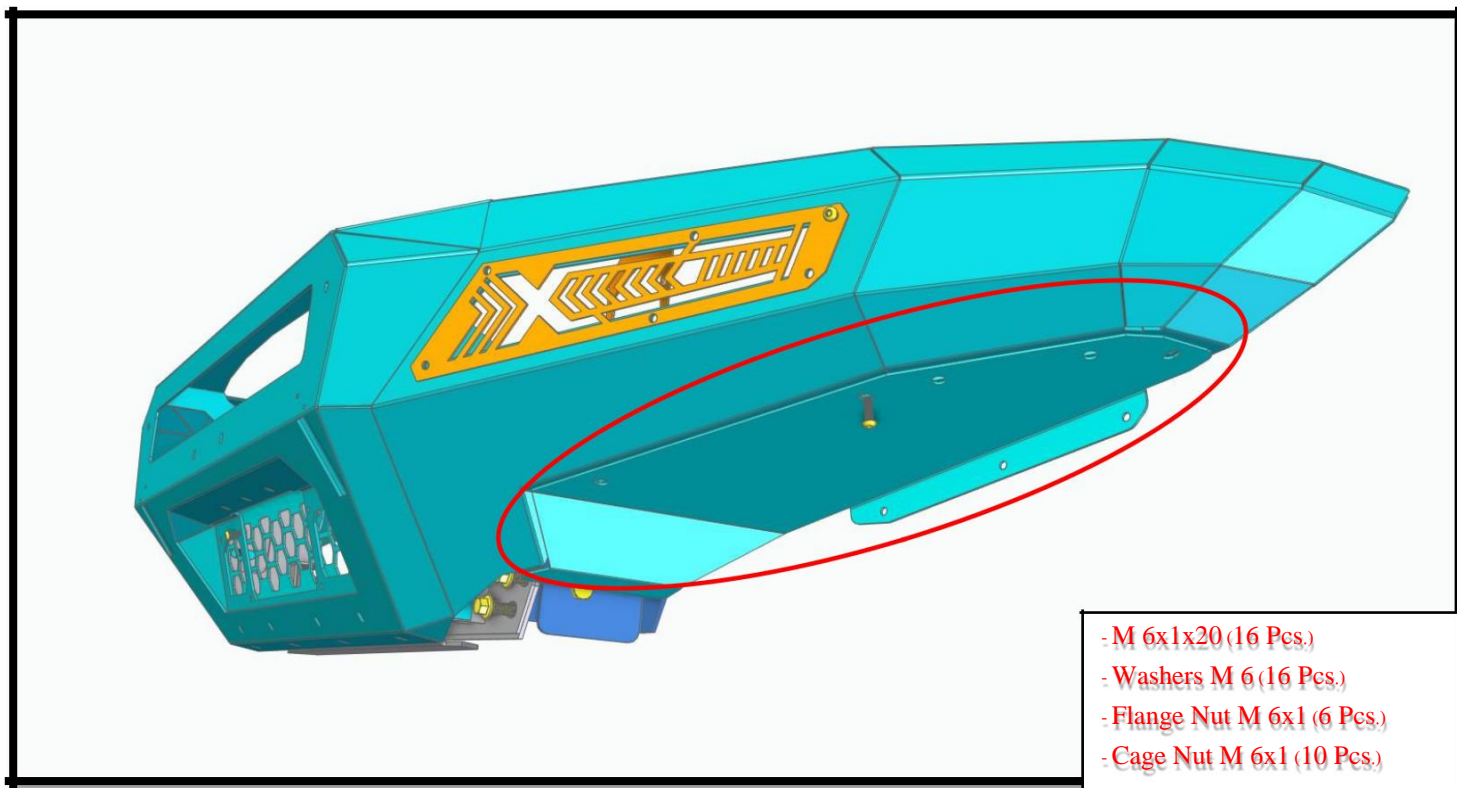
- M 12x1.25x90 (2 Pcs.)
- Washers M 12 (4 Pcs.)
- Hex Nut M 12x1.25 (2 Pcs.)

- M 10x1.25x30 (4 Pcs.)
- Washers M 10 (8 Pcs.)
- Spring Washers M 10 (4 Pcs.)
- Flange Nut M 10x1.25 (4 Pcs.)





- M 10x1.25x30 (8 Pcs.)
- Washers M 10 (16 Pcs.)
- Spring Washers M 10 (8 Pcs.)
- Flange Nut M 10x1.25 (8 Pcs.)



- M 6x1x20 (16 Pcs.)
- Washers M 6 (16 Pcs.)
- Flange Nut M 6x1 (6 Pcs.)
- Cage Nut M 6x1 (10 Pcs.)

