

# Installation manual of intelligent electric pedal

## Ford Ranger

— , matters needing attention

1. All pictures in this manual are for reference only. Pictures may be different from real objects

Method consistency;

2, please carefully check whether the vehicle is faulty before installation; Read the instructions carefully;

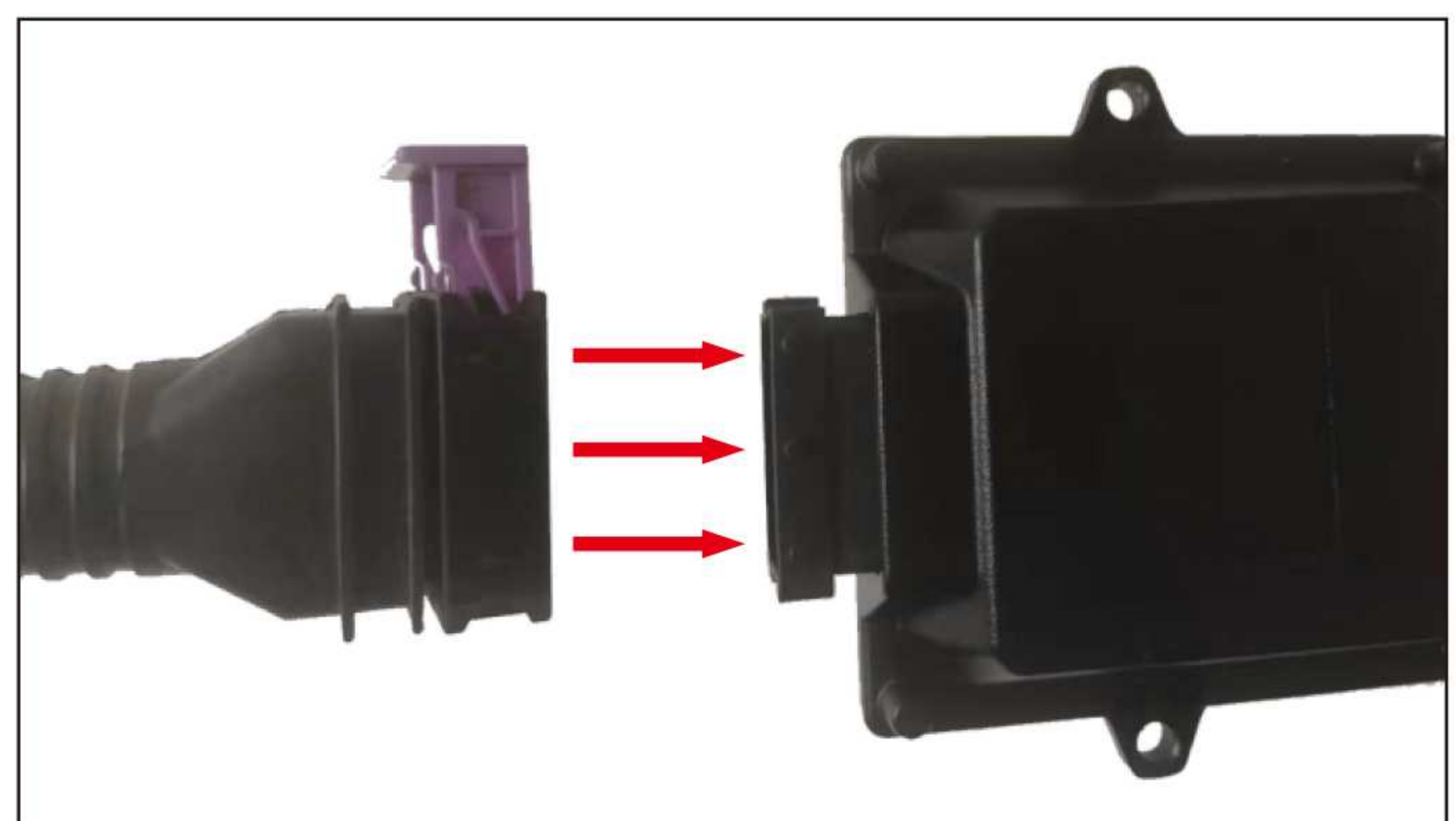
3. During installation, the vehicle must be turned off to ensure that the vehicle key is pulled out and the instrument is not energized

The case of installation;

4. Pull out the fuse on the wiring harness before installation and plug it in after installation.



5. When connecting the wire harness port to the controller unit, you must insert and unplug it in place.

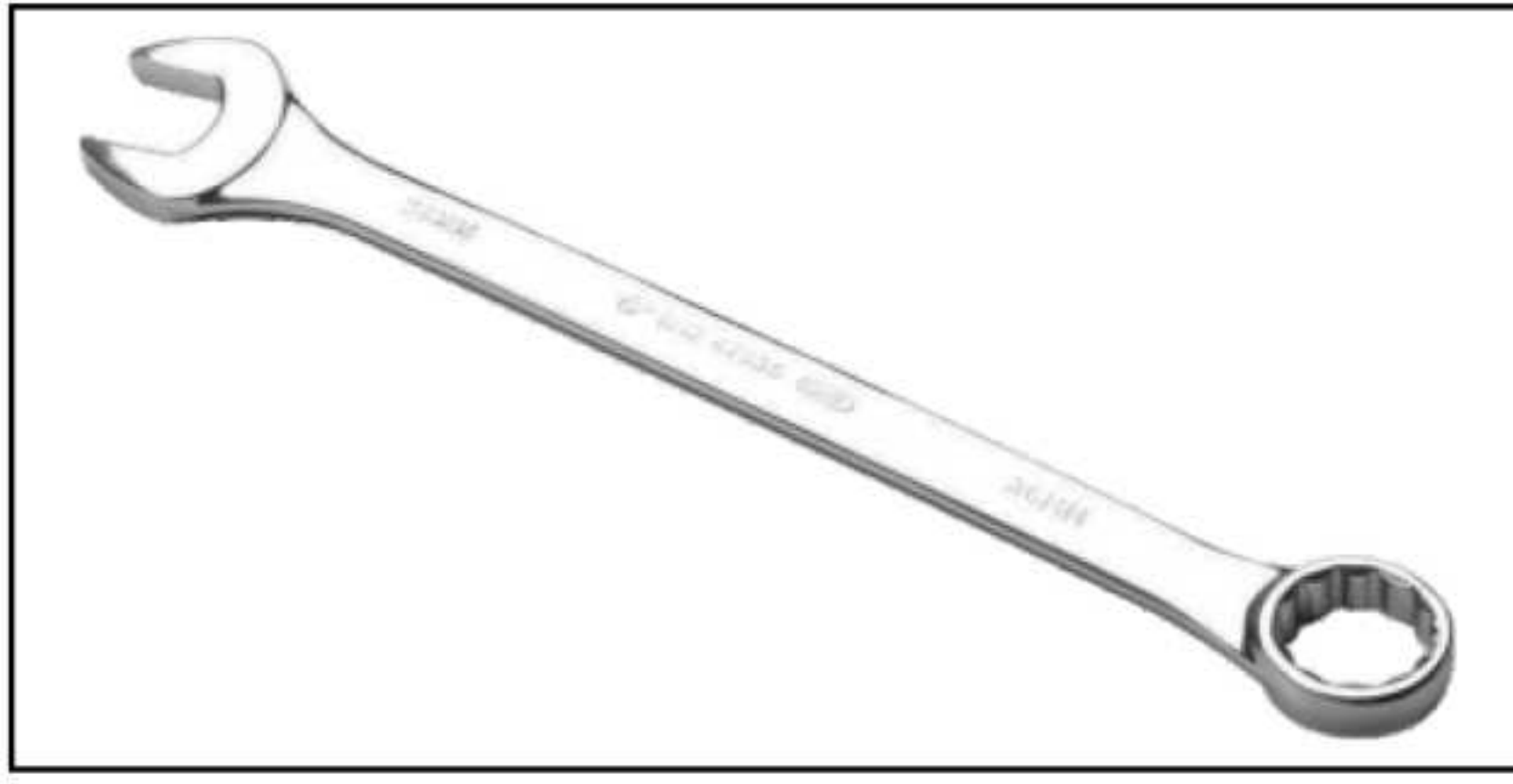


6. Please check regularly whether all accessories connected with the car are loose to ensure safe use.

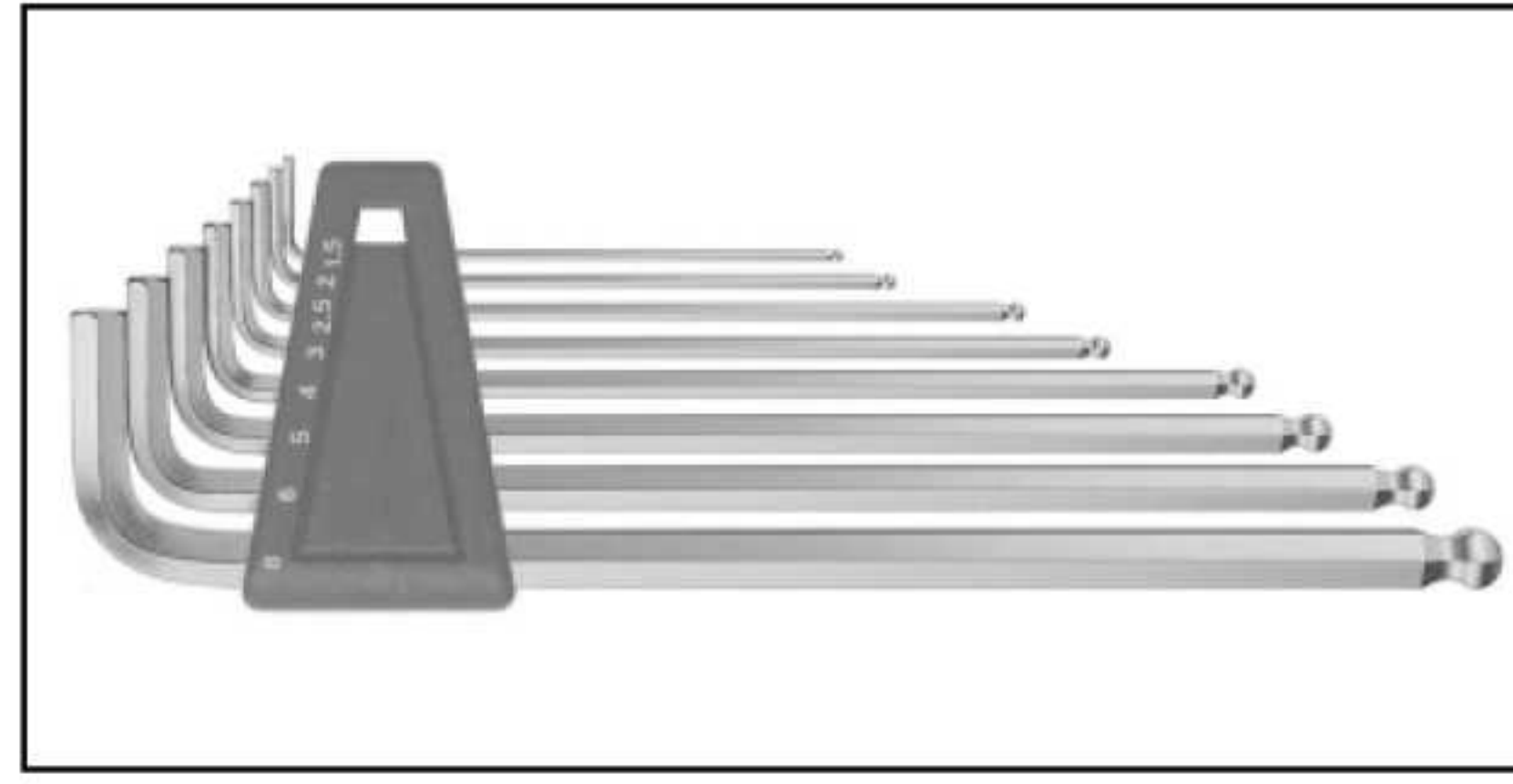


## 二 , Preparation before installation

### 1. Installation tools



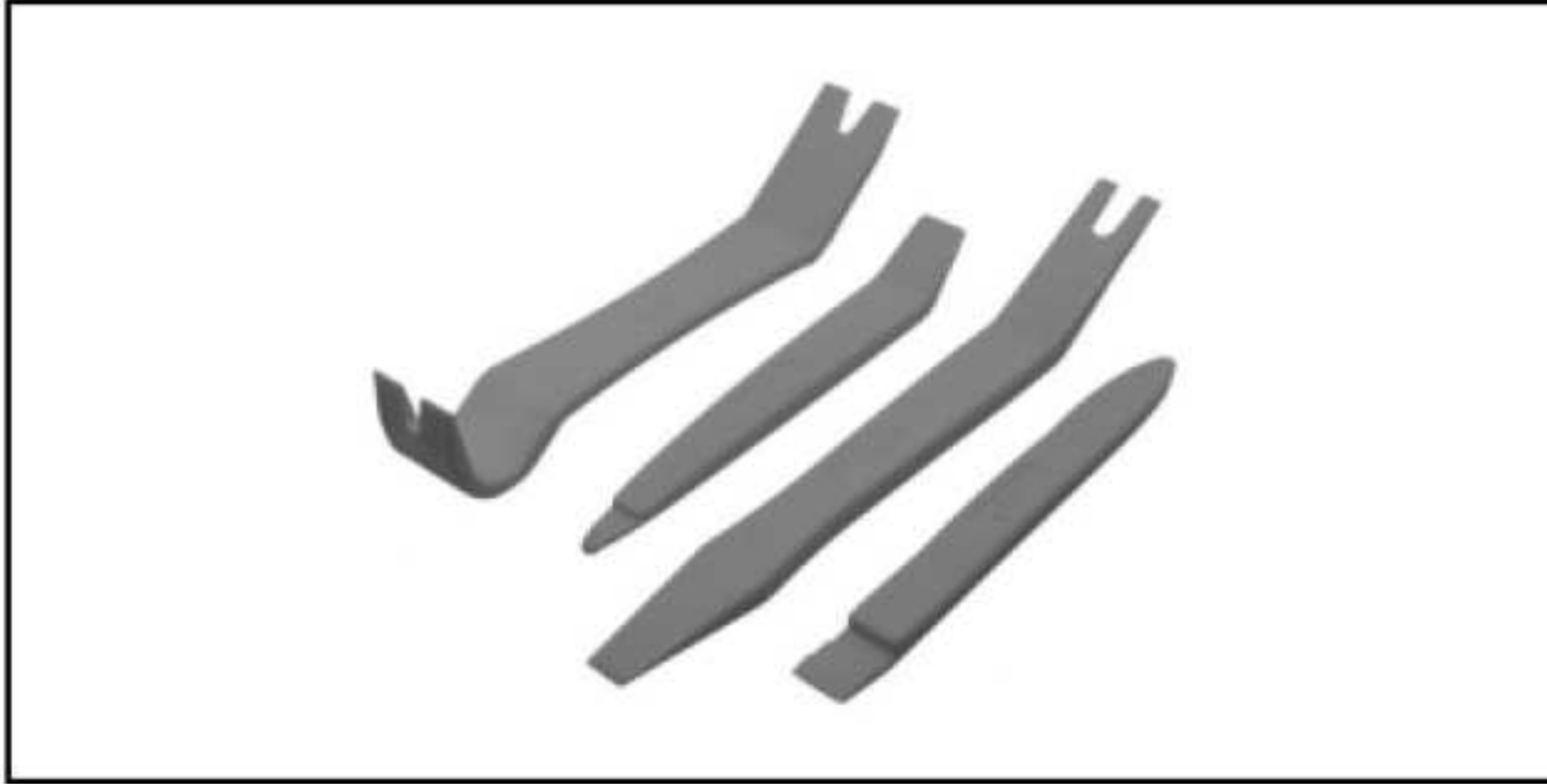
Wrench/sleeve:  
8、10、13、14、17、19mm



Hexagon socket wrench  
: 4、5、6、8mm



Flat-head/Phillips screwdriver



Latch pry bar/  
hook



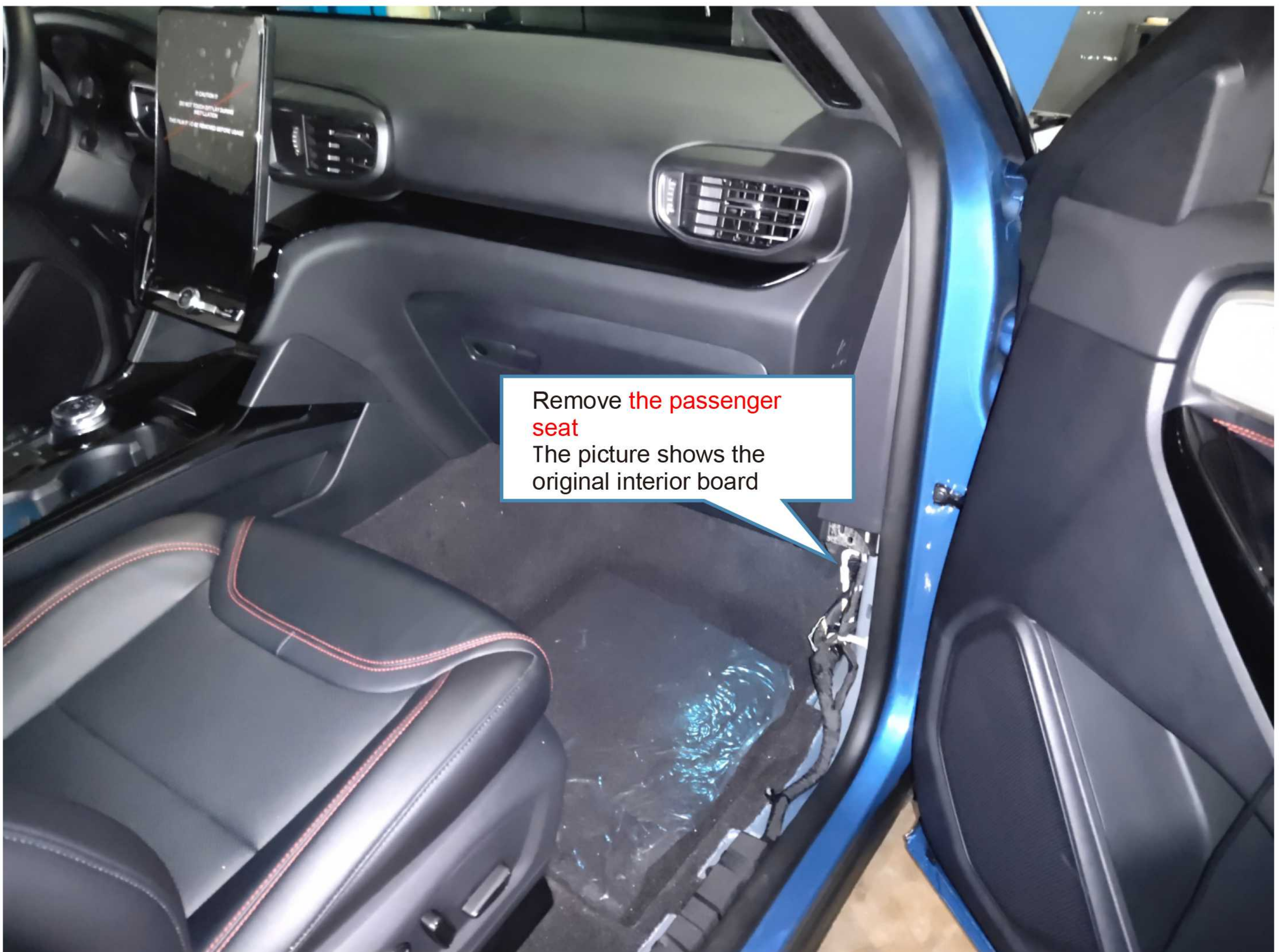
Electrical tape



scissors

## 三. Installation procedure of OBD interface

1. Refer to the accessories list to check whether the accessories are complete and prepare the parts to be installed;
2. Find the original line position of the passenger seat



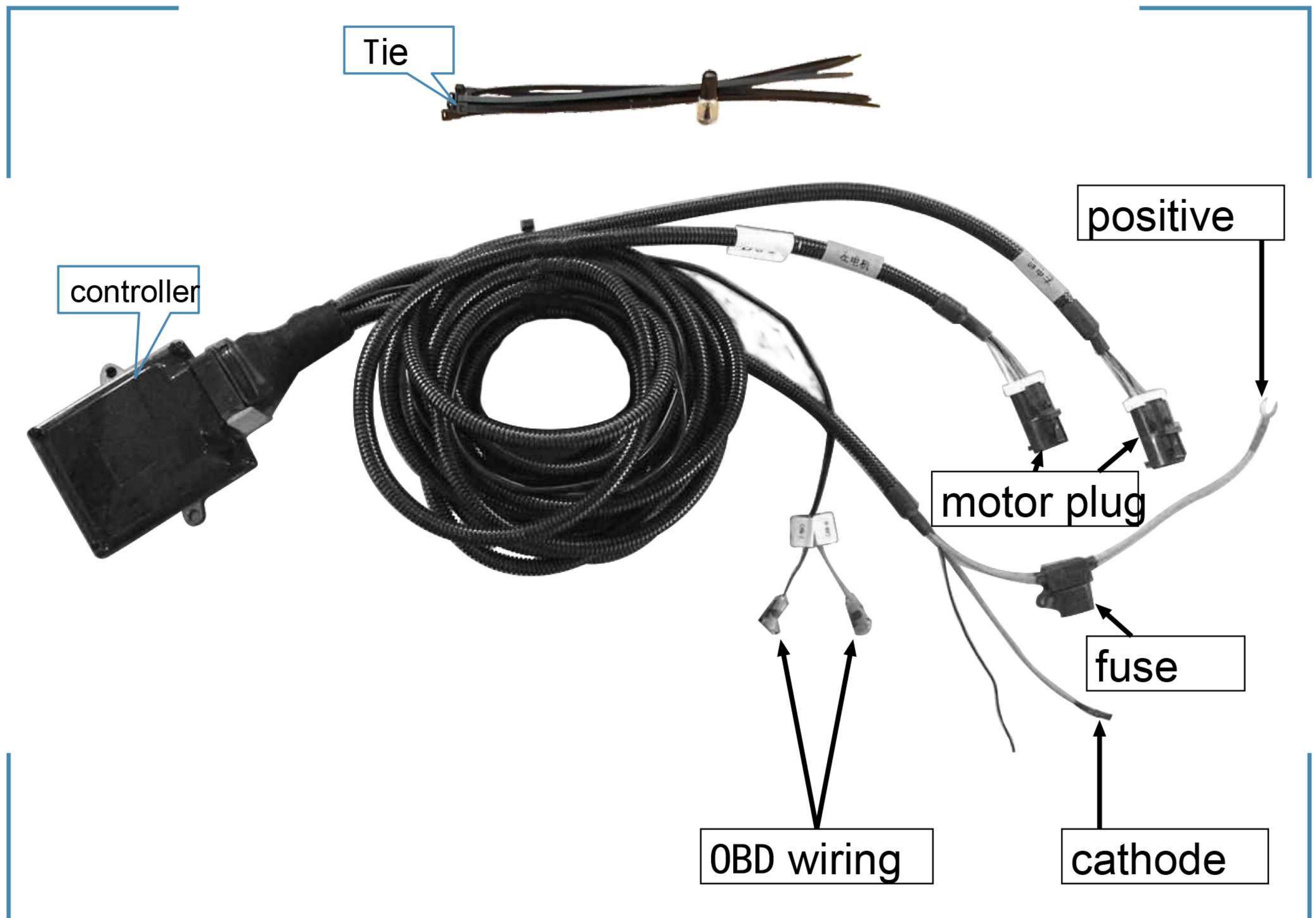


3. Find the green orange (CAN-H) and gray blue (CAN-L) twined signal lines



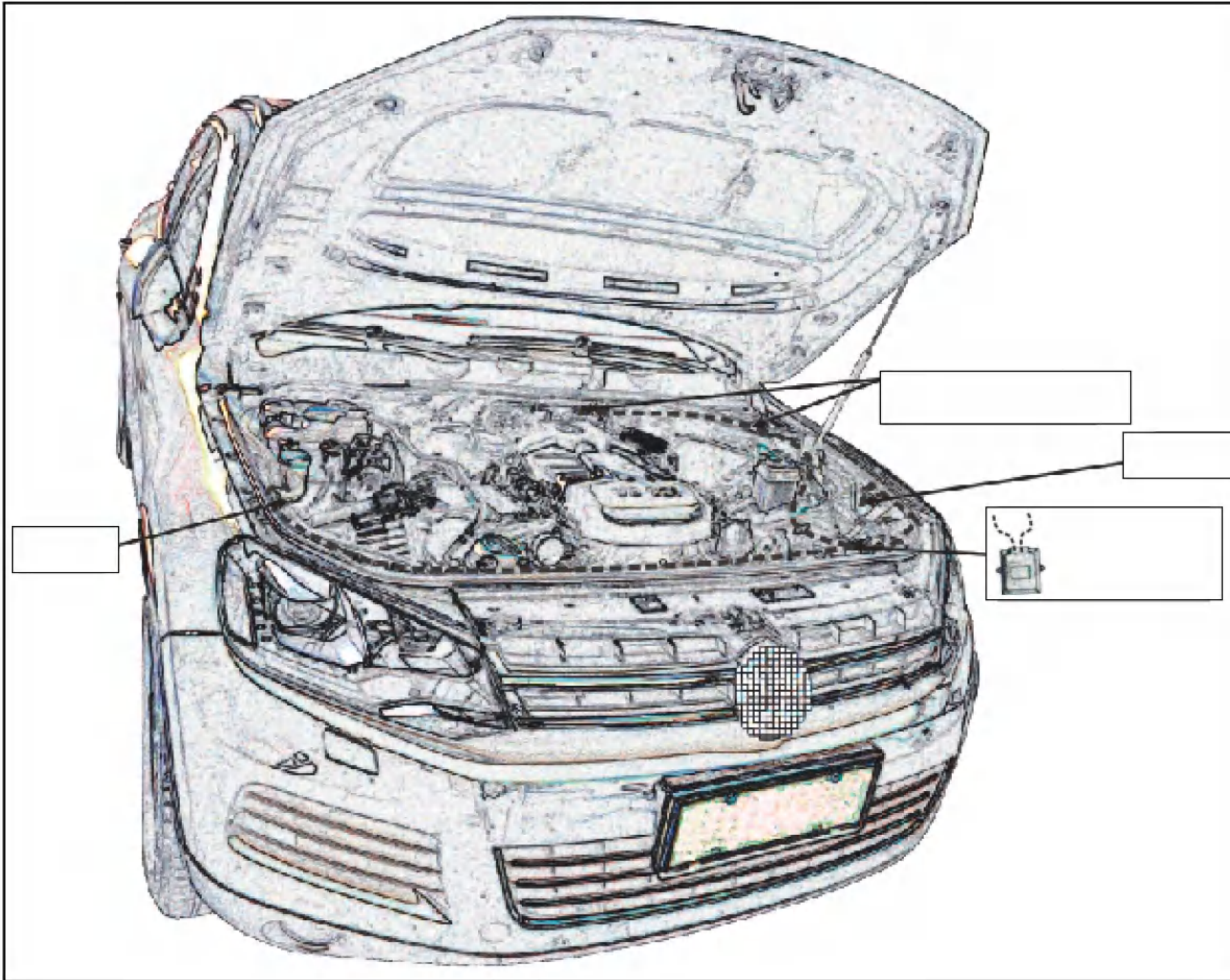
#### 四. Wiring harness installation steps

##### 1. Wiring harness accessories





2. Wiring and wiring, as shown below:

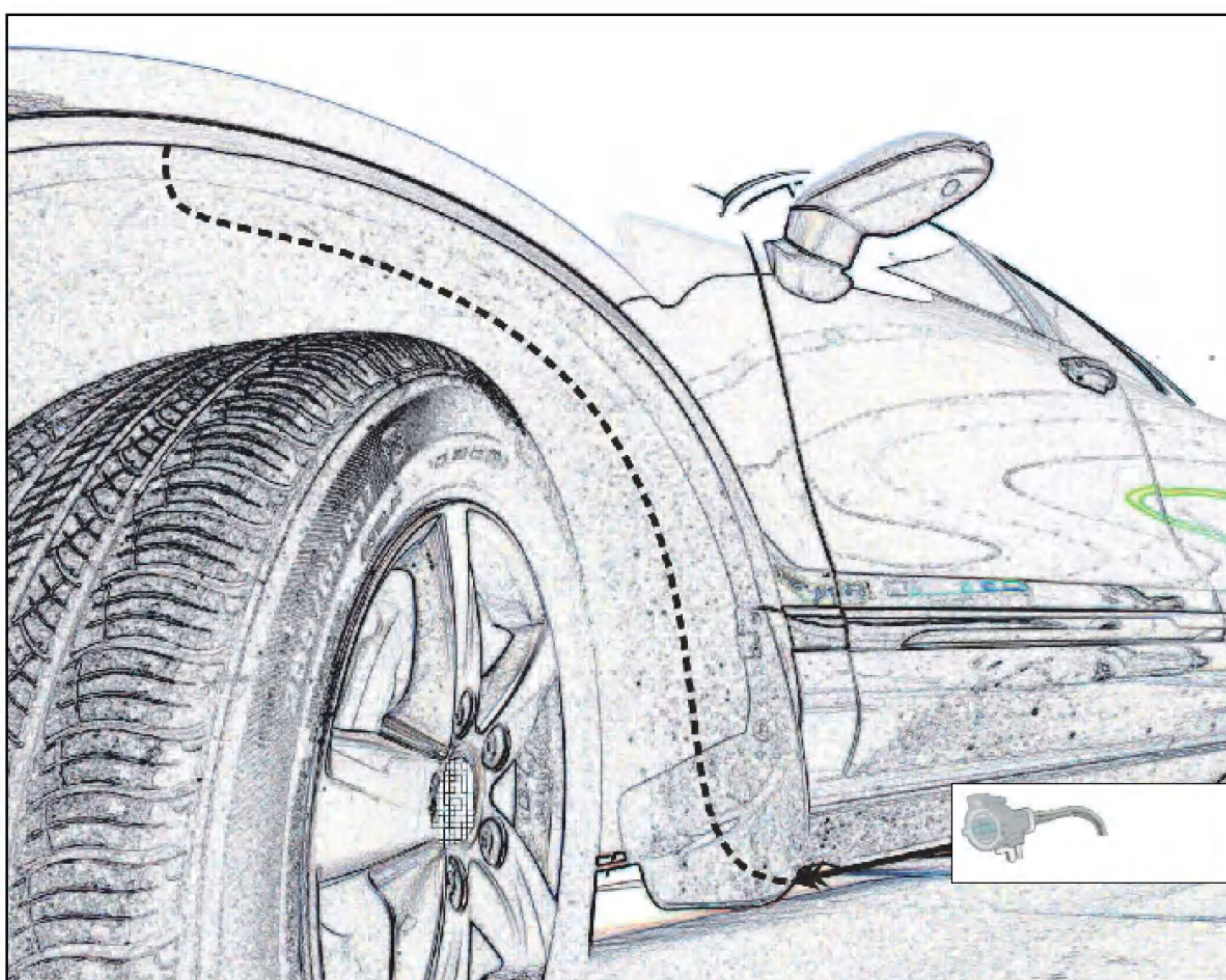
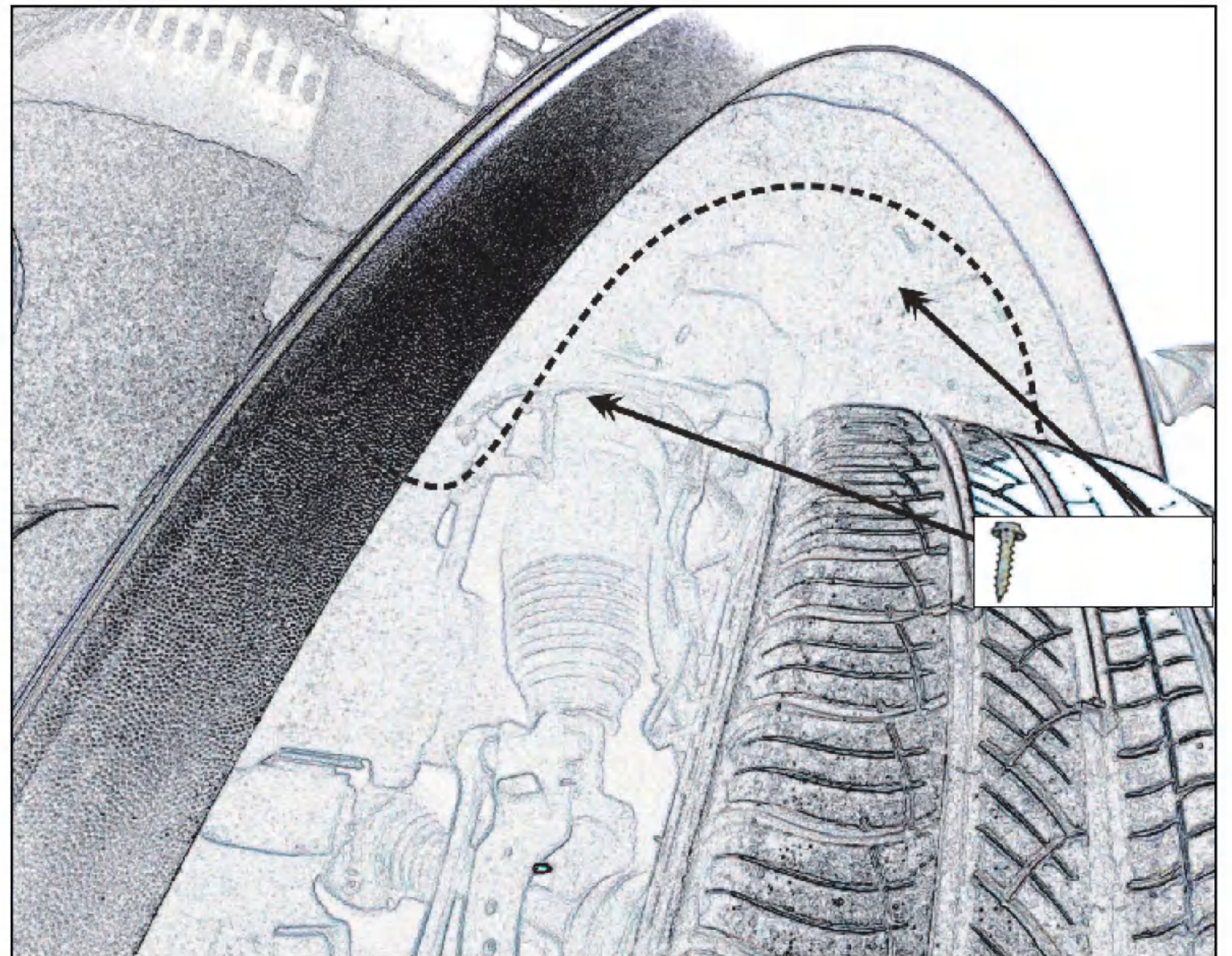


Picture one:

1. The main line connects the positive and negative poles of the battery;
2. The controller is placed inside the machine bin;
- 3, the motor connection line and O B D connection from the machine bin to the hub position.

Picture 2:

1. Remove the tapping screws on the hub;
2. Wire from inside the hub.



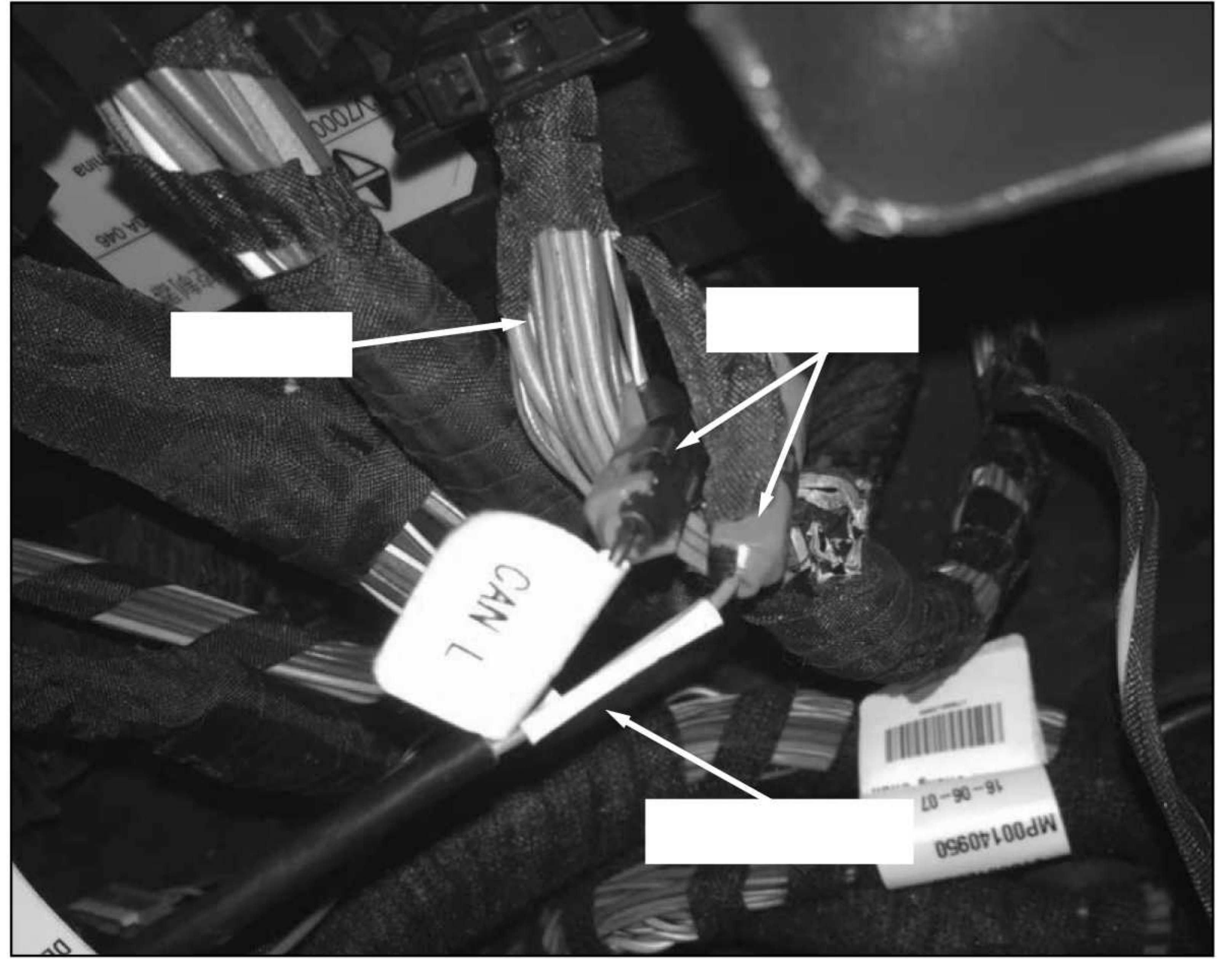
Picture 3:

1. The motor connection line and signal line are pulled out from the hub, and a reasonable length is set aside according to the motor position;
2. Plug the motor into the interface of the motor.



Picture4:

- 1, remove the interior board, uncover the carpet;
- 2, the signal cable into the chassis hole into the cab;
3. OBD wiring is connected with the signal line of the original vehicle through the T-type cable card (Green Orange /CANH; Blue ash/CANL).

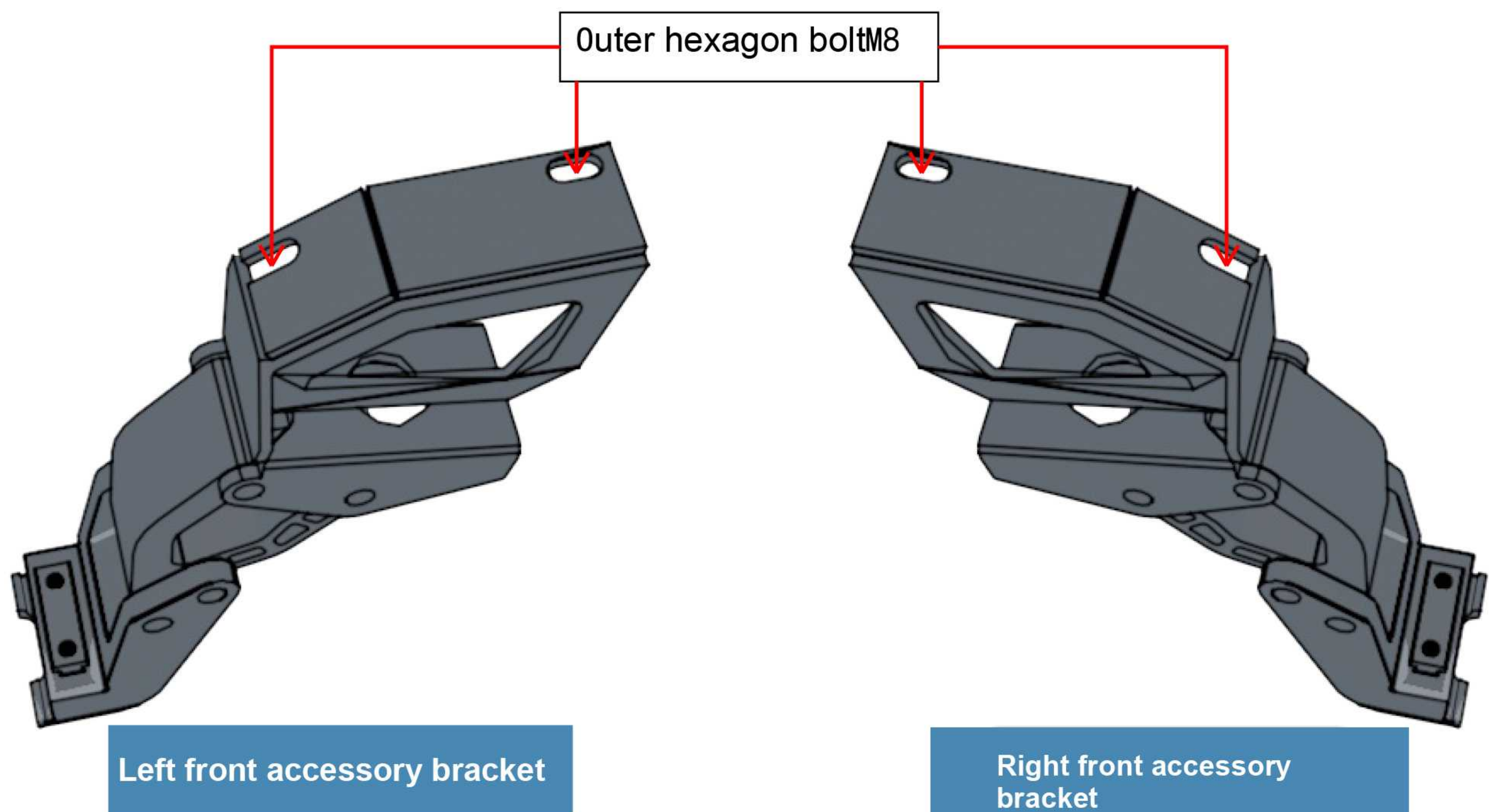


## 五, assembly accessories preparation

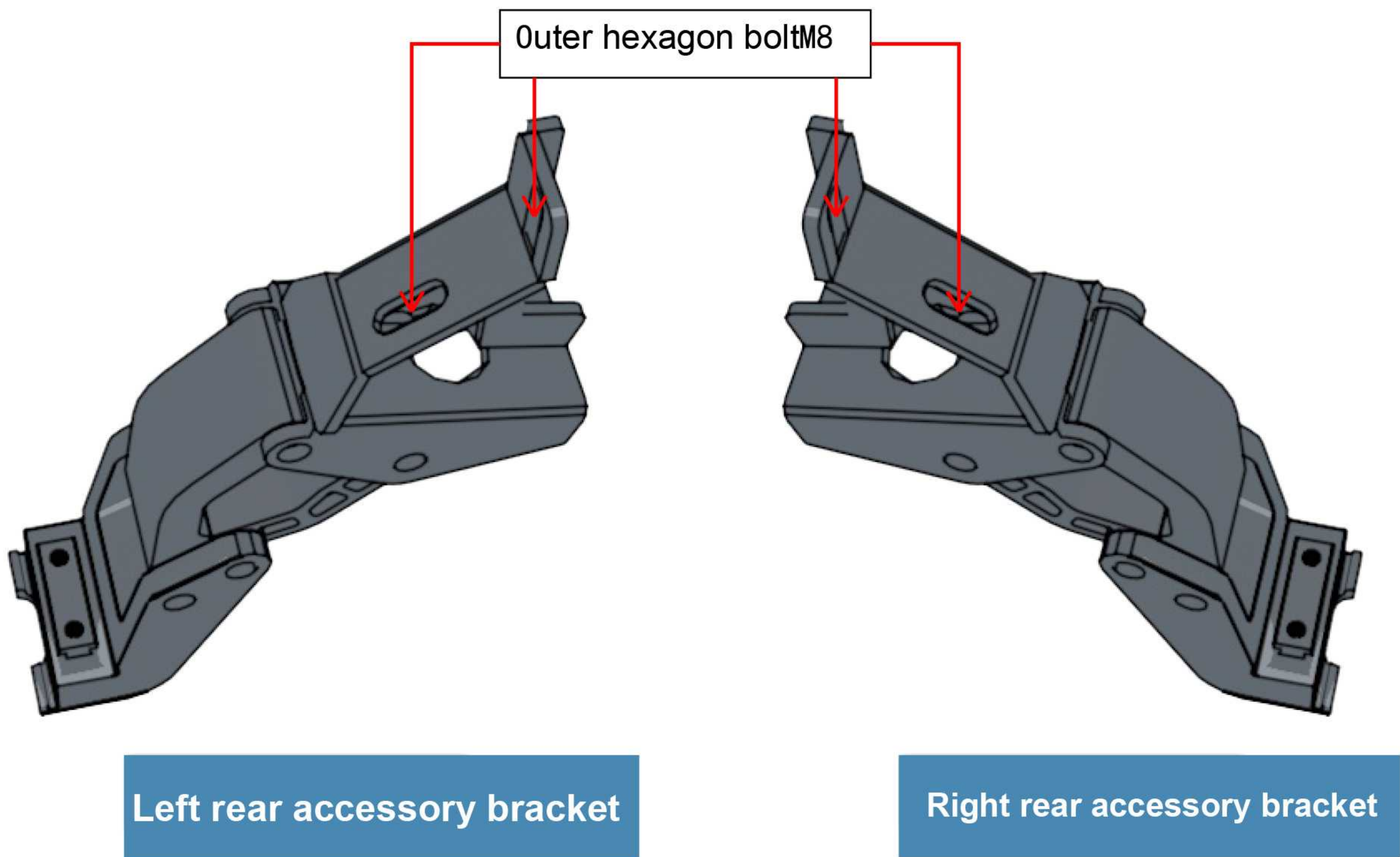
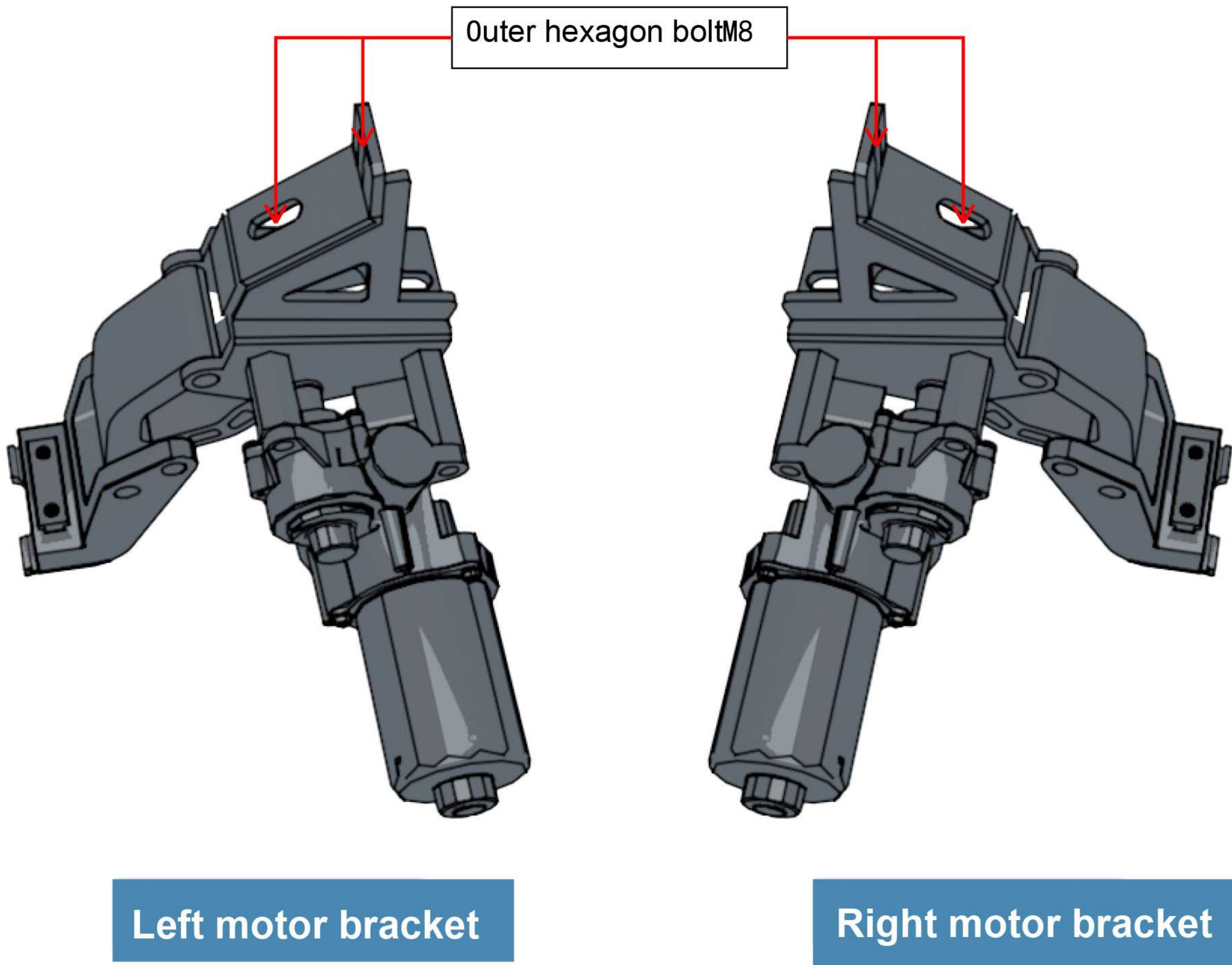
### 1. List of screw accessories

N0	part	Specifications	Quantity
1	Outer hexagon bolt	<b>M8 × 25</b>	12
2	Spring washers	Diameter 8	12
3	Enlarged flat washer	Diameter 8	12
4	flat washer	Diameter 8	12
5	Hexagon socket bolt	Stainless steel M6 x 16	12

### 2, support hole location details



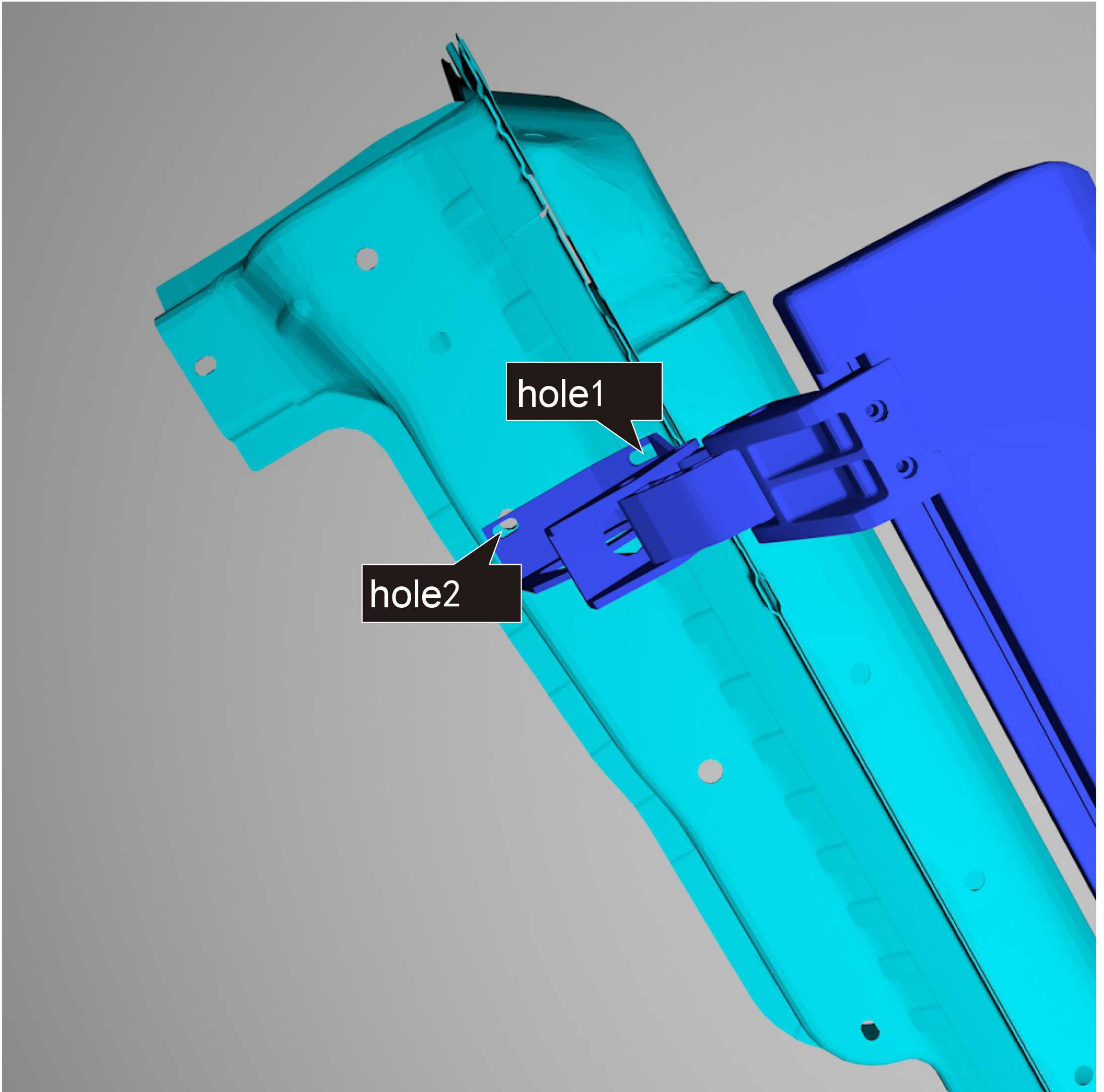






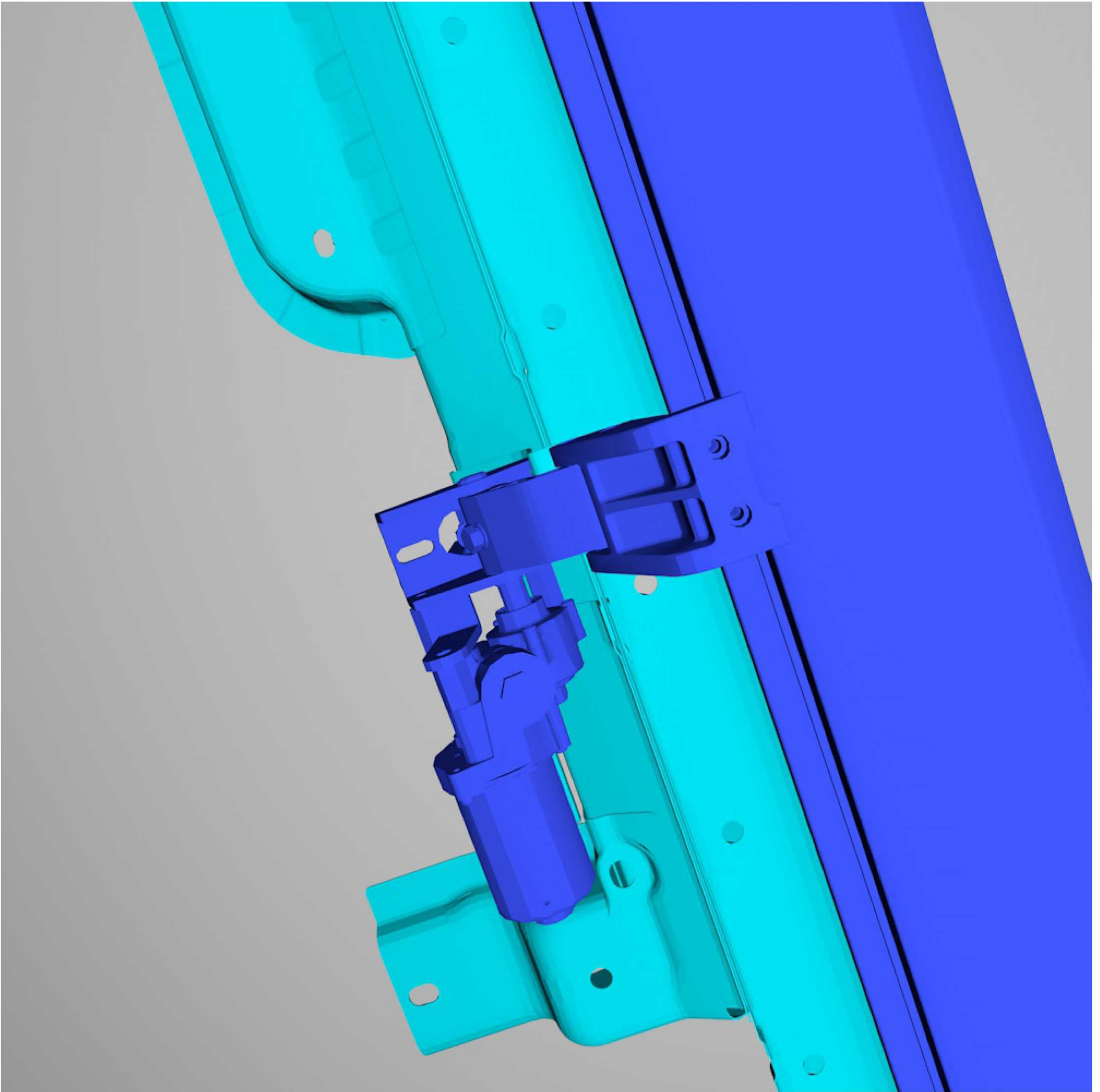
## 六, bracket installation position

1. The electric pedal motor bracket of the vehicle is rear mounted, and the bracket is installed at the chassis position of the vehicle
2. Installation position of **front auxiliary bracket**



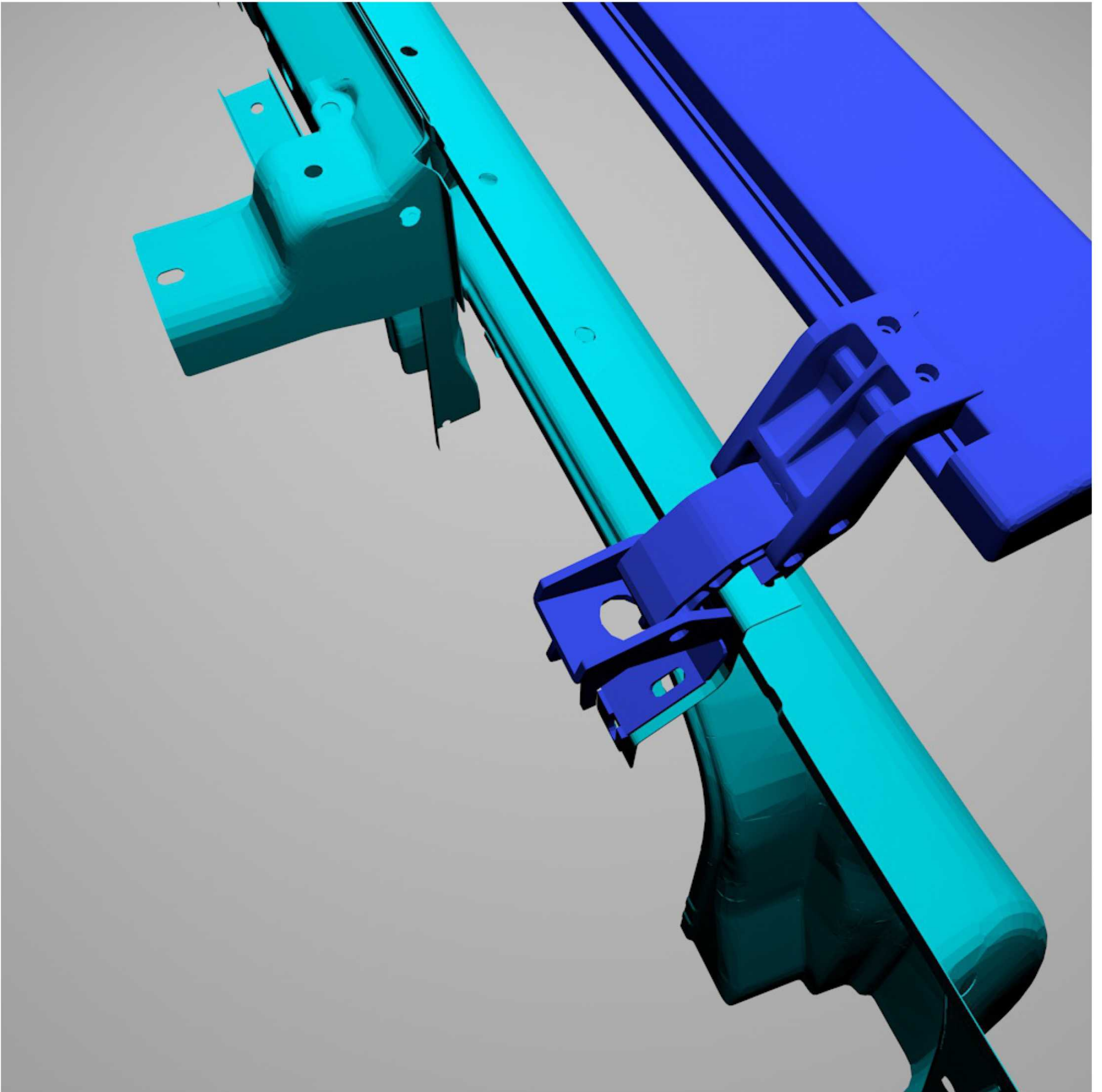


### 3. Installation position of motor support



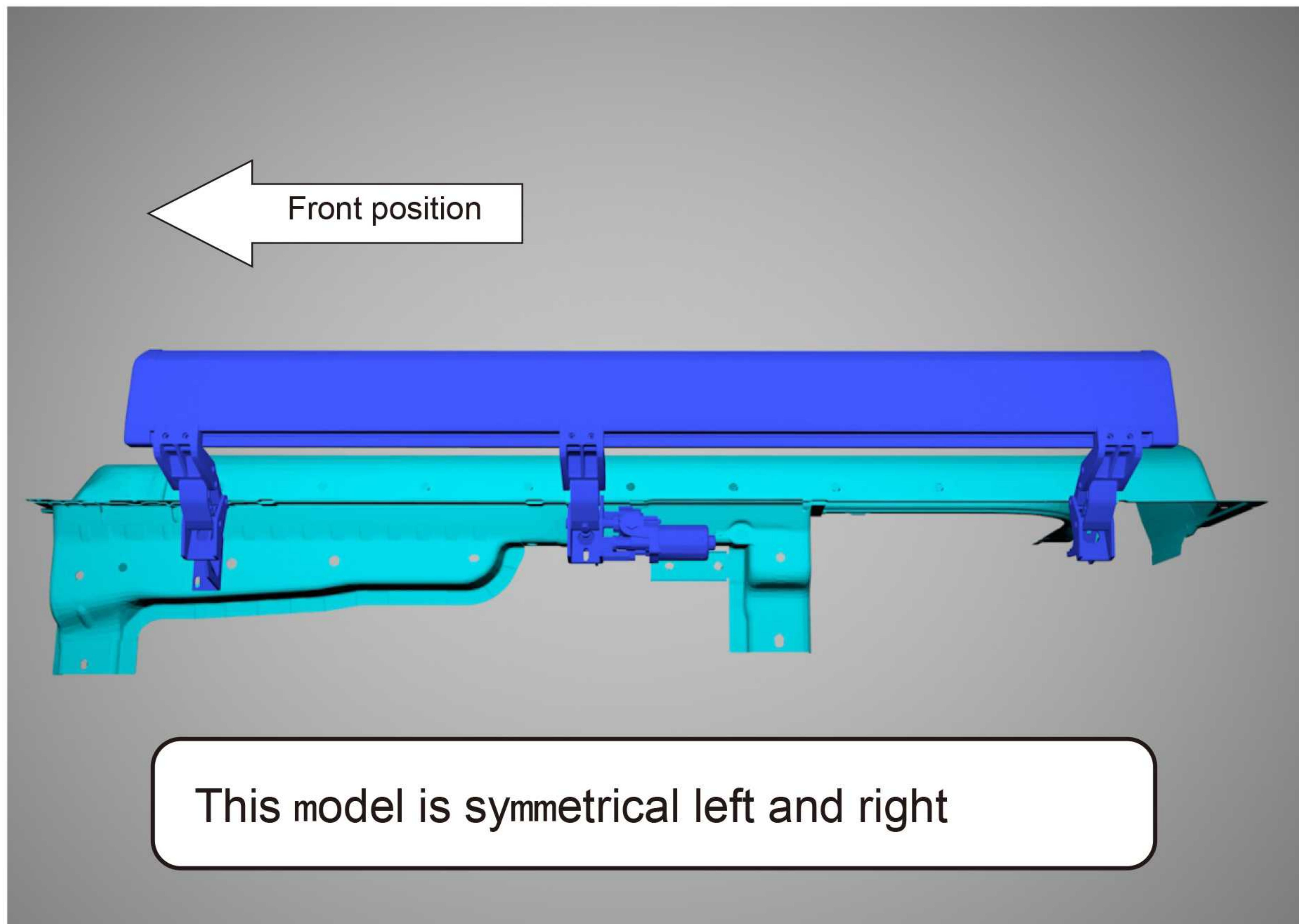


4. Installation position of **auxiliary bracket**





## 5. Overall installation position



## 七. Completion of installation

1, check whether the pedal movement function is normal, can complete the installation

