



# **AEA CHALLENGER PRO AIR RIFLE USER'S MANUAL**

**[WWW.AEAIRGUN.COM](http://WWW.AEAIRGUN.COM)**

# **AEA CHALLENGER PRO AIR RIFLE**

**READ ALL INSTRUCTIONS AND WARNINGS BEFORE USING THIS AIRGUN**



## **SPECIFICATION**

<b>Caliber</b>	.22 Cal
	.25 Cal
	.30 Cal
	.35 Cal
<b>Weight</b>	8.2 LBS
<b>Barrel Length</b>	24 Inches
<b>Overall Length</b>	37 Inches
<b>Regulated, Integrated Shroud And Foldable Tactical Butt-Stock</b>	
<b>Cocking System</b>	Side-lever Action
<b>Magazine Capacity</b>	.22 Cal 12 shots
	.25 Cal 10 shots
	.30 Cal 9 shots
	.35 Cal 8 shots
<b>Air Tube Capacity</b>	350 CC
<b>Max Air Filling Pressure</b>	3600 PSI
<b>Muzzle Velocity</b>	.22 Cal 950 FPS 34 GR
	.25 Cal 1050 FPS 34 GR
	.30 Cal 1000 FPS 50 GR
	.35 Cal 950 FPS 80 GR
<b>Muzzle Energy</b>	.22 Cal 80 FPE
	.25 Cal 90 FPE
	.30 Cal 120 FPE
	.35 Cal 150 FPE
<b>Power Adjustment</b>	Available
<b>Optics</b>	11 mm Dovetail Scope Mount

**FAILURE TO OBSERVE THE WARNINGS & CAUTIONS CAN RESULT IN DAMAGE TO YOUR AIR RIFLE, ACCIDENTAL DEATH OR SERIOUS INJURY. THE SAFE USE AND STORAGE IS THE OWNER / USER'S RESPONSIBILITY.**

# **WARNING**

## **READ ALL INSTRUCTIONS AND WARNINGS BEFORE USING AEA PRODUCTS**

**This air rifle is not a toy and carelessness use may result in serious injury or accidental death.**

**This airgun is recommended for adult use or under adult supervision.**

**Never attempt to disassemble this rifle without manufacturer authority.**

**Never fire the rifle when it is out of air or when air cylinder is removed!**

**Use lead pellets only, The use of any projectile other than a lead pellet is unauthorized and will void the manufacturers warranty.**

**AEA Airguns are designed for Use with dry-filtered, compressed air to fill the air cylinder.**

**NEVER use other gases such as oxygen, acetylene, hydrogen, etc.**

**Never fill this air rifle air cylinder above 310 BAR /4500 PSI (working pressure) unless stated for the specific model.**

**The resulting damage caused by overcharging the air cylinder is not covered by the manufacturers warranty.**

**ALWAYS wear eye and ear protection when using an airgun.**

**Always point the air rifle in a safe direction and be aware of the backstop.**

**Never point an air rifle at anything you do not intend to shoot.**

**Always make sure that each pellet you use is in the proper caliber for the air gun and never re-use pellets.**

**Never leave the air gun loaded if it is not going to be used.**

**Keep your fingers away from the trigger and do not load the rifle until you are ready to fire.**

**Anytime you transport an airgun, make sure the safety is on and the gun is unloaded.**

**Store the airgun (unloaded) and ammunition in separate, safe places, out of reach of children.**

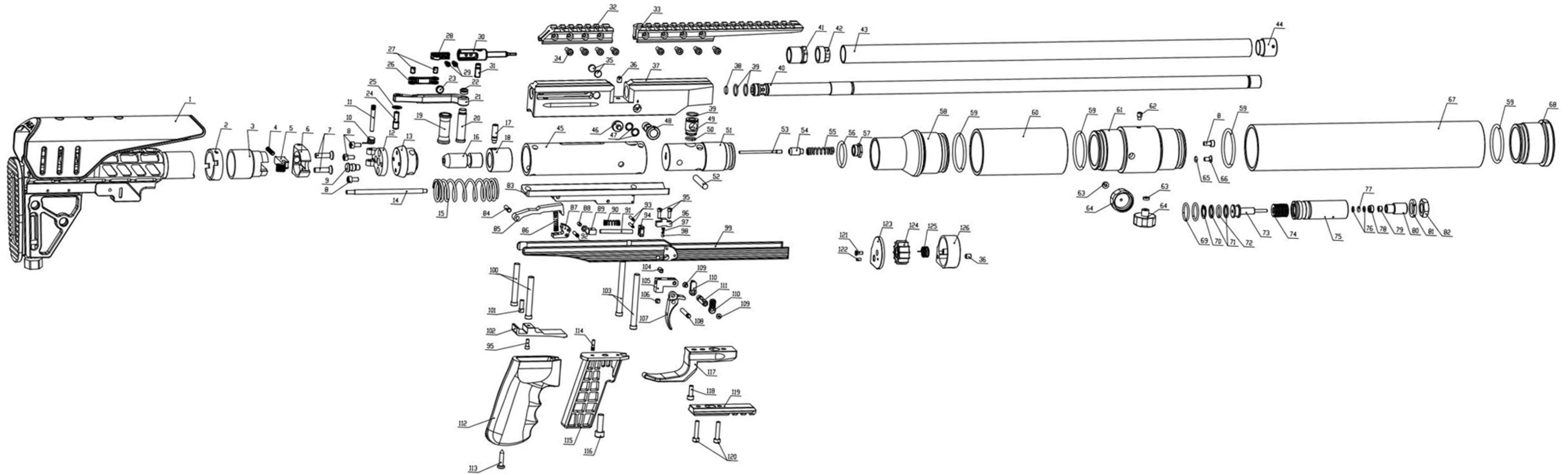
**Users should follow all local laws regarding air gun ownership and use..**

**We recommended that you have the air cylinder visually inspected every 3 years.**

**FAILURE TO OBSERVE THE ABOVE WARNINGS CAN RESULT IN DAMAGE TO YOUR AIR RIFLE, ACCIDENTAL DEATH OR SERIOUS INJURY. PRACTICE GUN**

**SAFETY AND RESPONSIBILITY**

# AEA CHALLENGER PRO AIR RIFLE DIAGRAM



1	Tactical Butt-Stock	31	Probe Move Shaft	61	Regulator	91	Trigger Connecting Rod	121	Screw M3x8
2	Butt-Stock Rod Lock Ring	32	Back Picatinny Rail	62	Screw M5x8	92	Lock Pin 3x14	122	Lock Pin 2.8x4.8
3	Butt-Stock Adapter	33	Front Picatinny Rail	63	Pom Seal Spacer	93	Lock Pin 2x14	123	Mag Cover
4	Spring 0.5X4.1X20X12	34	Screw M4x10	64	Air Gauge	94	Metal Block	124	Mag Gear
5	Foldable Stock Lock Button	35	Iron Plate	65	O-Ring 3x1.8	95	Screw M3x8	125	Mag Spring 06X1175X6X10
6	Butt-Stock Adapter Seat	36	Screw M5x6	66	Screw M4x8	96	Steel Ball Fix Plate	126	Mag Shell
7	Screw M5x20	37	Chassis	67	Air Tube	97	Spring 0.5X3.2X6.5X5		
8	Screw M4x8	38	O-Ring 5.6x1.8	68	Air Tube End Cape	98	Steel Ball		
9	Foldable Stock Lock Screw	39	O-Ring 11x12	69	O-Ring 17x18	99	Down-Frame		
10	Spring 1x8x6x6	40	AEA Barrel	70	C-type Bayonet Ring 14	100	Screw M6x45		
11	Lock Pin 4x30	41	Barrel Fix Ring	71	Bayonet Ring	101	Screw M4x10		
12	Foldable Stock Fix Plate	42	Barrel Lock Ring	72	O-Ring 10.8x18	102	Down-Frame Metal Cover		
13	Hammer Back Block	43	Barrel Shroud	73	Regulator Piston	103	Screw M6x60		
14	Hammer Guide Rod	44	Shroud End Cape	74	Disc Spring 14x7.2x0.8x1.1	104	Lock Pin 4x8		
15	Hammer Spring 2.3X25.5X70X9.6	45	Hammer Tube	75	Regulator Valve Housing	105	Rod Connecting L-Block		
16	Hammer Guide Cylinder	46	Power Adjuster Lock Screw	76	Bayonet Ring	106	Screw M5x4		
17	Hammer Connecting Cylinder	47	O-Ring 6.4x13	77	O-Ring 2.8x18	107	Trigger		
18	Hammer	48	Power Adjuster	78	Regulator Valve Screw	108	Lock Pin 4x26		
19	Side Lever Handle Cover	49	Air Guide Cylinder	79	Valve Seal Block	109	Screw M3x5		
20	Side Lever Handle	50	O-Ring 9x1.5	80	Regulator Adjust Screw	110	Safety Switch		
21	Side Lever	51	Valve	81	Spring Washer	111	Safety		
22	Screw M8	52	Lock Pin 8x36	82	Screw M12X1.25	112	Grip Rubber Cover		
23	Magnet	53	Valve Pin	83	Up-Frame	113	Screw		
24	Screw M6x19	54	Valve Seal Block	84	Lock Pin 4x14	114	Lock Pin 3x12		
25	Spring 10x5.2x0.25x0.55	55	Valve Spring 13X8X30X10	85	Up-Sear	115	Grip Core		
26	Side Lever Connecting Bridge	56	O-Ring 23.8X3.1	86	Sear Spring 0.65X5X22X13	116	Screw M6x20		
27	Lock Pin 4x6	57	Valve Spring Seat	87	Down-Sear	117	Trigger Frame		
28	Probe Connecting Block	58	Air Tube Adapter	88	Lock Pin 3x14	118	Screw M4x12		
29	Screw M3x6	59	O-Ring 8x3	89	Trigger Connecting Rod Seat	119	Picatinny Rail		
30	Probe	60	Reg Plenum	90	Spring 0.7X6X18X9	120	Screw M4x20		

REVISED 06/2022

**AEA**  
PRECISION AIRGUNS

[www.aaairgun.com](http://www.aaairgun.com)

[aaairgun@gmail.com](mailto:aaairgun@gmail.com)

## CNC Butt-Stock Assemble

Take out the CNC butt-stock and screw on the butt-stock adaptor.

Rotate the butt-stock in the comfortable position so that the butt-stock matches your shooting position. Then rotate the lock-ring tightly in order to lock butt-stock

## Air Filling

1. Insert 8mm air fill probe into your air filling devices (such as high pressure air compressor, scuba air tanks, hand pump or recharging station) hose connector.

Notice: Before filling, secure that devices hose and the fill probe connecting tightly.

2. Insert the 8mm fill probe into the air filling hole under the chassis vertically.

3. Close the bleed screw on your recharging devices, open the recharging devices valve very slowly. When recharging you must watch the gun's air tube gauge and the air filling devices air gauge carefully. Never exceed 310 bar / 4500 psi (unless the model allows it). When the air fill is complete, close the recharging devices valves. To disconnect the cylinder from the air filling devices, open the bleed screw. This allows high pressure airs inside the refill clamp to exhaust, making it possible to pull out the 8mm fill prob from air filling hole.

Warning: AEA Airguns are designed for Use with dry-filtered, compressed air only. Never use other gases such as oxygen, acetylene, hydrogen, etc. Never fill the air cylinder above 310 BAR /4500 psi unless model specified. The resulting damage caused by overcharging the air cylinder or air tank is not covered by the manufacturer's warranty.



## Loading the Magazine

### Spring Tension Magazine Removal

Pull the cocking side-lever and cocking keep the bolt lever on the rear position.

Remove the magazine from the slot then hold the bolt side-lever and pull the trigger while holding the cocking side-lever in order to de cock the hammer.



## Loading pellets & Magazine

### WARNINGS:

**Lead pellets shoot only. The use of any projectile other than a lead pellet is unauthorized and will void the manufacturer's warranty. Always make sure that each pellet you use is the proper caliber for the airgun and never re-use pellets.**

**ROTATE** the magazine's cover in counter clockwise direction. Don't rotate in the wrong direction or you will damage the magazine's spring tension. User abuse will void manufacturer's warranty automatically. **Load pellets by pushing the transparent cover counter clockwise until the cover stops. Keep the cover open in the end position.**

**(Step 1)** Load pellets by pushing the transparent cover counter clockwise until the cover stops. Keep the cover open in the end position.

**Put one pellet in the open slot from the opposite end of the magazine, the head of the pellet shall be pointing out of the hole.(Step 2 and Step 3)**

**The back of the pellet should now be seen through the transparent cover.(Step 4)This pellet will lock magazine spring.**

**Now turn the magazine so that the transparent cover is facing you. Turn the cover clockwise one slot at the time and fill in remaining pellets from the transparent cover. Lock the transparent cover at starting position. (Step 5 and Step 6)**

**Step 1**



**Step 4**



**Step 2**



**Step 5**



**Step 6**



**Step 3**



## Loading the Magazine

Pull the cocking side-lever to its rear position.

Insert the full loaded magazine into the slot.

**POINTED IN A SAFE DIRECTION ALL THE TIME AND MAKE SURE THE AIR RIFLE IS UNLOADED**

Pointed in a safe direction all the time



## Cocking, Discharging, loading and firing

Before loading the airgun make sure the safety is in the On Safe position and the muzzle is pointed in a safe direction all the time.

Manually move the safety to the on safe position by switching safety lever back toward trigger.



To cock the air rifle, pull the bolt side-lever until the bolt is held in the cocked position.

After cocking, push the cocking side-lever forward in order to push the pellets into the chamber.

To fire, take your target, aim, switch the safety to the fire position and squeeze the trigger until the air rifle discharges.

## HAMMER DE COCK

To de cock the hammer, pull and hold bolt side-lever, remove the magazine from the slot, squeeze the trigger slowly to decock the hammer spring while holding the cocking side-lever handle. **WARNING:** Do not move the safety to the Fire position unless the air gun is pointed in a safe direction. Practice safe and responsible gun handling practices.

**WARNING:** After de cocking the hammer, always to dry fire the air rifle in a safe direction to ensure the breech is clear.



## Power Adjusting

Power can be adjusted with the power adjusting wheel.

Find you an allen key matching the lock screw and unscrew the power adjustment wheel. (hold one side lock nut tightly and rotate another side adjustment wheel )

Max power is at 12 o clock position, turning the knob either to the left or right will lower the power with 9 o clock and 3 o clock positions being fully closed (min power)

Notice: After adjusting, lock the power adjustment lock nuts, do not over tighten.

## Regulator Adjusting

Unscrew (anti-clockwise) the Regulator Air Gauge only in order to drain all airs out of the gun. (Step 1)

**WARNING: Do not unscrew the air tube air gauge under any conditions. Unscrew (anti-clockwise) the air tube gauge will cause unfix-able damages when the gun has airs inside it. Customer will avoid manufacturer's warranty automatically.**

Unscrew (anti-clockwise) the air tube and remove it. (Step 2 and Step 3)

Find you and Allen key and a wrench, Unscrew (anti-clockwise) the reg lock-nut. (Step 4)

Then use the allen key adjust the regulator pressure value.

Screw on the bolt in the clock-wise direction is for decreasing regulator air pressure value. Unscrew the bolt in the anti-clockwise direction is for increasing the regulator air pressure value.(Step 5)

Find you and Allen key and a wrench, lock (anti-clockwise) the reg lock-nut. (Step 6)

Notice: For more regulator tuning info please reach out your dealer and follow your dealer's guiding.



**Step 1**



**Step 2**



**Step 3**



**Step 4**



**Step 5**



**Step 6**



## OPERATIONAL NOTICES

**Modification, Removing or disassembling the safety mechanism**

**Modification, disassembling or removing any of the safety parts can disable the rifle and will void the warranty and will create a hazardous condition.**

### MODIFICATIONS TO THE VALVE

**The valve in the air rifle is not a user-maintainable item. Any attempt to remove or modify the valve in any way will void the warranty and may create a hazardous condition. Filling the air tank with a gas other than dry compressed air is not recommended and will void the warranty.**

### CLEANING THE BARREL

**An airgun barrel needs standard maintenance. If you do clean the barrel, use a good quality bore brush of the correct size, and use a non-jointed cleaning rod if possible. Do not use cleaning solvents and agents formulated for firearms because they can damage the seals and O-rings, use silicon cleaning lubricants and cleaning products.**

### **WARNING**

**This rifle should only be disassembled by factory-authorized technician and a factory-authorized repair station, or you will void manufacturer warranty automatically including any modification or tuning as well.**

### MAINTENANCE OF THE AIR CYLINDER

**AEA Airguns' air cylinder is made of 7075 aluminium alloy. The air cylinders are designed for Use with dry-filtered, compressed air to fill the air cylinder. Never use other gases such as oxygen, acetylene, hydrogen, etc. Never fill the air cylinder above 310 BAR /4500 psi. The resulting damage caused by overcharging the air cylinder is not covered by the manufacturer's warranty.**

### SHOOTING SAFETY

**Never point the muzzle of the rifle at anything you do not intend to shoot. Practice gun safety and responsible gun ownership.**

**Always wear safety glasses when shooting or operating an air rifle, safety first! Avoid shooting targets that will make the pellet ricochet.**

#### **Warranty Information**

**All AEA Airguns carry ONE YEAR Manufacturer Warranty against faulty workmanship and defective materials. The Manufacturer Warranty will start automatically after you purchased an AEA product from the dealer. Any AEA airguns covered by this warranty will be repaired or replaced at the discretion of AEA Precision Airguns Inc, should a defect in material or workmanship be found, Contact your dealer first. If the rifle is determined to have a defect within the warranty period, contact the warranty center or authorized repair facility to arrange service. The warranty guarantee does not cover any damage caused by tampering with the air rifle or abuse. Normal wear parts such as O-rings and plastic magazines are not covered as well.**

**Repairs may only be made by the Manufacturer Warranty Center or authorized repair facility. This warranty becomes invalid for any gun that is disassembled or modified in any way not specifically authorized by AEA Precision Airguns Manufacturer. This warranty also becomes invalid for any gun that has been damaged by abuse or improper handling.**

**A ONE YEAR manufacturer's warranty applies in those instances for all AEA airguns.**

**Official Website: [www.aeaairgun.com](http://www.aeaairgun.com)**

**Email: [aeaairgun@gmail.com](mailto:aeaairgun@gmail.com)**

**Photographs, drawings, descriptions, and other information are purely indicative.**

**AEA Precision Airguns reserves the right to change, modify, or discontinue products or features at any time.**

# Various AEA Airguns Bring You Completely Different Experiences



**AEA**  
PRECISION AIRGUNS

**AEA PRECISION AIRGUNS INC.**

**[www.aeaairgun.com](http://www.aeaairgun.com)**

**[aeaairgun@gmail.com](mailto:aeaairgun@gmail.com)**