

EOS ROYAL - Ground Mounted



Version 2020_1

ASSEMBLY MANUAL



www.EXACO.com

Need help?

Call 877-760-8500

PRODUCT INFORMATION

Dear customer

Thank you for buying a high-quality aluminium greenhouse.

REMARKS

In all drawings you find the mounting-instructions for all basic standard-models. However this manual should be a sufficient guidance for all special-case greenhouses. This greenhouse is designed for cultivation of plants/flowers. Therefore leakage, water drops and condensation inside the building are allowed. The building may only be entered by competent persons during cultivation or maintenance. Aluminium profiles that are not painted may show black stains, these stains are not a production error: they can be easily removed with a aluminium cleaner available at every good drugstore. The rubber strips have been treated with oil/silicone on the interior to facilitate the assembly. The building should be mounted on a solid concrete foundation deep enough to get a solid and frost-free ground. Anchoring of the foundation should be made by the owner or operator and should be checked periodically. During winter the roof has to be cleared of snow or supported in a suitable way. The greenhouse should be built in a location protected from strong winds. Protective gear (such as protective gloves) should be used during mounting in order to avoid injuries. One should at all times pay attention to the local building regulations.

ASSEMBLY ORDER

The assembly procedure is the same for all our greenhouses.

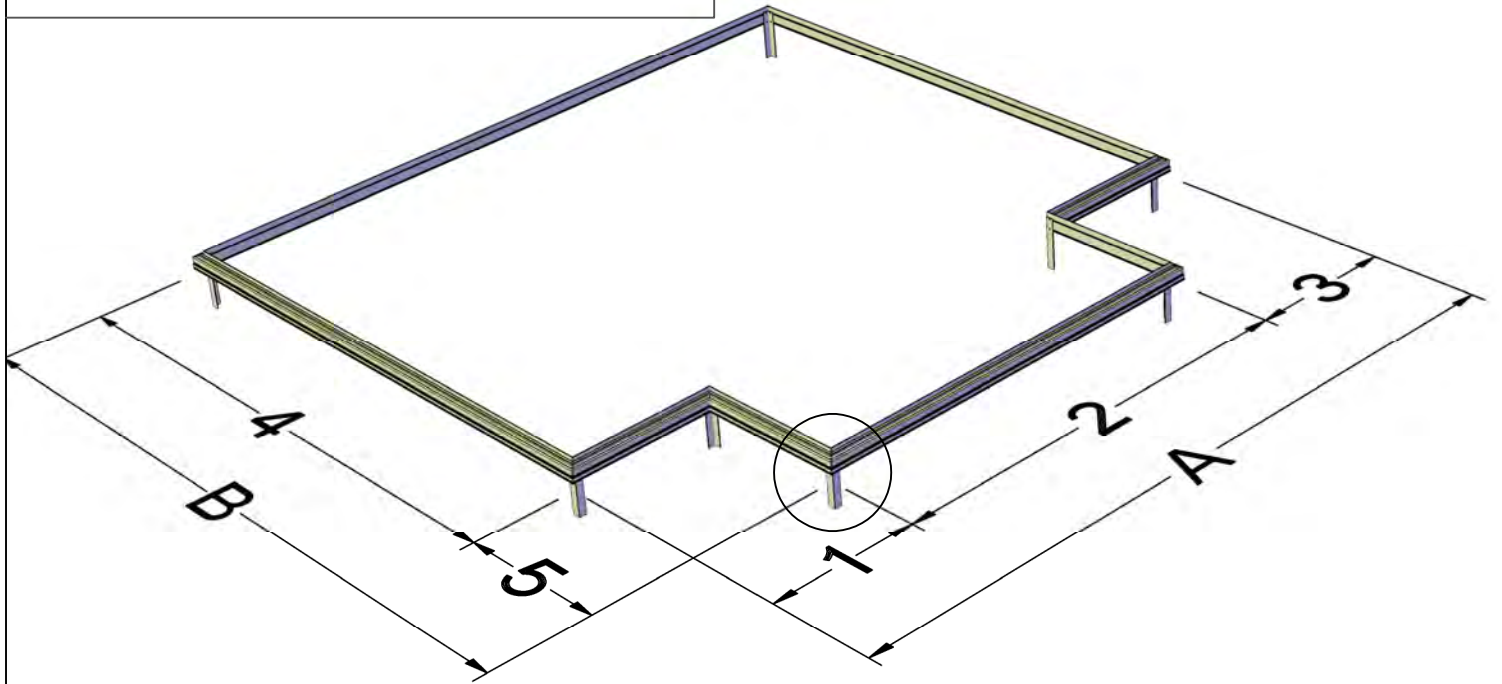
- Sorting of the profiles according the model.
- Mounting of the complete aluminium construction.
- Leveling of the construction using a waterlevel.
- Securing the building to the ground
- Glazing.

REQUIRED TOOLS

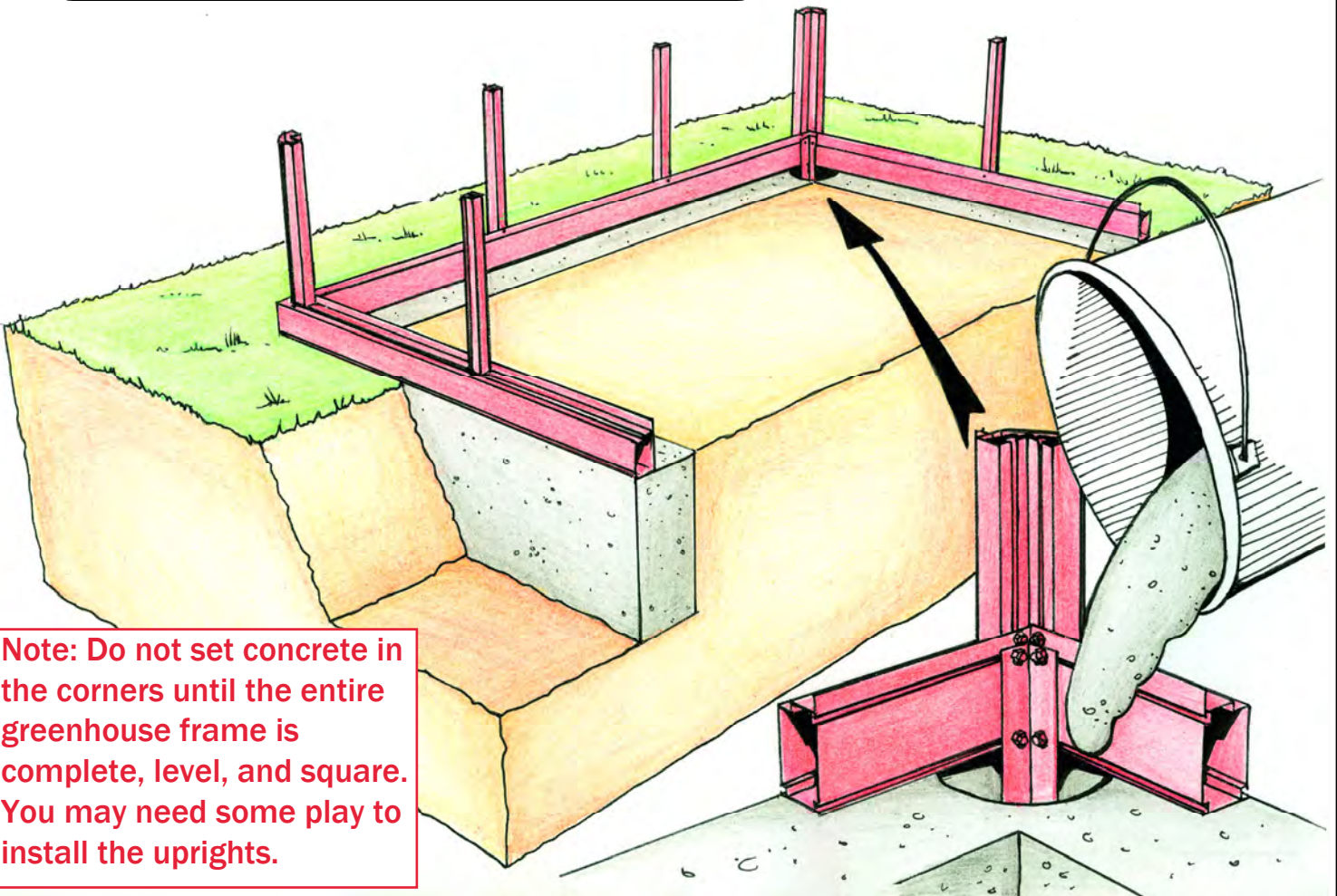
10 mm Socket Wrench
10 mm Open End Wrench
Level
Phillips Screw Driver
Power Drill
5/32 Drill Bit
Scissors (to cut rubber gasket)
Utility Knife
Ladder - 6 Foot Minimum

We reserve the right to change the construction without prior notice!

" ROYAL - T"



A $= 1+2+3$	1	829mm	A $= 4018$
	2	2360mm	
	3	829mm	
B $= 4+5$	4	3098mm	B $= 3927$
	5	829mm	

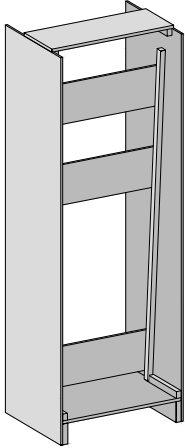









Note: Do not set concrete in the corners until the entire greenhouse frame is complete, level, and square. You may need some play to install the uprights.

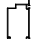

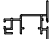













PALLET 1 ROYAL T

WEIGHT: 342 KG

DIMENSIONS:
800 x 900 x 2200 MM



ITEM	PC
 ROOFWINDOW	4 PC
 BAG_SILICONE	1 PC
 DOUBLE TURNING DOOR	1 PC
 SPANDREL	10 PC
 RIDGE DECORATION (Box)	2 + 1 PC
 LOUVRE VENT	2 PC
 BAG_GLASS SPACERS (80 pcs)	2 PC

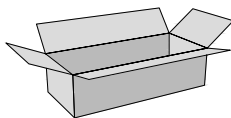
ITEM	PC
 PRO6120 FOUNDATION PROFILE	459 MM L 1 PC
 PRO6120 FOUNDATION PROFILE	459 MM R 1 PC
 PRO20229 HORIZONTAL GABLE PROF	401 MM 2 PC
 PROI456 GLAZING BAR	1005MM 4 PC
 PROI456 GLAZING BAR	603 MM 2 PC
 PROI456 GLAZING BAR	203 MM 2 PC
 PROI456 GLAZING BAR	472 MM L 1 PC
 PROI456 GLAZING BAR	472 MM R 1 PC
 PROI456 GLAZING BAR	645 MM L 1 PC
 PROI456 GLAZING BAR	645 MM R 1 PC
 PROI456 GLAZING BAR	1075 MM L 1 PC
 PROI456 GLAZING BAR	1075 MM R 1 PC
 PROI456 GLAZING BAR	900 MM L 1 PC
 PROI456 GLAZING BAR	900 MM R 1 PC
 PROI456 GLAZING BAR	1408 MM L 1 PC
 PROI456 GLAZING BAR	1408 MM R 1 PC







POSITION	GLAS DIMENSIONS	PC
ROOF	450 X 1850 MM	2 PC
ROOF	361 X 1850 MM	4 PC
ROOF	361 X 1450 MM	4 PC
ROOF	361 X 1020 MM	8 PC
ROOF	730 X 825 MM	4 PC
MODEL RT8	361 X 1391 X 1850 MM (*32 MM)	2 PC
MODEL RT7	361 X 890 X 1392 MM	2 PC
MODEL RT6	361 X 1065 X 1450 MM (*35 MM)	2 PC
MODEL RT5	361 X 640 X 1066 MM	2 PC
MODEL RT2	432 X 287 X 882 MM	2 PC
TRIANGLE RTI	625 X 545 MM	2 PC
MODEL E11	361 X 888 X 1090 MM (*75 MM)	4 PC
MODEL E10	361 X 620 X 882 MM	4 PC
MODEL E9	361 X 351 X 614 MM	4 PC
MODEL E8	361 X 83 X 348 MM	4 PC
MODEL R3	361 X 490 X 710 MM (*70 MM)	2 PC
MODEL R2	361 X 186 X 480 MM	2 PC
MODEL E6	361 X 85 X 379 MM	2 PC

COLLI 2 ROYAL T

WEIGHT: 19 KG

DIMENSIONS:
240 x 200 x 2600 MM

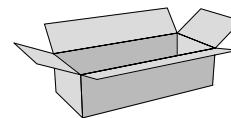







ITEM	PC
 PRO6120 FOUNDATION PROFILE	2009 MM L 1 PC
 PRO6120 FOUNDATION PROFILE	2009 MM R 1 PC
 PRO6120 FOUNDATION PROFILE	829 MM L 2 PC
 PRO6120 FOUNDATION PROFILE	829 MM R 2 PC
 PRO20779 GUTTER PROFILE	2009 MM L 1 PC
 PRO20779 GUTTER PROFILE	2009 MM R 1 PC

COLLI 4 ROYAL T

WEIGHT: 17 KG

DIMENSIONS:
300 x 120 x 2600 MM

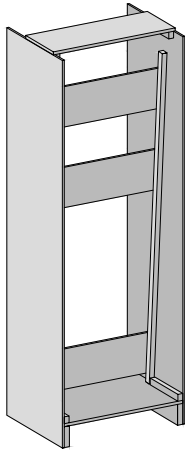



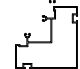
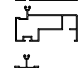
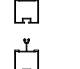
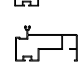
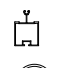

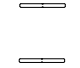



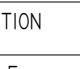

ITEM	PC
 PRO40091 RIDGE PROFILE	2009 MM 2 PC
 RIDGE ROYAL-T	1 PC
 SPANDREL	1 PC
 U 30X30X30	1500 MM 1 PC
 K 30X30	1500 MM 1 PC

PALLET 2 ROYAL T

WEIGHT: 375 KG

DIMENSIONS:
800 x 900 x 2200 MM



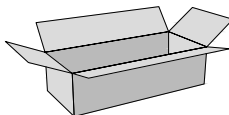
ITEM	PC
 PRO06578 CORNER PROFILE	1630 MM 6 PC
 PRO040633 INNER CORNER PROFILE	1630 MM 2 PC
 PRO06918 ENDBAR ROOF	1830 MM 4 PC
 PRO01456 GLAZING BAR	1830 MM 9 PC
 PRO01456 GLAZING BAR	1630 MM 25 PC
 PRO06918 ENDBAR ROOF	1430 MM 2 PC
 PRO01456 GLAZING BAR	1430 MM 4 PC
 PRO010980 ROUND TUBE Ø40	1700 MM 4 PC
 TRE WIND BRACINGS SIDES	1975 MM 2 PC
 TRE WIND BRACINGS SIDES	1795 MM 10 PC
 TRE WIND BRACINGS SIDES	1673 MM 2 PC
 TRE WIND BRACINGS SIDES	1611 MM 2 PC
 PRO01748 RUBBER	12,5 M/ROL 14 PC

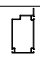
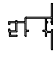
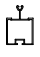
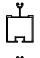



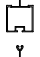




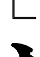

POSITION	GLAS DIMENSIONS	PC
GABLE	557 X 1748 MM	2 PC
GABLE	361 X 1650 MM	30 PC
GABLE	450 X 1650 MM	2 PC
GABLE	361 X 625 MM	4 PC

COLLI 1 ROYAL T

WEIGHT: 26 KG

DIMENSIONS:
240 x 170 x 2600 MM

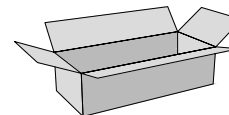


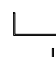
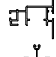
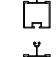
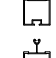
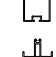


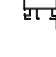





ITEM	PC
 PRO06120 FOUNDATION PROFILE	3098 MM 2 PC
 PRO020229 HORIZONTAL GABLE PROF	2982 MM 2 PC
 PRO01456 GLAZING BAR	1090 MM 2 PC
 PRO01456 GLAZING BAR	871 MM L 2 PC
 PRO01456 GLAZING BAR	871 MM R 2 PC
 PRO01456 GLAZING BAR	602 MM L 2 PC
 PRO01456 GLAZING BAR	602 MM R 2 PC
 PRO01456 GLAZING BAR	334 MM L 2 PC
 PRO01456 GLAZING BAR	334 MM R 2 PC
 PRO021214 WIND BRACING GABLE	Ø 19 MM 2 PC
 TRE WIND BRACINGS SIDES	2365 MM 2 PC
 SAPAK_EOS	1 PC
 L 40x40 GATFUND	400 MM 4 PC
 E400330 GLAZING RUBBER	20 M/ROL 1 PC

COLLI 3 ROYAL T

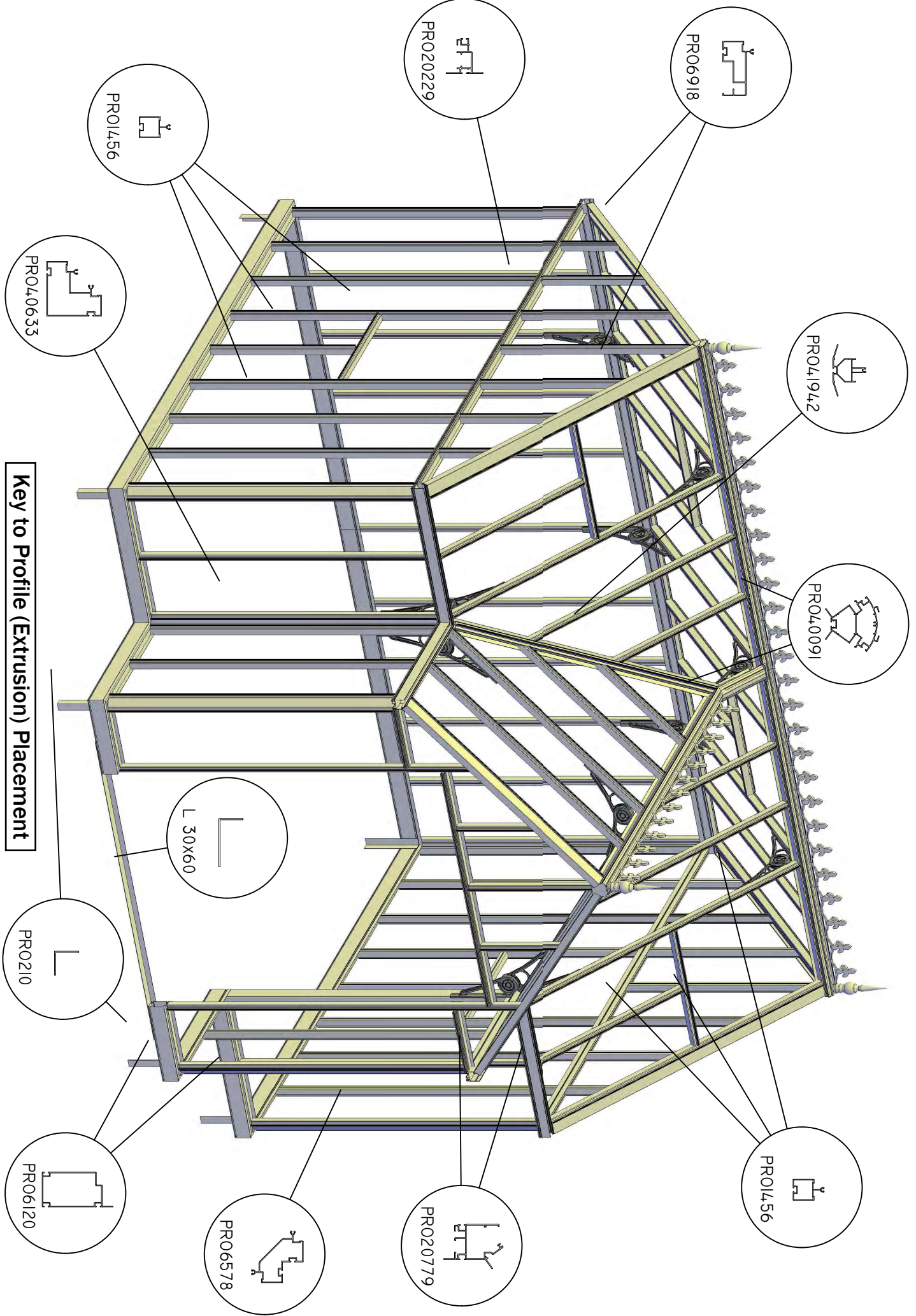
WEIGHT: 25 KG

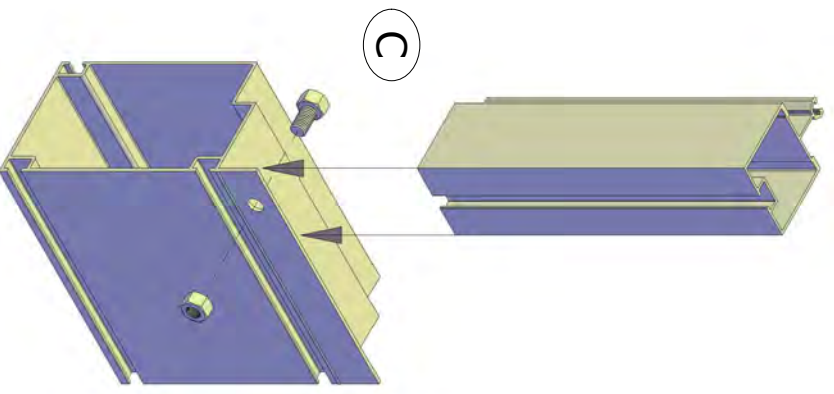
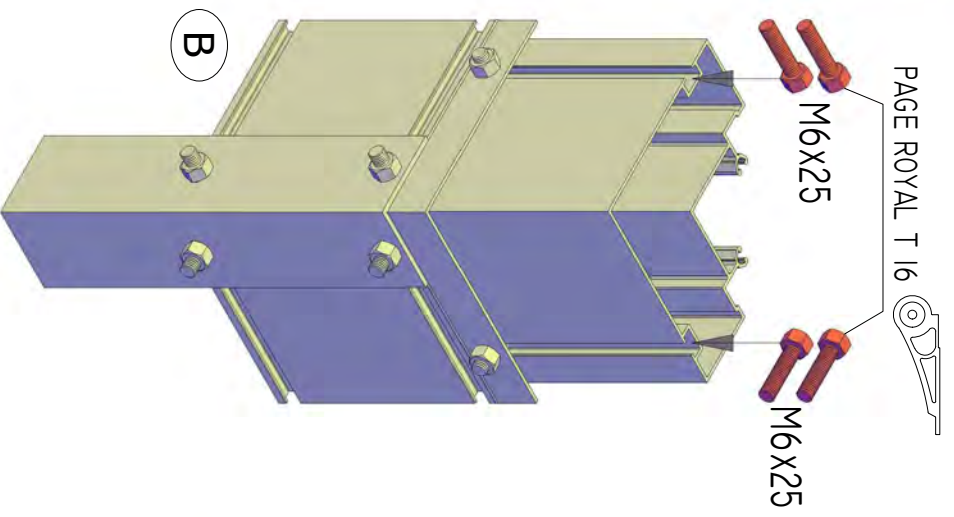
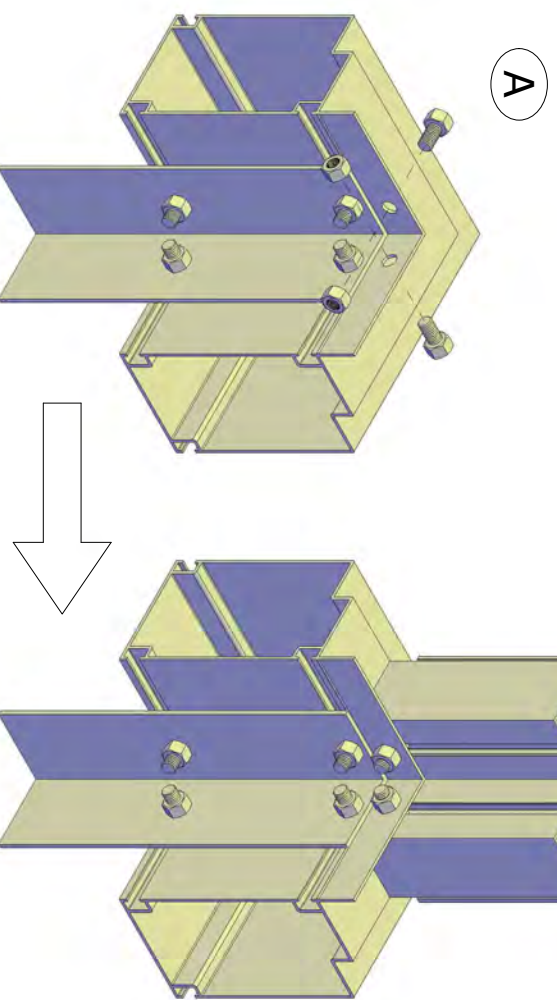
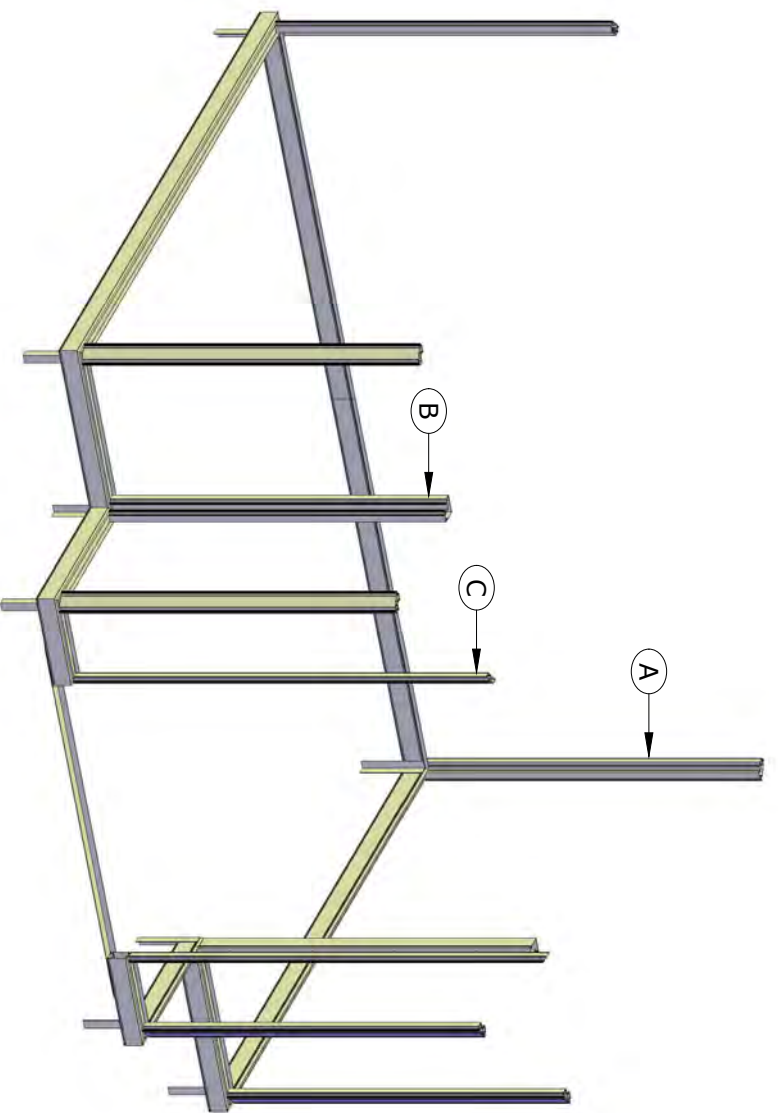
DIMENSIONS:
240 x 200 x 2600 MM

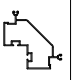
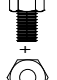
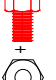
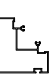
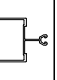


ITEM	PC
 L 30 x 60	1930 MM 1 PC
 PRO020229 HORIZONTAL GABLE PROF	1511 MM 1 PC
 PRO01456 GLAZING BAR	2026 MM L 1 PC
 PRO01456 GLAZING BAR	2026 MM R 1 PC
 PRO01456 GLAZING BAR	718 MM 1 PC
 PRO041942 VALLEY ROOFBEEM	1942 MM 2 PC
 PRO020779 GUTTER PROFILE	829 MM L 2 PC
 PRO020779 GUTTER PROFILE	829 MM R 2 PC
 L 40x40 GATFUND	400 MM 4 PC
 PRO02290 HEAVY RUBBER	2500 MM 2 PC
 ZAK T-MODEL	1 PC
 SAPAK ROYAL-T 236	1 PC
 BAG BOLTS_NUTS	7 PC

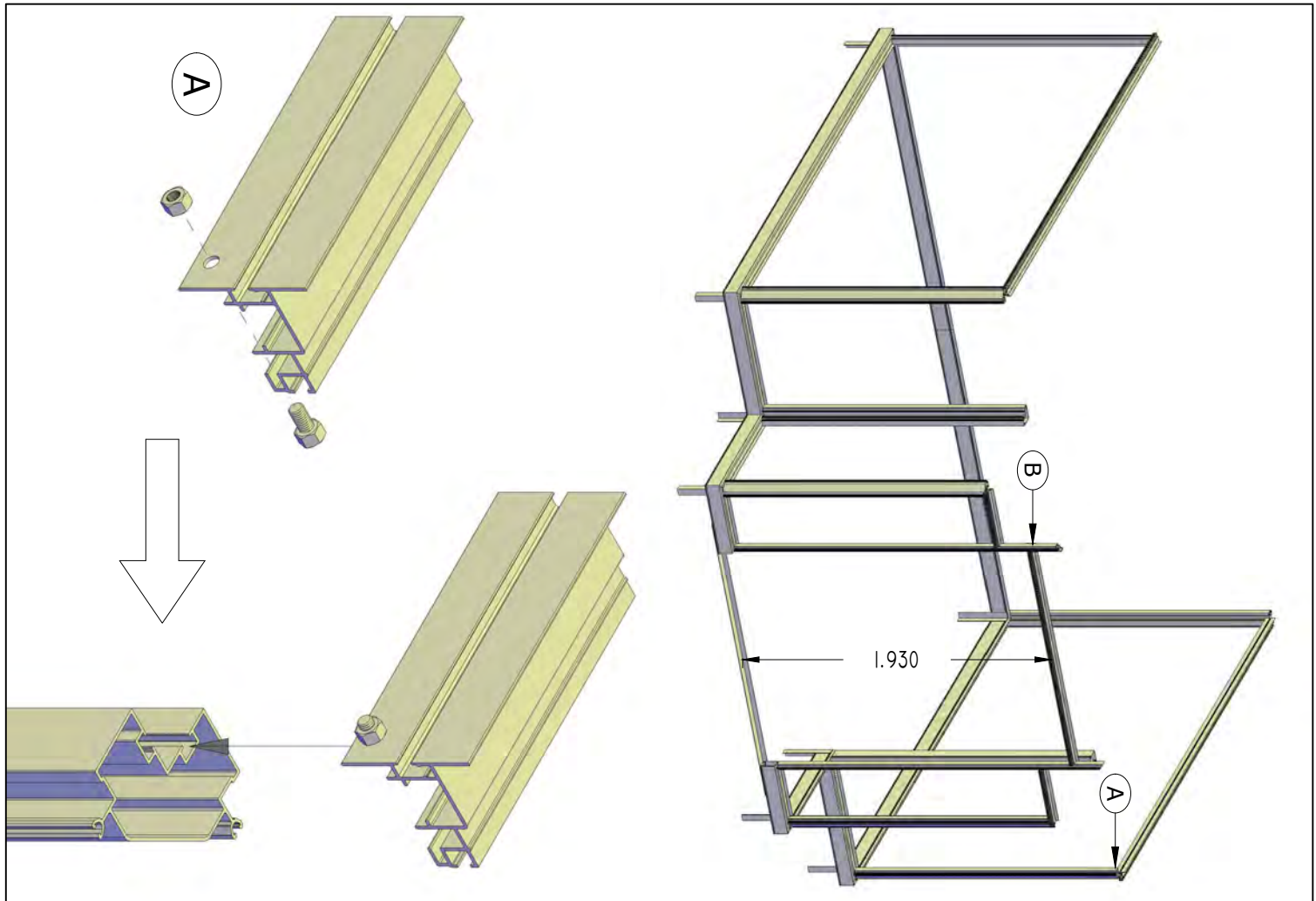
Key to Profile (Extrusion) Placement

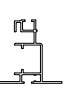
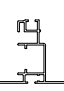
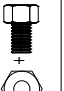
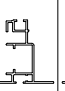


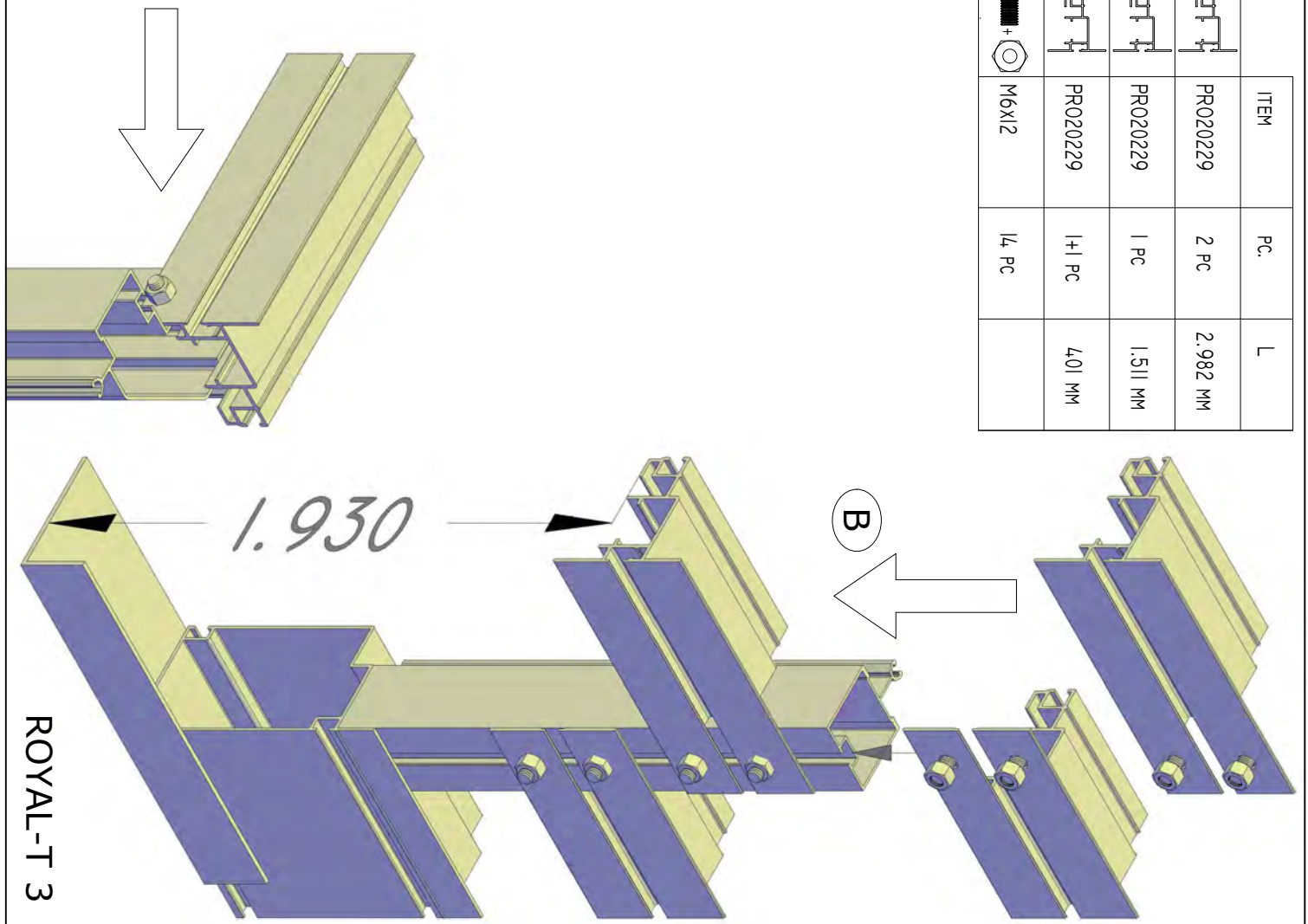


ITEM	PC.	L
 PR06578	6 PC	1.630 MM
 M6X12	18 PC	
 M6X25	8 PC	
 PR0406335	2 PC	1.630 MM
 PR01456	1+1 PC	2.026 MM

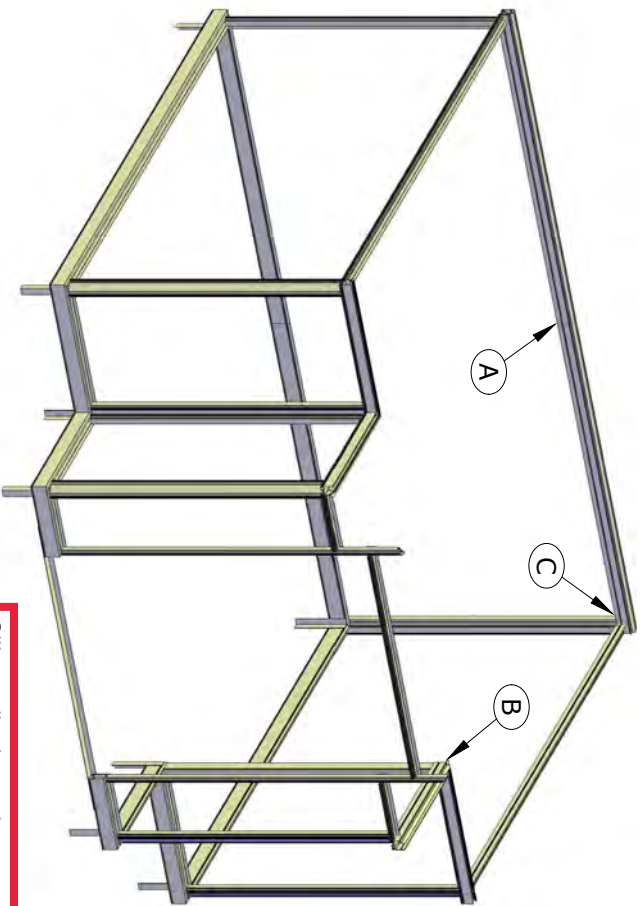
ROYAL-T 2






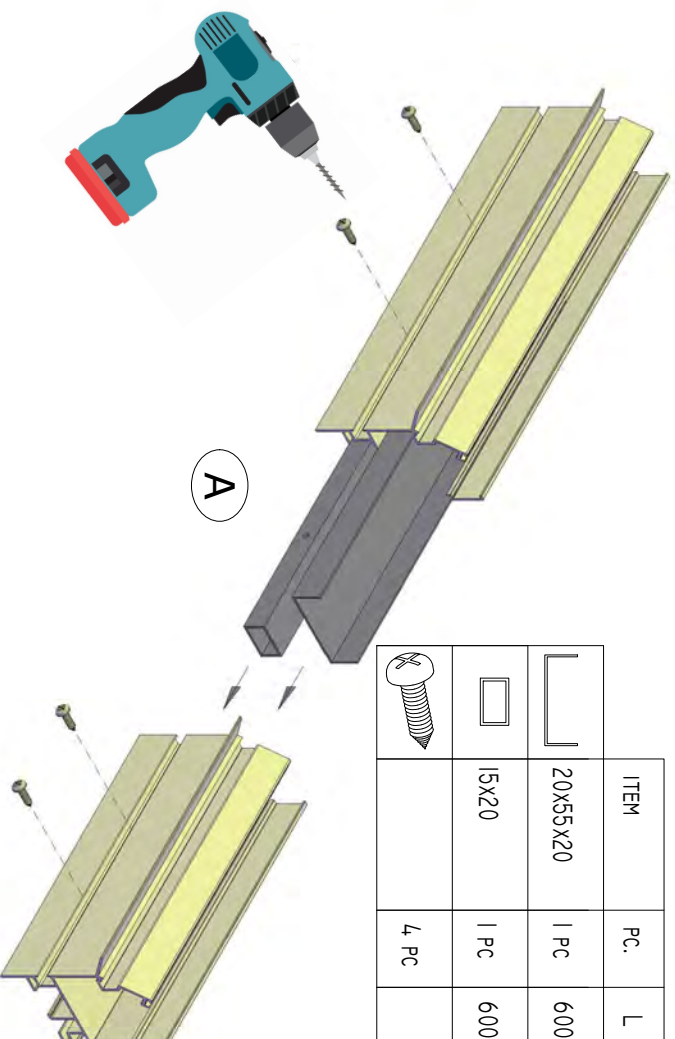
ITEM	PC.	L
 PRO202229	2 PC	2.982 MM
 PRO202229	1 PC	1.511 MM
 M6x12	14 PC	
 PRO202229	1+1 PC	401 MM



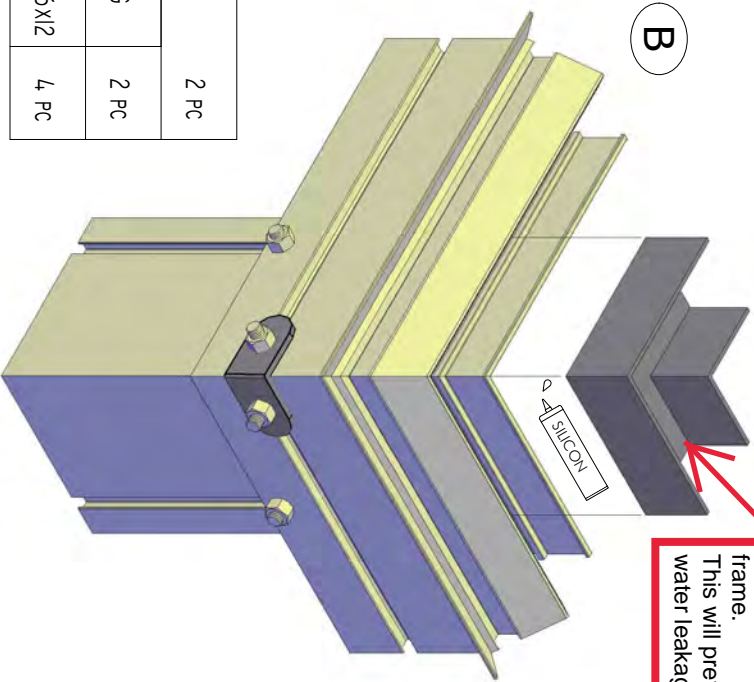
ROYAL-T 3



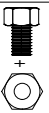


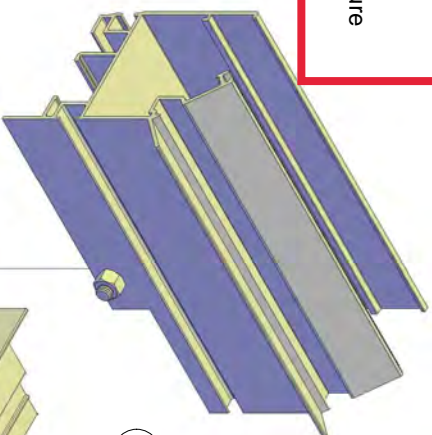
ITEM	PC.	L
	1 PC	600 MM
	1 PC	600 MM
	4 PC	


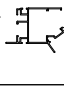
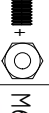


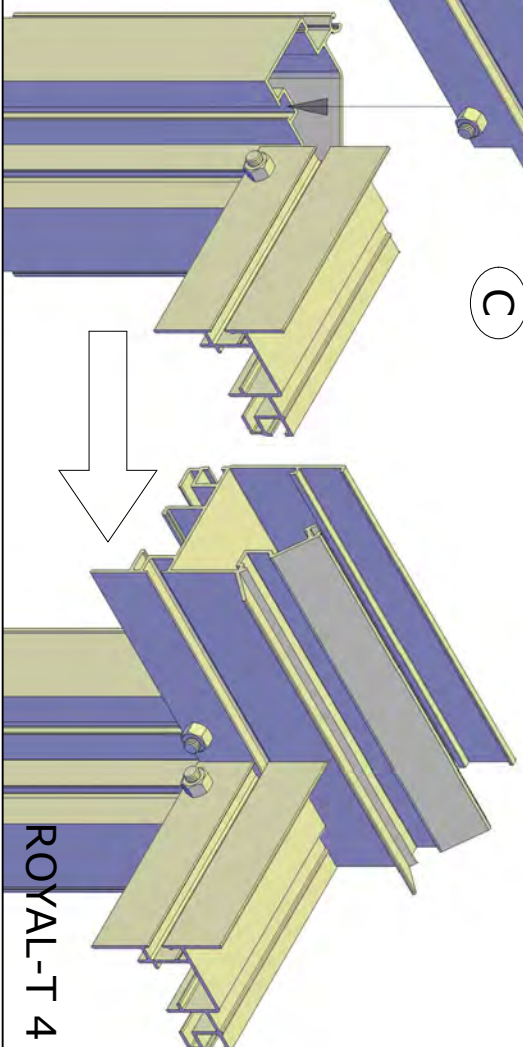
Silicon all edges where this piece meets the frame. This will prevent future water leakage.



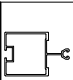
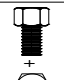
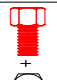
	2 PC
	2 PC
	4 PC



ITEM	PC.	L
	1+1 PC	2.010 MM
	2+2 PC	829 MM
	10 PC	

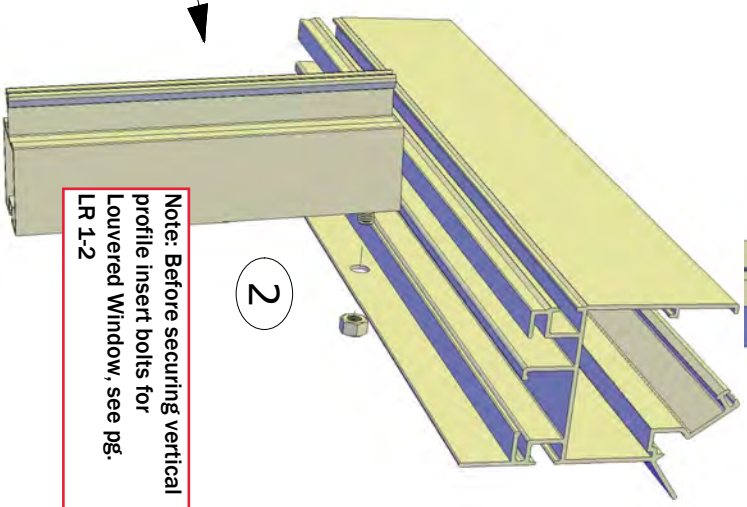
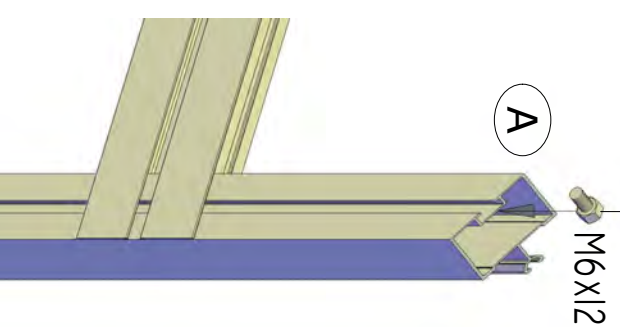
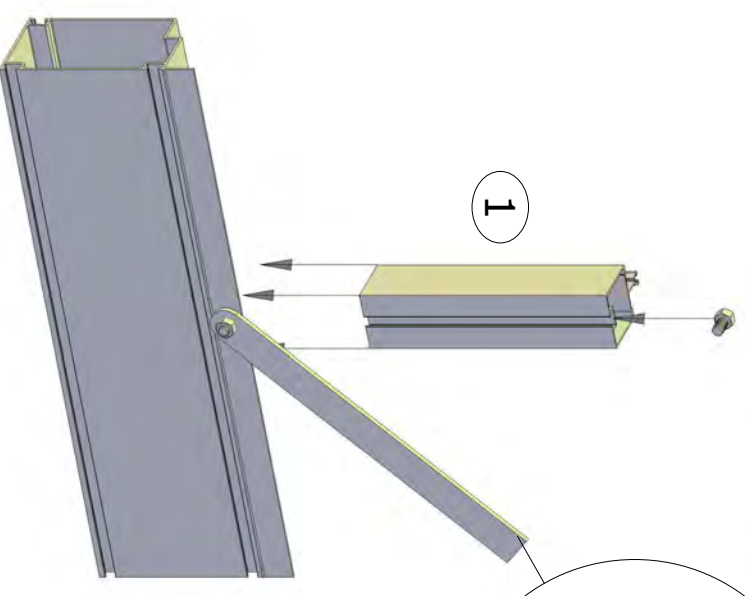
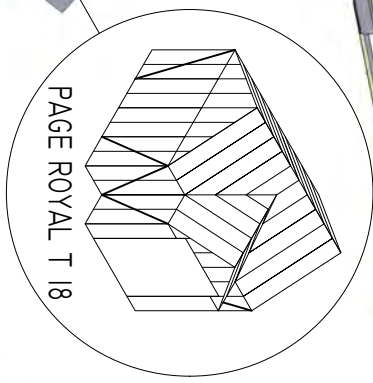
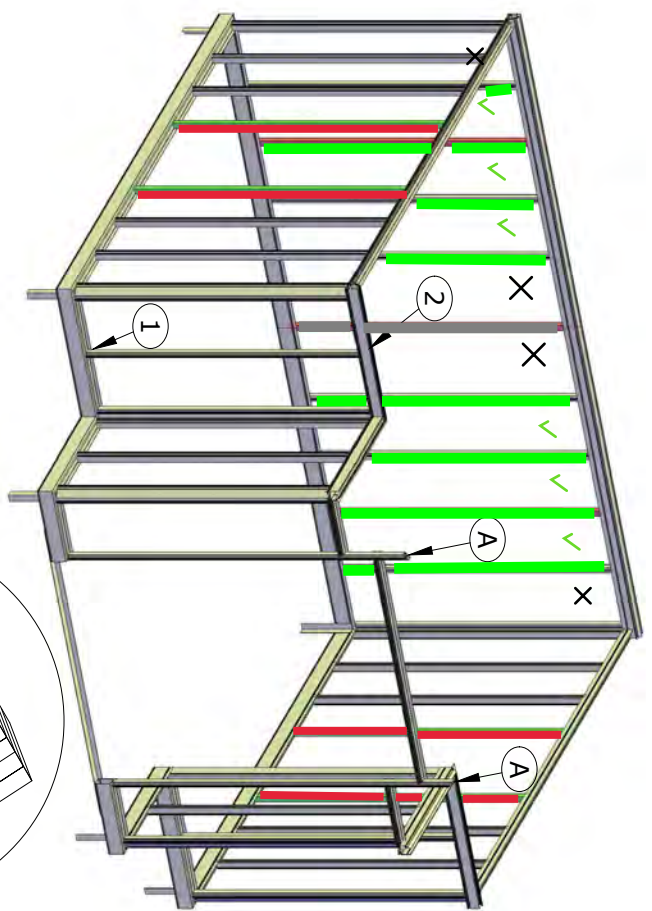


ROYAL-T 4

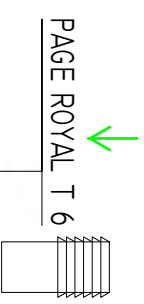
ITEM	PC.	L
	PRO1456	25 PC
	M6X12	50+8+2 PC
	M6X25	6 PC
		1.630 MM

Louvre Window - Install in locations along the back wall outlined in green. May install in locations outlined in red only if a seed tray is not present.

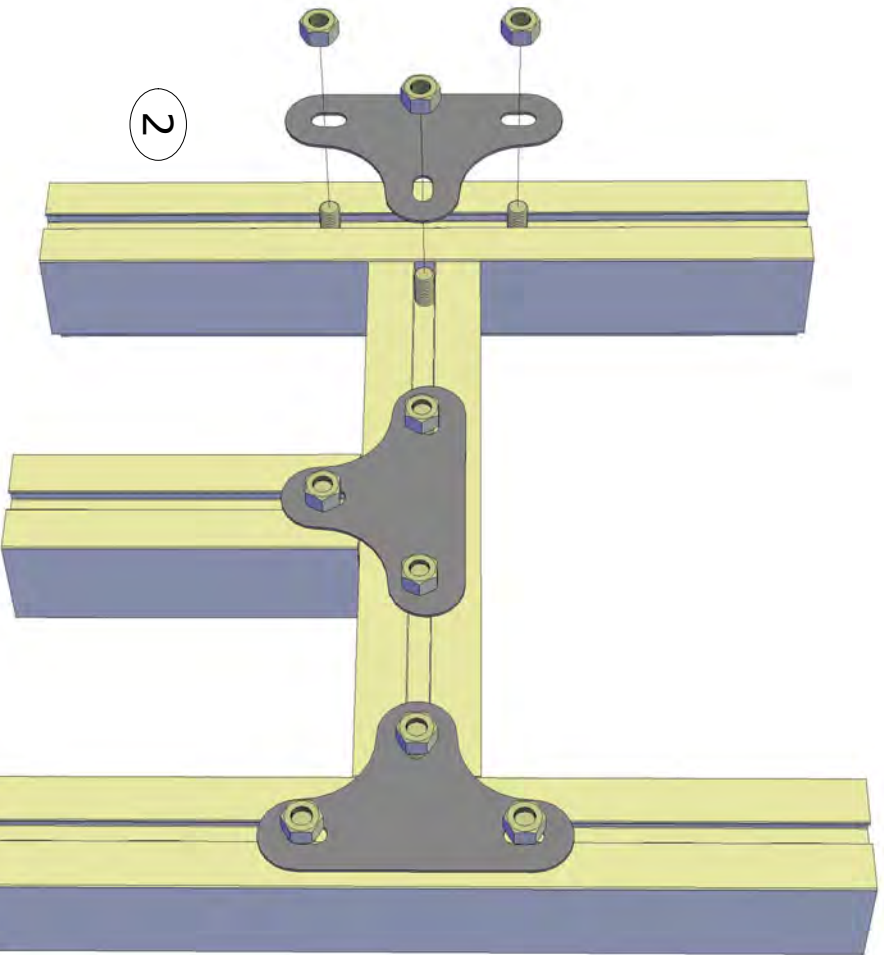
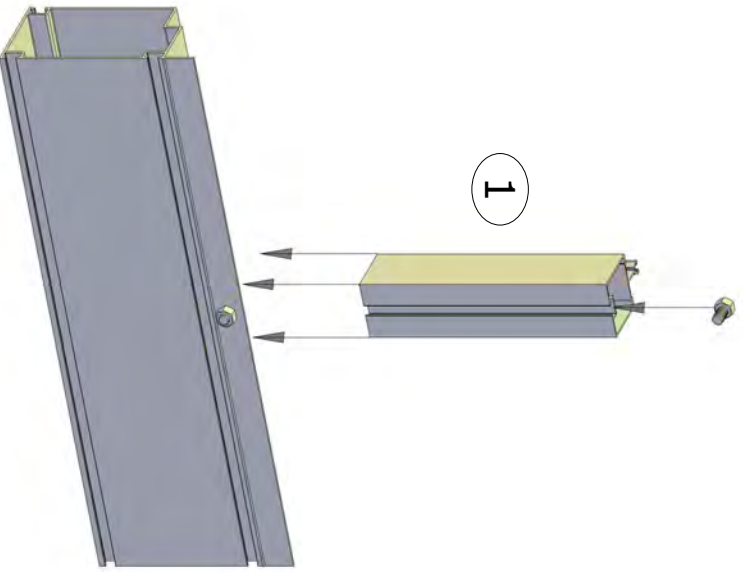
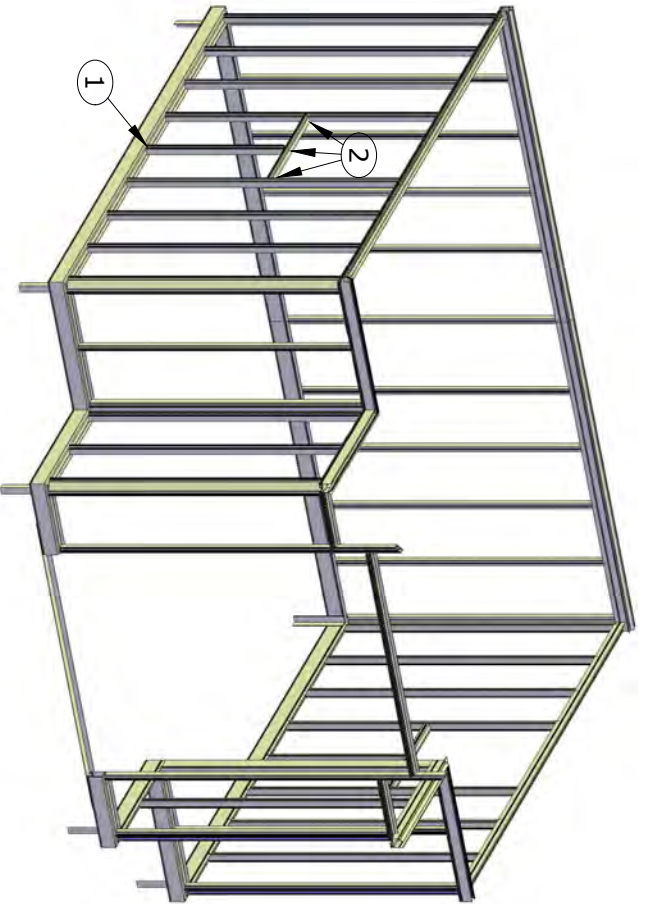
Seed Tray - Install in either of the locations outlined in red. Do not install a Louvre window in the same location.

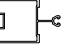




Note: Before securing vertical profile insert bolts for Louvered Window, see pg. LR 1-2

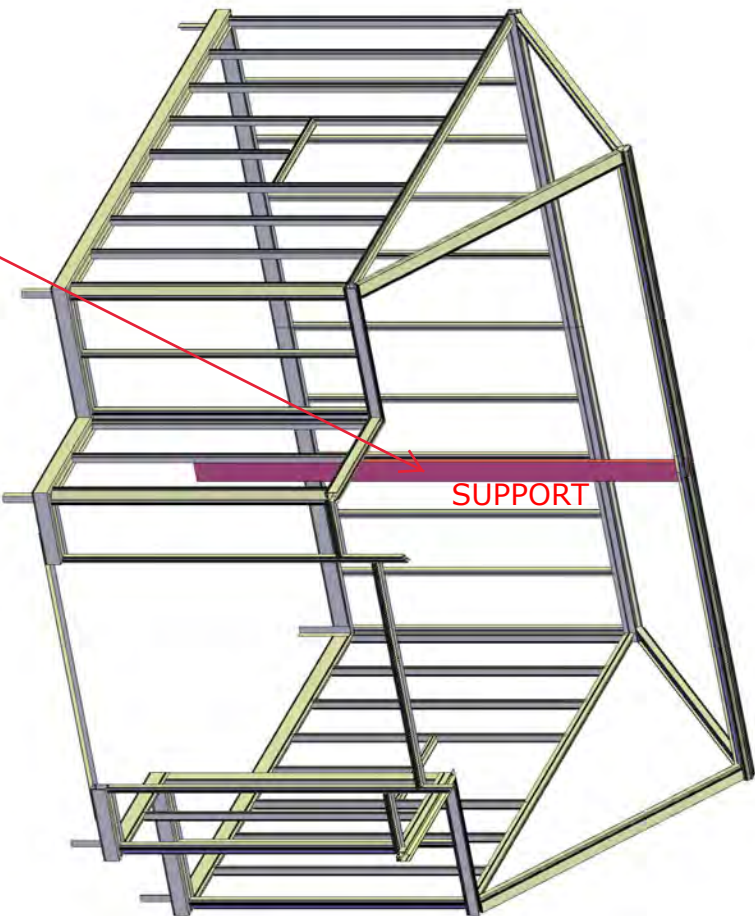


ROYAL-T 5



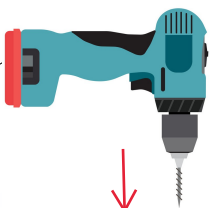
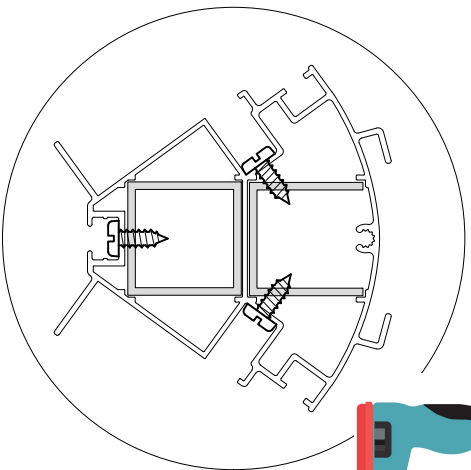
ITEM	P.C.	L
 PR01456	2 PC	603 MM
 PR01456	2 PC	703 MM
 M6X12	12 PC	

ROYAL-T 6

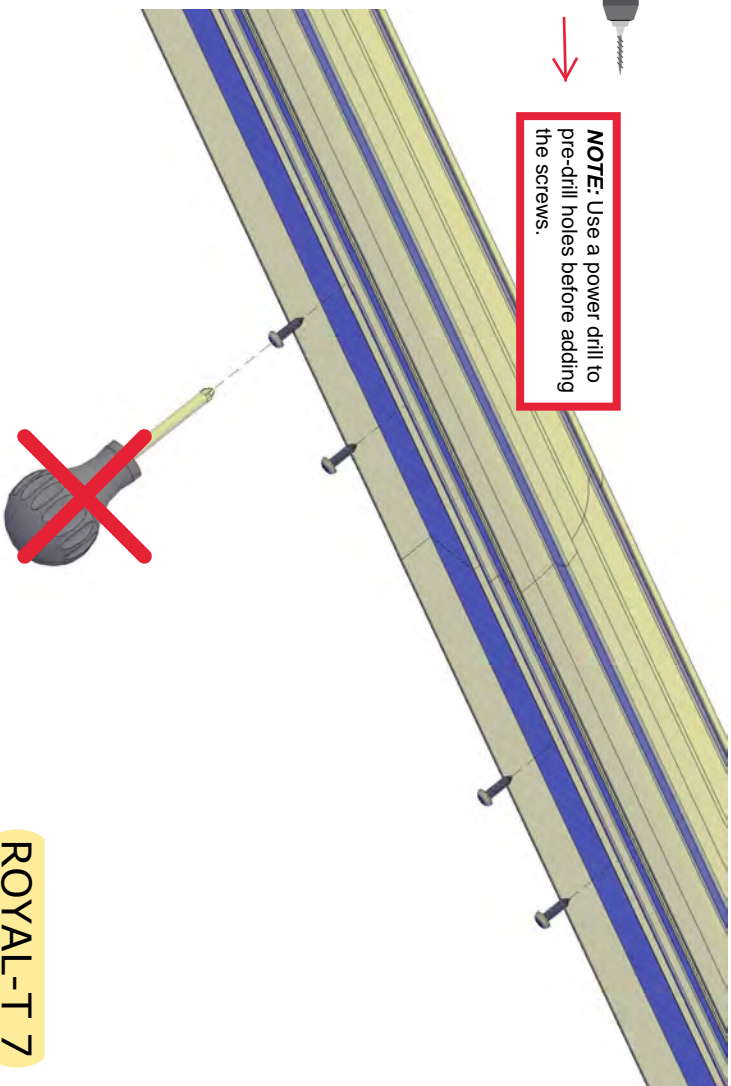
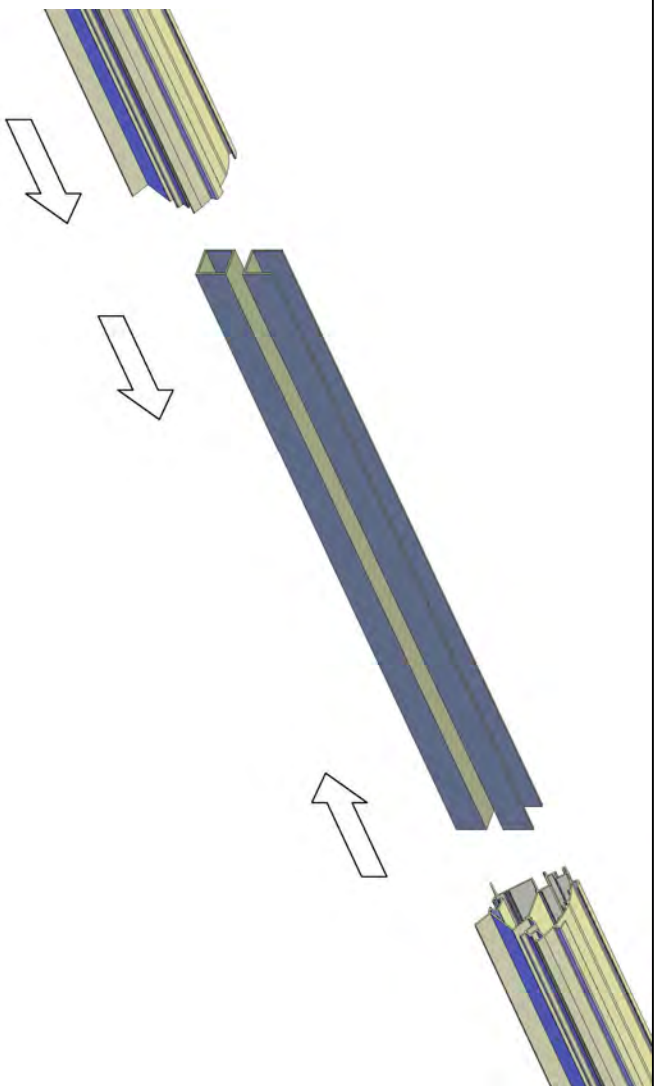


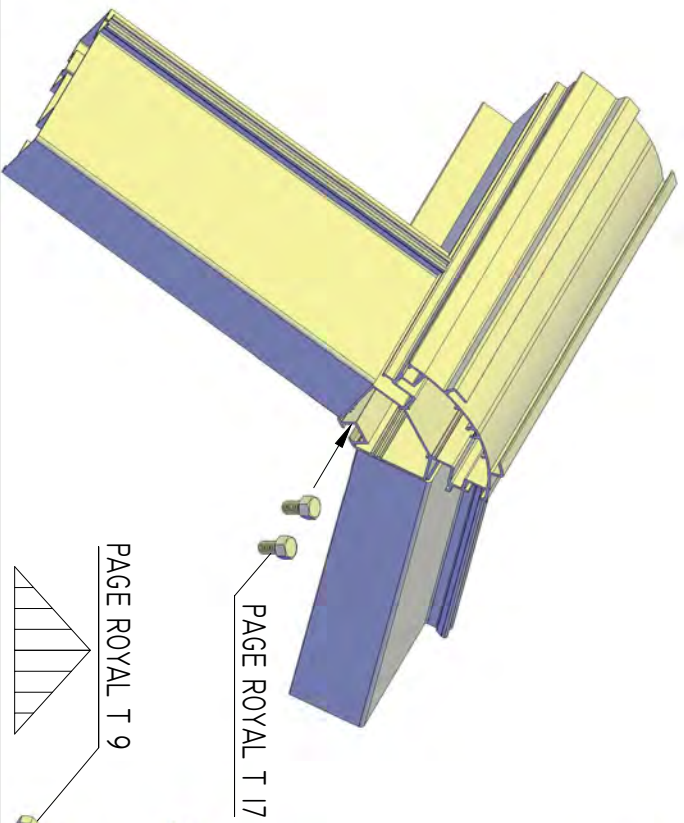
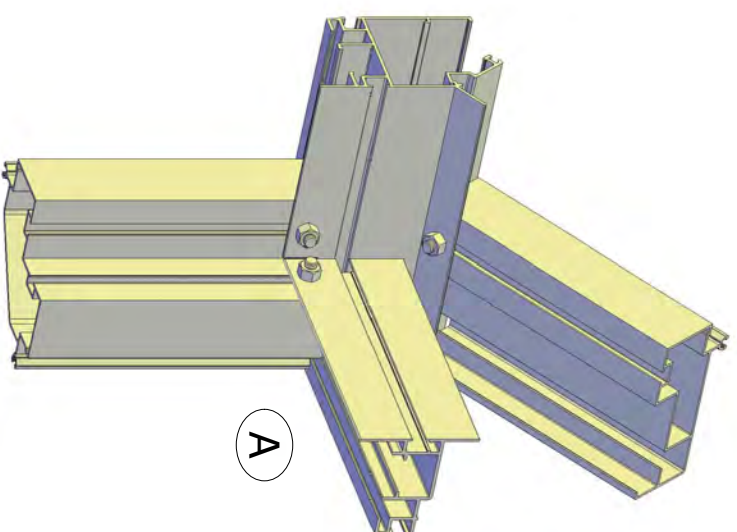
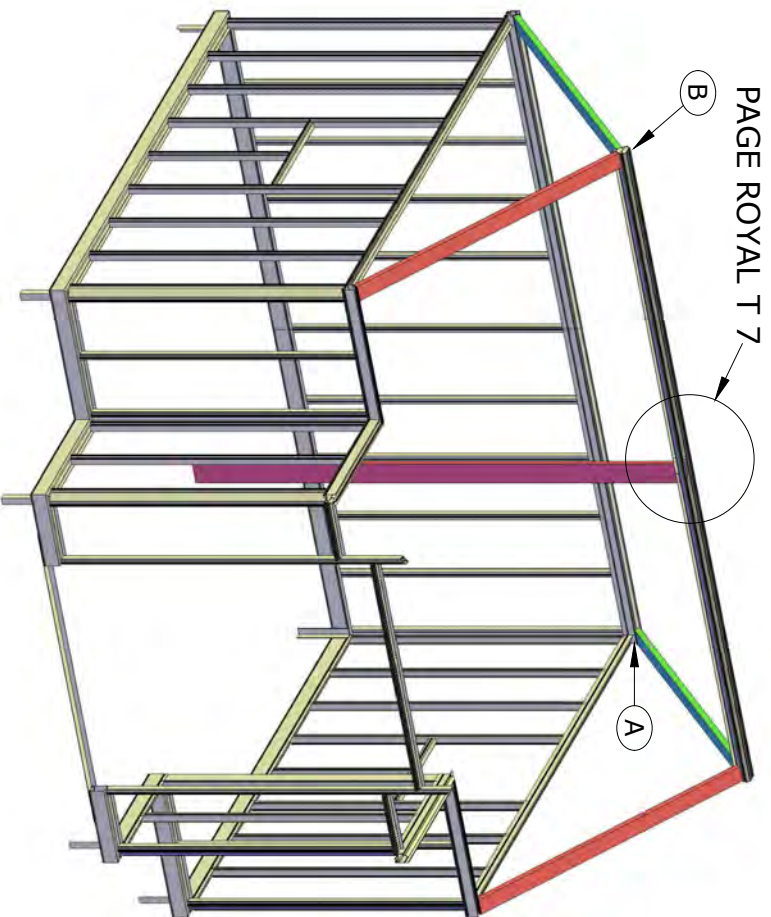
Optional: Use a piece of wood to provide extra support.
Buy 10ft 2x4 and cut to fit.

ITEM	PC.	L
K 30 X 30	1 PC	1.500 MM
U 30 X 30	1 PC	1.500 MM
PRO40091	1+1 PC	2.010 MM
	12 PC	



NOTE: Use a power drill to pre-drill holes before adding the screws.



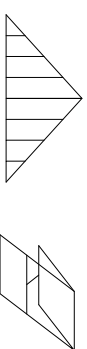


PAGE ROYAL T 9

PAGE ROYAL T 17

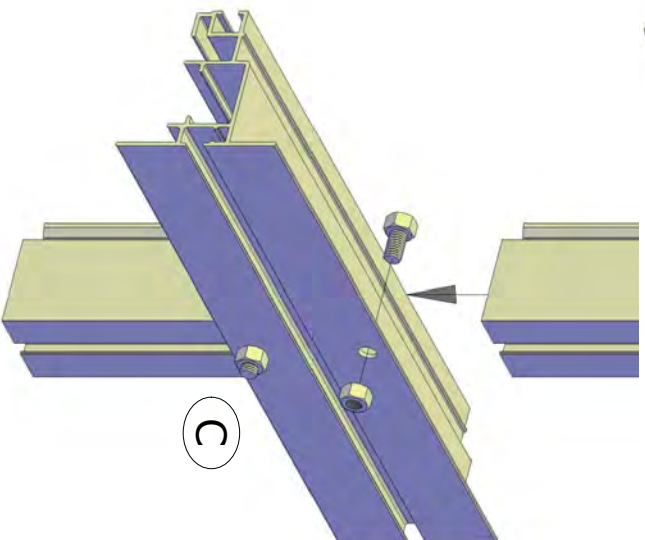
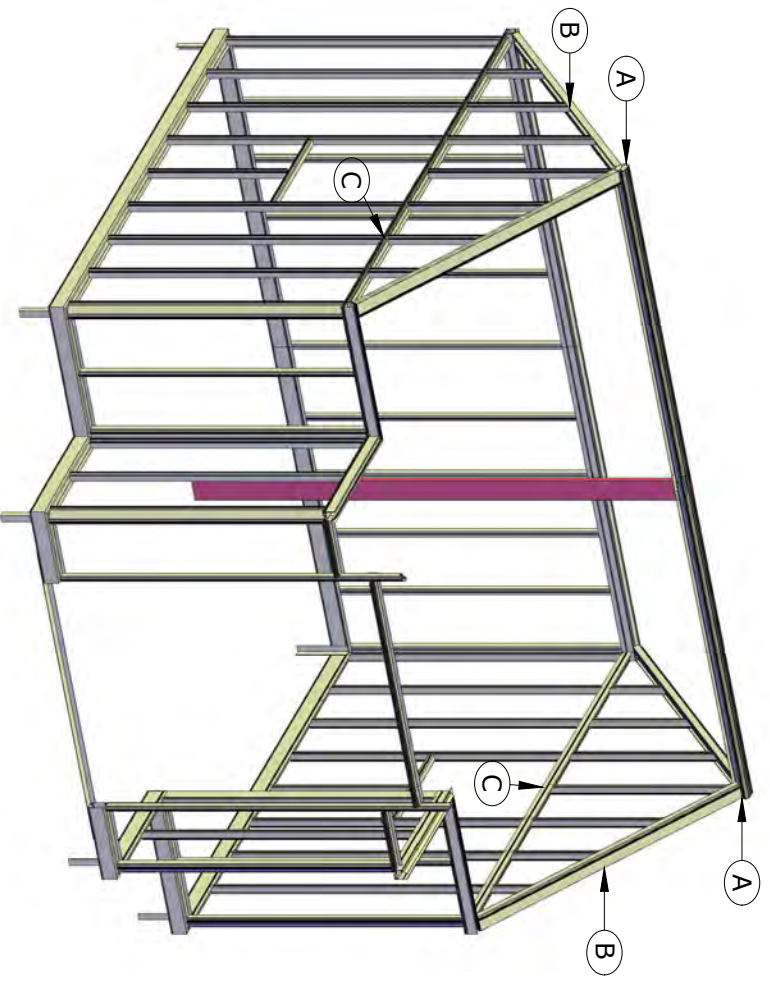
B

PAGE ROYAL T 9 + II

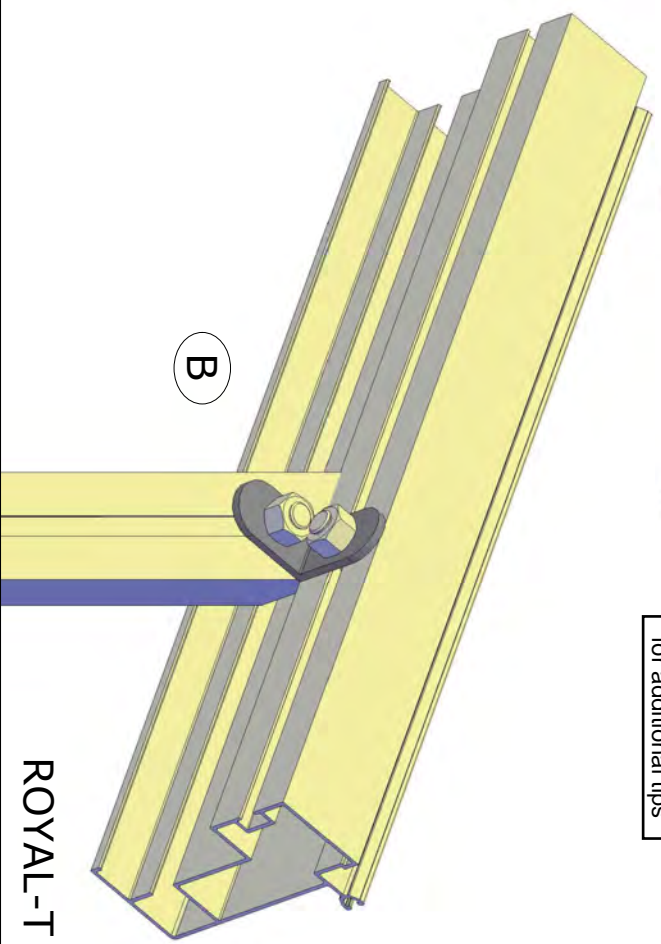
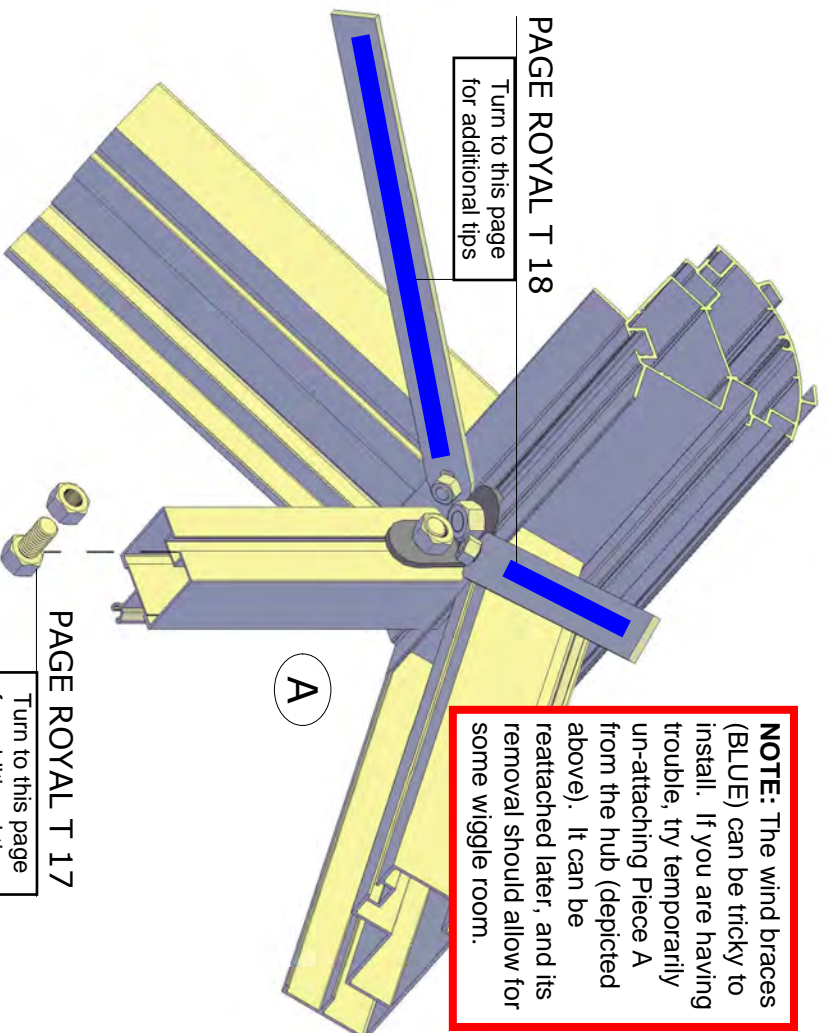


ITEM	P.C.	L
PR06918	4 p.c.	1.830 MM
M6X12	8+4+16 p.c.	

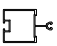
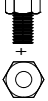

ROYAL-T 8

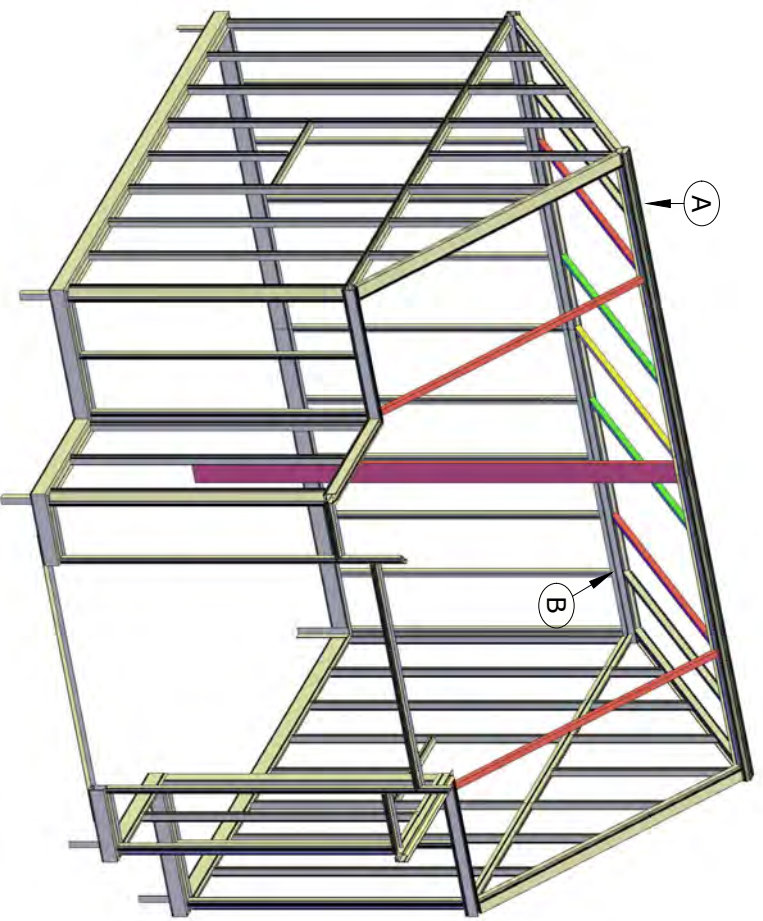


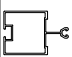
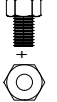
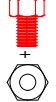
NOTE: The wind braces (BLUE) can be tricky to install. If you are having trouble, try temporarily un-attaching Piece A from the hub (depicted above). It can be reattached later, and its removal should allow for some wiggle room.

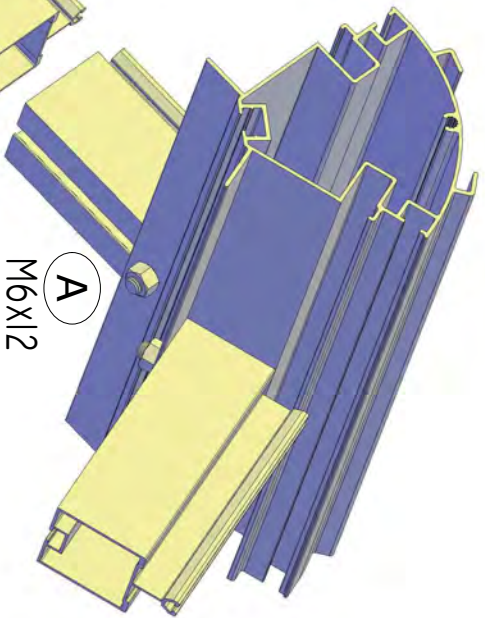
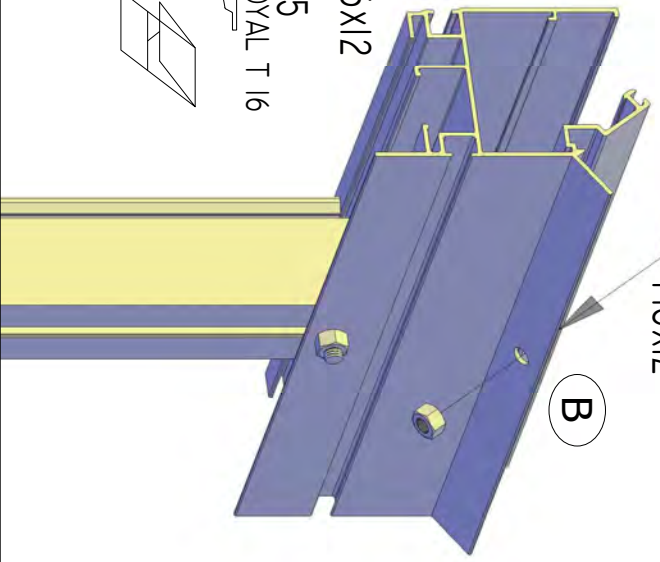
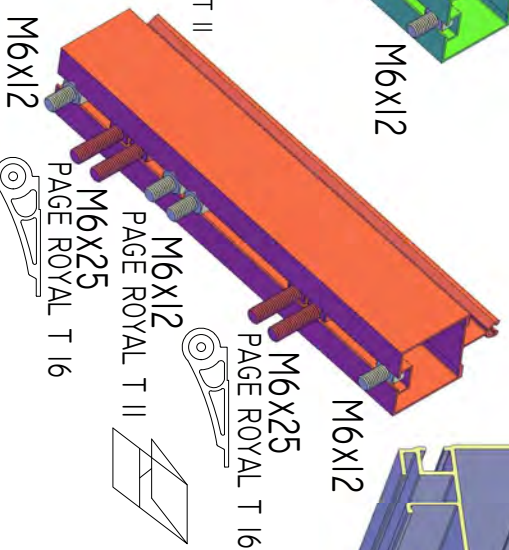
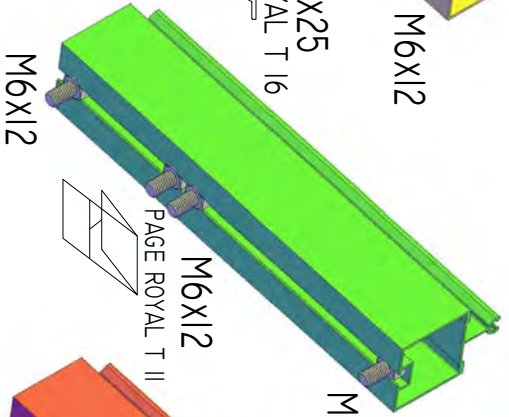
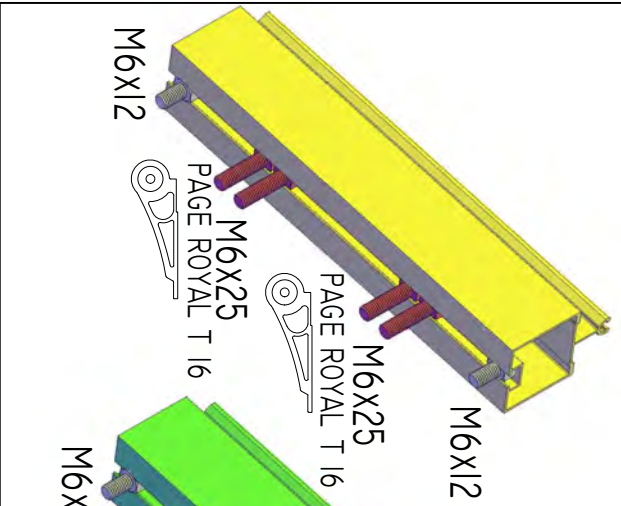


ROYAL-T 9

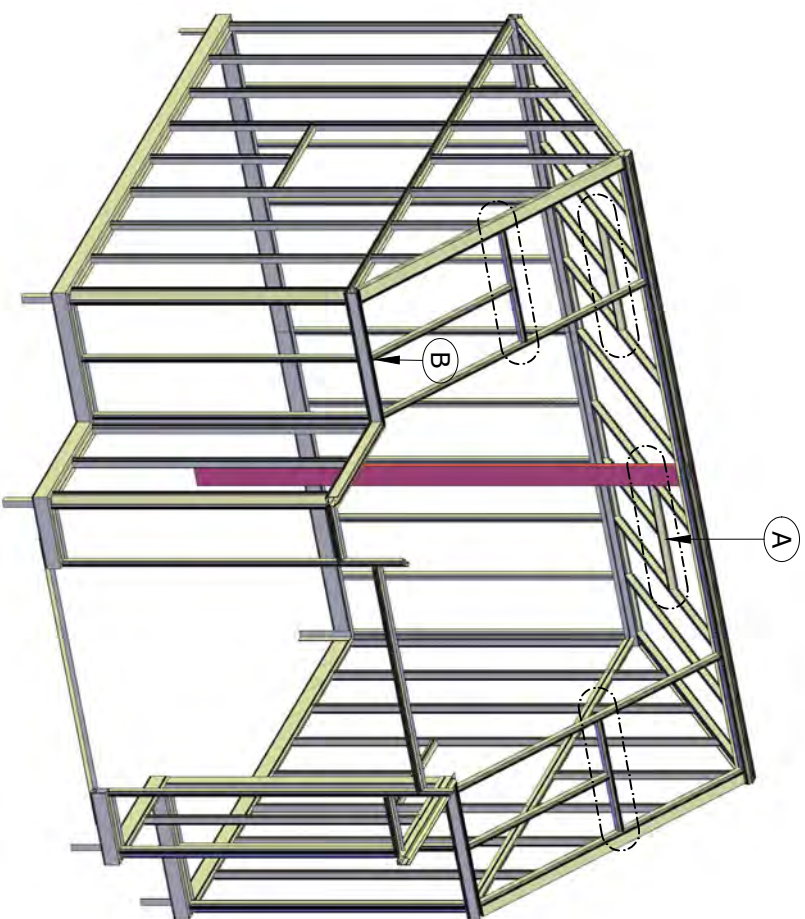
ITEM	P.C.	L
	2 P.C.	1.090 MM
PRO1456	4 P.C.	334 MM
PRO1456	4 P.C.	602 MM
PRO1456	4 P.C.	871 MM
	28+2 P.C.	
M6X15		
	1/4 P.C.	
L6		



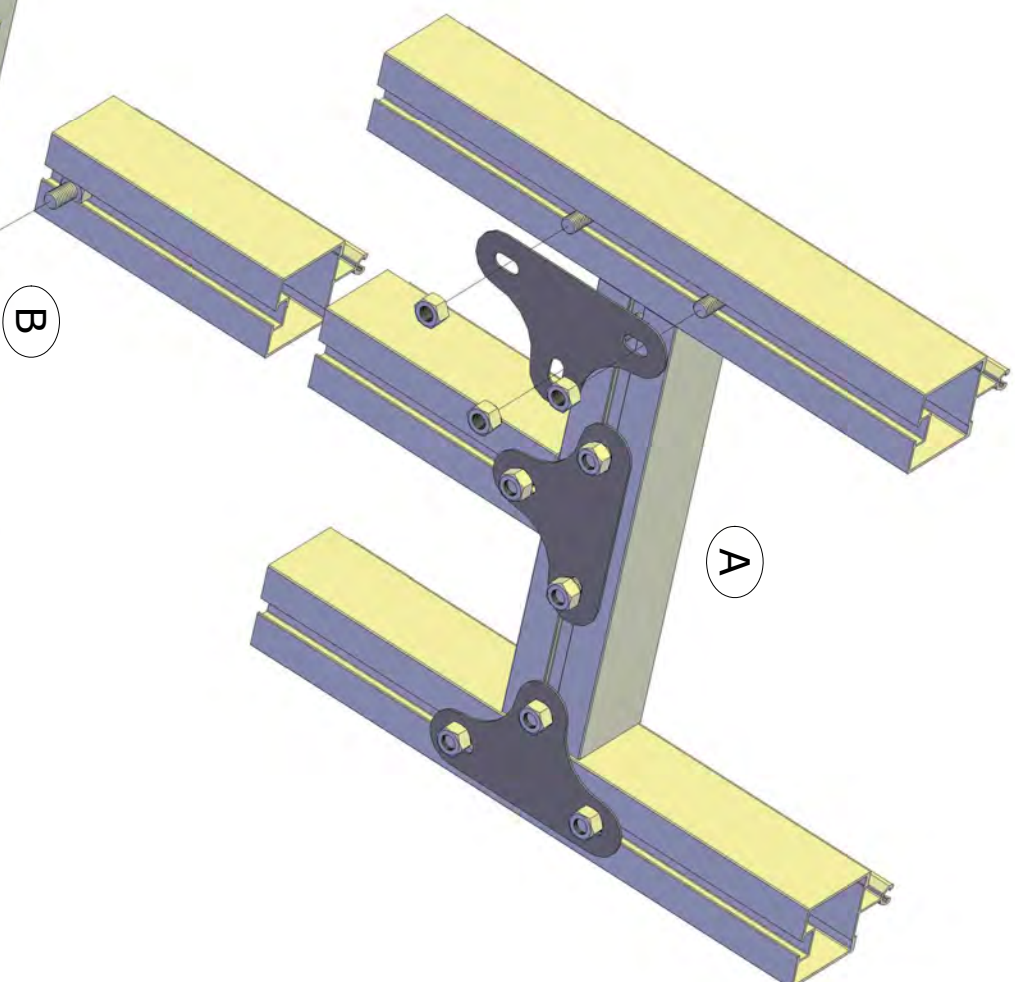
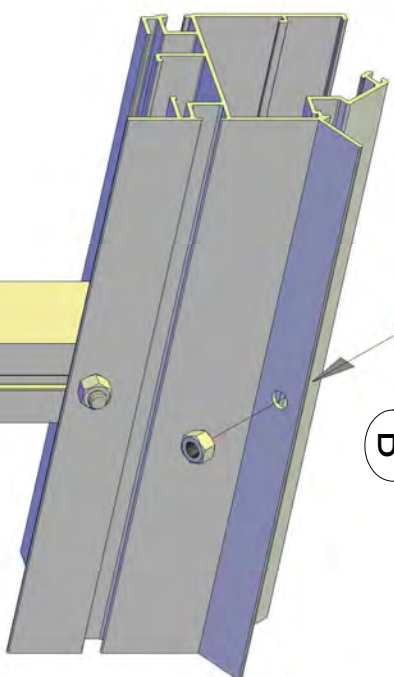
ITEM	P.C.	L
 PR01456	9 P.C.	1.830 MM
 M6X12	18+12 P.C.	
 M6X25	20 P.C.	



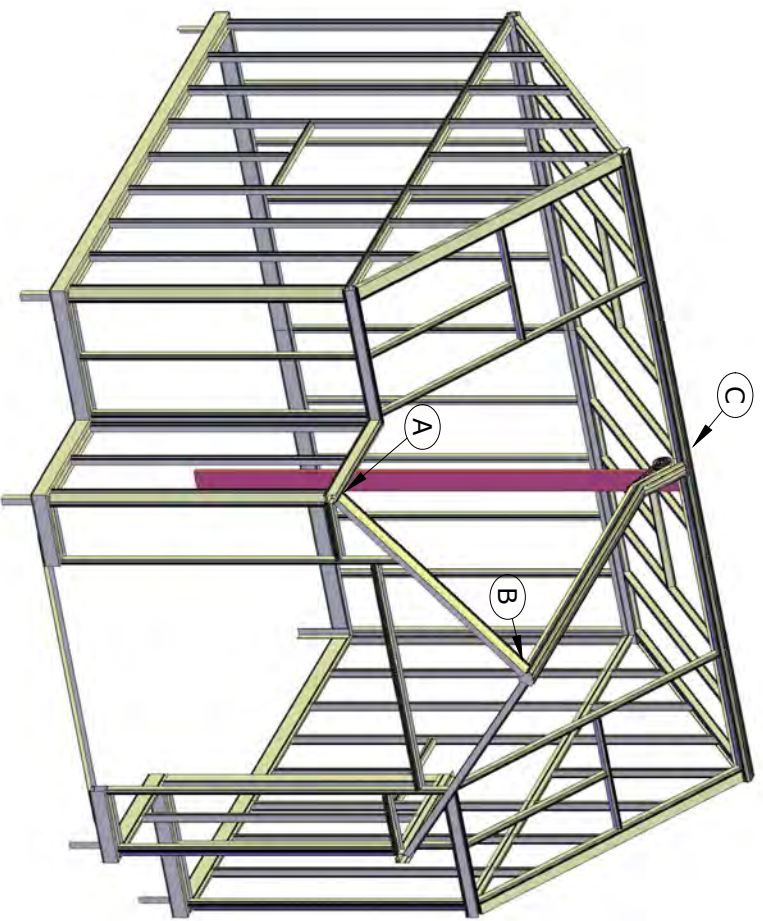
ROYAL-T 10



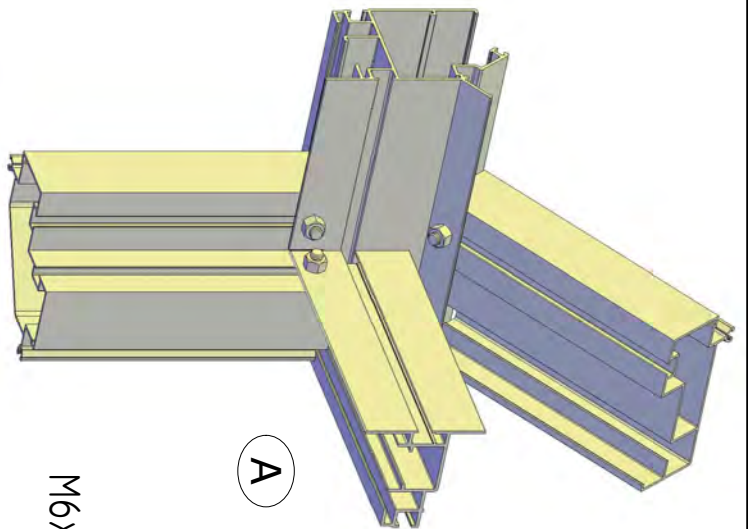
ITEM	P.C.	L
PR01456	4 P.C.	1.005 MM
PR01456	4 P.C.	703 MM
M6X12	24 P.C.	



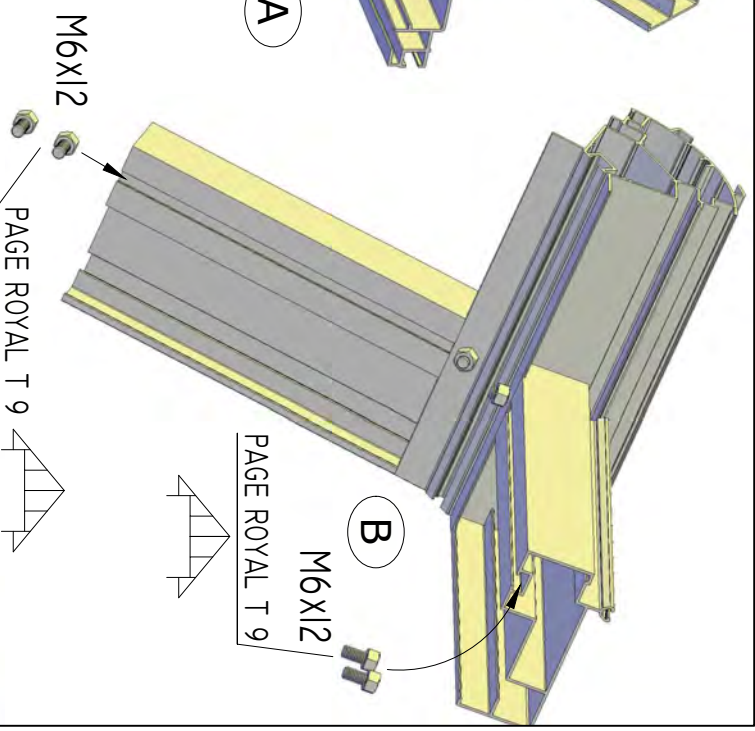
ROYAL-T 11



Insert bolts to connect short uprights to the PR06918. You will need as many bolts as you have short uprights.



A



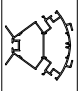
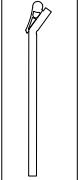

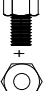
B

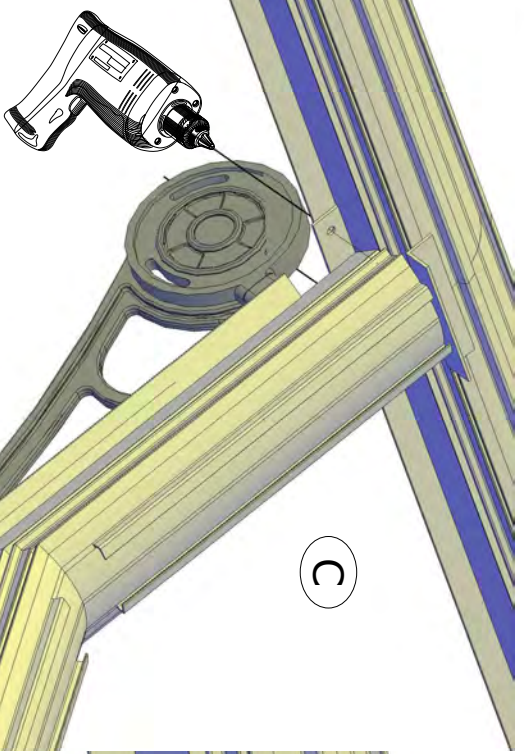
M6X12

PAGE ROYAL T 9

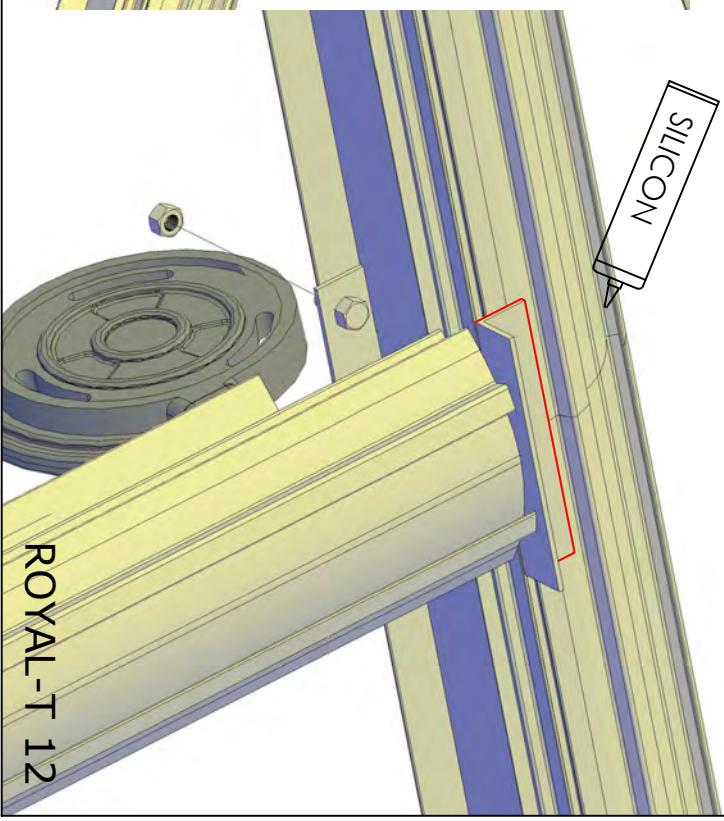
PAGE ROYAL T 9

SILICON

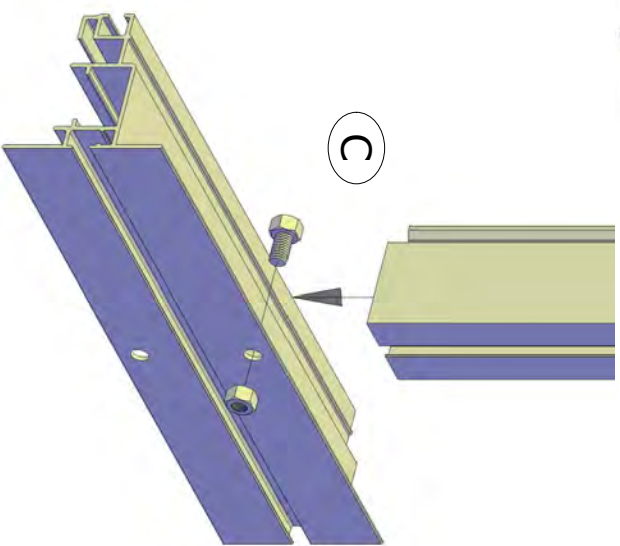
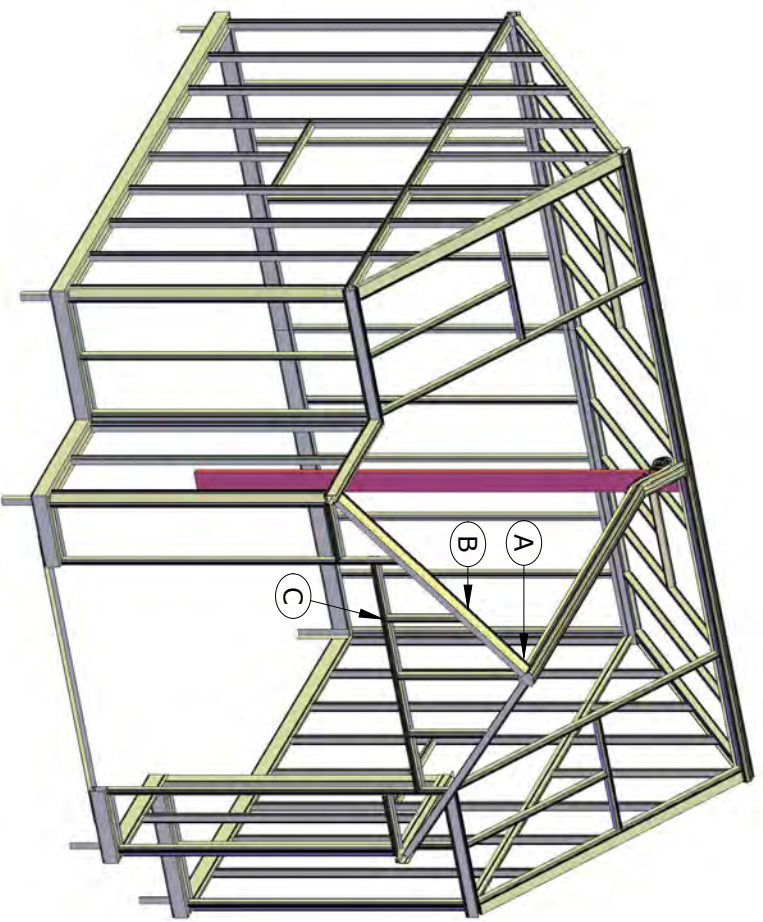
ITEM	PC.	L
 PR040091*	1 PC.	
 PR06918	2 PC.	1,430 MM
 M6X12	6+4 PC.	



C

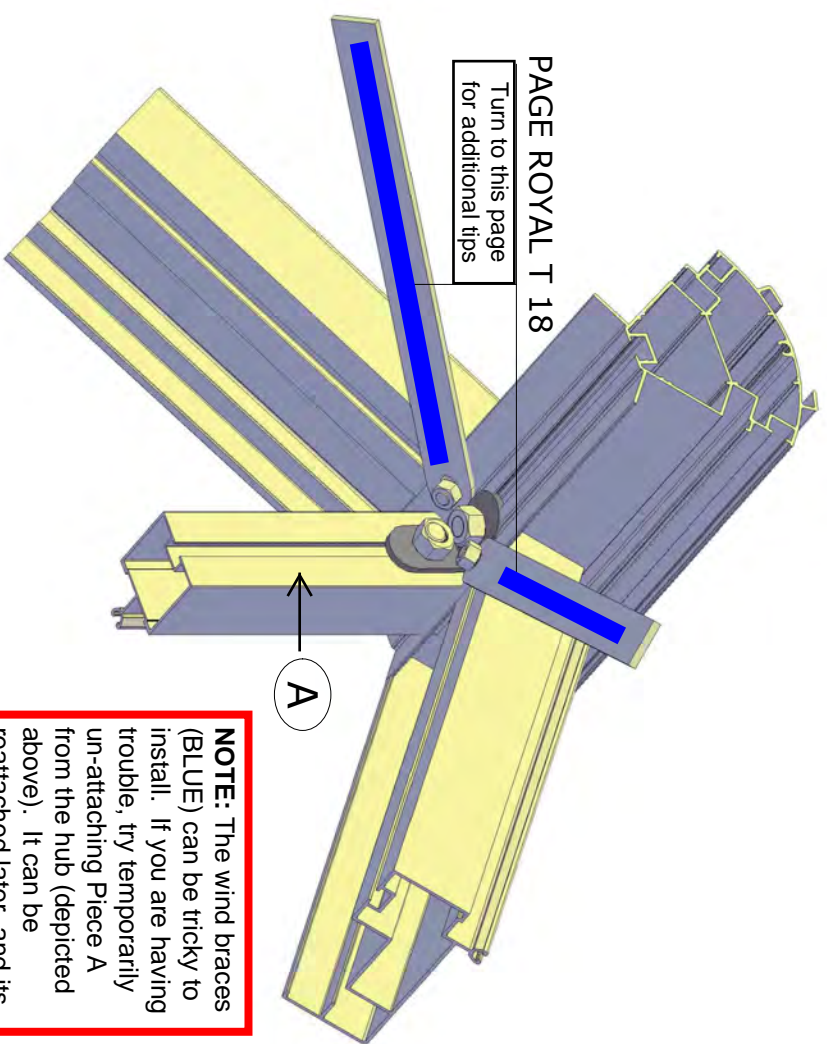


ROYAL-T 12

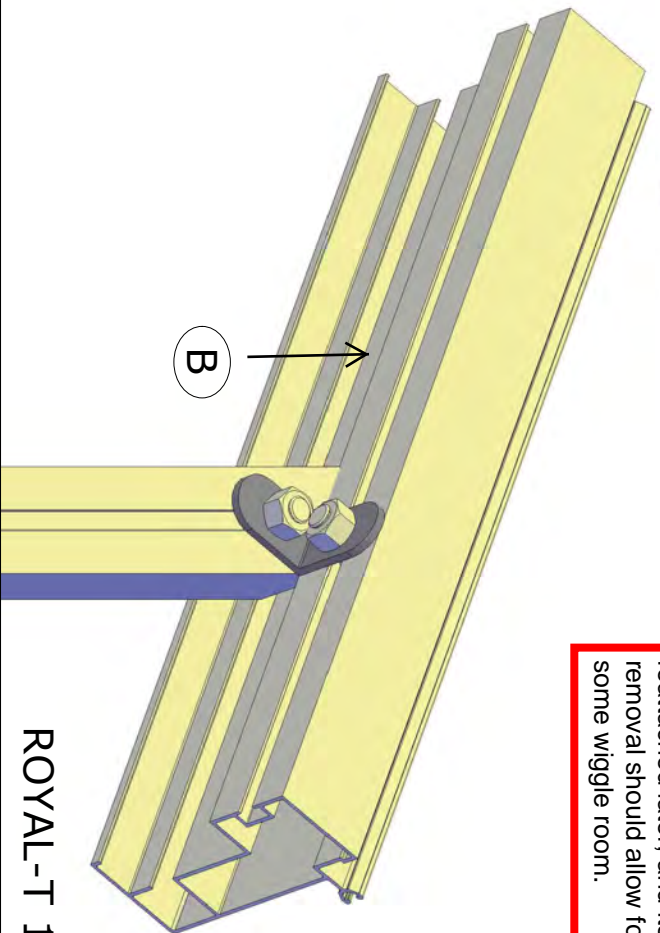


ITEM	PC.	L
PR01456	1 PC.	718 MM
PR01456	2 PC.	472 MM
M6X15	7 PC.	
LG	5 PC.	

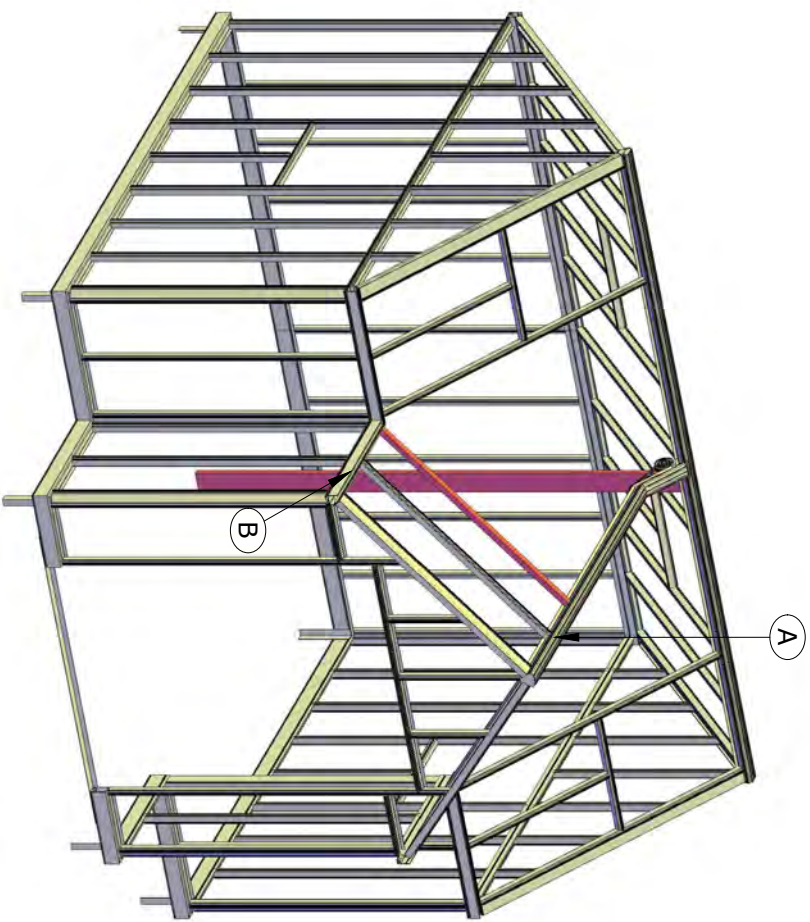
PAGE ROYAL T 18
Turn to this page for additional tips



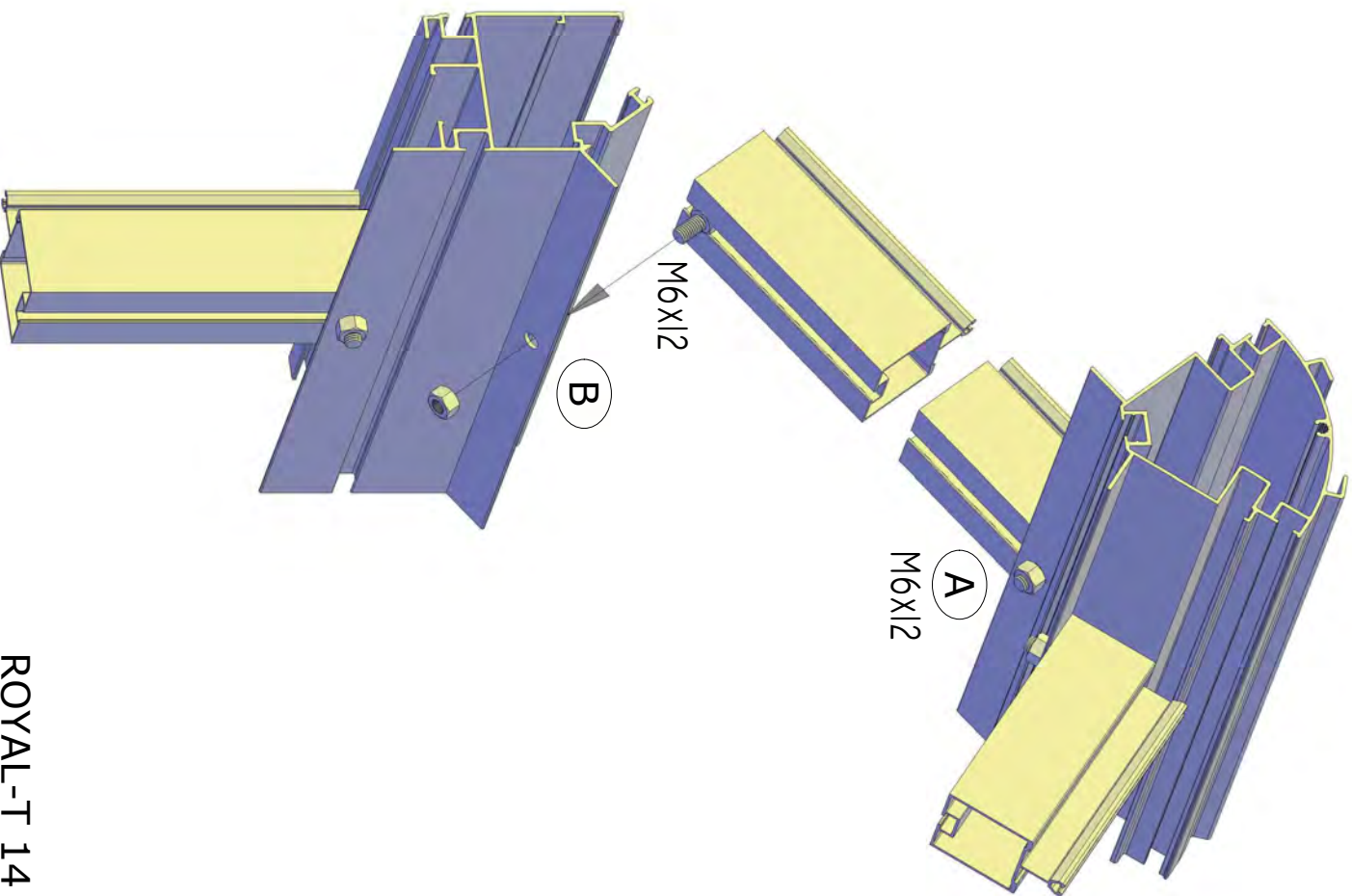
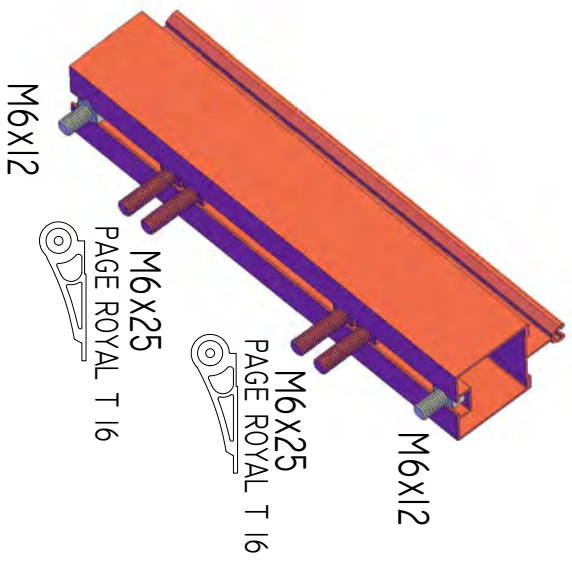
NOTE: The wind braces (BLUE) can be tricky to install. If you are having trouble, try temporarily un-attaching Piece A from the hub (depicted above). It can be reattached later, and its removal should allow for some wiggle room.



ROYAL-T 13



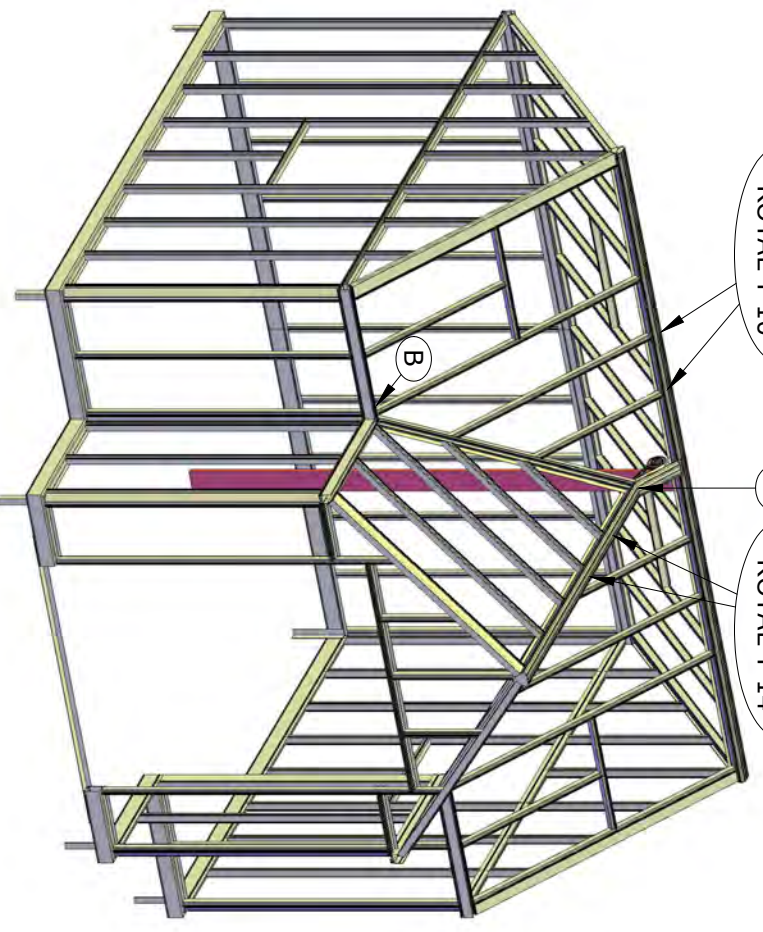
ITEM	PC.	L
PR01456	4 PC.	1.430 MM
M6X12	8 PC.	
M6X25	8 PC.	


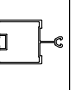
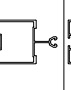
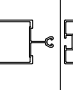
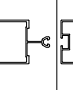
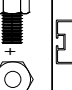


ROYAL-T 14

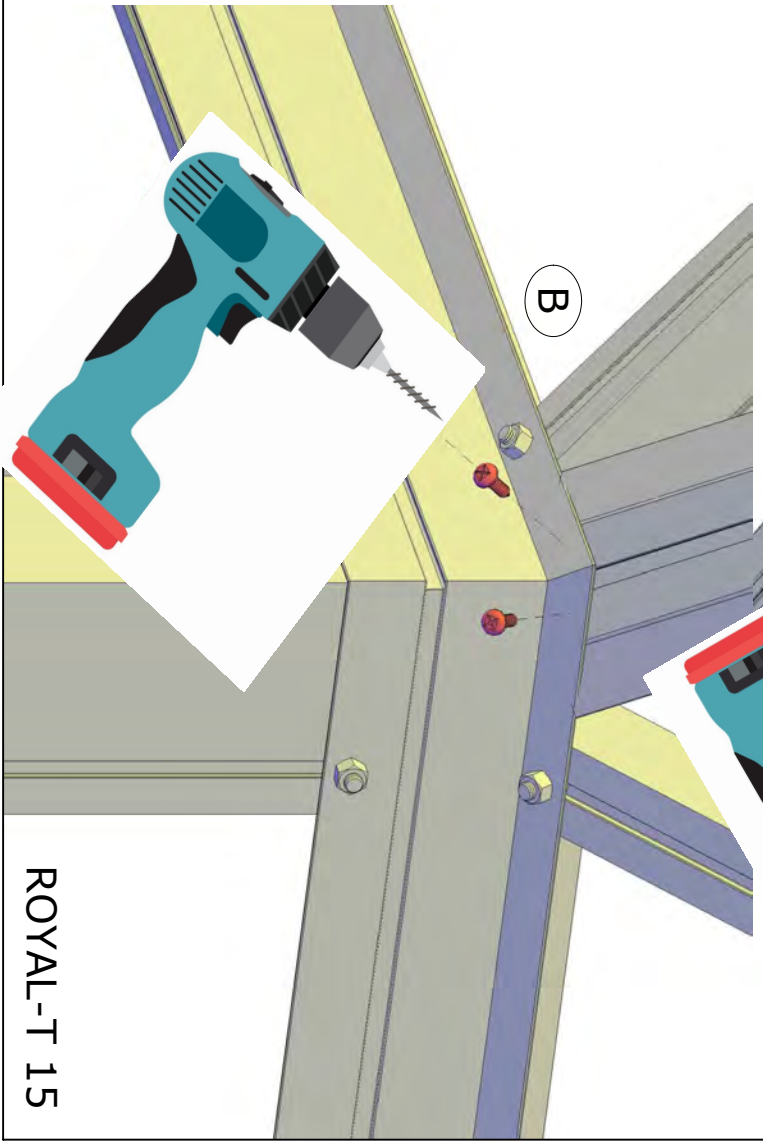
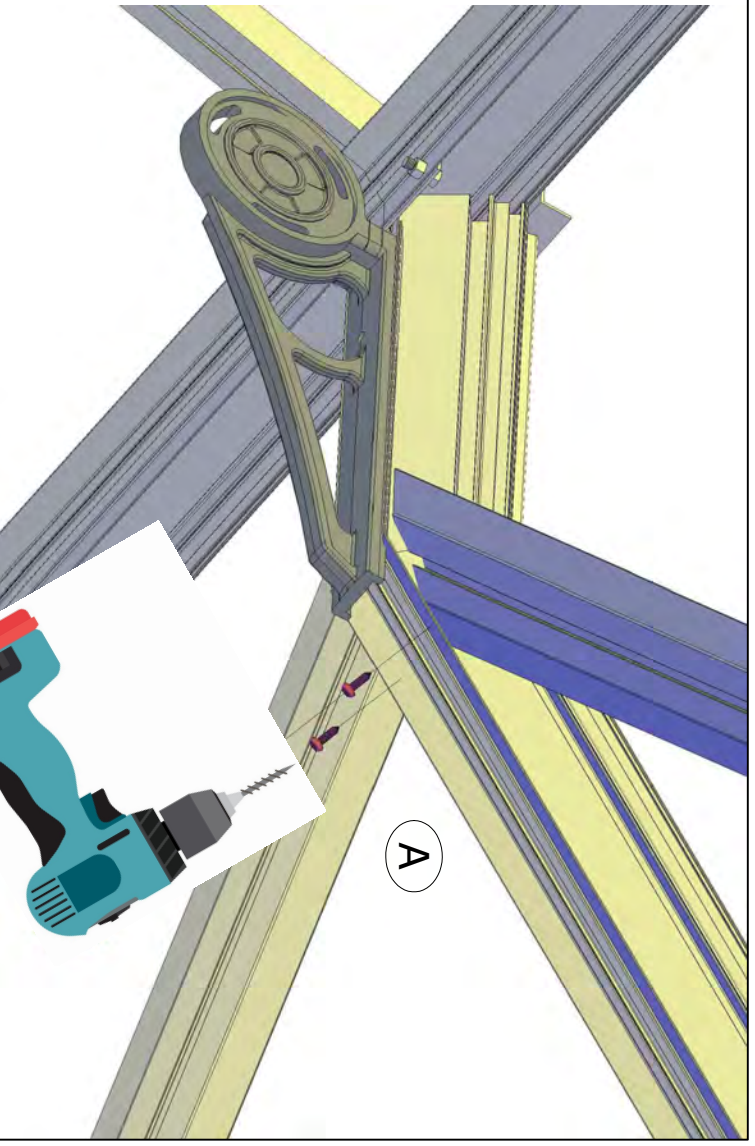
= PAGE ROYAL T 10

= PAGE ROYAL T 14


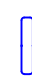


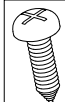


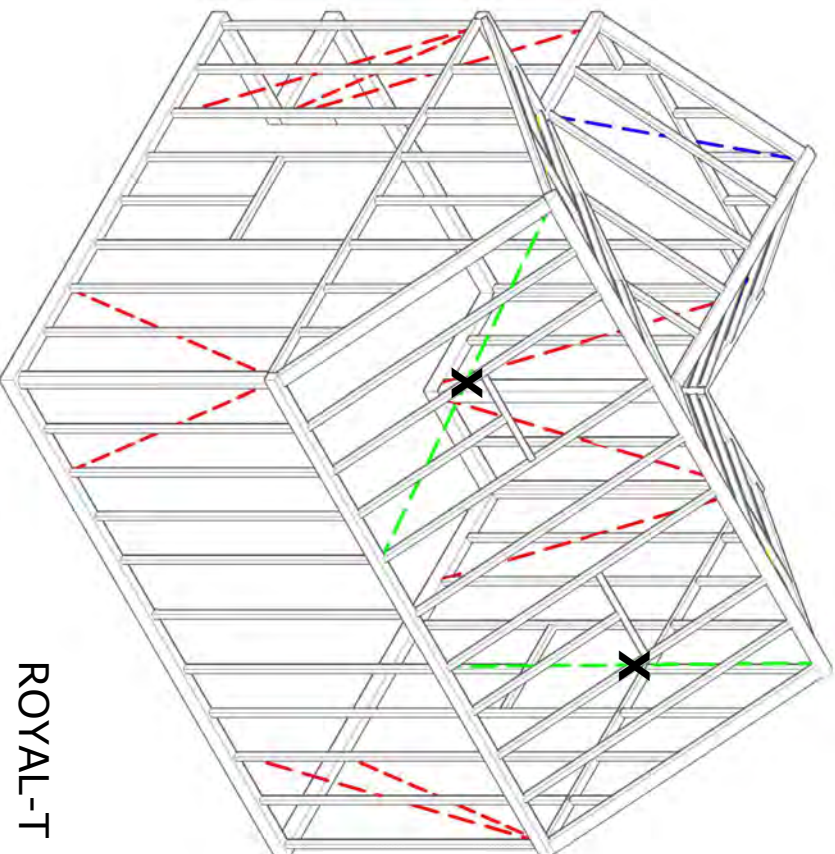
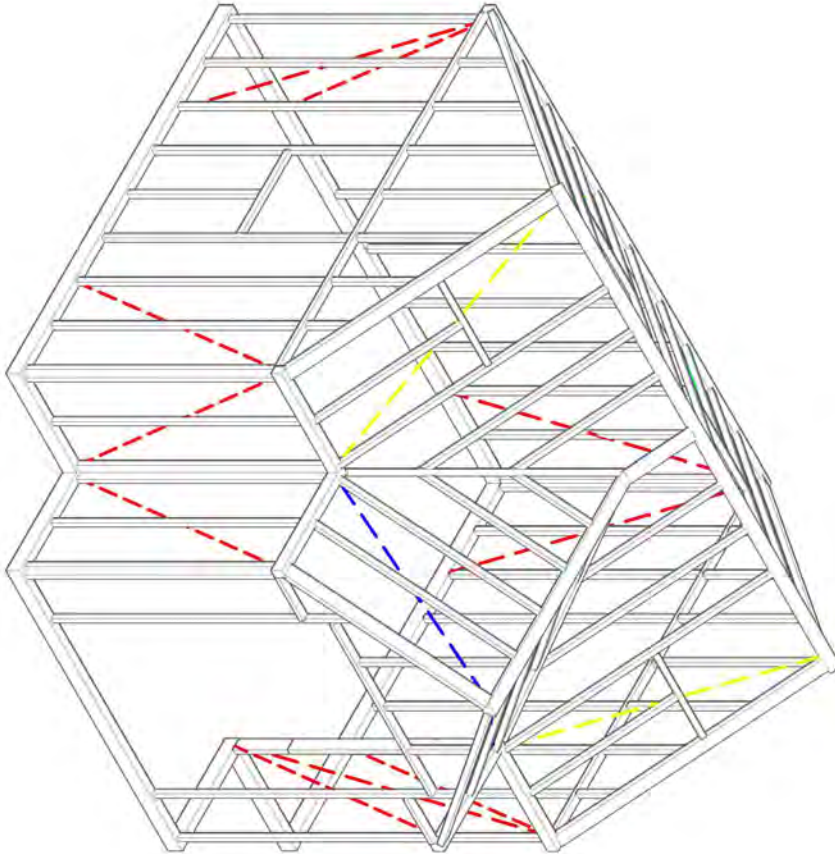
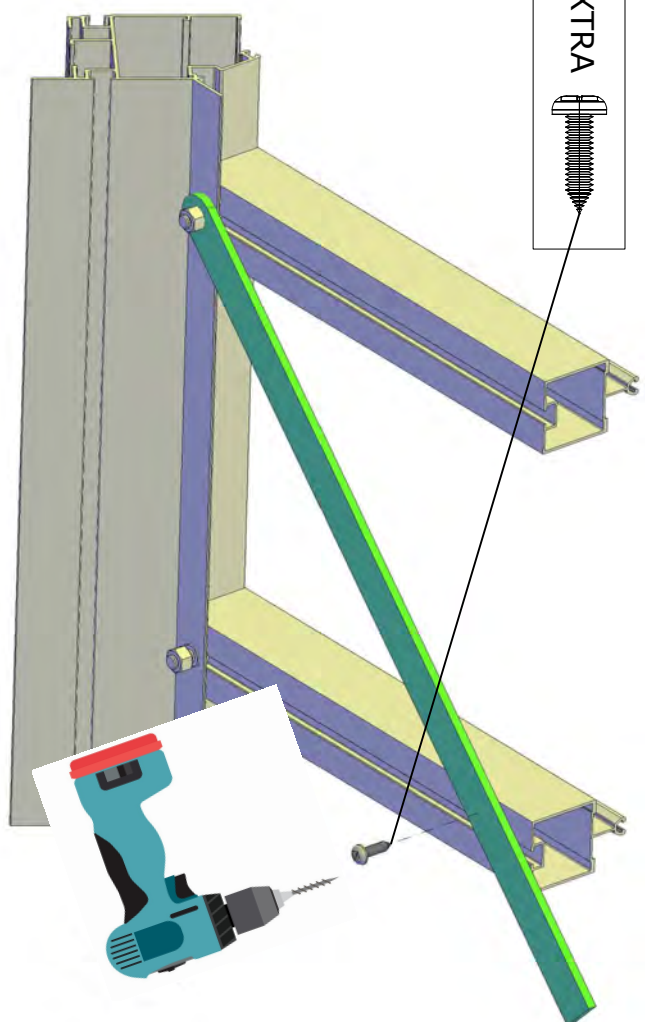
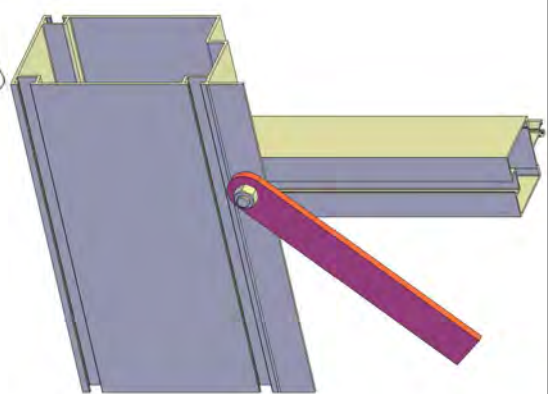
ITEM	PC.	L
 PR014942	2 PC.	1.942 MM
 PR01456	2 PC.	1.408 MM
 PR01456	2 PC.	1.075 MM
 PR01456	2 PC.	900 MM
 M6X12	16 PC.	
	4 PC.	

Installing Triangular Glass:
 Start from the top and add framing as you work towards the lower most piece.
 Leave hardware loose until all triangular glass is in.

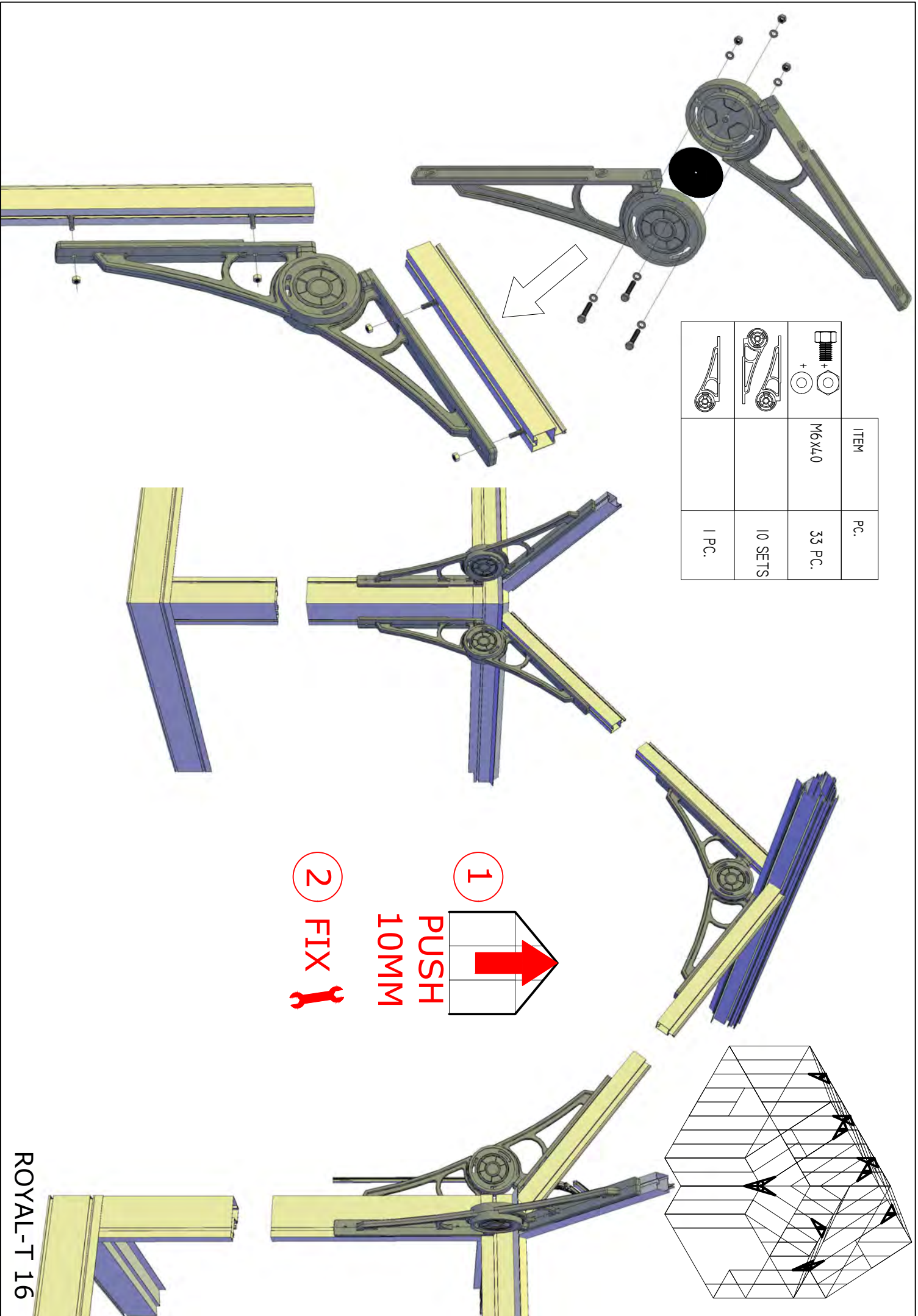




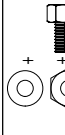

X = EXTRA FIXING / EXTRA BEFESTIGUNG / ATTACH EXTRA



ITEM	PC.	L
 TRE	10 PC.	1.795 MM
 TRE	2 PC.	1.611 MM
 TRE	2 PC.	2.356 MM
 TRE	2 PC.	1.975 MM
	2 PC.	



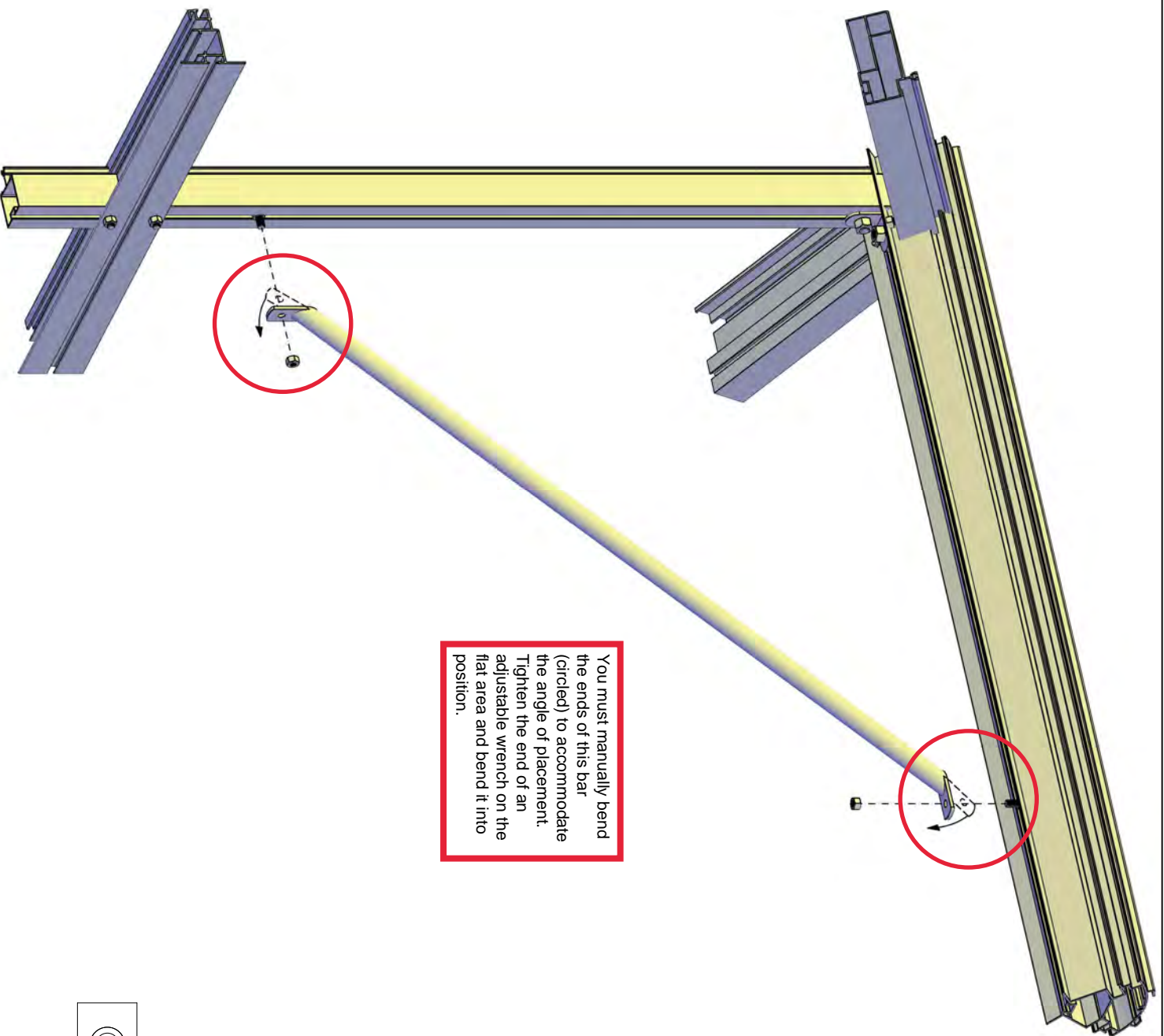
ROYAL-T 18



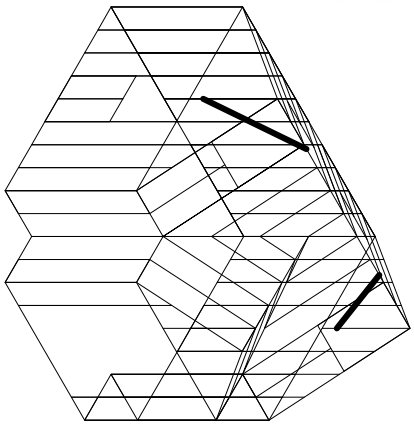
ITEM	PC.
	1 PC.
	10 SETS
 + 	33 PC.
M6x4,0	


1  PUSH 10MM
 2  FIX

ROYAL-T 16



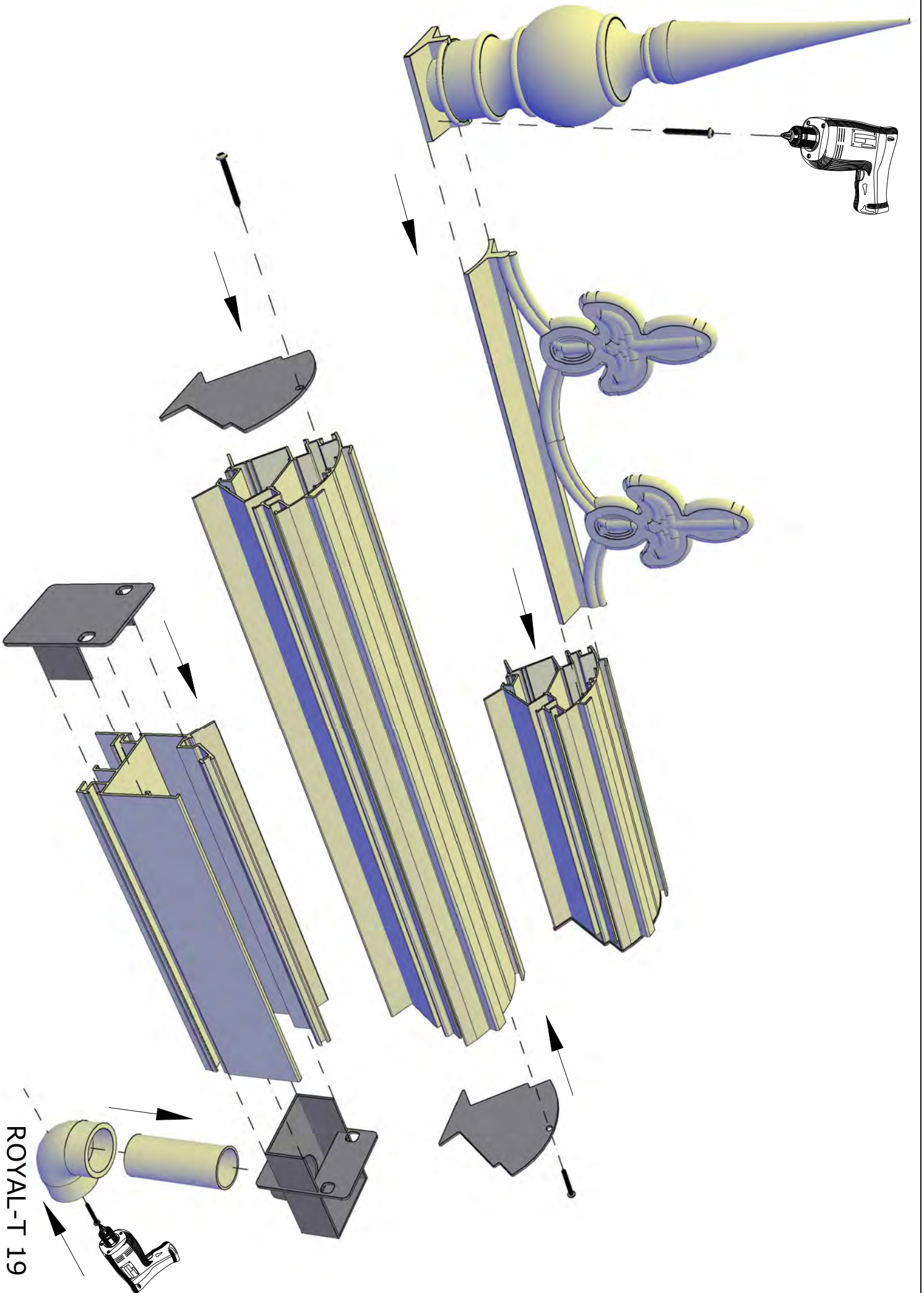
You must manually bend the ends of this bar (circled) to accommodate the angle of placement. Tighten the end of an adjustable wrench on the flat area and bend it into position.



	ITEM	PC.	L
Ø 19MM		2 PC.	1.030 MM

ROYAL-T 17

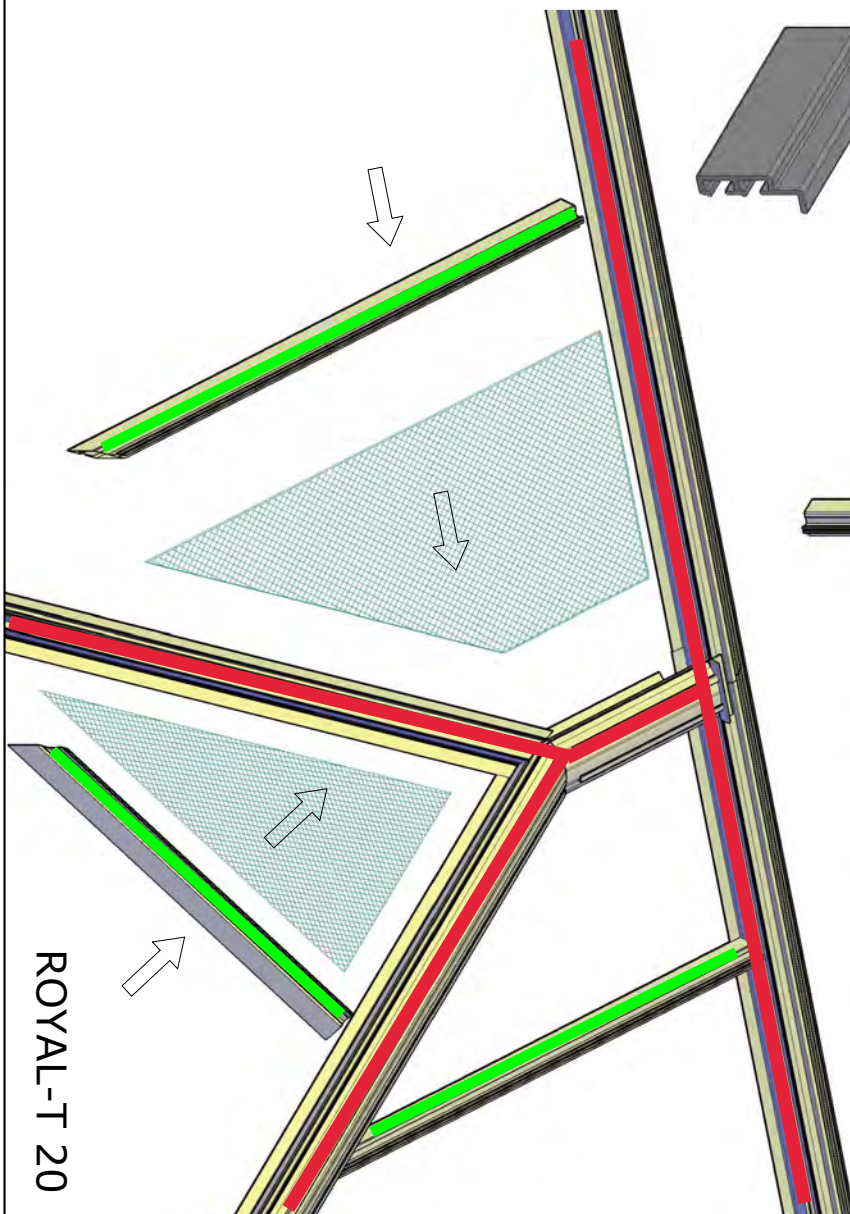
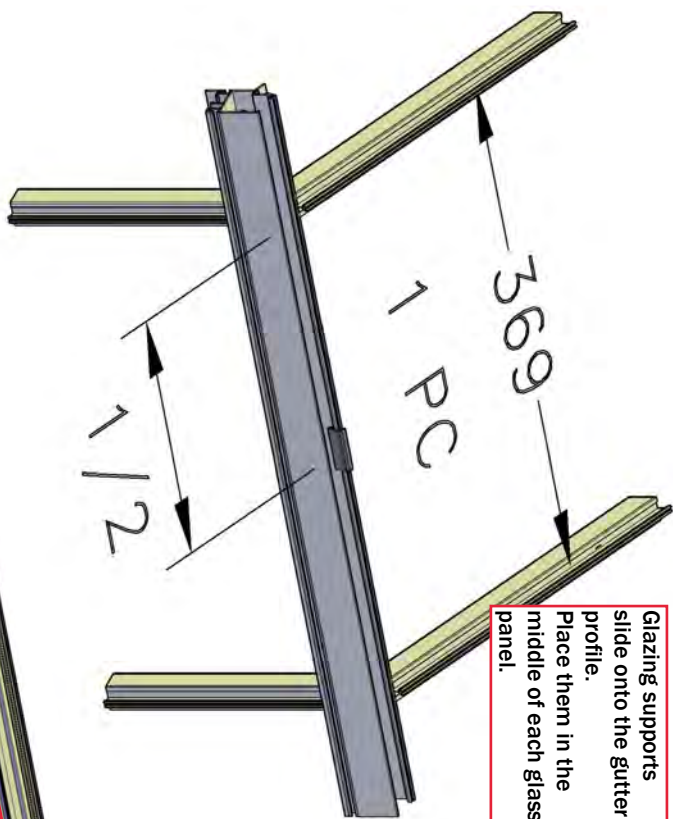
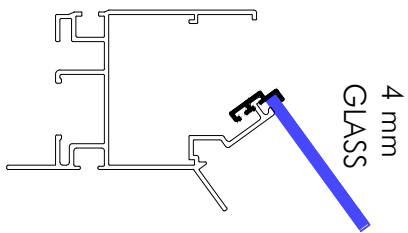
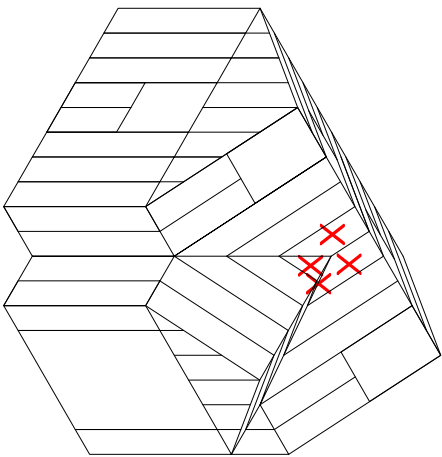
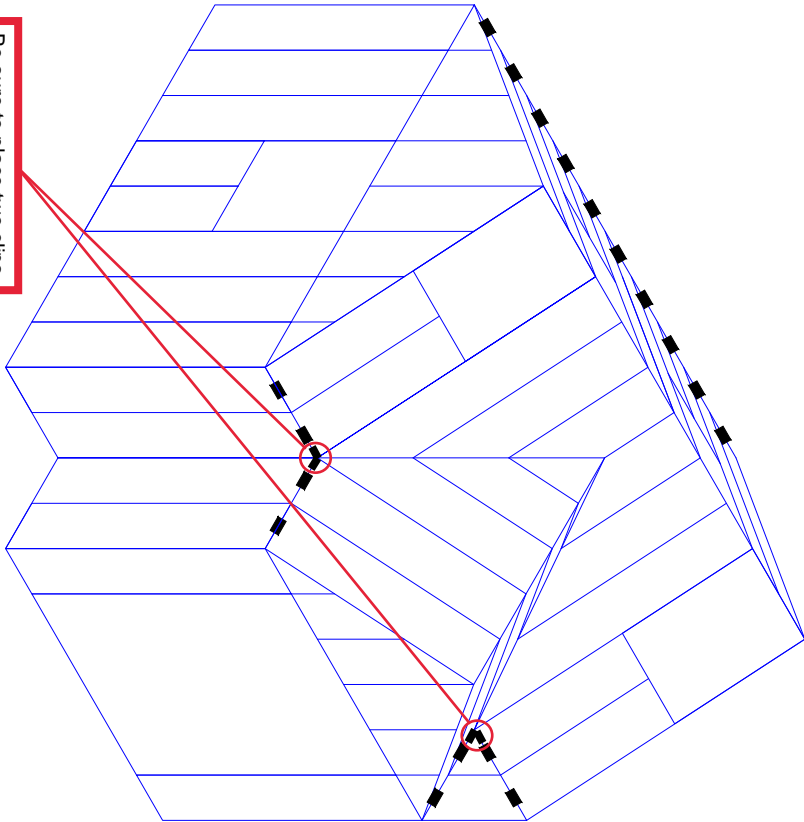
ROYAL-T 19



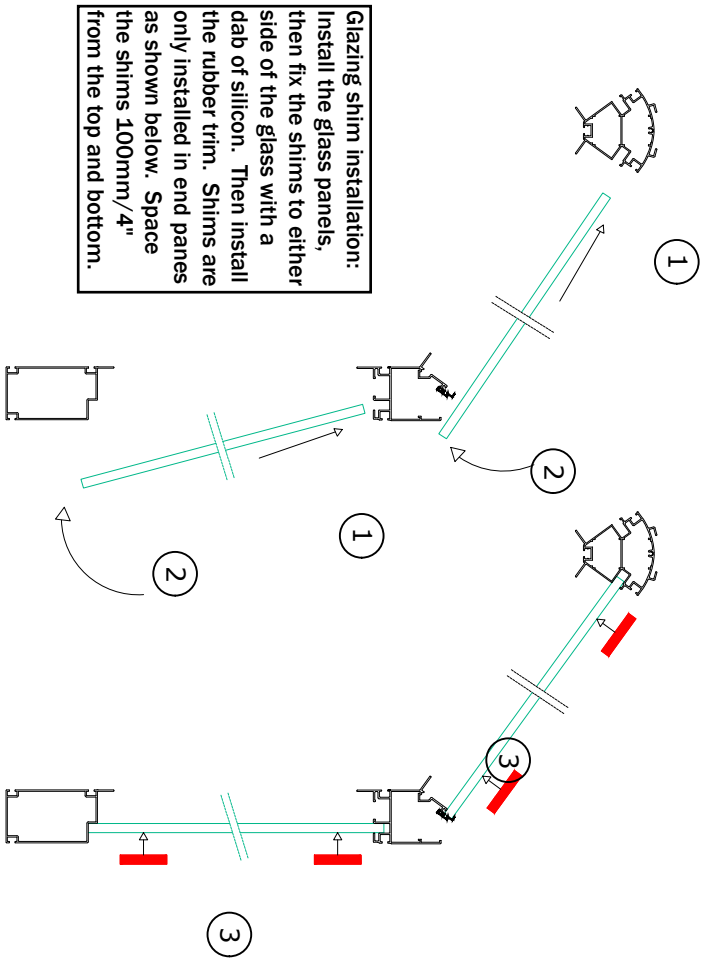
These illustrations outline the steps for installing certain roof glass pieces (marked by red X's in the diagram to the right).

- 1) Locate the portion of the frame indicated in the diagram (RED lines)
- 2) Carefully slide the glass pieces into place
- 3) Fit the frame pieces (GREEN lines) so that each glass pane is held in place from all sides

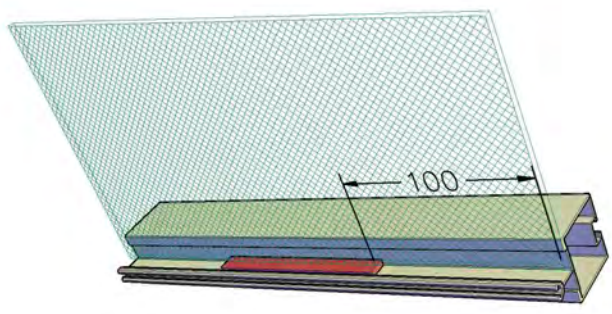
Be sure to place two clips to reinforce each of the interior corners and prevent glass from sliding



ROYAL-T 20



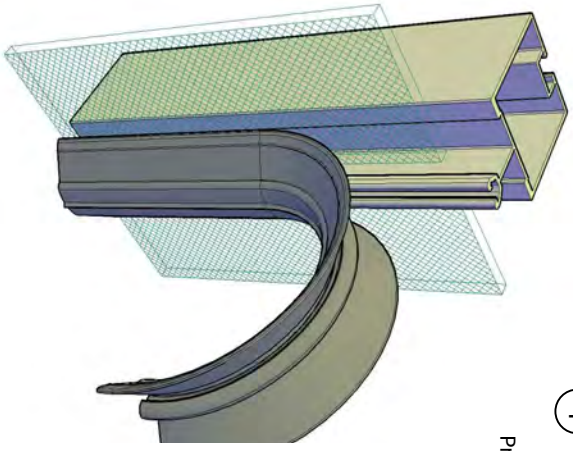
Glazing shim installation:
 Install the glass panels, then fix the shims to either side of the glass with a dab of silicon. Then install the rubber trim. Shims are only installed in end panes as shown below. Space the shims 100mm/4" from the top and bottom.



3

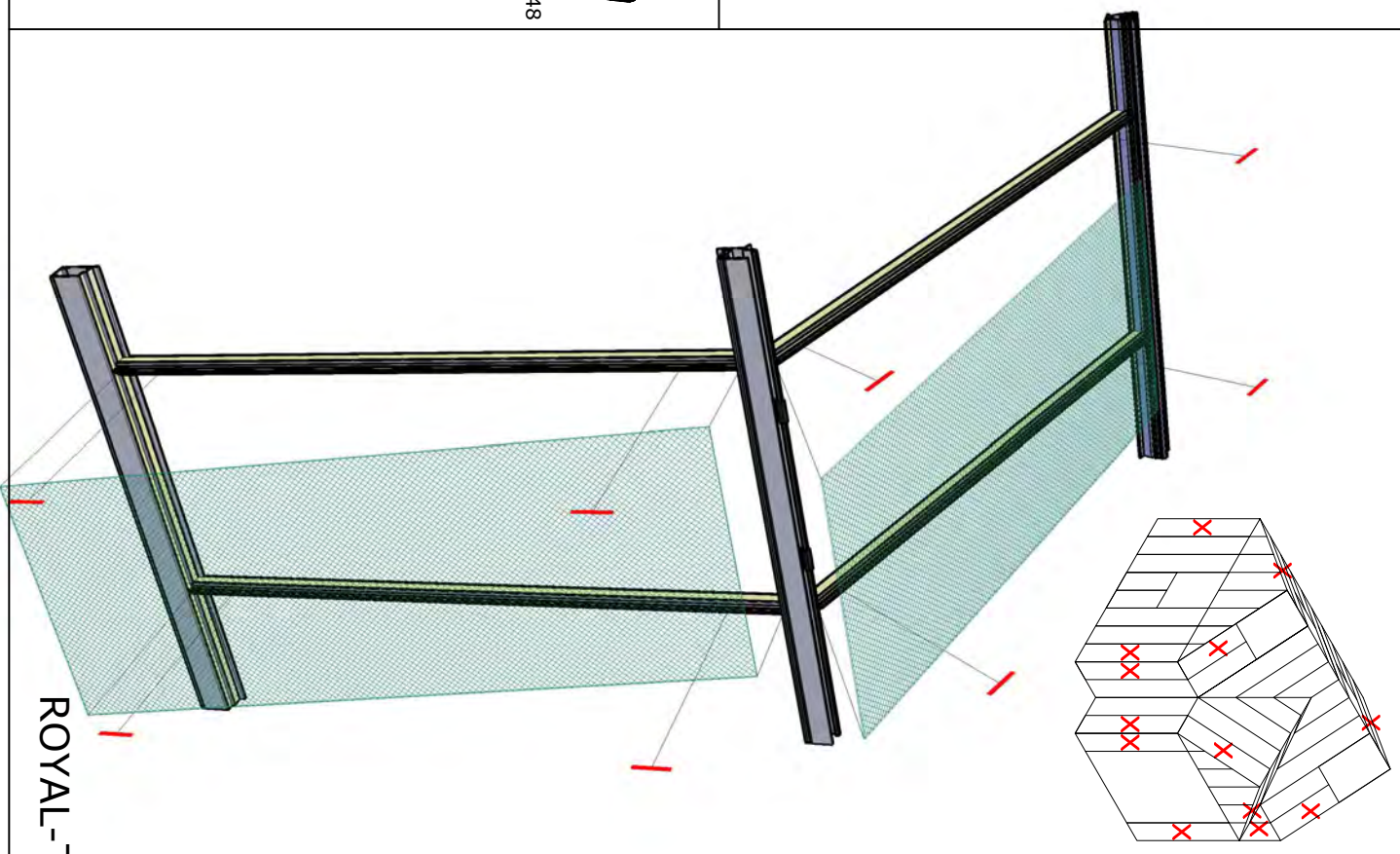
SILICON

To install gasket, roll it back on itself as shown. The inner rib is pushed into the channel. If cold place rubber in the sun. It will be easier to insert when warm and pliable.

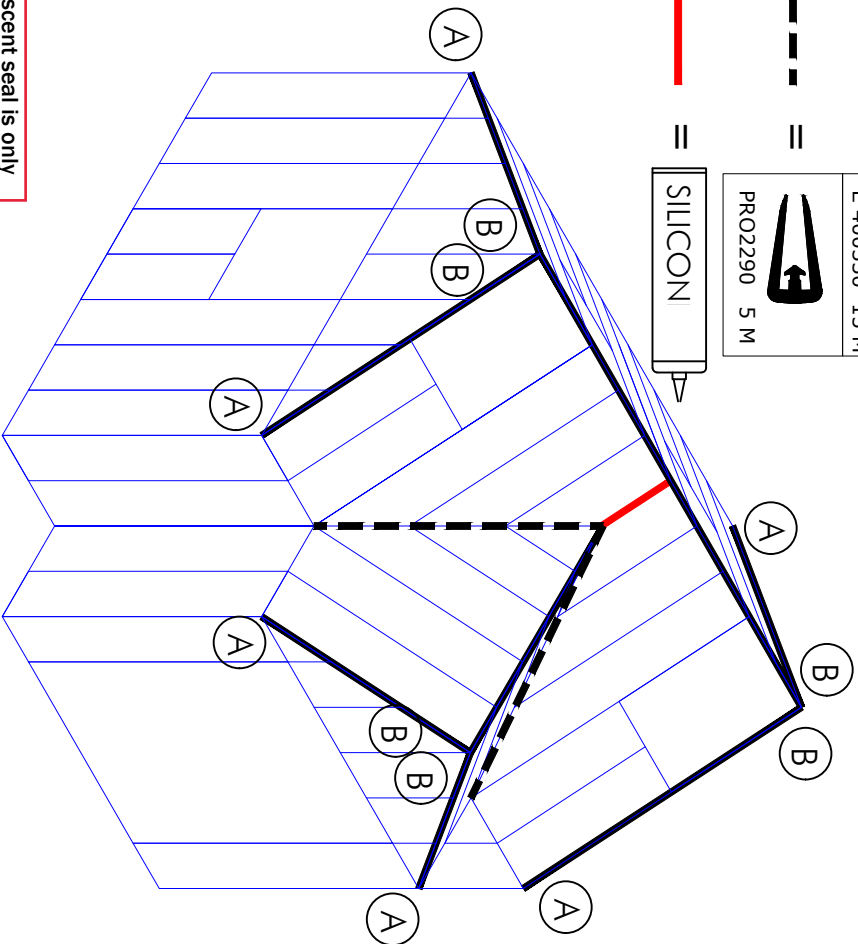
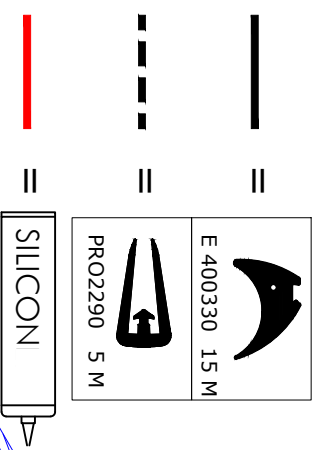


4

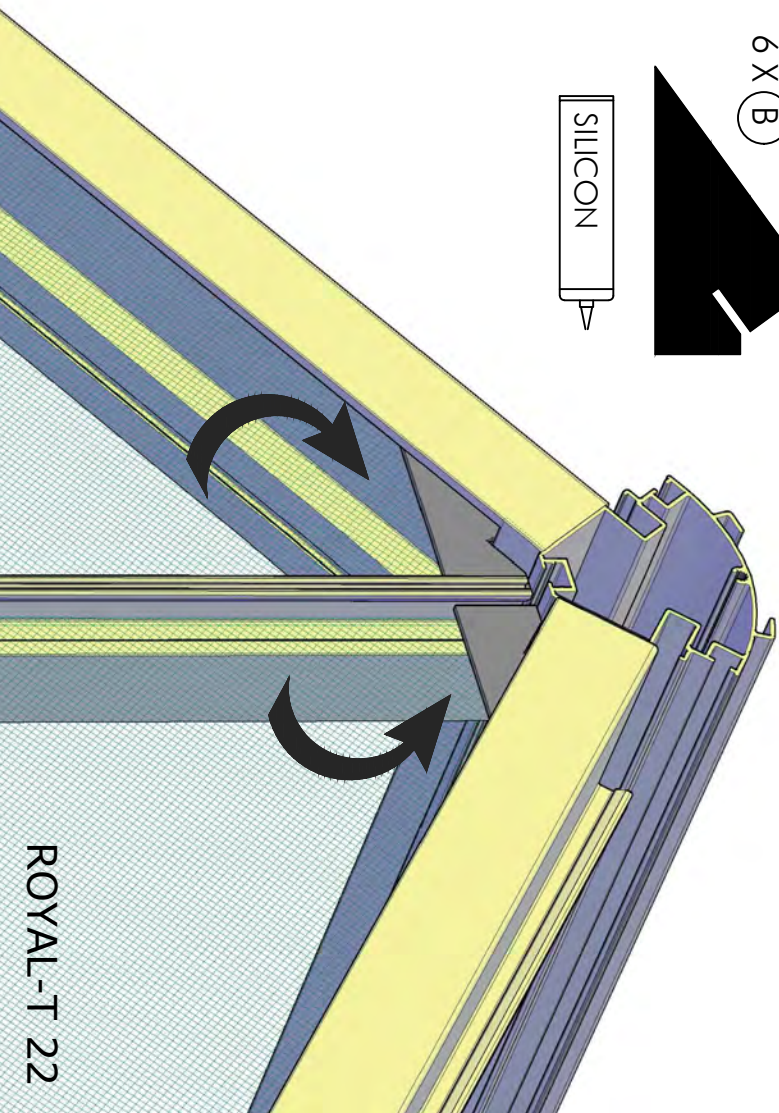
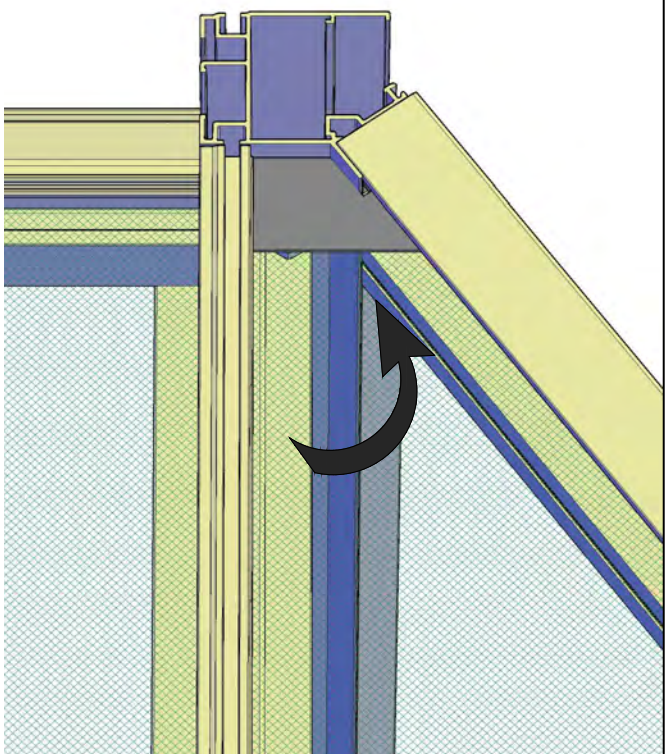
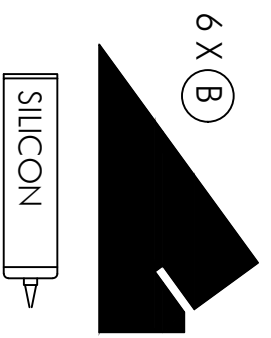
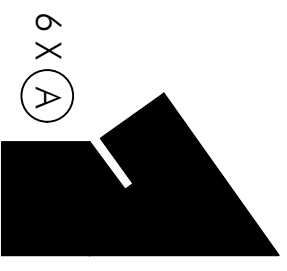
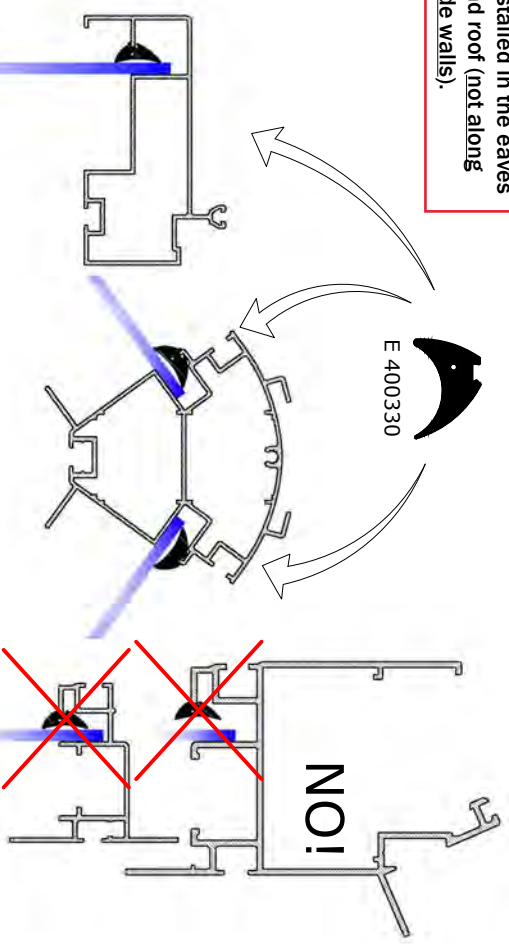
Pro 1748

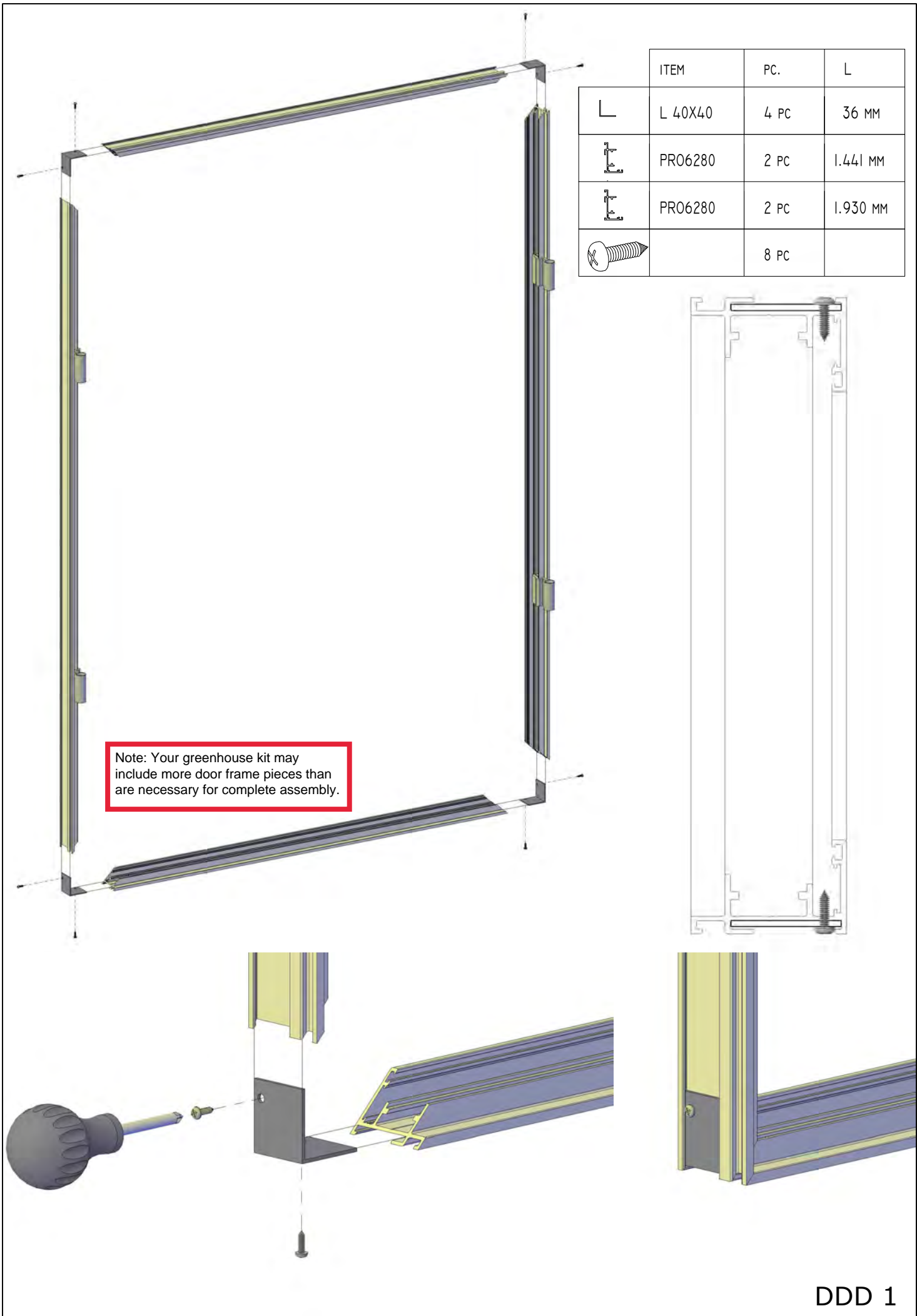





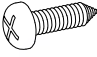
ROYAL-T 21



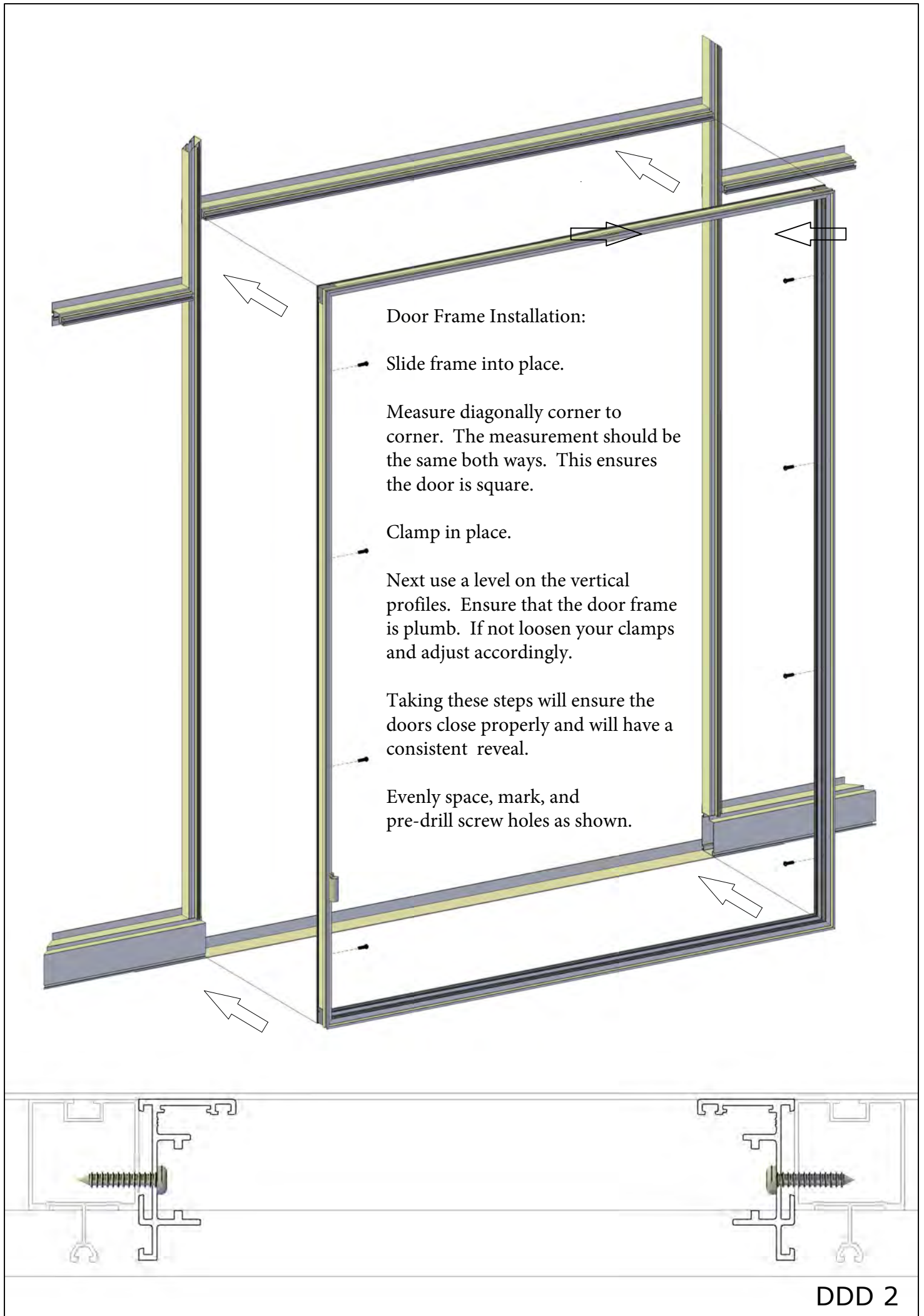
Crescent seal is only installed in the eaves and roof (not along side walls).





	ITEM	PC.	L
	L 40X40	4 PC	36 MM
	PRO6280	2 PC	1.441 MM
	PRO6280	2 PC	1.930 MM
		8 PC	

Note: Your greenhouse kit may include more door frame pieces than are necessary for complete assembly.



Door Frame Installation:

Slide frame into place.

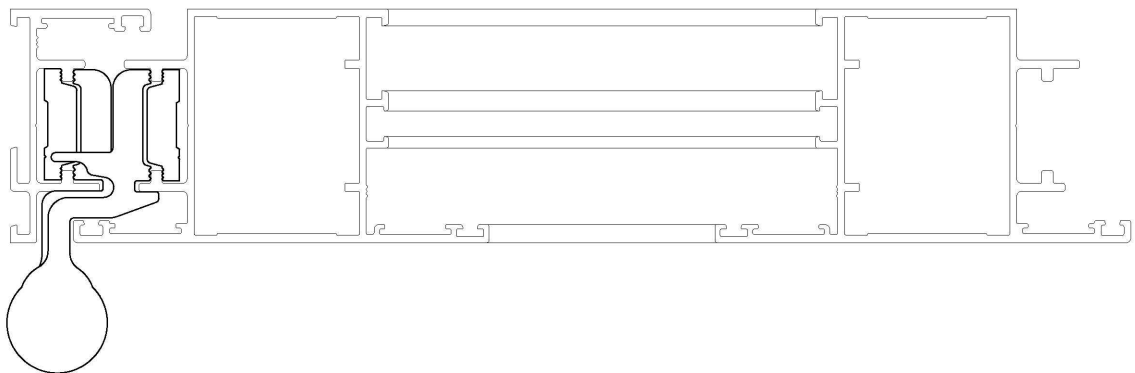
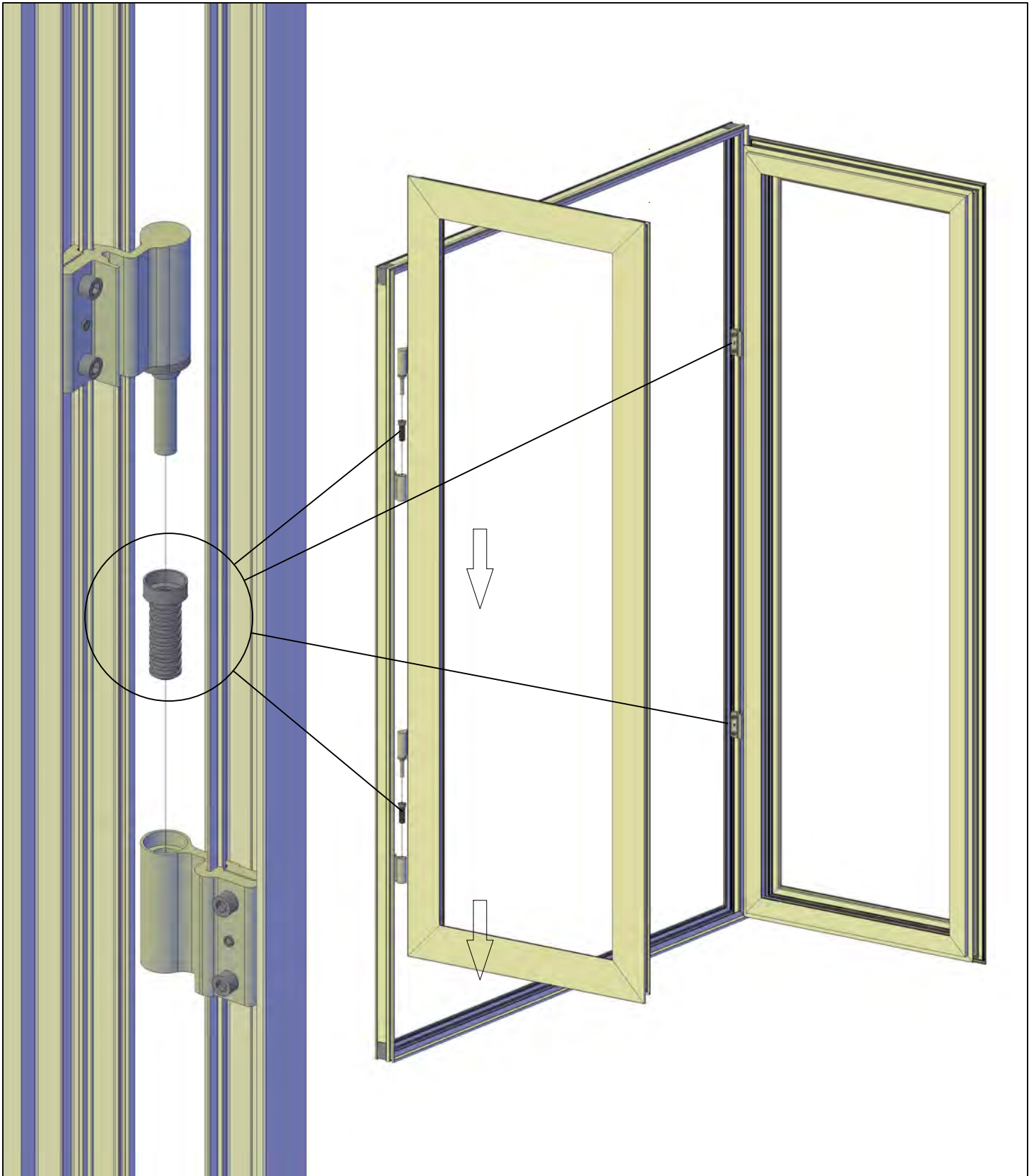
Measure diagonally corner to corner. The measurement should be the same both ways. This ensures the door is square.

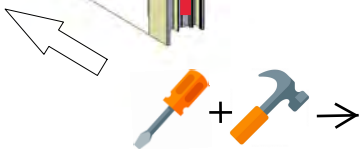
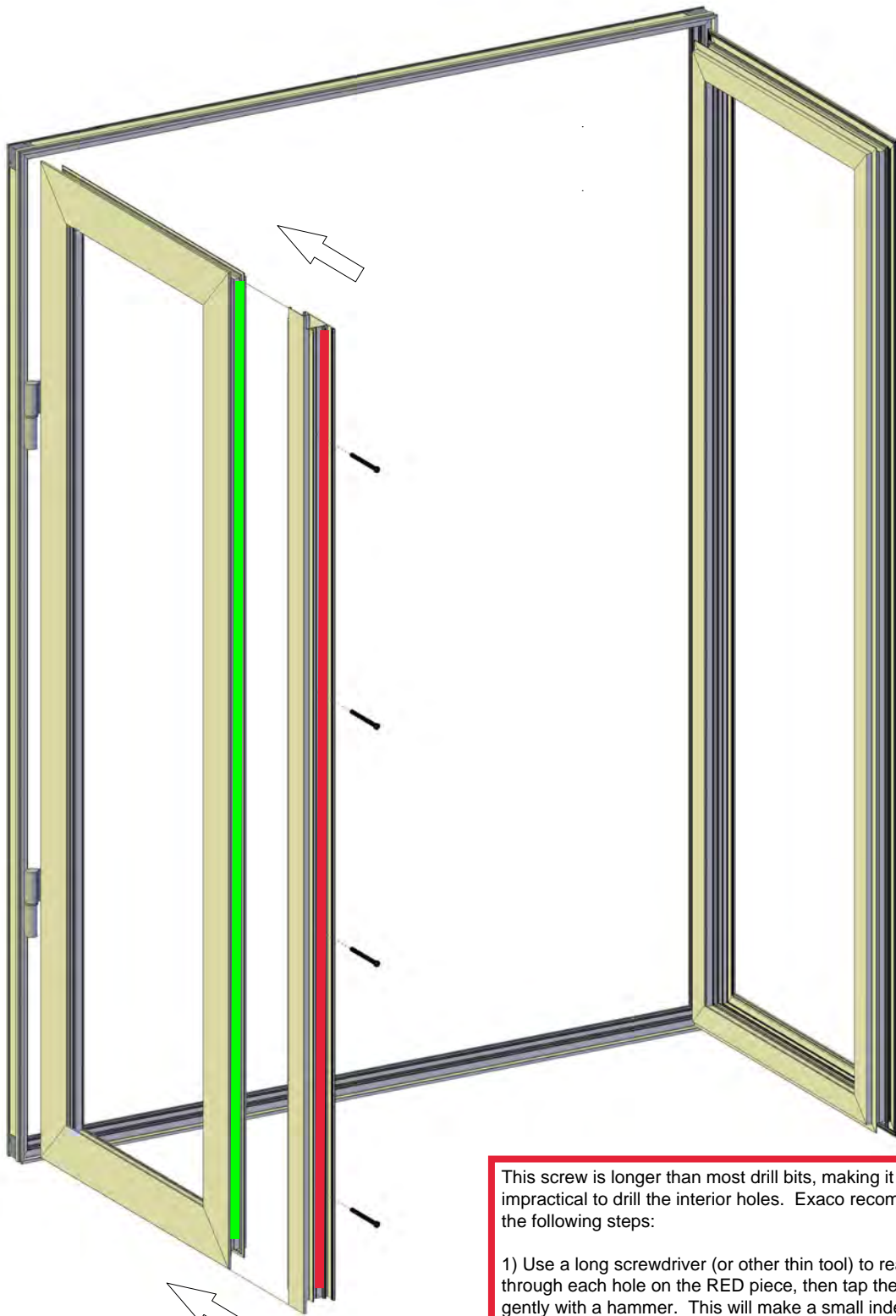
Clamp in place.

Next use a level on the vertical profiles. Ensure that the door frame is plumb. If not loosen your clamps and adjust accordingly.

Taking these steps will ensure the doors close properly and will have a consistent reveal.

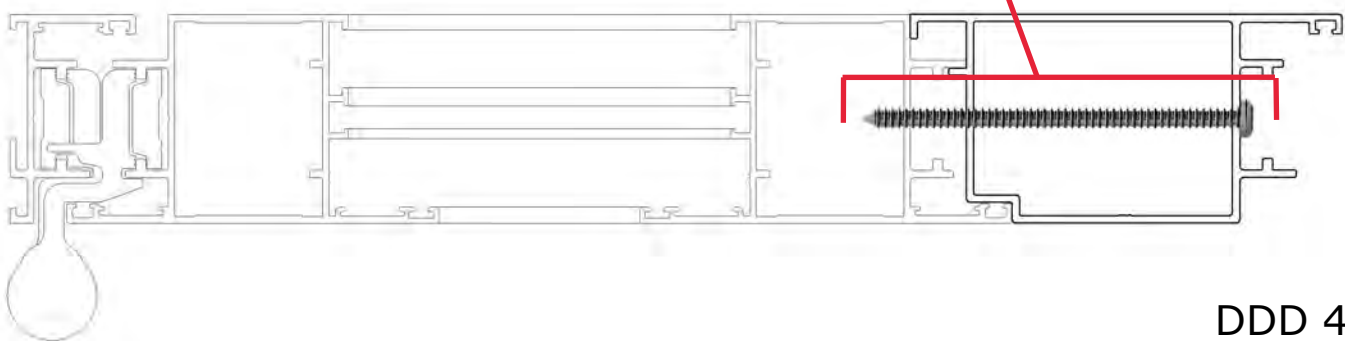
Evenly space, mark, and pre-drill screw holes as shown.

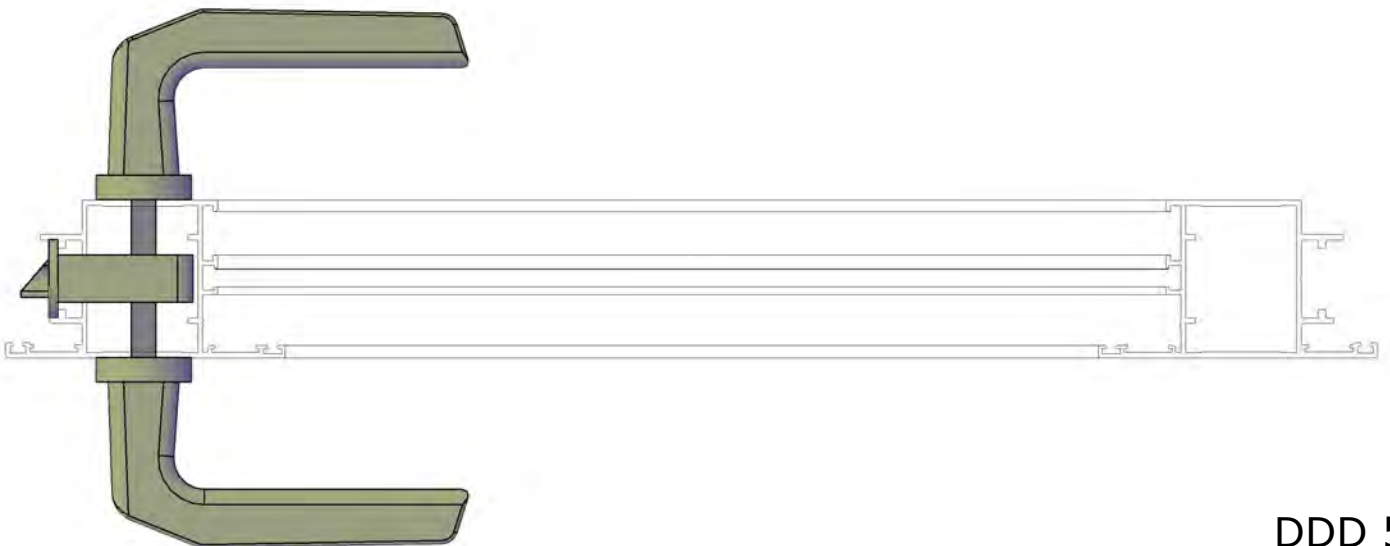
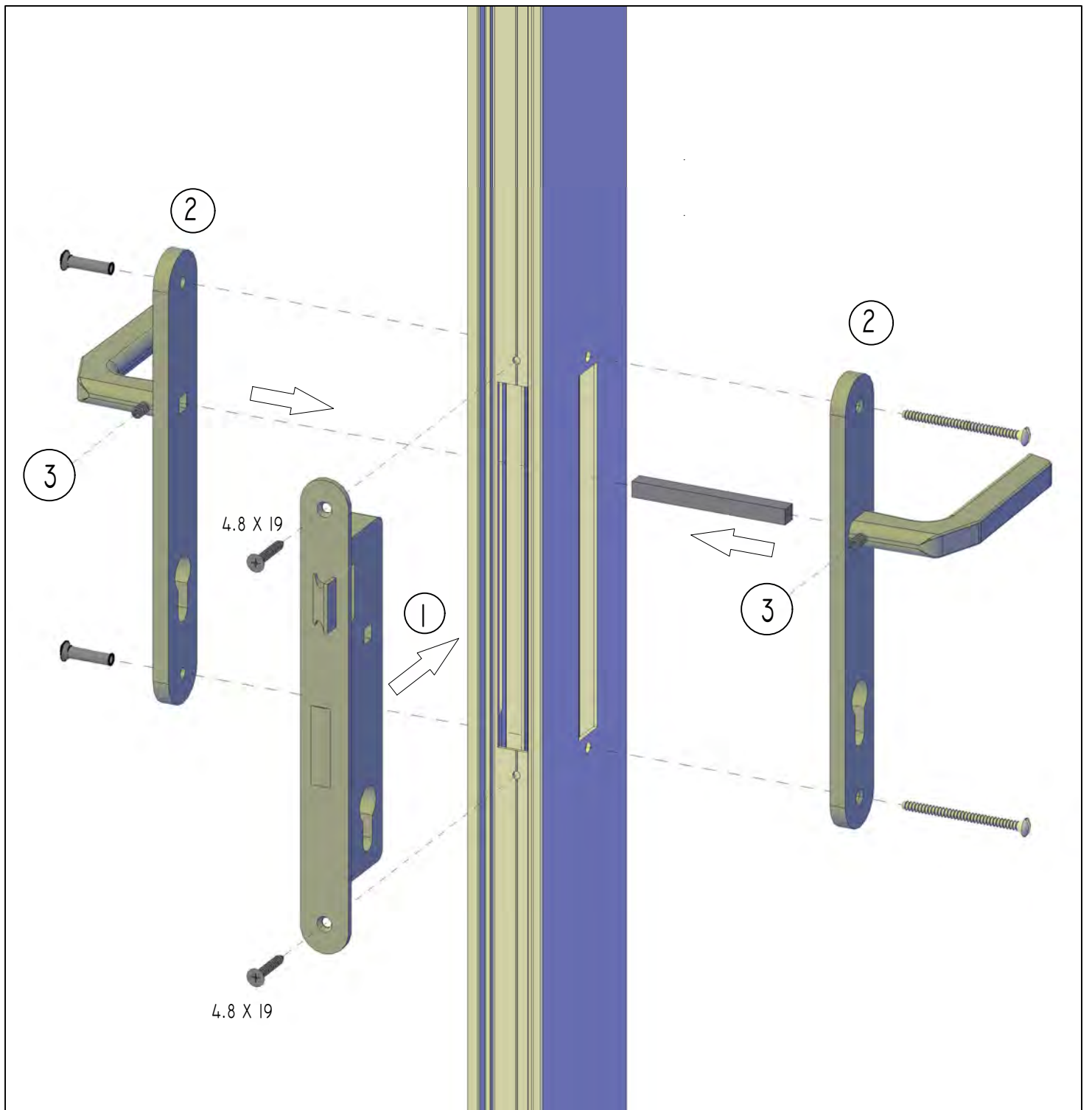


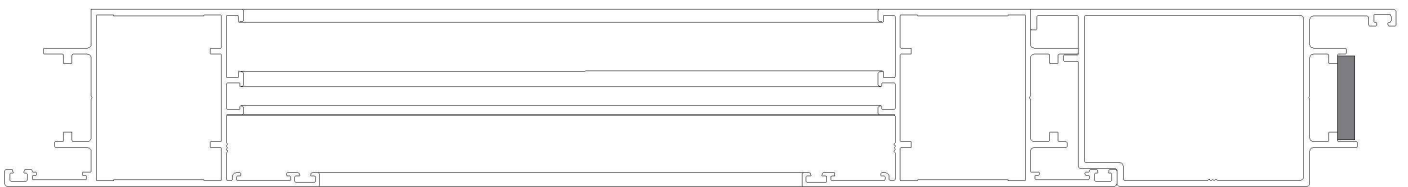
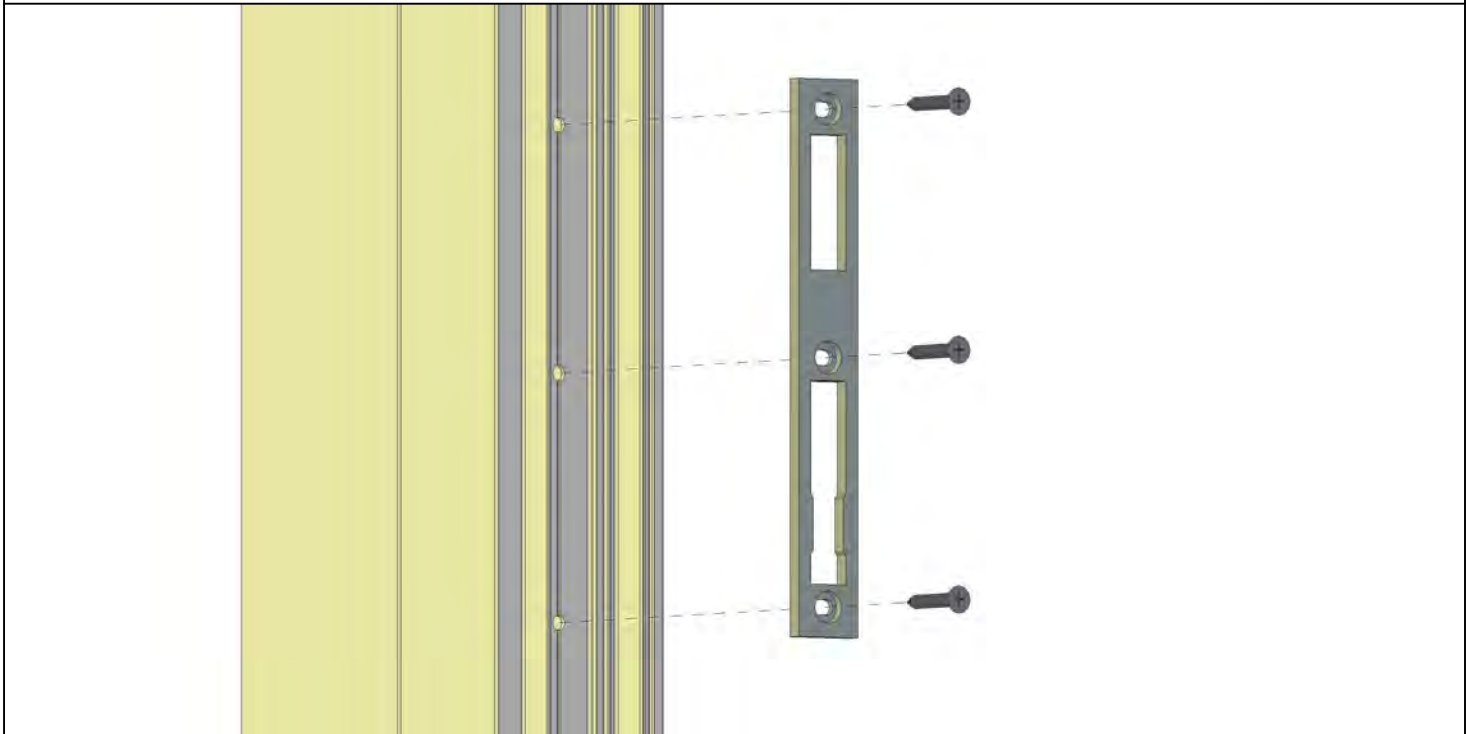
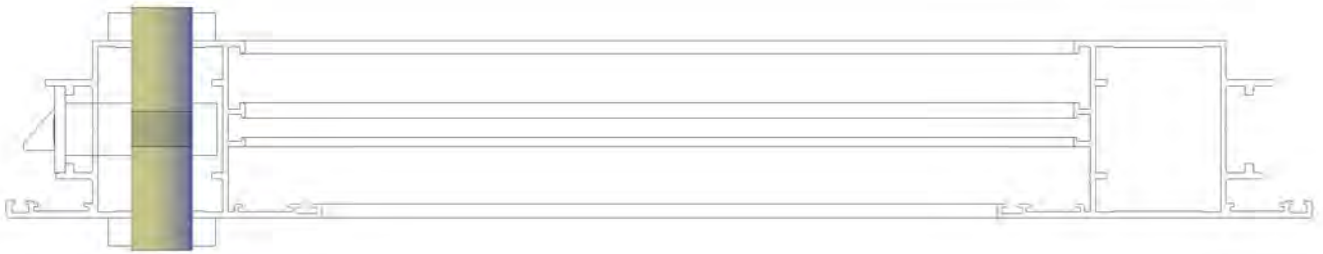
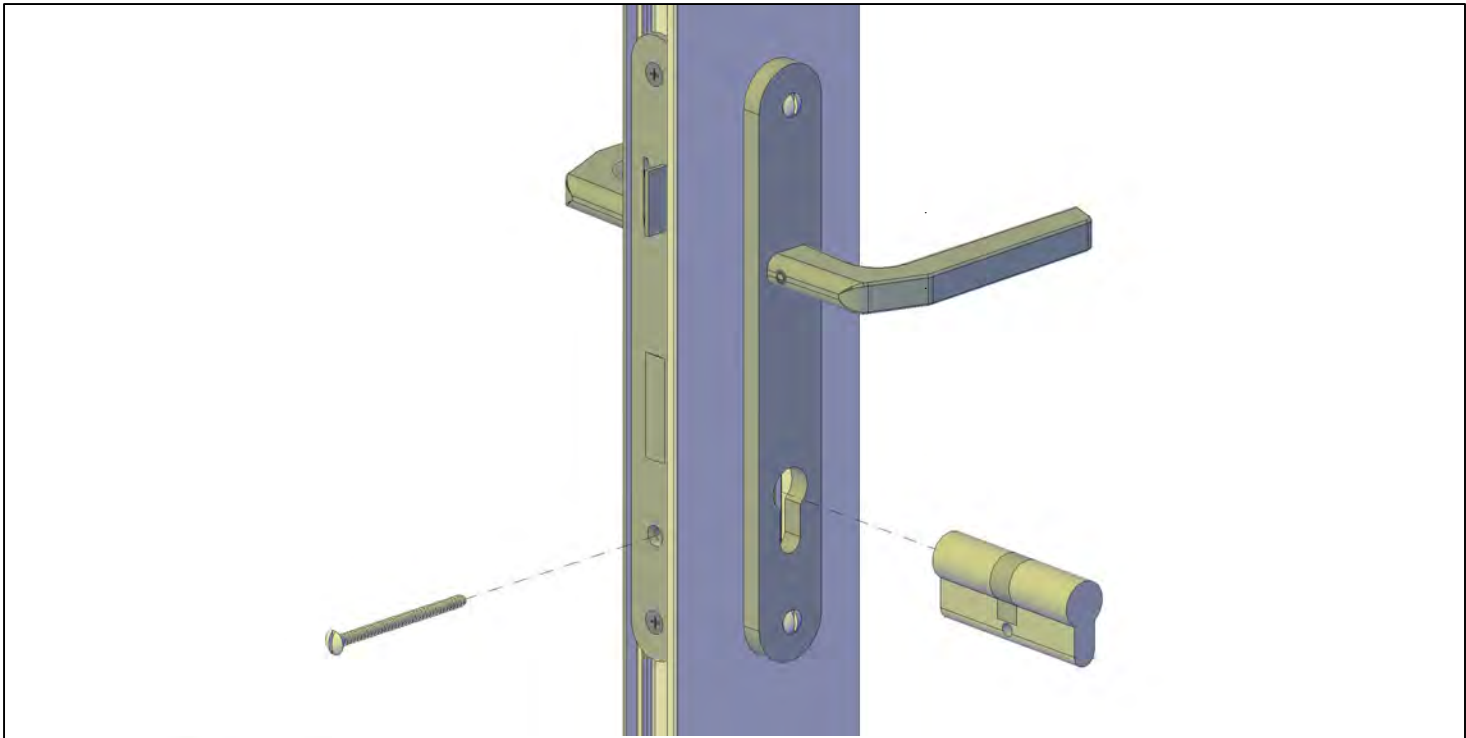


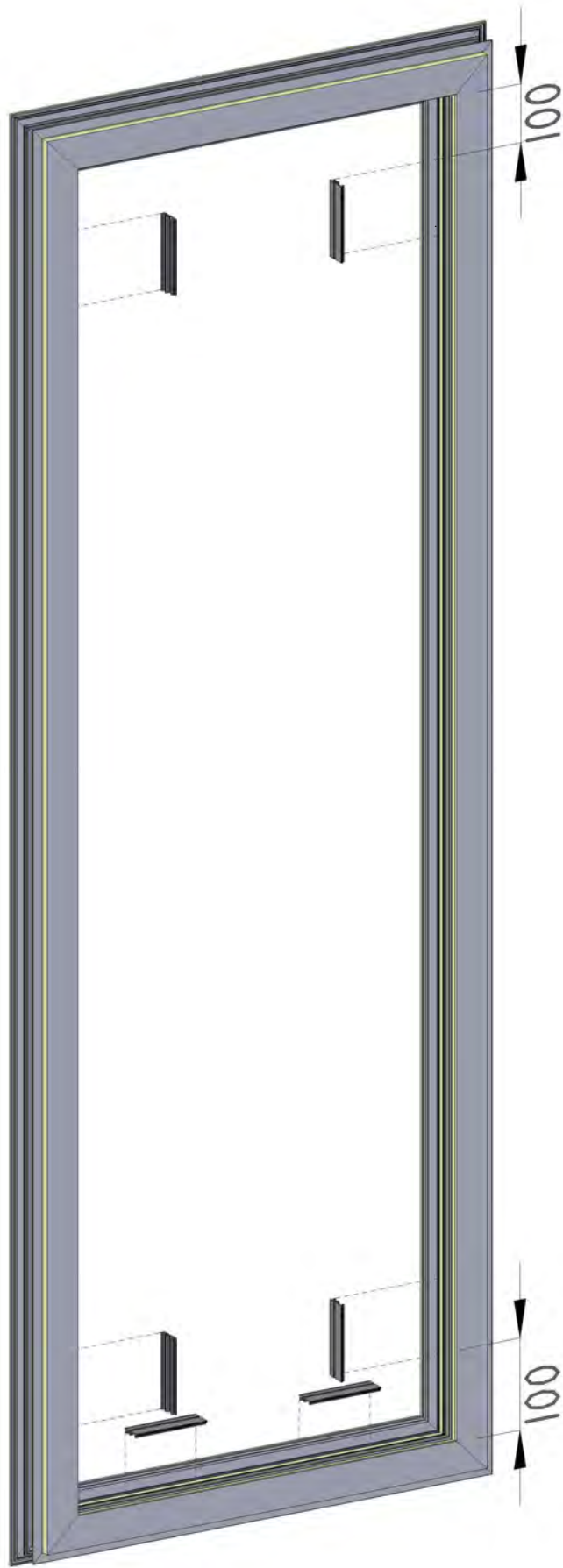
This screw is longer than most drill bits, making it impractical to drill the interior holes. Exaco recommends the following steps:

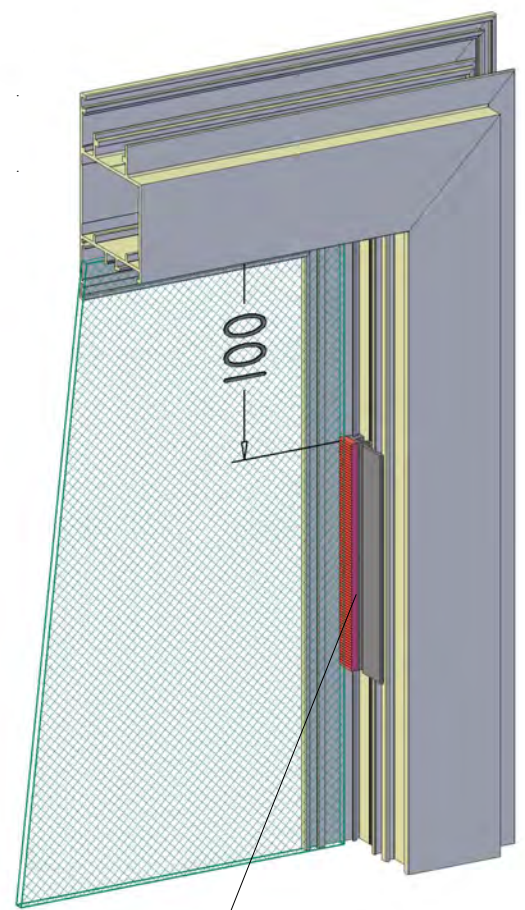
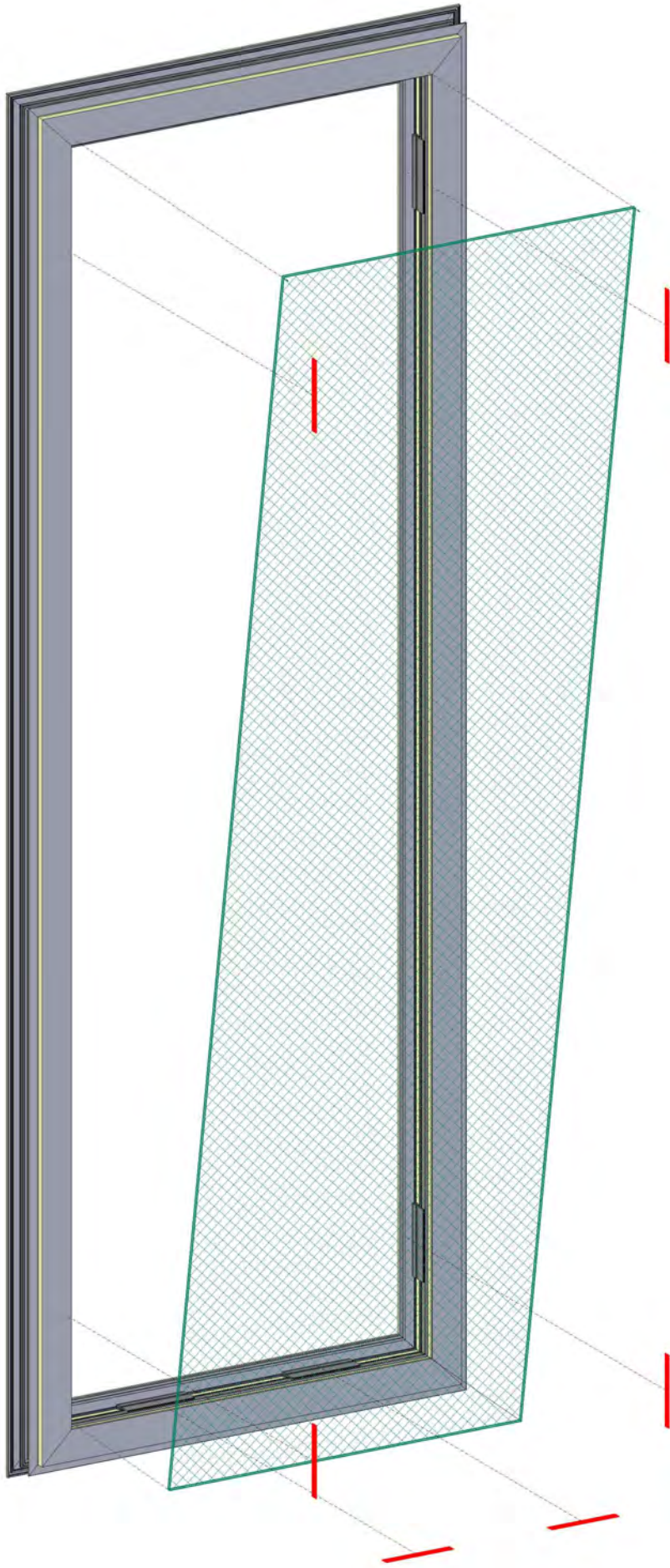
- 1) Use a long screwdriver (or other thin tool) to reach through each hole on the RED piece, then tap the handle gently with a hammer. This will make a small indentation on the GREEN piece, marking the spot where you should drill.
- 2) Drill a hole in each location you marked in step one.



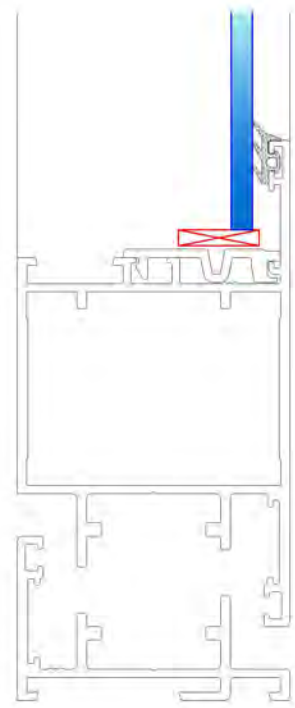


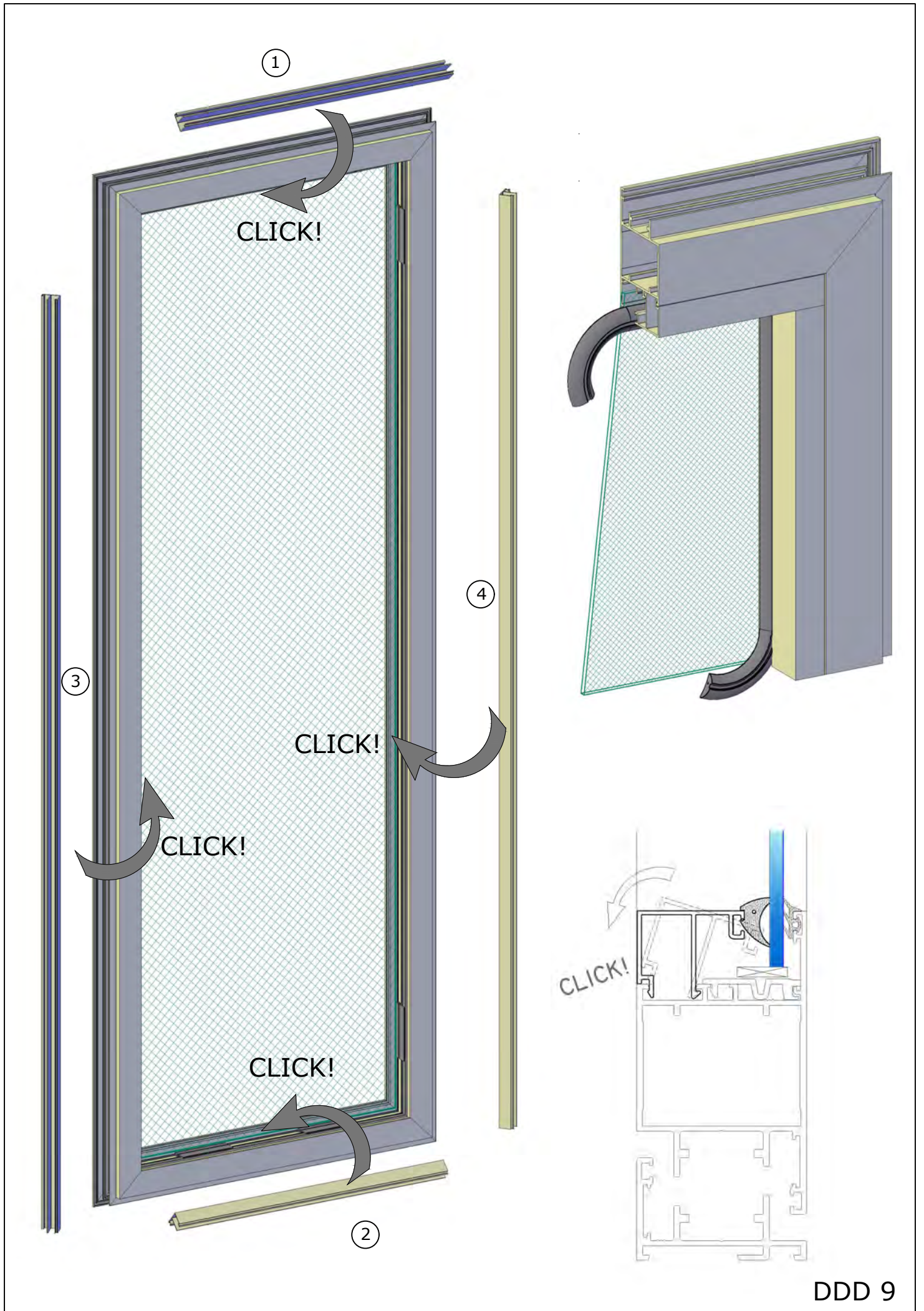


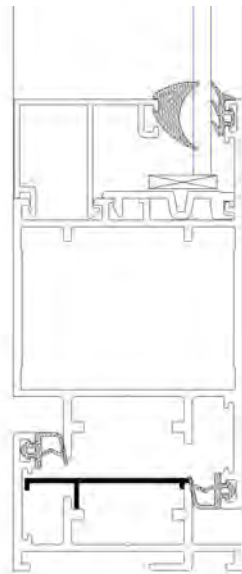
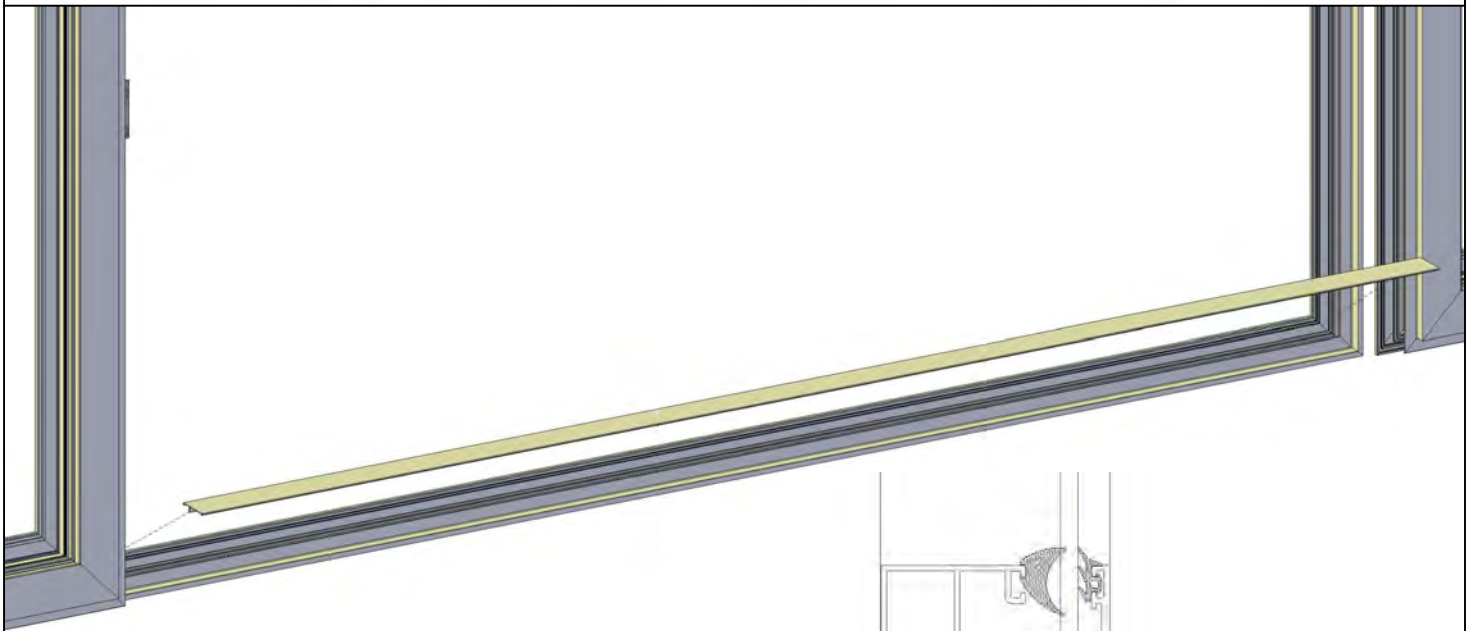
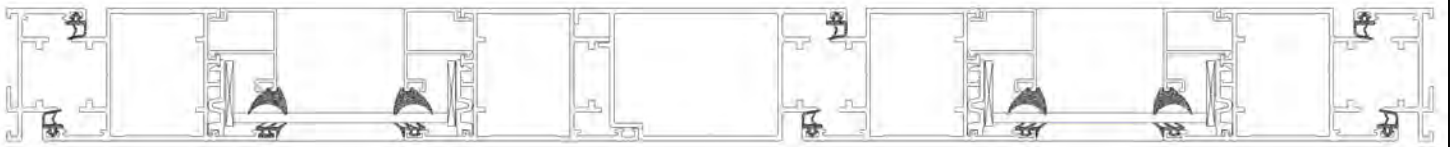


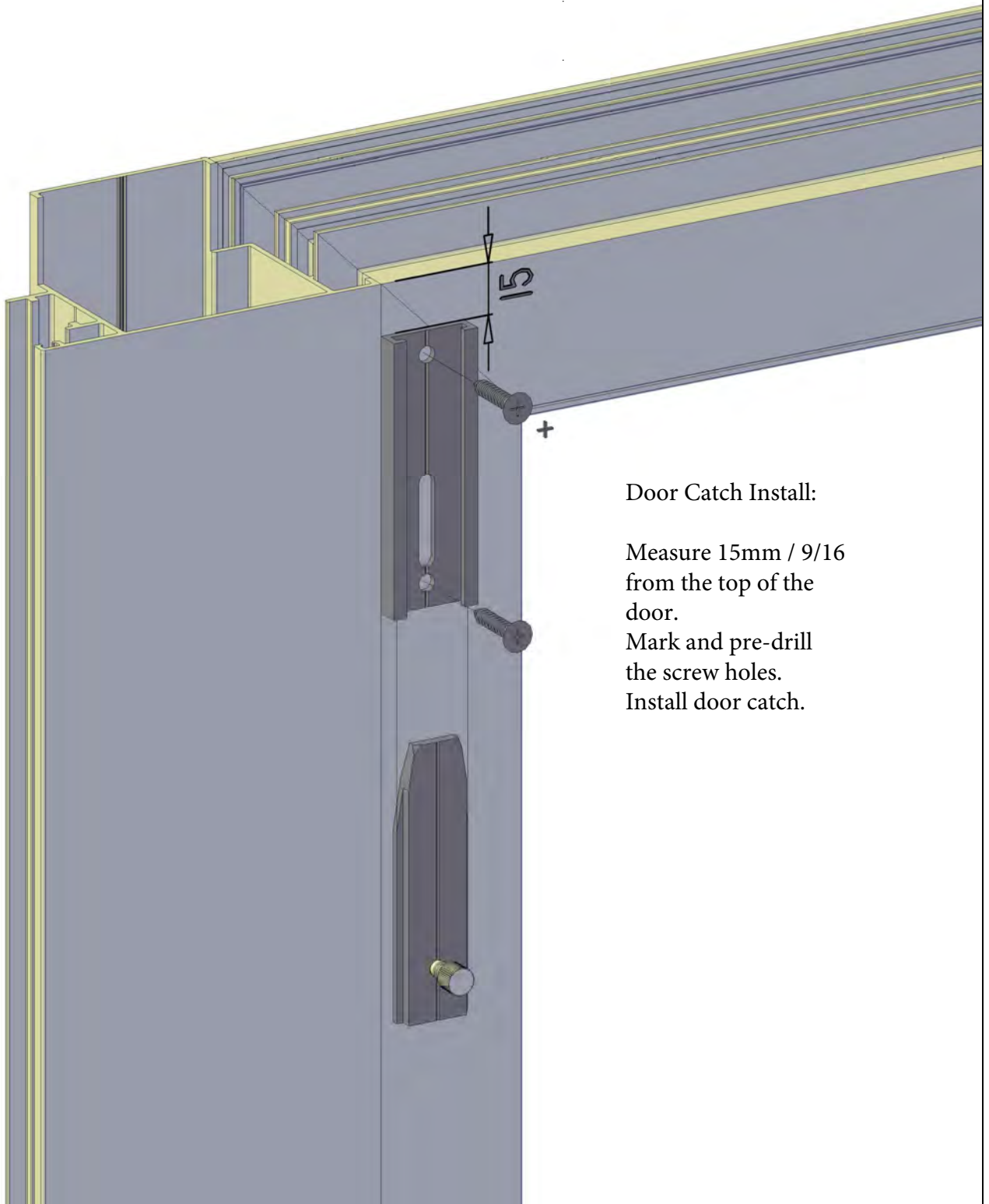


SILICON







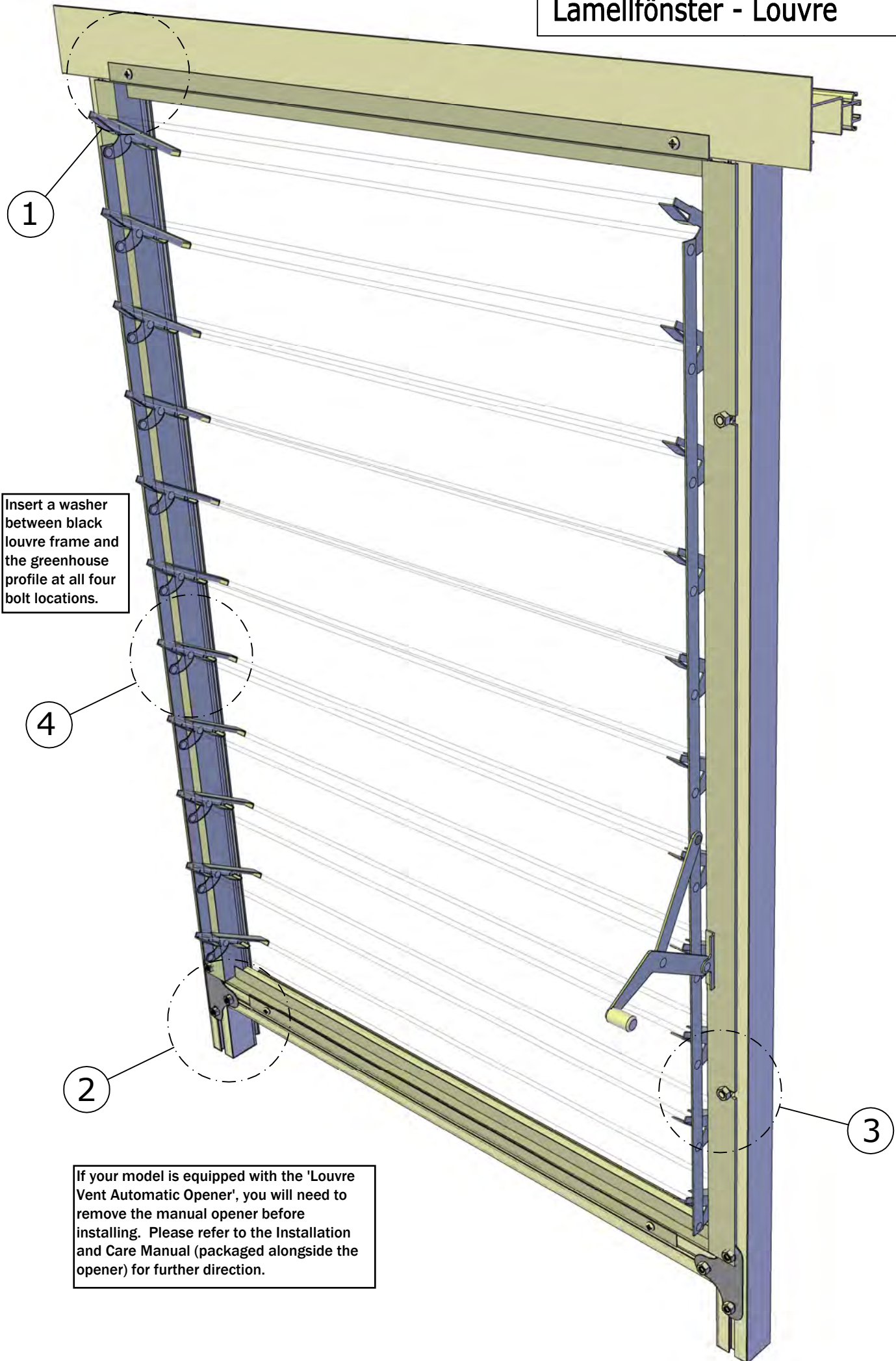


Door Catch Install:

Measure 15mm / 9/16
from the top of the
door.
Mark and pre-drill
the screw holes.
Install door catch.



Lammelenraam - Lamellenfenster - Louvre vent
Lamellfenster - Louvre

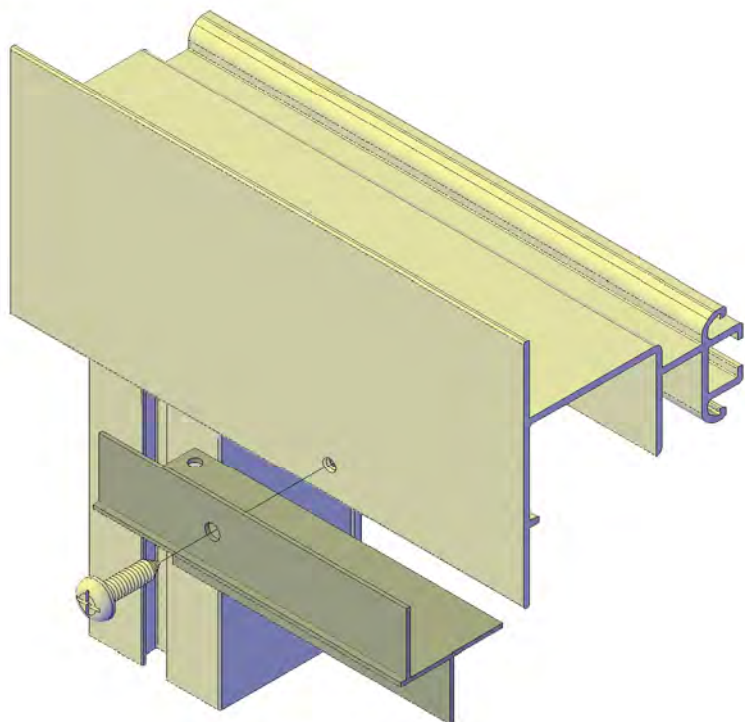


Insert a washer
between black
louvre frame and
the greenhouse
profile at all four
bolt locations.

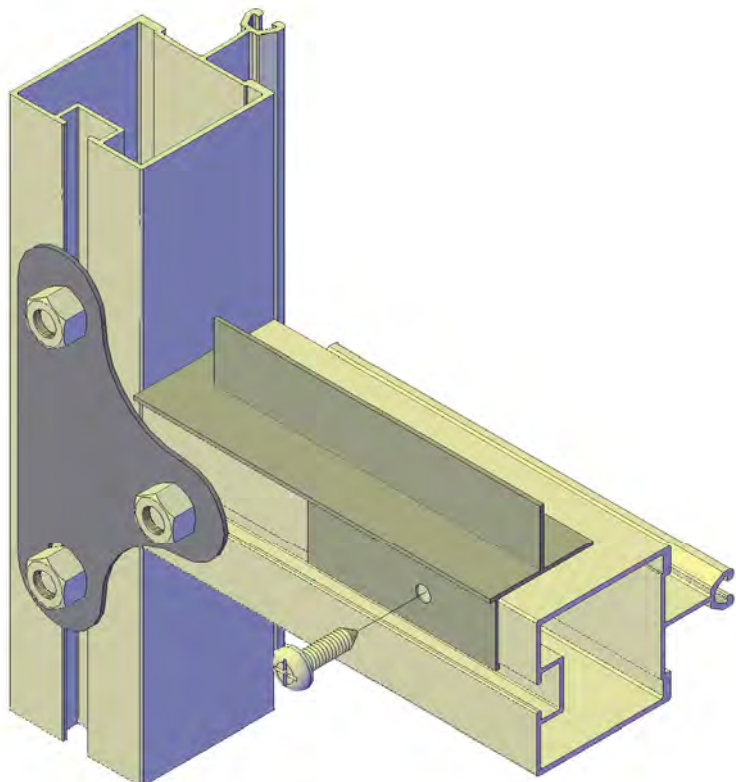
If your model is equipped with the 'Louvre Vent Automatic Opener', you will need to remove the manual opener before installing. Please refer to the Installation and Care Manual (packaged alongside the opener) for further direction.

Lammelenraam - Lamellenfenster - Louvre vent - Lamellfenster - Louvre

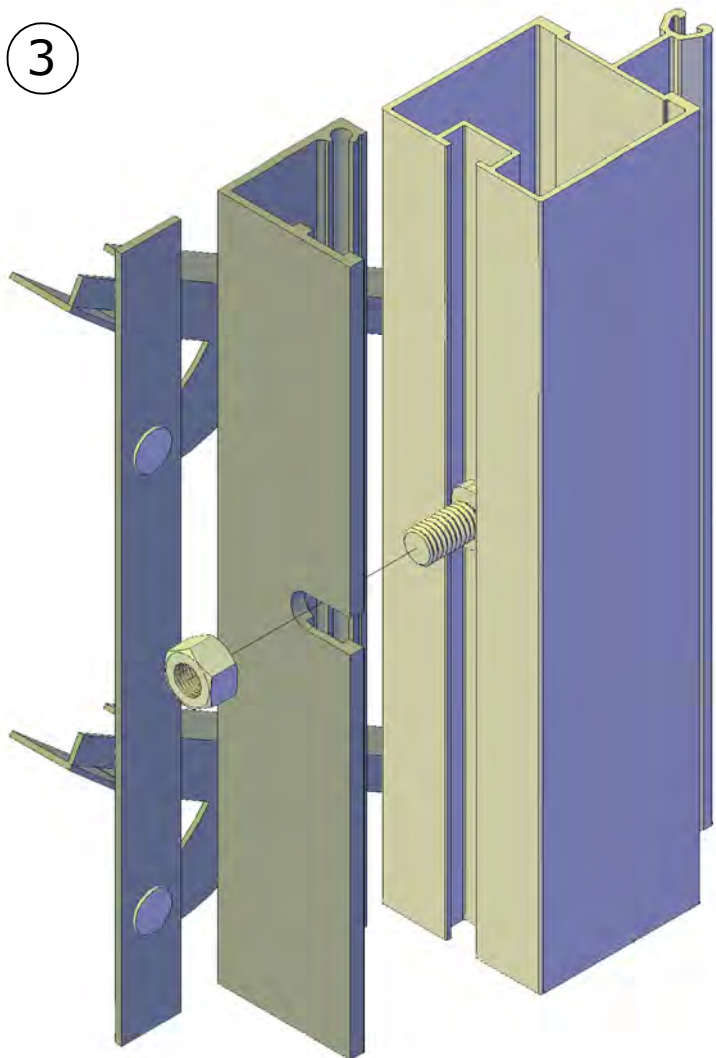
1



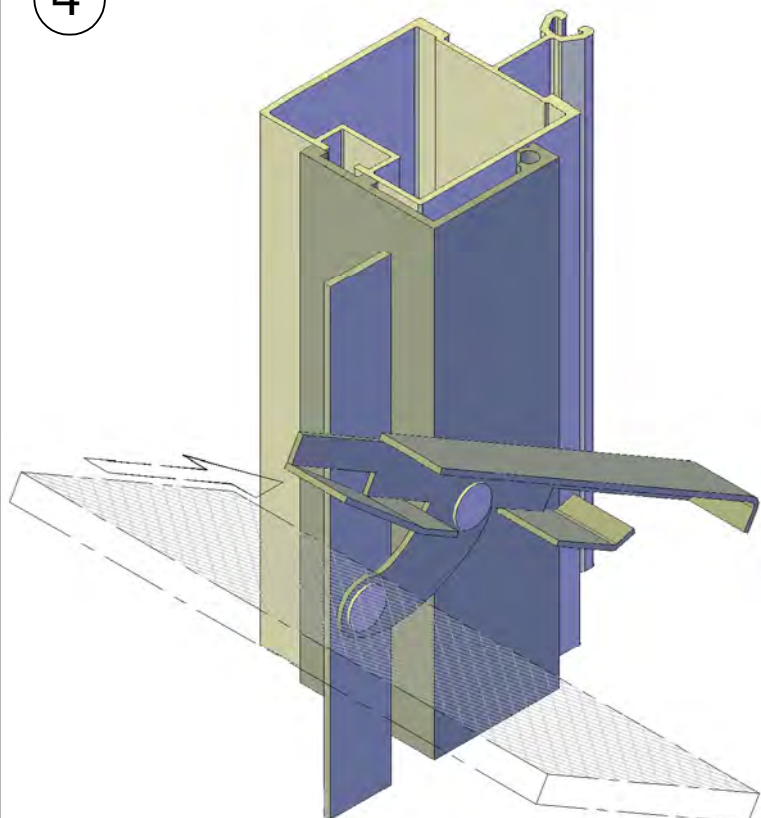
2



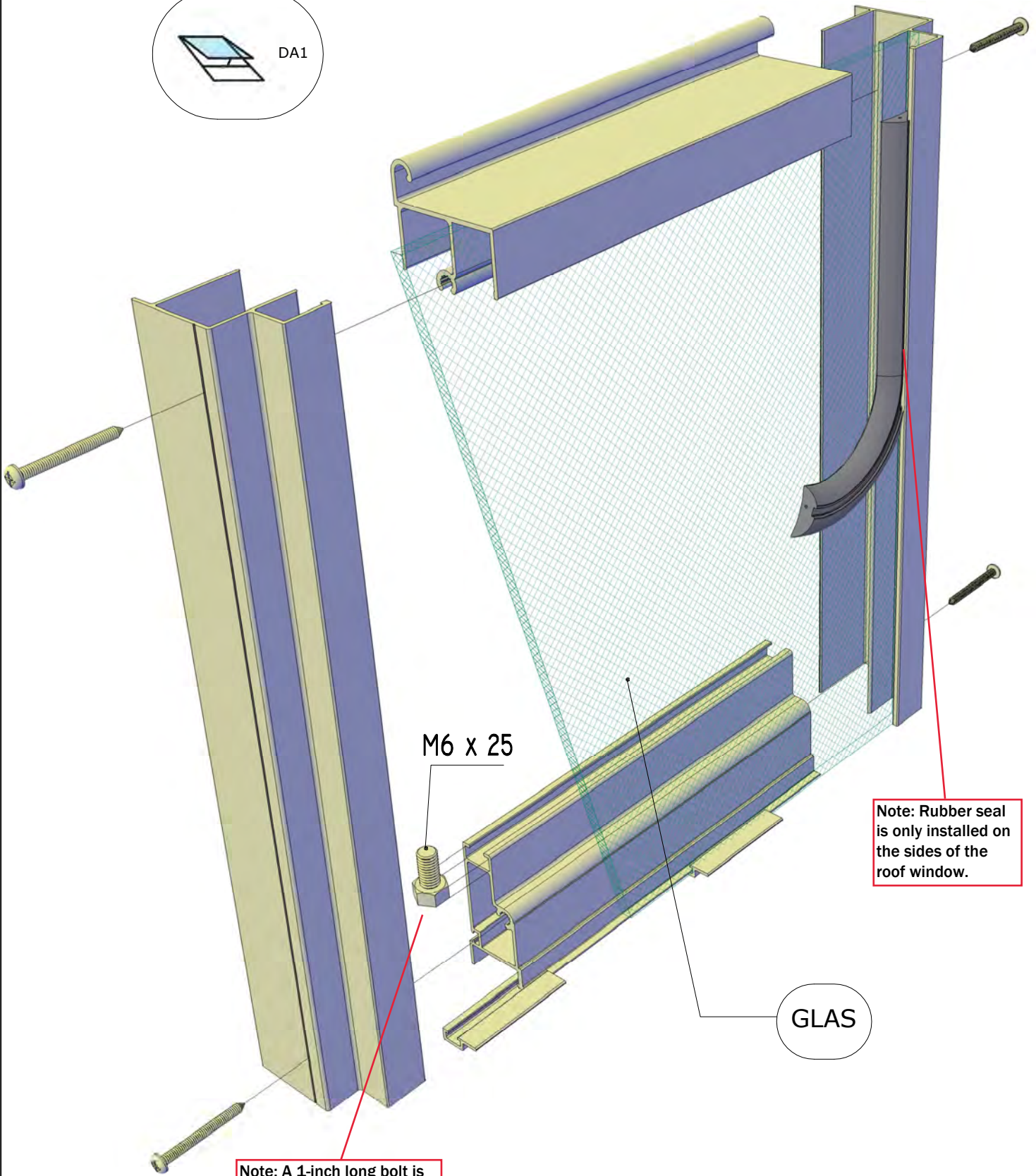
3



4



Dakraam-Lucarne-Dachfenster-Roofwindow-Tagvindue Takluke-Takfönster-Finestra del tetto



Note: Rubber seal is only installed on the sides of the roof window.

Note: A 1-inch long bolt is inserted into the lower profile. This bolt is for the optional manual opener or the spindle opener.



RUBBER E400330

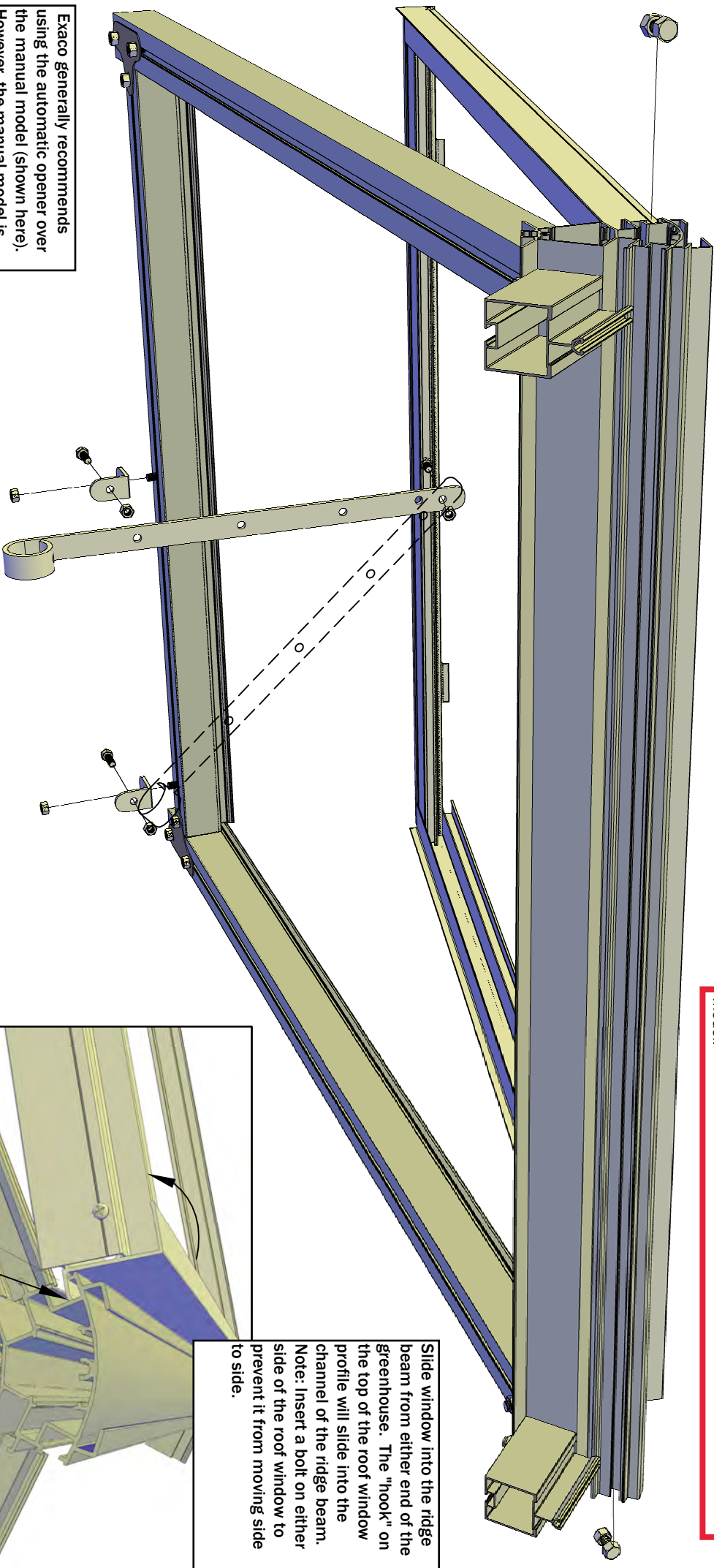
DA1

Note: Pages **DA2**, **DA3**, and **DA4** each depict a different variation of a window-opening mechanism. You only need to install ONE model per window.

Pg. DA2 - Basic manual model, comes standard with every greenhouse

Pg. DA3 - Automatic opener, comes standard with every greenhouse. A popular alternative to the basic model.

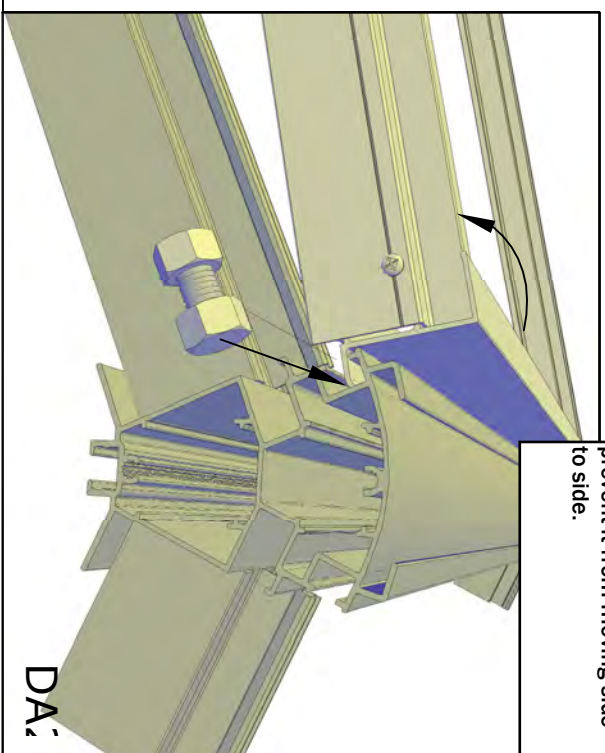
Pg. DA4 - Spindle opener, must be custom ordered. Alternative to the basic model.



Slide window into the ridge beam from either end of the greenhouse. The "hook" on the top of the roof window profile will slide into the channel of the ridge beam. Note: Insert a bolt on either side of the roof window to prevent it from moving side to side.

Exaco generally recommends using the automatic opener over the manual model (shown here). However, the manual model is useful for securing the window in the 'closed' position. If you do so, be sure to detach the automatic opener first - the manual and automatic openers should never be used together on the same window.

Window Opener - Basic Manual Model



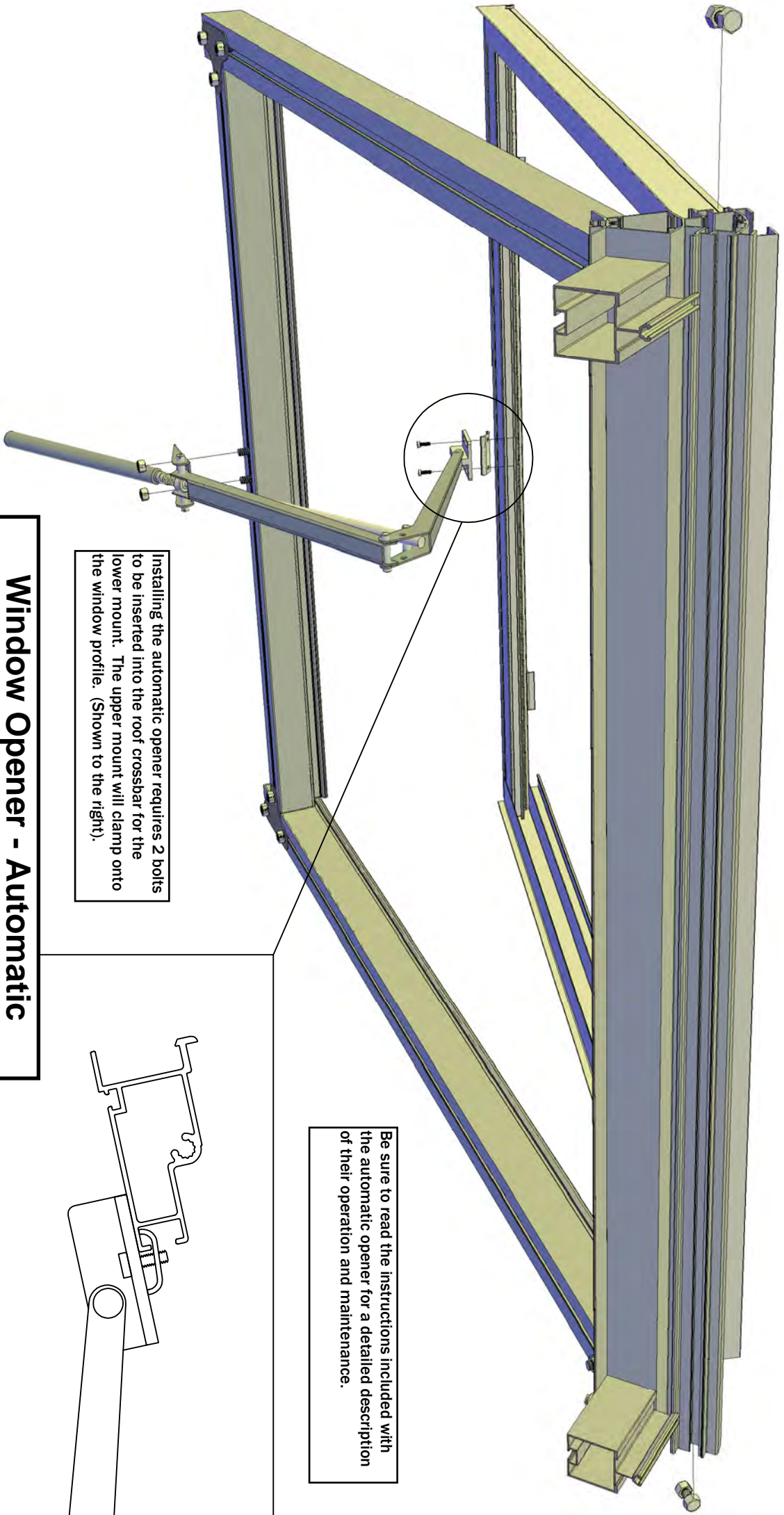
DA:

Note: Pages **DA2**, **DA3**, and **DA4** each depict a different variation of a window-opening mechanism. You only need to install ONE model per window.

Pg. DA2 - Basic manual model, comes standard with every greenhouse

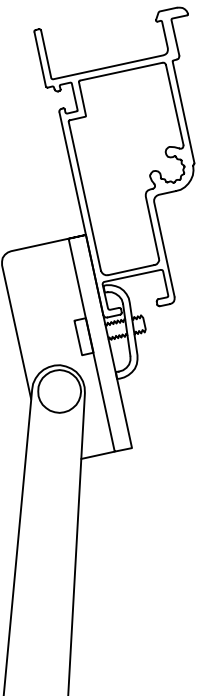
Pg. DA3 - Automatic opener, comes standard with every greenhouse. A popular alternative to the basic model.

Pg. DA4 - Spindle opener, must be custom ordered. Alternative to the basic model.



Installing the automatic opener requires 2 bolts to be inserted into the roof crossbar for the lower mount. The upper mount will clamp onto the window profile. (Shown to the right).

Be sure to read the instructions included with the automatic opener for a detailed description of their operation and maintenance.



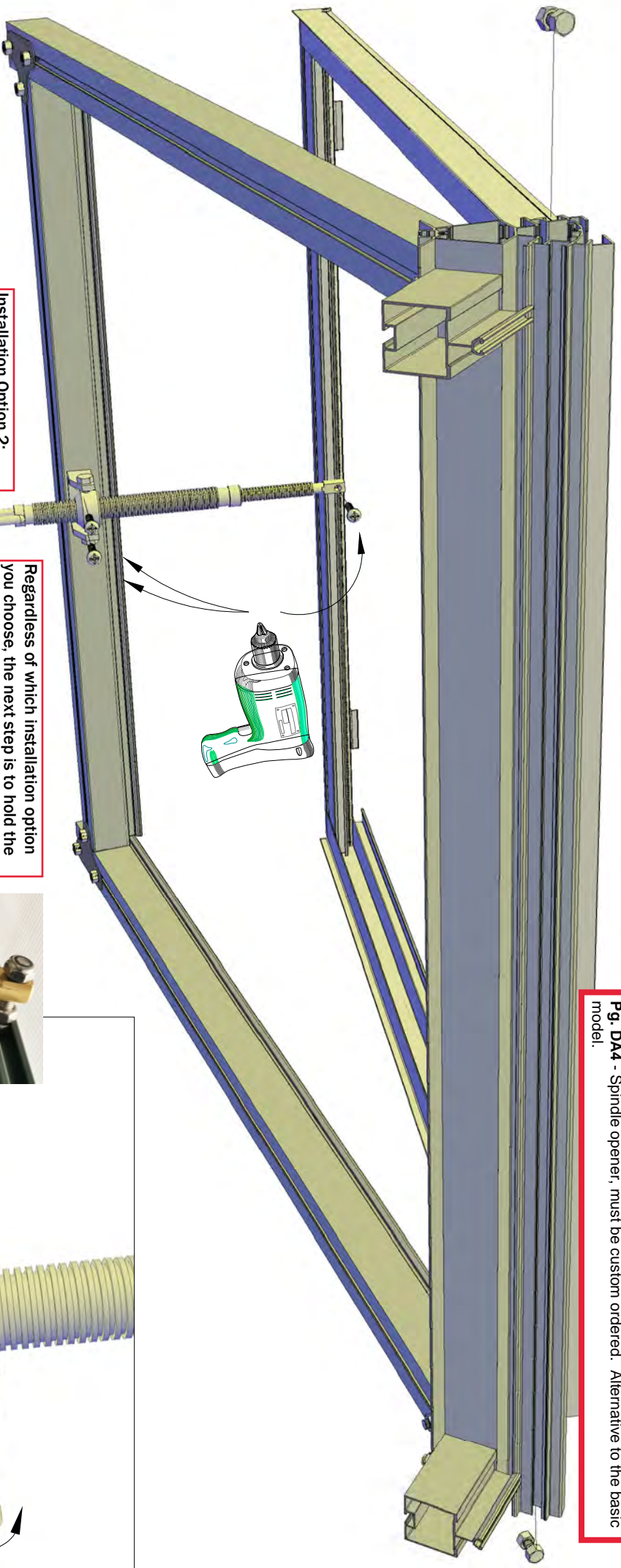
Window Opener - Automatic

Note: Pages **DA2**, **DA3**, and **DA4** each depict a different variation of a window-opening mechanism. You only need to install ONE model per window.

Pg. DA2 - Basic manual model, comes standard with every greenhouse

Pg. DA3 - Automatic opener, comes standard with every greenhouse. A popular alternative to the basic model.

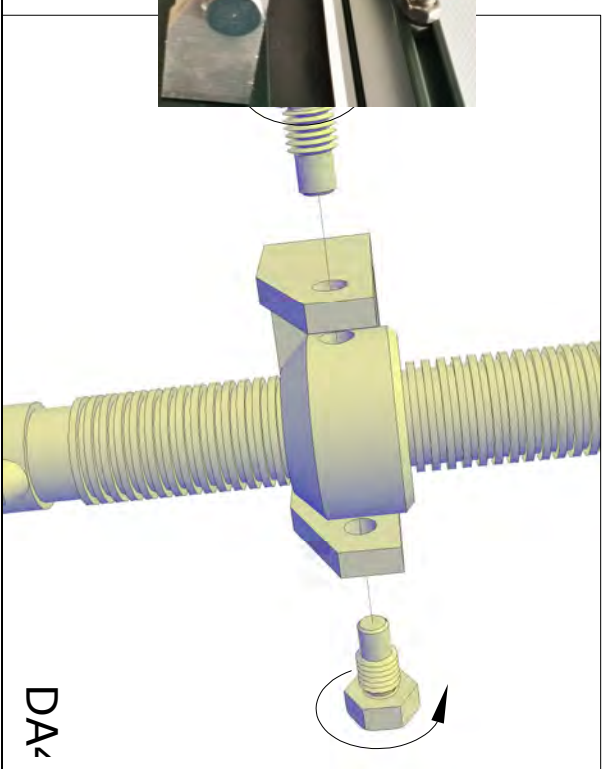
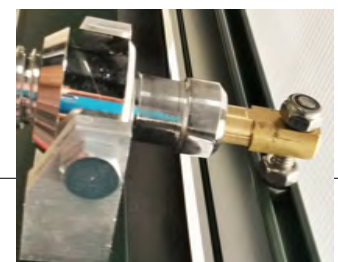
Pg. DA4 - Spindle opener, must be custom ordered. Alternative to the basic model.



Installation Option 2:
Insert a 1-inch bolt into the lower roof window channel. Slide to the center and lock in place with a nut as shown (left). Only use this method if you have previously screwed an extra longbolt into the center of the channel



Regardless of which installation option you choose, the next step is to hold the lower U-shaped crossbar and mark the center of the one hole. Using a 1/8" drill bit, drill the first hole, then screw the bracket on. Check for level, then mark and drill the second hole. Slide the brass part of the opener over the bolt in the window channel. Use the supplied nylock nut to secure the opener on the top mounting bolt. Finally, thread the large side bolts into the U-shaped mount.



Window Opener - Spindle