



SPI Signal Splitter

Model No.: 36455

DC5-24V/Dual way amplifier or splitter



CE RoHS EMC LVD

Features

- Split 1 group SPI signal (data+clock) to 2 group SPI signals.
- Used with SPI controller, applied to synchronous control multiple SPI digital RGB or RGBW LED strips.

Technical Parameters

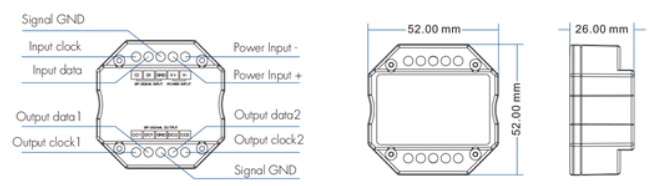
Input and Output	
Input voltage	5-24VDC
Input signal	1 group SPI (TTU) signal
Output signal	2 group SPI (TTU) signals

Safety and EMC	
EMC standard (EMC)	EN301 489,EN 62479
Safety standard(IVD)	EN60950
Radio Equipment(RED)	EN300 328
Certification	CE,EMC,IVD

Environment	
Operation temperature	Ta: -30°C ~ +55°C
Case temperature (Max.)	Tc: +85°C
IP rating	IP20

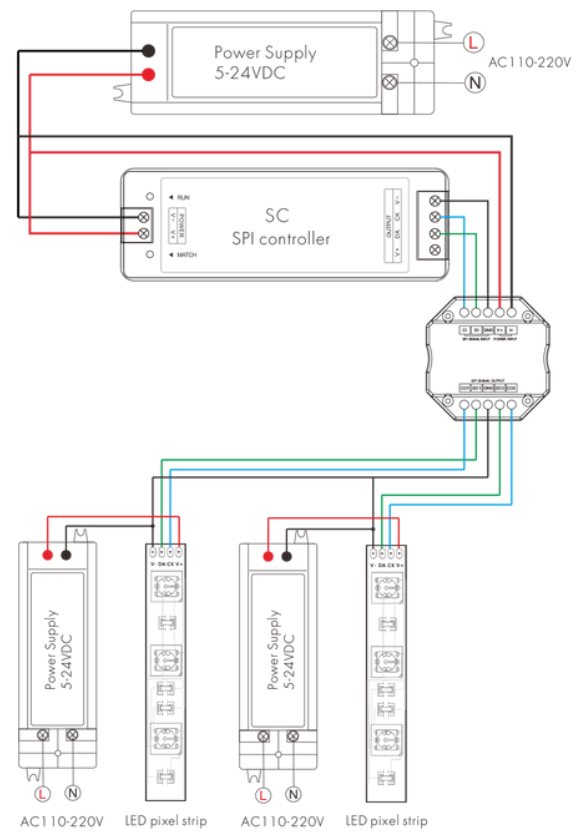
Warranty and Protection	
Warranty	5 years
Protection	Reverse Polarity

Mechanical Structures and Installations

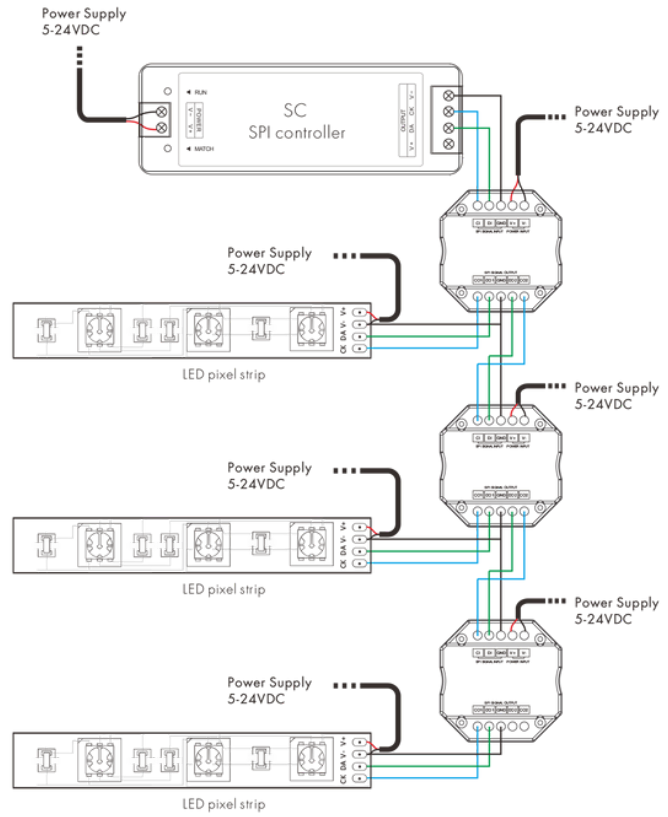


Wiring Diagram

- Connect with one SA



Connect with more than one SA



Note:

- If the SPI LED pixel strip is single-wire control, the DATA and CLK output is same, each SA can connect up to 4 LED strips.
- If the SPI LED pixel strip is two-wire control, each SA connect up to 2 LED strips.