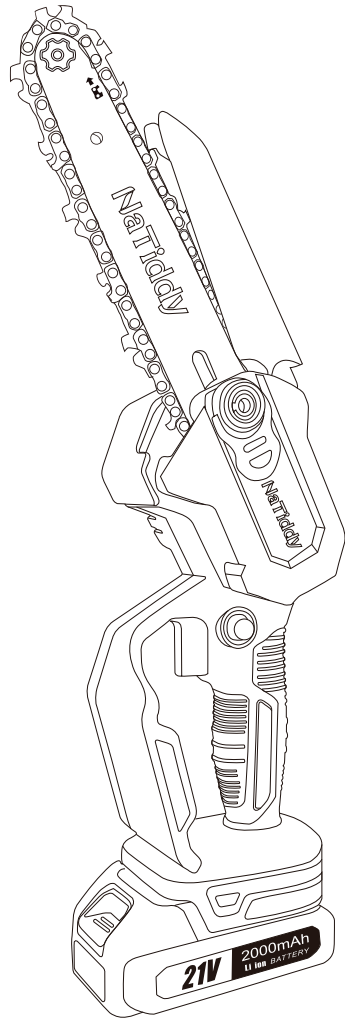


NaTiddy

21V Cordless Mini Chainsaw

User Manual



Please read this user manual carefully before using,
and save it for future reference.

Ushering in a New Era of Garden Tidy

Contents

1. Safety Instructions	3
2. Major Components of the 6" Cordless Mini Chainsaw	7
3. What's in the Box	8
4. Product Specifications	9
5. Relevant Symbols	10
6. Charging Procedure	11
7. Operation Tips	13
7.1 Switch Action	
7.2 How to Change the Saw Chain	
8. Maintenance, Storage and Disposal	18
9. After-Sales Information	19

Safety Instructions

General Safety Instructions



WARNING! Read all safety warnings and all instructions.

Failure to follow the warnings and instructions may result in electric shock, fire and/or serious injury.

Save all warnings and instructions for future reference.

The term "power tool" in the warnings refers to your mains-operated (corded) power tool or battery pack-operated (cordless) power tool.

- This product is not intended for use by persons (including children) with reduced physical, sensory or mental capabilities, or who lack experience and knowledge, unless they have been given supervision or instruction concerning the use of the appliance by a person responsible for their safety.
- Only use the product in the manner and for the functions described in these instructions.

Work Area Safety

- Keep work area clean and well lit. Cluttered or dark areas may invite accidents.
- Do not operate power tools in explosive atmospheres, such as in the presence of flammable liquids, gases or dust. Power tools will spark normally, which may ignite the dust or fumes.
- Keep children and bystanders away while operating a power tool. Distractions can cause you to lose control.

Electrical Safety

- Power tool plugs must match the outlet. Never modify the plug in any way. Do not use any adapter plugs with earthed (grounded) power tools. Unmodified plugs and matching outlets will reduce the risk of electric shock.
- Do not expose power tools to rain or wet conditions. Water entering a power tool will increase the risk of electric shock.
- Do not abuse the cord. Never use the cord for carrying, pulling or unplugging the power tool. Keep cord away from heat, oil, sharp edges or moving parts. Damaged or entangled cords may increase the risk of electric shock.

Personal Safety

- Stay alert, watch what you are doing and use common sense when operating a power tool. Do not use a power tool while you are tired or under the influence of drugs, alcohol or medication. A moment of inattention while operating power tools may result in serious personal injury.
- Use personal protective equipment. Always wear eye protection. Protective equipment such as dust mask, non-skid safety shoes, hard hat, or hearing protection used for appropriate conditions will reduce personal injuries.

- Prevent unintentional starting. Ensure the switch is in the off-position before connecting to power source and/or battery pack, picking up or carrying the tool. Carrying power tools with your finger on the switch or energizing power tools that have the switch on invites accidents.

- Do not overreach. Keep proper footing and balance at all times. This enables better control of the power tool in unexpected situations.

- Dress properly. Do not wear loose clothing or jewelry. Keep your hair, clothing and gloves away from moving parts. Loose clothes, jewelry or long hair can be caught in moving parts.

Use and Care of Power Tool

- **Do not force the power tool.** Use the correct power tool for your application. The correct power tool will do the job better and more safely at the rate for which it was designed.

- **Do not use the power tool if the switch cannot turn it on and off.** Any power tool that cannot be controlled with the switch is dangerous and must be repaired.

- **Disconnect the plug from the power source and/or the battery pack from the power tool before making any adjustments, changing accessories, or storing power tools.** Such preventive safety measures reduce the risk of starting the power tool accidentally.

- **Store idle power tools in a place out of the reach of children and do not allow persons unfamiliar with the power tool or these instructions to operate the power tool.** Power tools are dangerous in the hands of untrained users.

- **Keep cutting parts sharp and clean.** Properly maintained cutting tools with sharp cutting edges are less likely to bind and are easier to control.

Service

Have your power tool serviced by a qualified repair person using only identical replacement parts. This will ensure that the safety of the power tool is maintained.

Cordless Chainsaw Safety Warnings

(1). Keep all parts of the body away from the saw chain when the chainsaw is operating. Before you start the chainsaw, make sure that the saw chain is not contacting anything. A moment of inattention while operating chainsaws may cause entanglement of your clothing or body with the saw chain.

(2). Wear safety glasses and hearing protection. Further protective equipment for head, hands, legs and feet is recommended. Adequate protective clothing will reduce personal injury by flying debris or accidental contact with the saw chain.

(3). Don't operate the chainsaw when you are standing in a tree. Personal injury may be caused by people operating electric saws on trees.

(4). When cutting a limb that is under tension be alert for spring back. When the tension in the wood fibers is released the spring loaded limb may strike the operator and/or throw the chainsaw out of control.

(5). Use extreme caution when cutting brush and saplings. The slender material may catch the saw chain and be whipped toward you or pull you off balance.

(6). Keep handles dry, clean, and free from oil and grease. Greasy and oily handles are slippery, thus causing loss of control.

(7). Cut wood only. Do not use the chainsaw for purposes not intended. For example, do not use the chainsaw for cutting plastic, masonry or non-wood building materials. Use of the chainsaw for operations different than intended could result in a hazardous situation.

Additional Safety Warnings

Important Training

- Read the instructions carefully. Be familiar with the controls and the proper use of the appliance.
- Never allow children to use the product.
- Never allow people unfamiliar with these instructions to use the appliance. Local regulations may restrict the age of the operator.
- Never operate the appliance while people, especially children, or pets are nearby.
- The operator or user is responsible for accidents or hazards happening to other people or their property.

Preparation

- Wear safety goggles and ear muffs while operating.
- Always wear substantial footwear and long trousers. Do not operate the equipment when you are barefoot or wearing open sandals.
- Always wear suitable working clothes during working, which allow freedom of movement.
- Never operate the appliance which is damaged, incomplete or changed without approval of the manufacturer.

Operation

- Disconnect the battery from the product: whenever you leave the product, before clearing a blockage, before checking, cleaning or working on the product, if the product starts to vibrate abnormally.
- Operate the product only in daylight or in good artificial light.
- Do not overreach and keep your balance at all times.
- Always be sure of your footing on slopes.
- Walk, never run.
- Keep all ventilation openings clear of debris.
- Never blow debris in the direction of bystanders.

Residual Risks

Even if you are operating this product in accordance with the provisions, residual risks will always still remain. The following dangers can arise in connection with the structure and design of this product:

(1). Health defects resulting from vibration emission if the product is being used over longer period of time or not adequately managed and properly maintained.

(2). Injuries and damage to property due to broken accessories or hidden objects that are suddenly dashed.

(3). Injuries and damage to property due to thrown and fallen objects.

Vibration and Noise Reduction

To reduce the impact of noise and vibration emission, limit the time of operation, use low-vibration and low-noise operating modes as well as wear personal protective equipment.

Emergency

Familiarize yourself with the use of this product by means of this instruction manual. Memorize the safety directions and follow them to the letter. This will help to prevent risks and hazards.

(1). Always be alert when using this product, so that you can recognize and handle risks early. Fast intervention can prevent serious injury and damage to property.

(2). Stop the motor and disconnect the battery from the product if there is any malfunction. Have the product checked by a qualified professional and repaired, if necessary, before you put it into operation again.

Safety Warnings and Instructions: Charging

CAUTION: To reduce the risk of injury, use this charger only with this product. Batteries in other products may burst, causing personal injury or damage.

(1). Do not expose charger to rain or snow.

(2). Use of an attachment not recommended may result in the risk of fire, electric shock, or injury to persons.

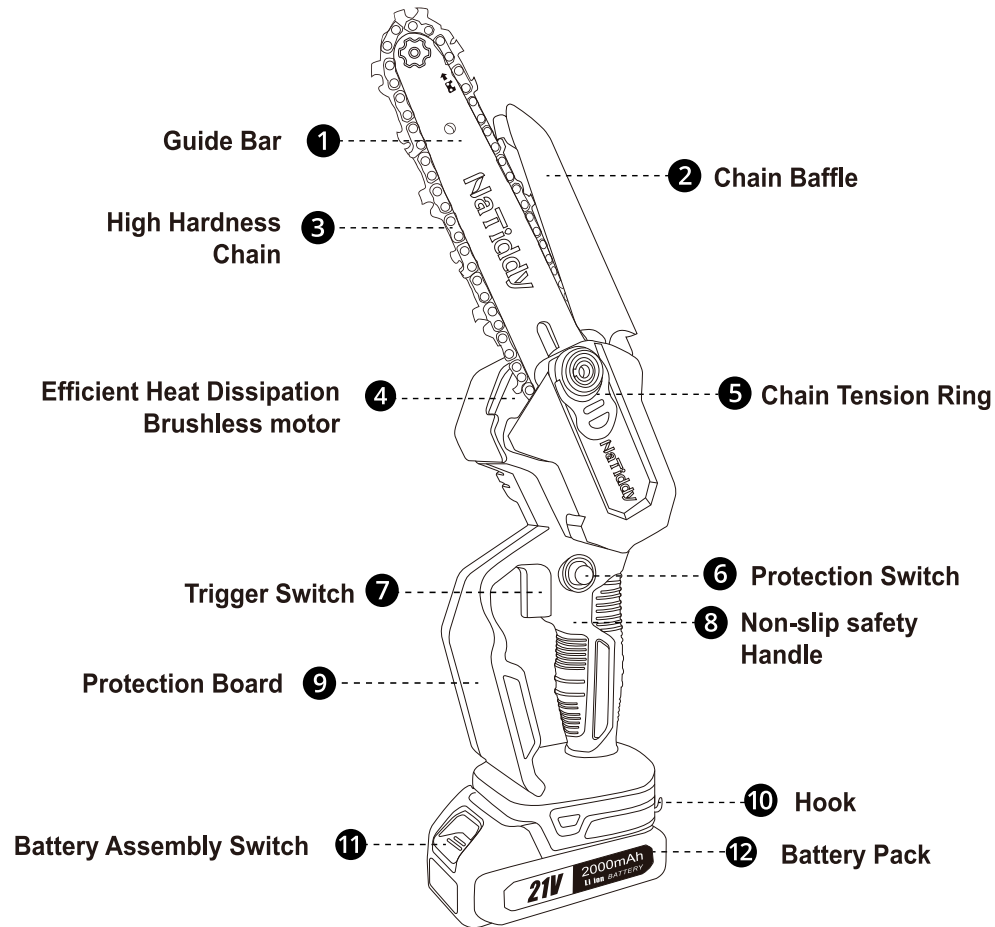
(3). To reduce the risk of damage to electric plug and cord, pull plug rather than cord when disconnecting charger.

(4). Make sure that the cord is located so that it will not be stepped on, tripped over, or subject to damage or stress.

(5). An extension cord should not be used unless absolutely necessary. Improper use of extension cord could result in a risk of fire, electric shock or electrocution.

Major Components of the 6" Cordless Mini Chainsaw

Please use the illustration below to familiarize yourself with the location and function of the components that control of your chain saw.



UNPACKING:

Unpack the tool and all its parts, and compare against the list below. Do not discard the carton or any packaging materials.

Including: Mini Chainsaw/User manual/ Battery /Battery charger/Saw chain/Guide bar/Screwdriver Safety Gloves/Safety Goggles/Mini Chainsaw Oil Bottle

What's in the Box

S/N	Name	QTY
1	6" Mini Cordless Chainsaw	1pc
2	Charger	1pc
3	Battery Pack	2pcs
4	Saw Chain(One has been installed for use)	2pcs
5	Screwdriver	1pcs
6	Safety Gloves	1pc
7	Safety Goggles	1pc
8	Mini Chainsaw Oil Bottle	1pc
9	Tool Box	1pc
10	User Manual	1pc

WARNING: Only use the battery cartridges and chargers listed above. Use of any other battery cartridges and chargers may cause injury and/or fire.

CAUTION: These accessories or attachments are recommended for use with your NaTiddy tool specified in this manual. The use of any other accessories or attachments might present a risk of injury to persons. Only use accessory or attachment for its stated purpose.

Product Specifications

Name	GB-CS003
Rated Voltage	21V DC
Horse Power	700W
No Load Speed	6000RPM
Cutting Diameter	6 Inch (150mm)
G.W./N.W.	2.68/1.3kg (5.90/2.86lbs)
Battery Capacity	2.0 Ah*2
Battery Charger	Input:110-240V Output:800mA

These instructions should be read in conjunction with the instruction manual for the battery pack and charger.

Relevant Symbols

The following shows the symbols used for the equipment. Be sure that you understand their meanings before use.

	Warning, safety alert.
	Read and follow all safety precautions in the owner manual.
	Beware of hand injury when using.
	Pay attention to your face when lifting the chainsaw.
	When removing the battery pack, pull the head in the opposite direction to the other.
	Do not expose to rain and/or moisture.

Charging Procedure

Important: In order to maximize the battery life, after receiving the new mini chainsaw, please fully recharge the battery with the fast charger attached in the package. Before attempting to charge them, read all the safety instructions thoroughly.

- (1). To assure that the charger you use is applicable to the battery pack.
- (2). Plug the charger plug into the charging hole of the battery pack.
- (3). Plug the charger into any suitable standard outlet.
- (4). Let the battery pack charge initially with the red light. If the power green lights are lighting for a long time, the battery pack is fully charged.
- (5). If the charger is plugged into the socket first, the green light is normal

► **The Charging Hole is on the Middle of the Battery Pack**



Recharge discharged batteries as soon as possible after use or battery life may be greatly diminished. For longest battery life, do not discharge batteries fully.

It is recommended that the batteries should be recharged after each use.

Warning: Fire hazard. When unplug the output plug from the charging hole, be sure to unplug the charger from the outlet first and then disconnect the charger output plug from the charging hole.

Important Charging Notes

- (1). Your tool is sent from the factory in an uncharged condition. Before attempting to use it, it must be charged.
- (2). Caution: To reduce the risk of damage to the batteries, NEVER charge them in an air temperature below 40°F (4.5°C) or above 105°F (40.5°C). Also, NEVER charge them if the battery temperature is below 40°F (4.5°C) or above 105°F (40.5°C). Longest life and best performance can be obtained when batteries are charged with an air temperature of approximately 75°F (24°C).

Note: The tool will not charge if the tool temperature is below approximately 32°F (0°C) or above 113°F (45°C).

(3). While charging, the charger may hum and become warm to touch. This is a normal phenomenon and does not indicate a problem.

(4). If the batteries do not charge properly:

- a. Check current at the receptacle by plugging in a lamp or other appliances.
- b. Check if receptacle is connected to a light switch which turns power off when you turn out the lights.
- c. Move charger and tool to a location where the surrounding air temperature is 40°F (4.5°C) to 105°F (40.5°C).
- d. If the receptacle and temperature are OK, but you do not get proper charging, take or send the tool and charger to your local service center.

(5). The tool should be recharged when it fails to produce sufficient power on jobs which were easily done previously. Battery life may be greatly diminished if batteries are discharged deeply. **DO NOT CONTINUE** to use product with its batteries in a depleted condition. Recharge discharged batteries promptly.

(6). To maximize battery life:

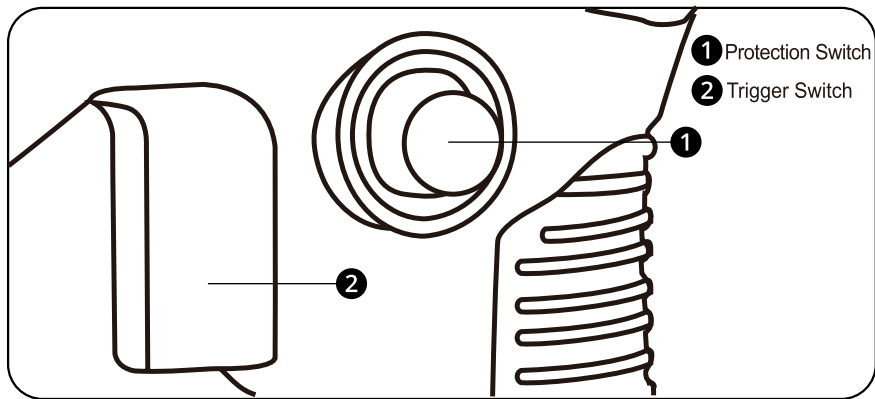
- a. Do not fully discharge batteries.
- b. Fully recharge batteries after each use.
- c. Store tool in a location where the surrounding air temperature is approximately 40°F-75°F (4.5°C-24°C).
- d. Disconnect charger from tool after charging is complete. **WARNING:** Fire hazard. When disconnecting the charger from the tool, be sure to unplug the charger from the outlet first, and then disconnect the charging cord from the tool.

Operation Tips

7.1 Switch Action

CAUTION:

- Before inserting the battery pack into the tool, always check to see that the trigger switch actuates properly and returns to the "Locked" position when released.
- To prevent the trigger switch from being accidentally pulled, a protection switch is provided.
- To start the tool, press the protection switch and the trigger switch simultaneously. Release the trigger switch to stop.
- Always make sure that the tool is switched off and the battery pack is removed before carrying out any work on the tool.



7.2 How to Change the Saw Chain

Step 1 Use a screwdriver to open the swivel nut with light force upwards



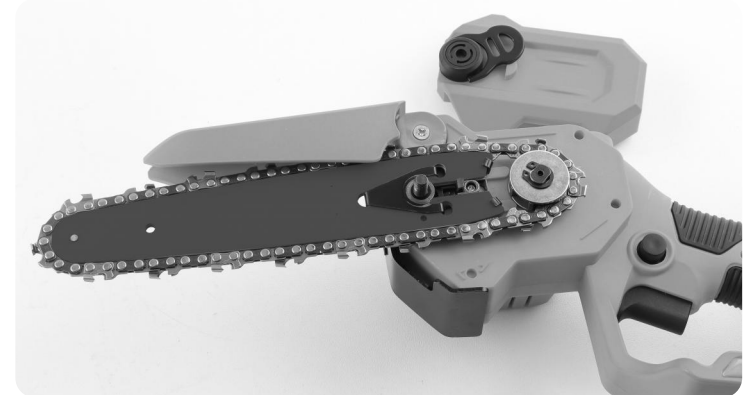
13

Need help? Send us an email at: service@natiddy.com.

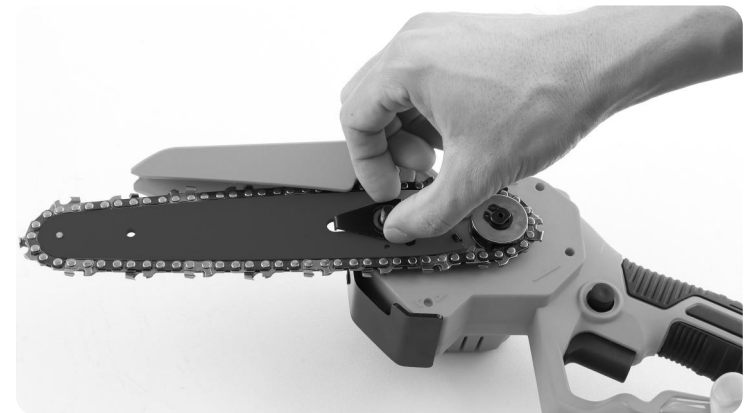
Step 2 Counterclockwise spin the bar tightening knob, and remove the side panel cover



Step 3 Open the side panel cover



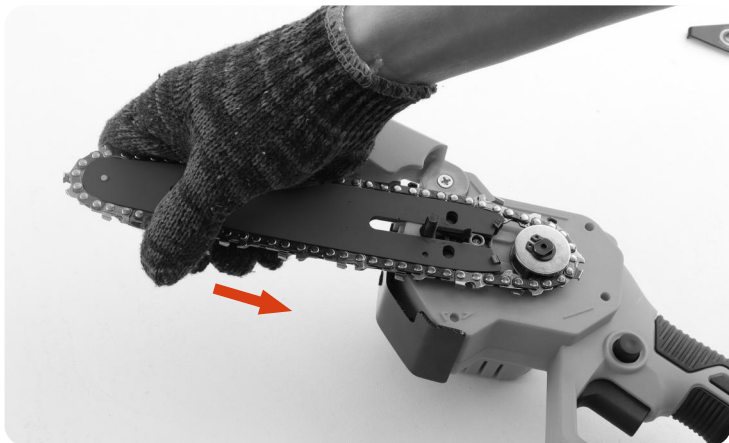
Step 4 Remove the Triangle Chainsaw Pressing Iron



14

Need help? Send us an email at: service@natiddy.com.

Step 5 Wear gloves and press down firmly on the chainsaw guide to loosen the chains



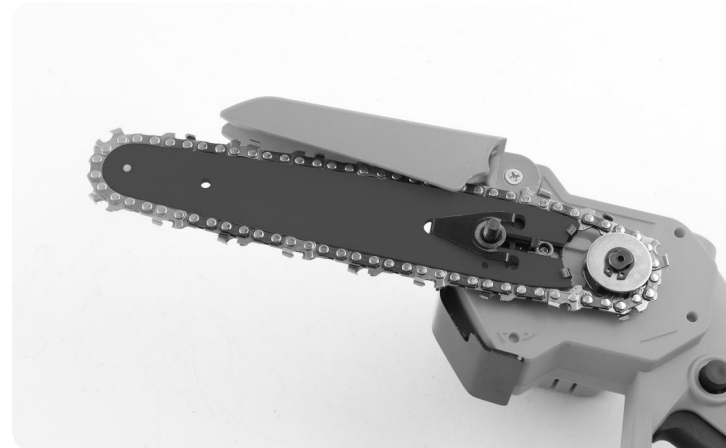
Step 6 After the guide bar is loose, the chain can be taken out directly



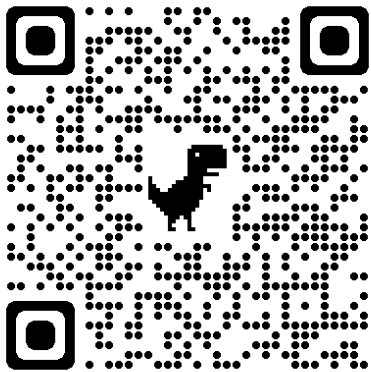
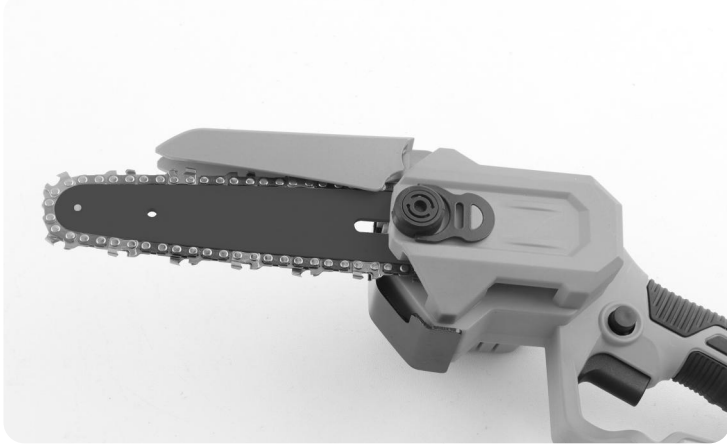
Step 7 install the new chain and notice the direction of the chain



Step 8 Reinstall the triangular saw press iron on the mini chainsaw guide bar and attach the side panel cover, attach the side panel cover clockwise spin the tool-free chain tensioning to adjust the tightness of the chain



Step 9 Insert the battery pack into the slot of bottom. check if the safety lock is locked and then you can use it



You can refer to the detailed installation chain video by scanning the QR code

! Caution:

- Always be sure that the tool is switched off and the battery pack is removed before installing or removing the saw chain.
- Always wear gloves when installing or removing the saw chain.
- Use a screwdriver to open the chain tension ring with light force upwards, Counterclockwise spin the chain tension ring, and remove the side panel cover and then remove saw chain and guide plate from the Mini Chainsaw

Maintenance, Storage and Disposal

- (1). Keep all nuts, bolts and screws tight to make sure that the product is in safe working condition.
- (2). Store the product only in a dry place. When not in use, store the machine in a place out of the reach of children.
- (3). Only use spare parts and accessories approved by the manufacturer.
- (4). Inspect and maintain the machine regularly. Have the machine repaired only by an authorized repairer. Replace worn or damaged parts.
- (5). Just use any ordinary lubricating oil to drip on connection of the chain and the guide plate to oil the electric cordless chainsaw.
- (6). Disconnect the battery pack from the machine before carrying out maintenance or cleaning.
- (7). To clean the tool, remove battery pack and use only dry cloth to clean the tool. Do not immerse tool in water or spray with a hose. Do not allow any liquid to get inside it. Do not clean with a pressure washer.
- (8). The battery must be removed from the appliance before it is scrapped.
- (9). The appliance must be disconnected from the supply mains when removing the battery. The battery is to be disposed of safely.

After-Sales Information

Remedy/Return Rules

(1). Natiddy will repair or replace (at Natiddy's option) any Natiddy product that fails to operate during 10 months from the date of purchase by the original consumer purchaser due to defect in workmanship or material. If a valid claim is made during the applicable period, Natiddy, at its option, will either replace the new product , or exchange the product with a new product that is of equal value. A replacement product assumes 90 days from the date of replacement. Customer is responsible for the return shipping costs.

(2). If the product exceeds 10 months warranty period, we can only replace a renewed item for you. The refurbished products that are inspected and tested to work and look like new.

Exclusions

Natiddy's warranty does not apply to (a) any product that is misused, abused, modified, damaged by accident, or used for anything other than normal consumer use as authorized in Natiddy's current product literature, or (b) any product purchased through an online auction house. Natiddy's warranty does not apply to the battery cell unless the battery cell is fully charged by you within 7 days after you purchase the product and at least every 6 months thereafter.

We only provide after-sales services for products that are sold by Natiddy or retailers and distributors authorized by Natiddy. If you have purchased your unit from other channels, please contact your seller for more information about return and warranty policy.

If any problems occur, please contact us for assistance. Please send email to the following email address for help: **service@natiddy.com**.

For more information about Natiddy, visit our official website at: **www.natiddy.com**.