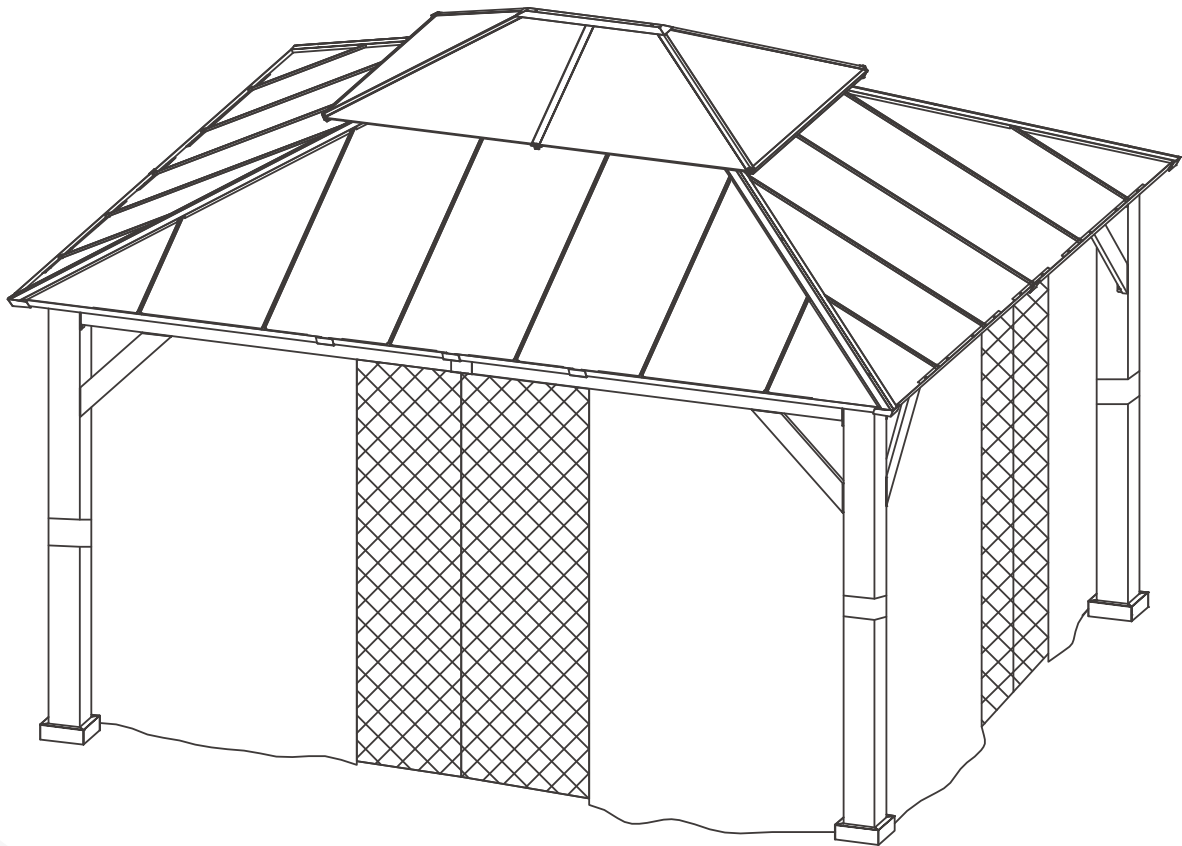




ITEM#
SGS-D00301-4

12'×14'

Alps Hardtop Gazebo with Double Roof



Assembly Manual



Thank you

Thank you for your purchase of Olilawn Gazebo and follow this assembly and operation guide.

To reduce personal injury and damage to your gazebo, please attach your gazebo curtain to the post when it is incoming over **20 mph** wind.

We recommend a **five-person team** for assembly and disassembly.

If you like our products,
please follow more.

The logo for Olilawn features a stylized 'O' composed of several dark green circles of varying sizes, followed by the word 'lilawn' in a bold, dark green, sans-serif font.

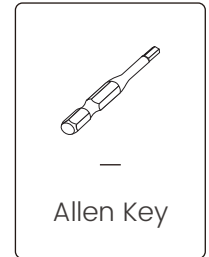
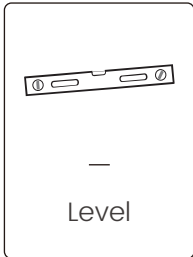
Warnings and Cautions

- Please retain this instruction for future usage and read carefully before assembly.
- Make sure you have all the parts & hardware as the item list shows.
- 5 adults or more are recommended to install your gazebo.
- Do not discard any of the packaging until you have checked that you have all the parts and pack of fittings.
- Check all bolts for tightness before use, and periodically check and tighten bolts to ensure your gazebo works properly.
- Some parts might have sharp edges/corners. Please follow basic safety precautions to reduce the risk of hurt.
- It is essential to place the gazebo on level ground and not less than 6 feet from any obstruction such as fences, garages, the house, overhanging branches, laundry lines, or electrical wires.
- Lastly, be careful the parts are not swallowed by pets and kids.

Pre-assembly

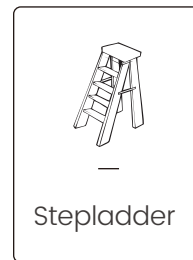
TOOLS THAT MAY BE REQUIRED (NOT included in the boxes)

*NOTE: Tools / equipment are not shown to actual size and scale



EQUIPMENT REQUIRED (NOT included in the boxes)

*NOTE: Equipment are not shown to actual size and scale



Matters needing attention

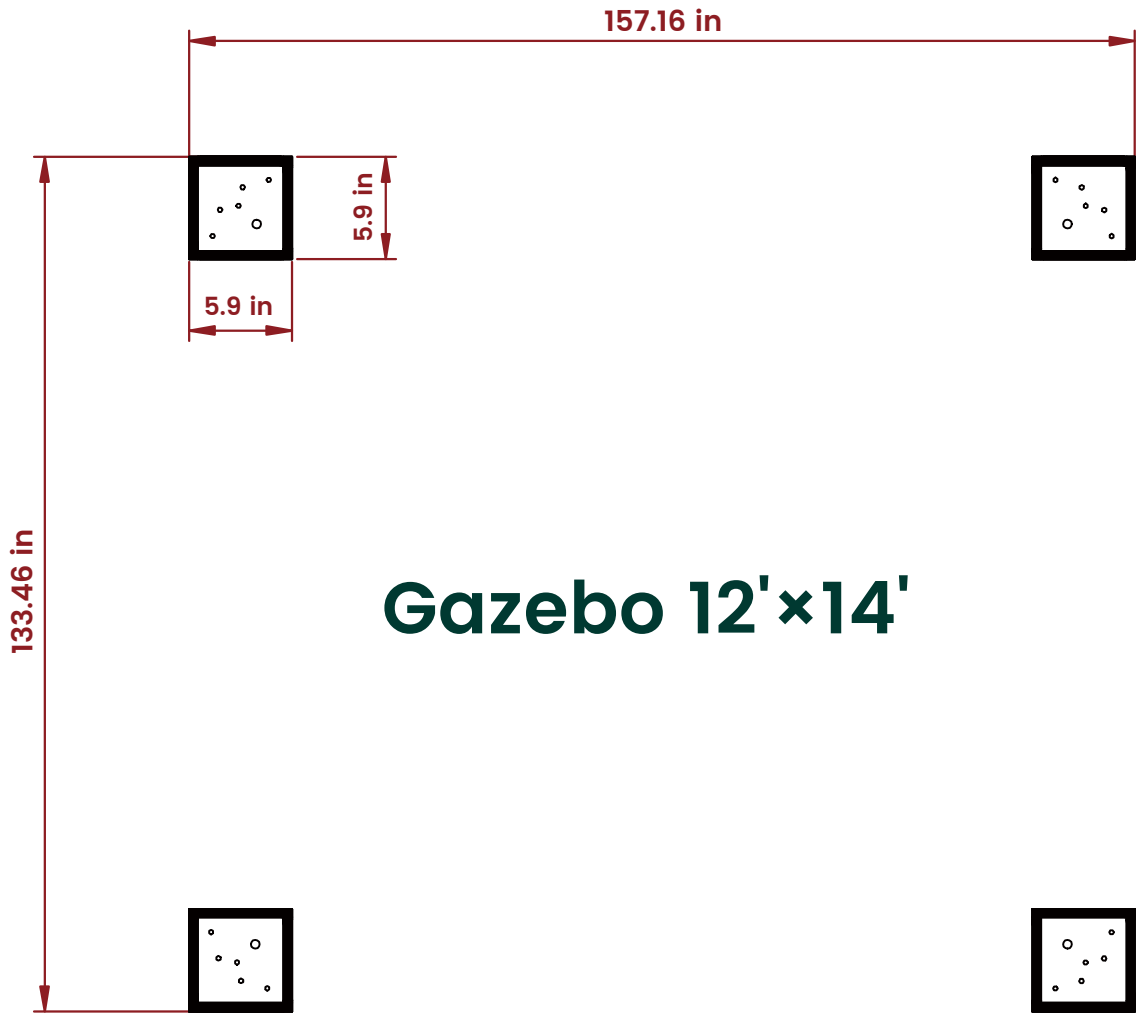


Five or more people are required for assembly.

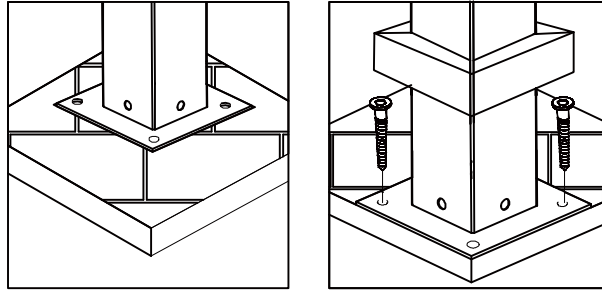


Do not fully tighten screws prior to complete assembly.

Mounting Blueprint

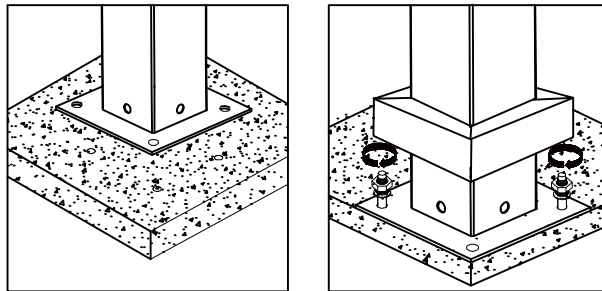


1



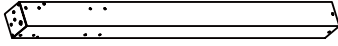
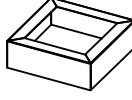
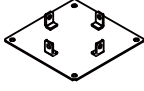



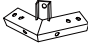


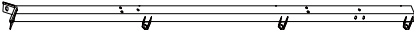
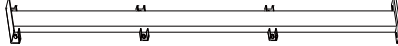

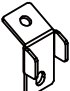


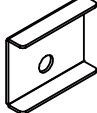
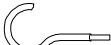
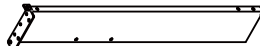
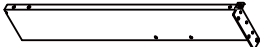
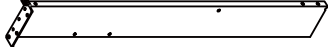
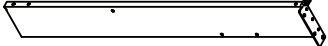

If the deck is hard wood, you can use M6×80 expansion bolts to mount the gazebo.
(Not included in the parts)















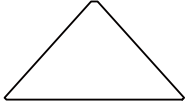
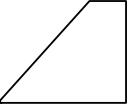
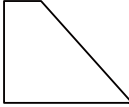
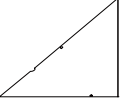
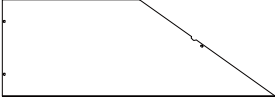



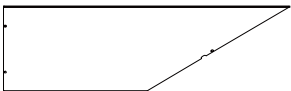
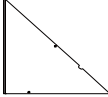
2

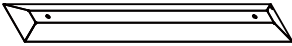


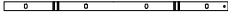

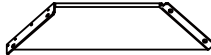
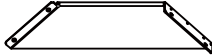
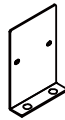
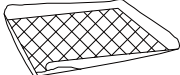



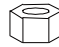


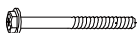



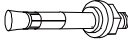
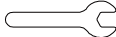


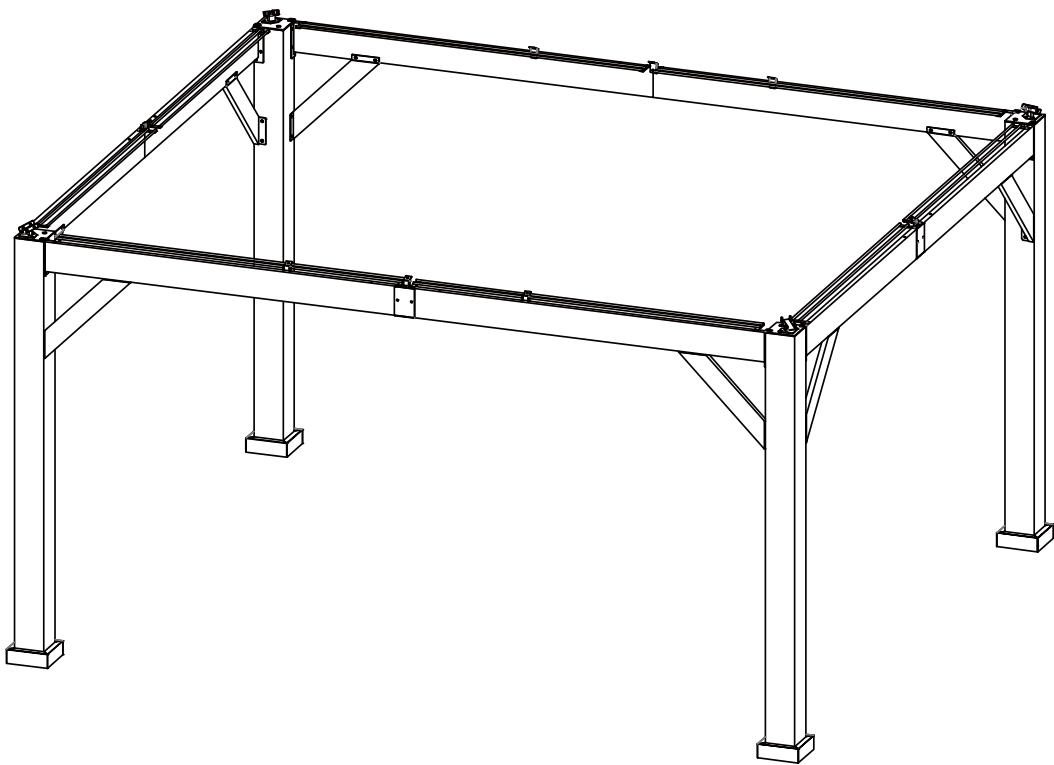
If the ground is concreted, you can use M6×80 hexagon bolt to mount the gazebo.

Checklist

1	 A x4	 B2 x4	 C2 x4	
	 D2 x1	 E4 x2		
	 E5 x2	 E6 x4	 F5 x4	 F6 x2
	 G1 x4	 H1 x8		
	 I x4	 J3 x8	 J5 x8	 J6 x4
	 J7 x2	 P x1	 K1 x2	
	 K2 x2	 K3 x2		
	 K4 x2	 L1 x2		

	 <p>L2 x2</p>	 <p>L3 x2</p>	
 <p>L12 x4</p>	 <p>L13 x4</p>	 <p>L14 x4</p>	 <p>L15 x4</p>
 <p>L16 x4</p>	 <p>L17 x2</p>	 <p>L18 x2</p>	 <p>L19 x2</p>
 <p>L20 x8</p>	 <p>L21 x4</p>	 <p>M1 x4</p>	 <p>M2 x4</p>
 <p>P1 x2</p>	 <p>P2 x2</p>	 <p>P3 x2</p>	 <p>Q10 x4</p>
 <p>Q11 x4</p>	 <p>Q12-1 x2</p>		
 <p>Q13 x4</p>	 <p>Q14 x4</p>		
 <p>Q15 x4</p>	 <p>Q16 x4</p>		

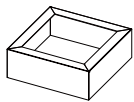
 R x1	 R9 x4		
 S4 x2	 S5 x8	 S6 x2	 T1 x4
 T2 x4	 Y x4	 U-1 x4	 V-1 x4
 AA x8 ST5 x 15	 BB x8 M6	 DD x8 M6	 FF x288 M6 x 20
 GG x70 M6 x 15	 JJ x8 M6 x 55	 PP x8 D8 x 180	 QQ x10 M6 x 40
 HH x120	 UU x8 M6 x 80	 Z1 x2 M6	



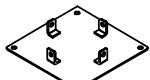
STEP 1



A x4



B2 x4

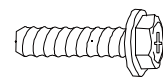
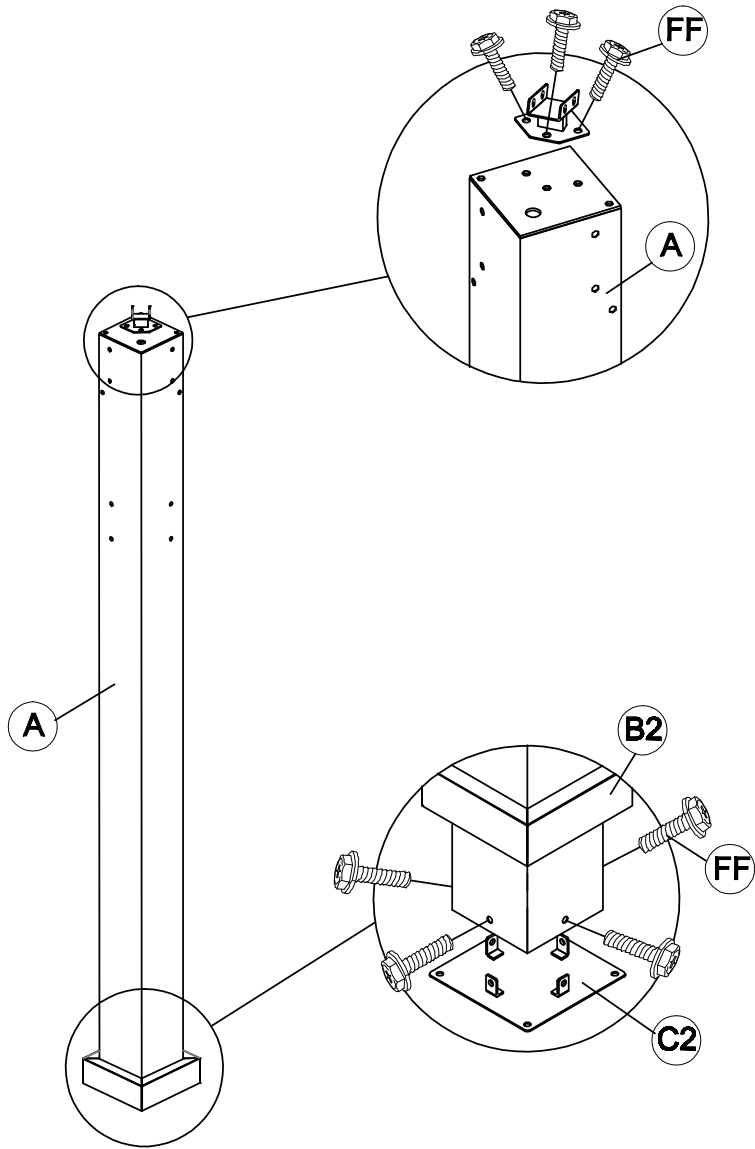


C2 x4

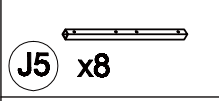
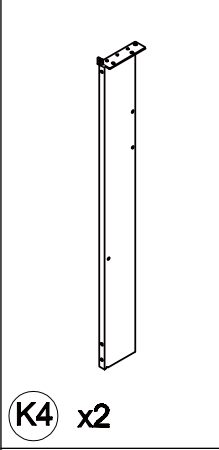
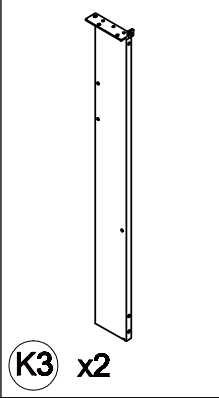
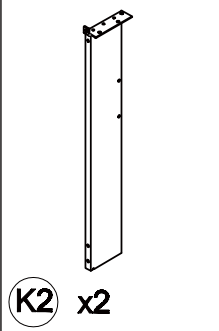
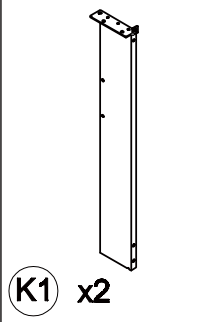


I x4

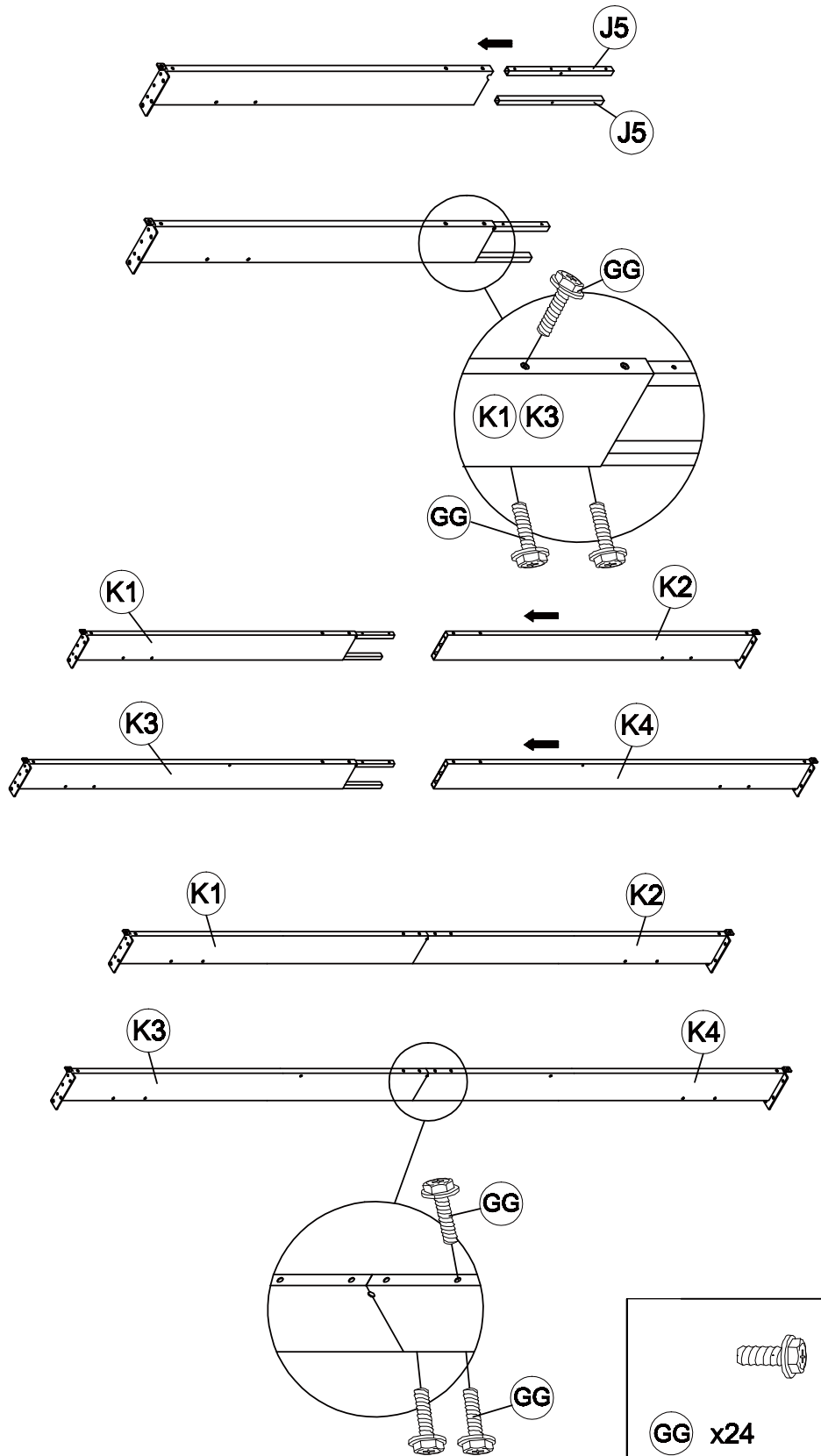
STEP1-1



FF X28

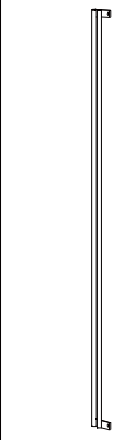


STEP1-2

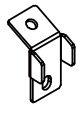




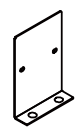
M1 x4



M2 x4

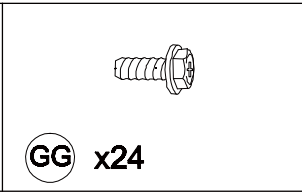
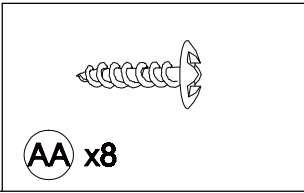
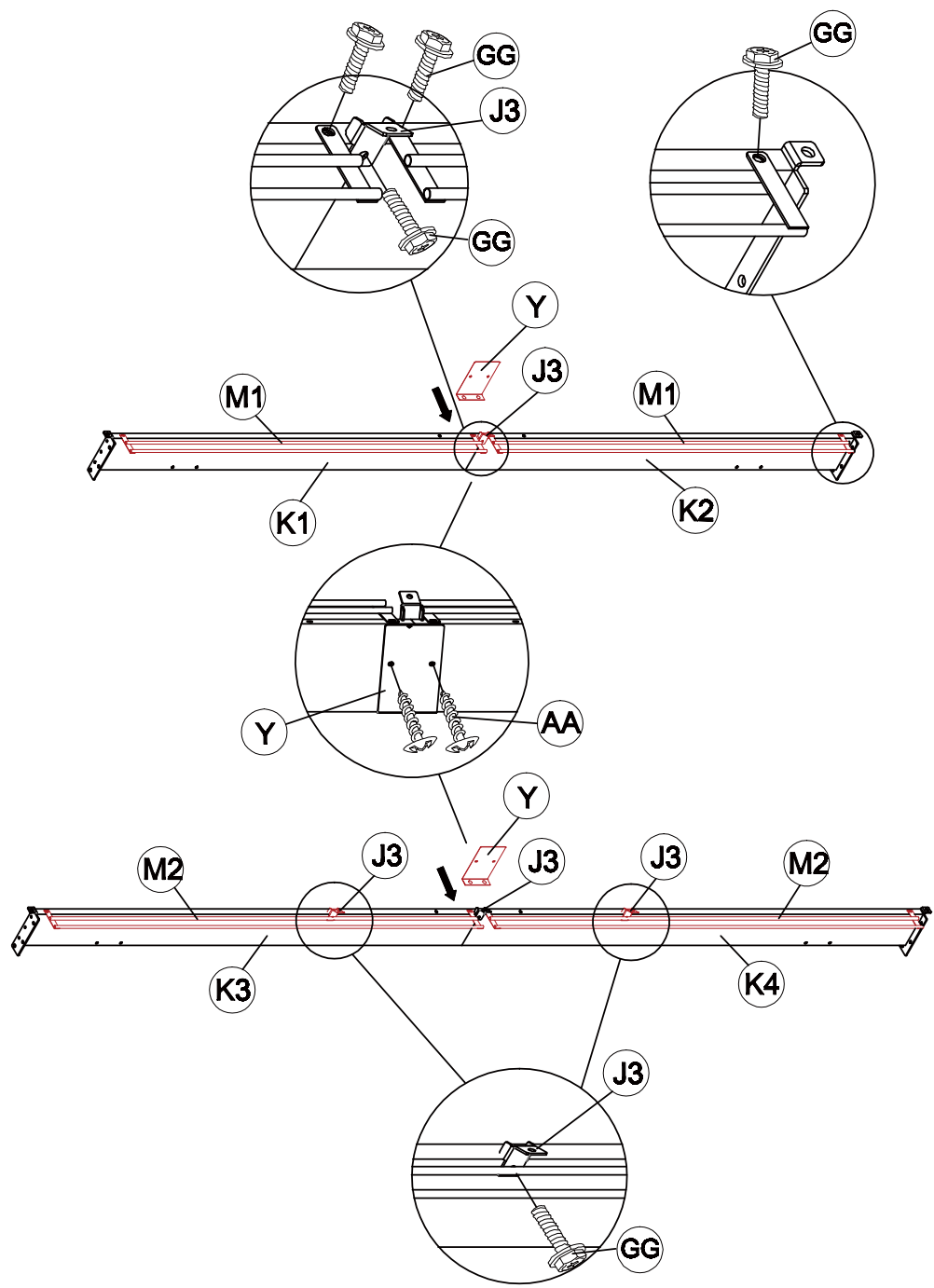


J3 x8



Y x4

STEP1-3

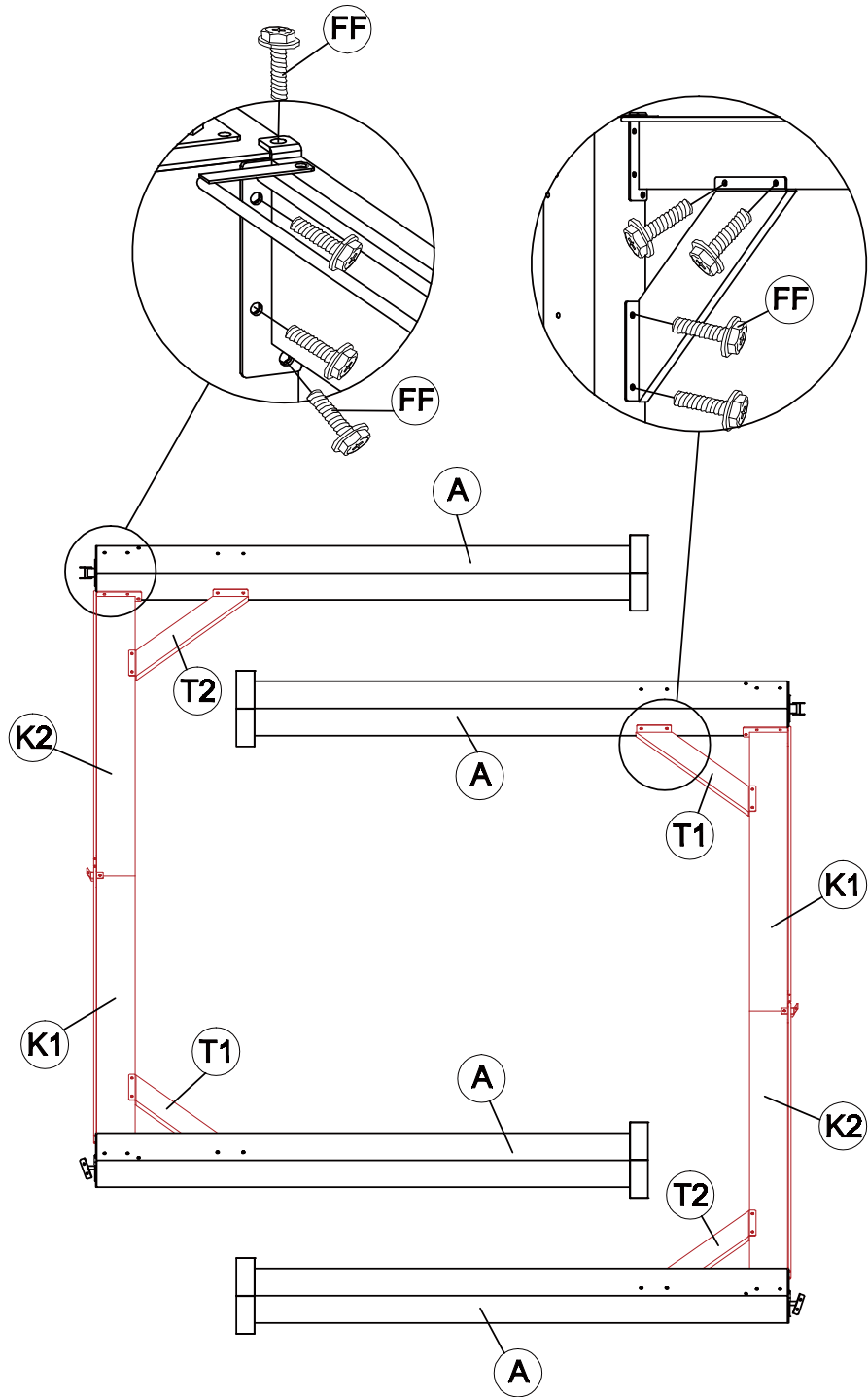




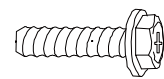
T1 x2



T2 x2



STEP1-4



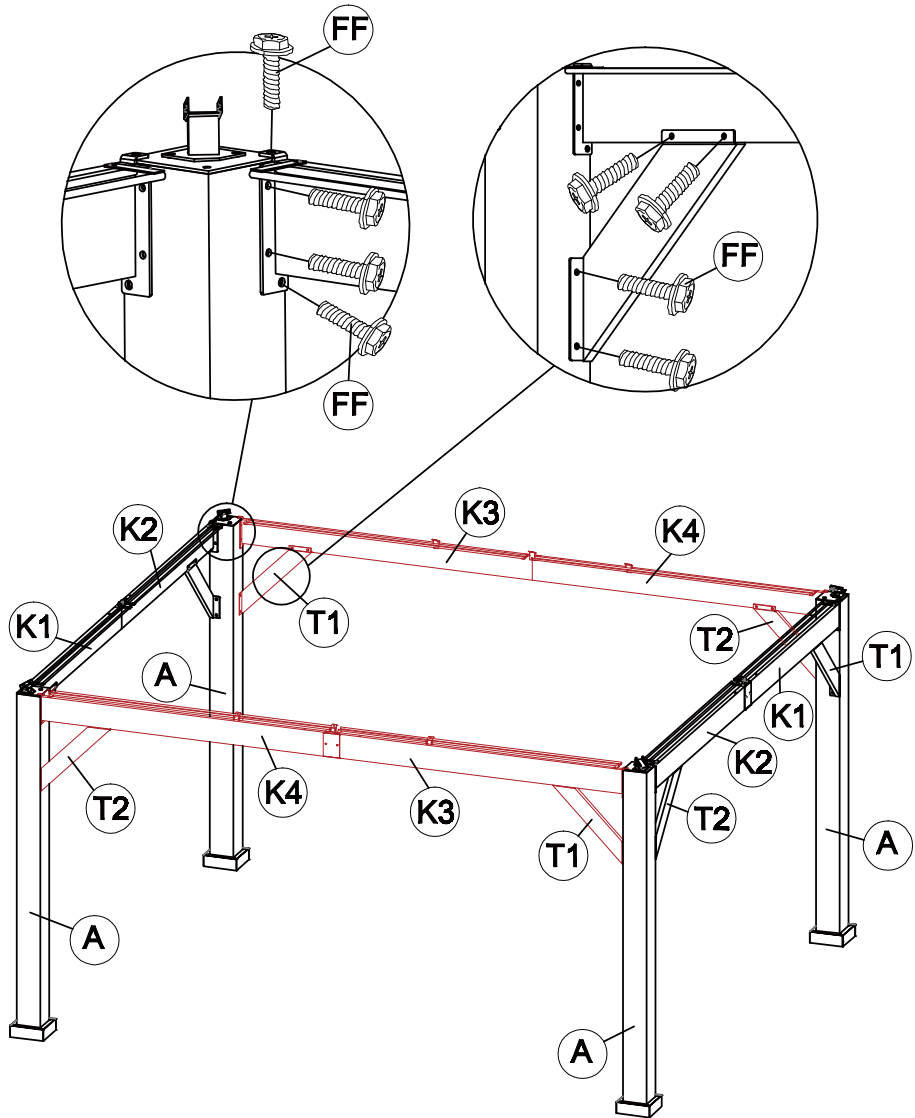
FF x32



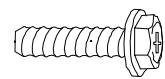
T1 x2



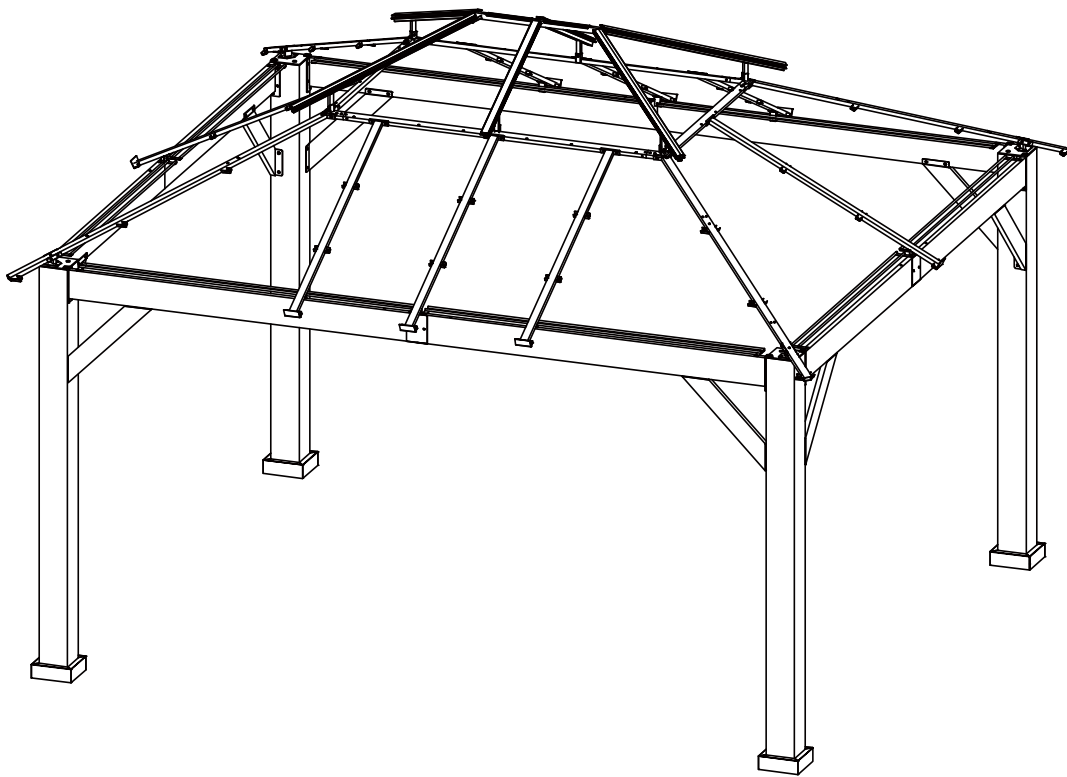
T2 x2



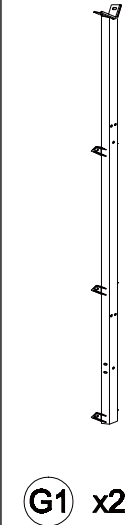
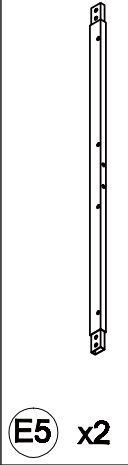
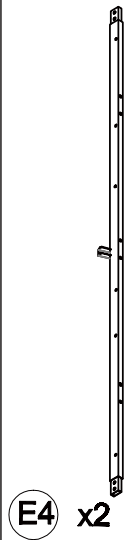
STEP1-5



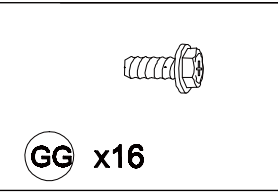
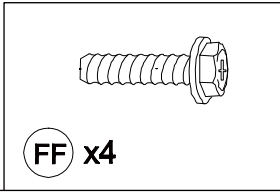
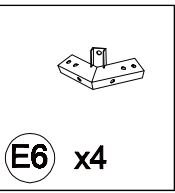
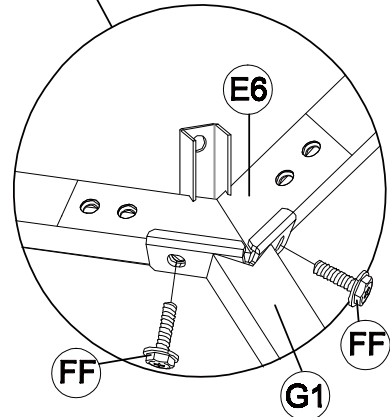
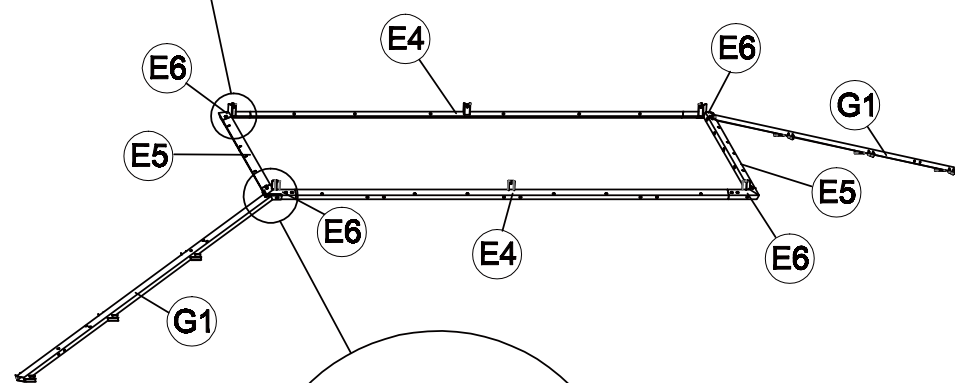
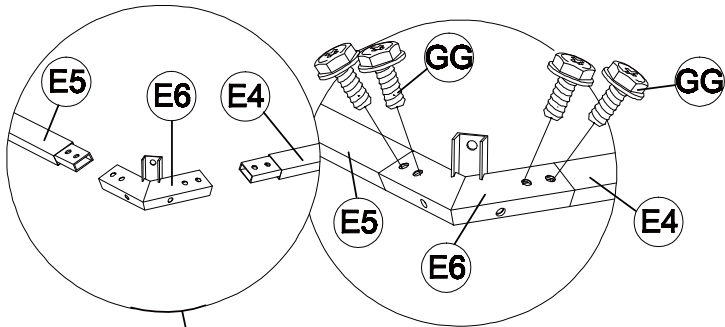
FF x32

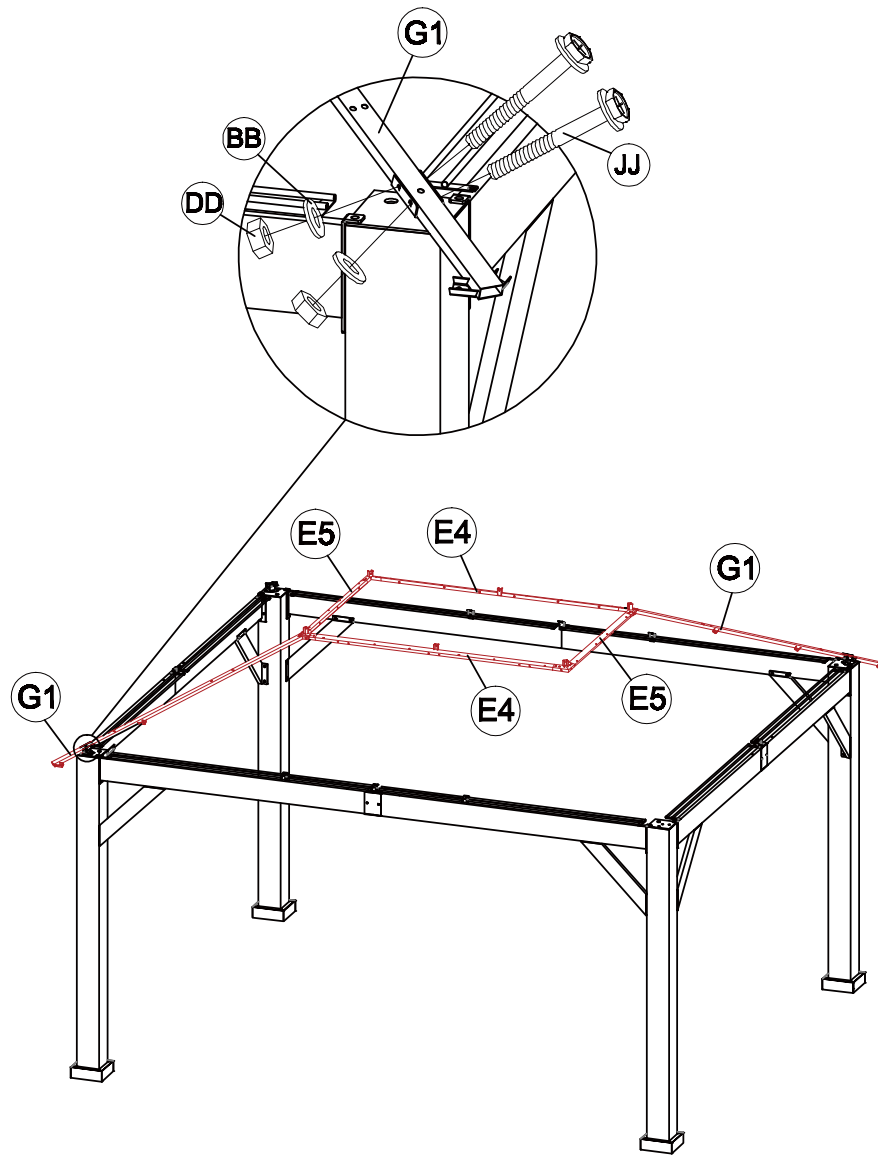


STEP 2



STEP2-1





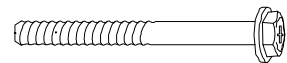
STEP2-2



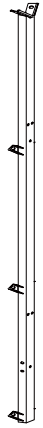
DD 4x



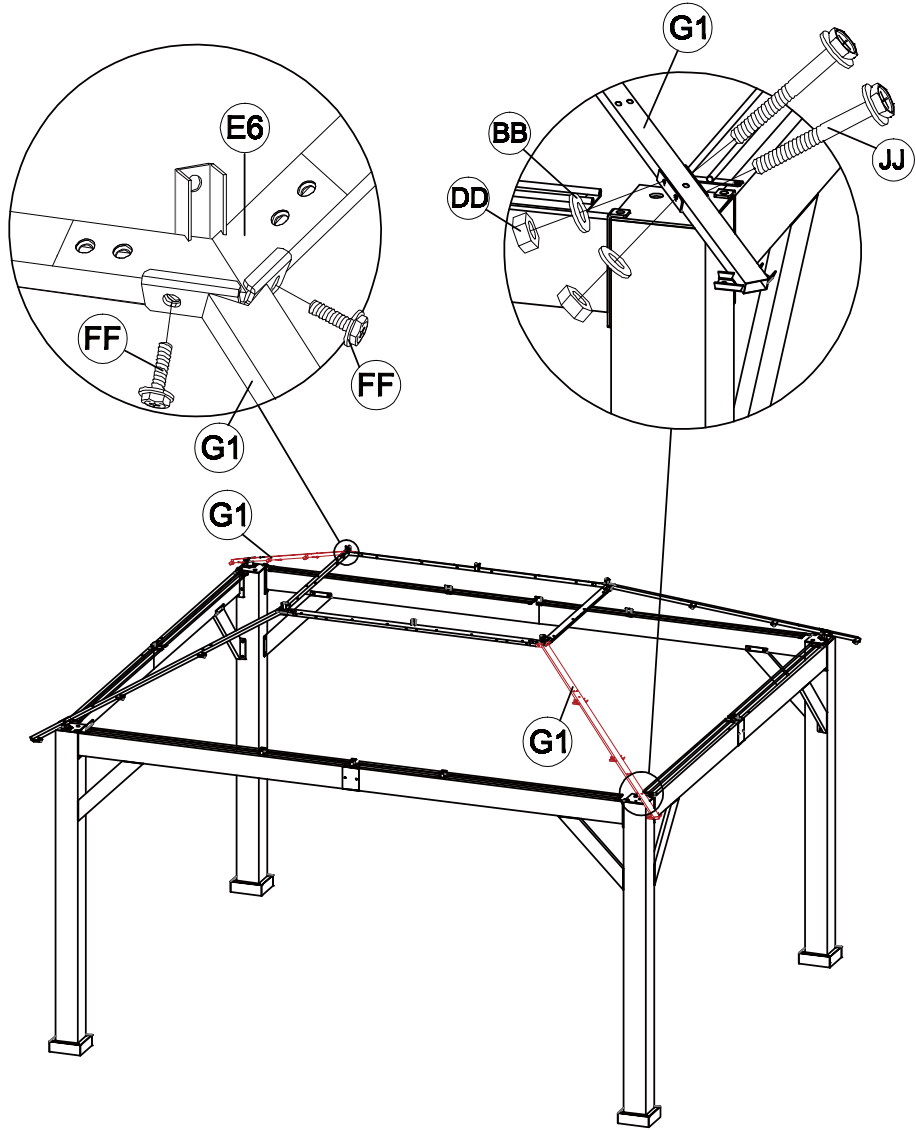
BB 4x



JJ 4x



G1 x2



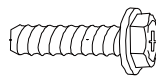
STEP2-3



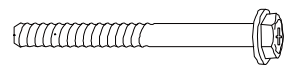
DD x4



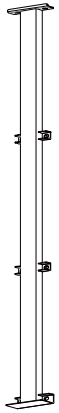
BB x4



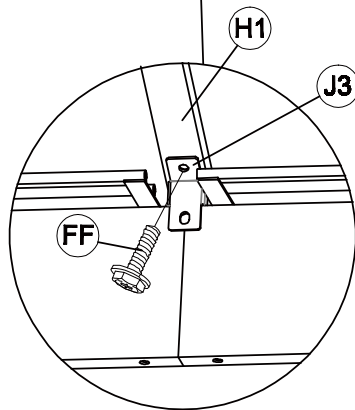
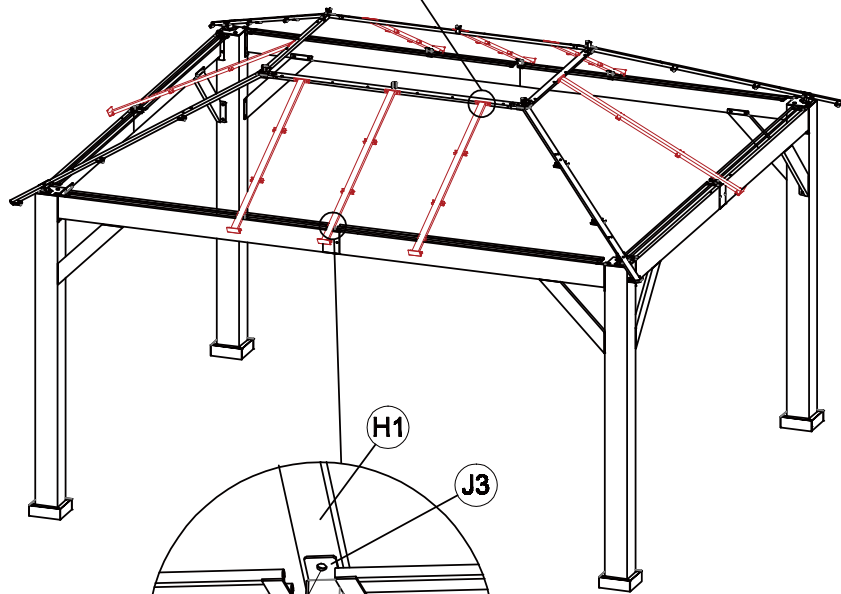
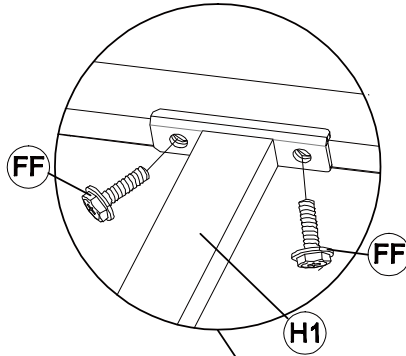
FF x4



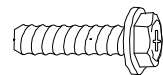
JJ x4



H1 x8



STEP2-4



FF x24



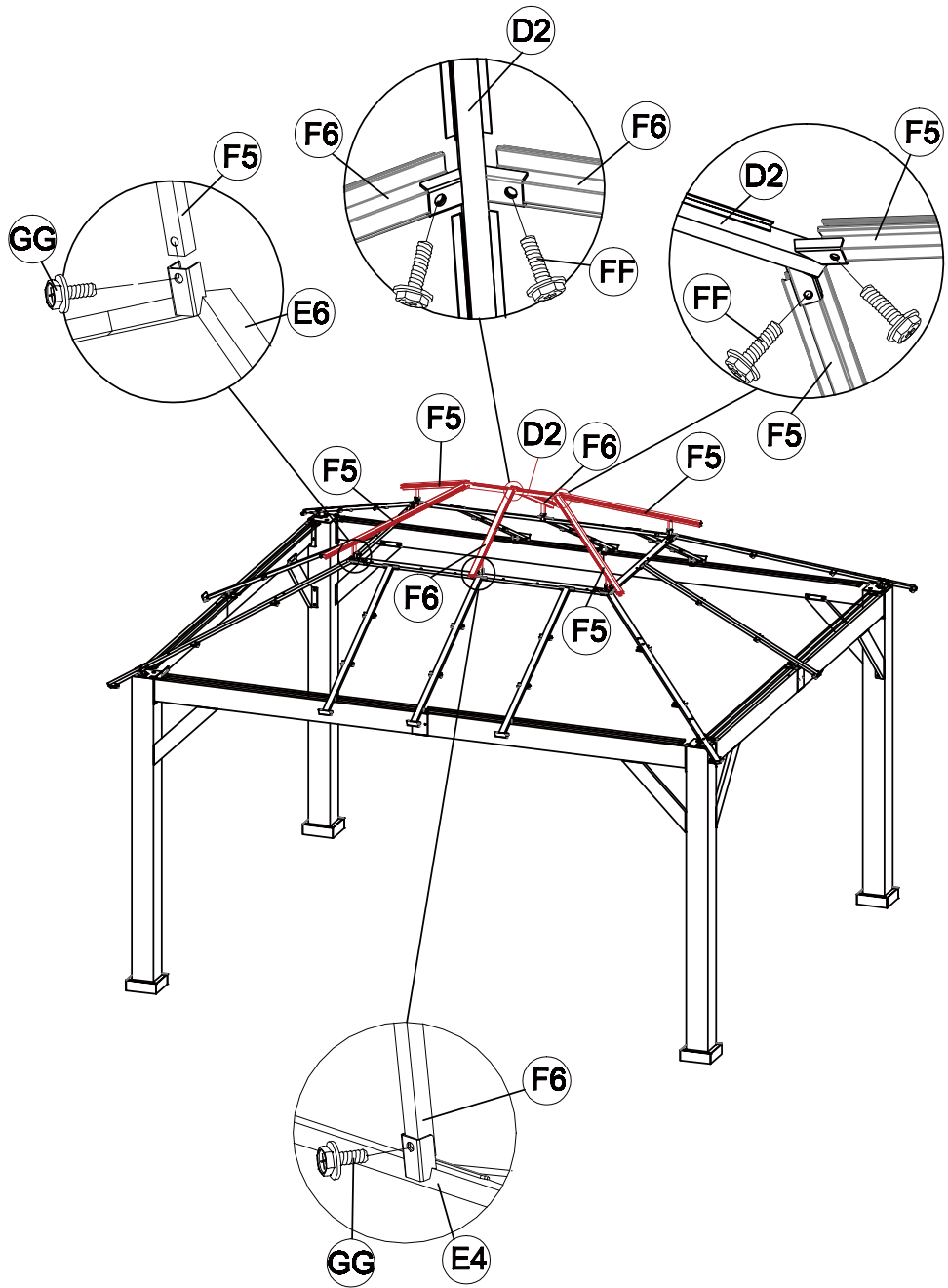
D2 x1



F5 x4



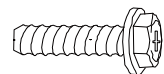
F6 x2



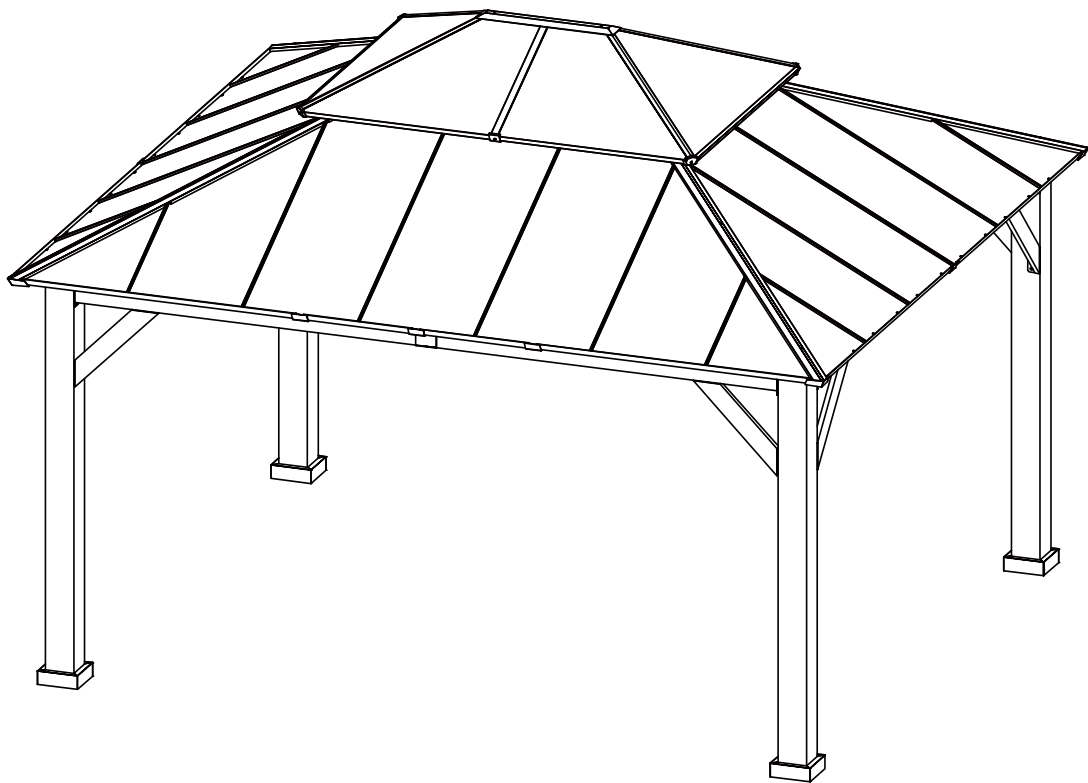
STEP2-5



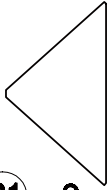
GG x6



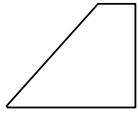
FF x6



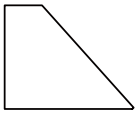
STEP 3



P1 x2



P2 x2



P3 x2



L1 x2



L2 x2

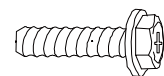


L3 x2

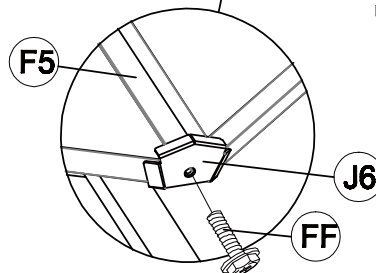
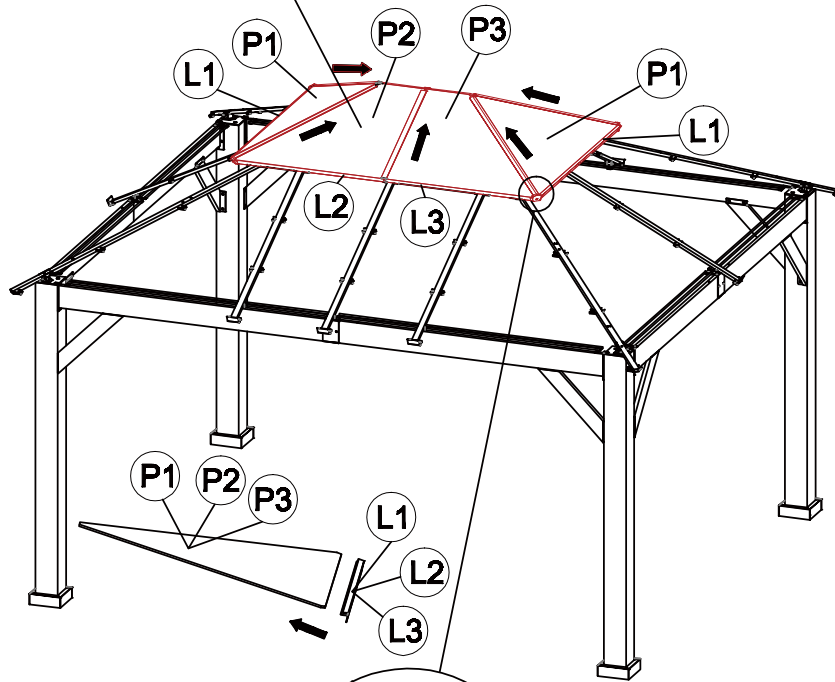
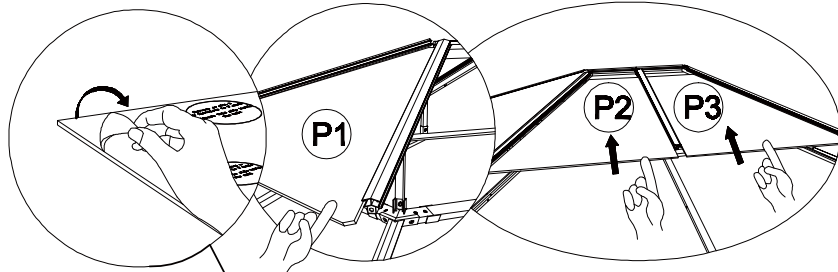
STEP3-1



J6 x4

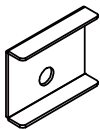


FF x4





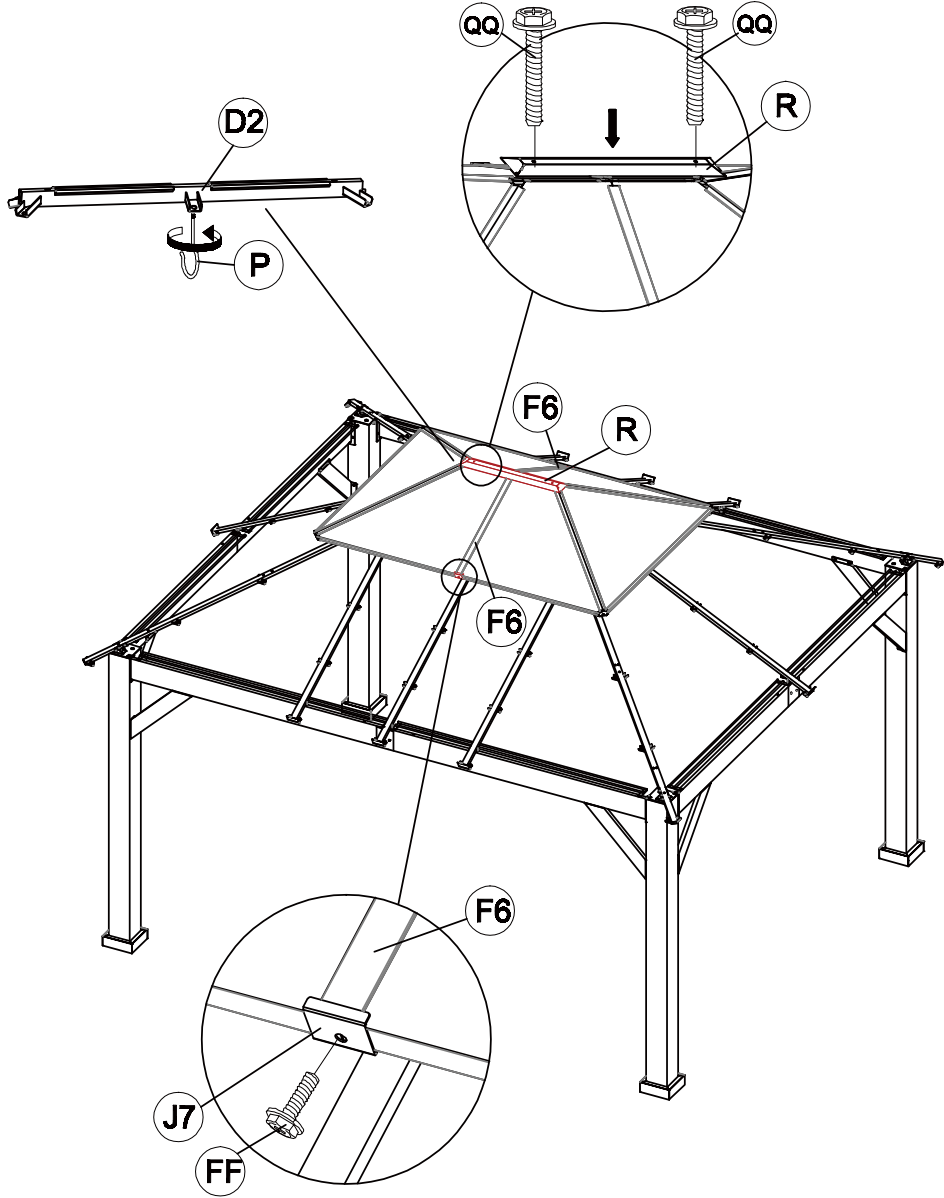
R x1



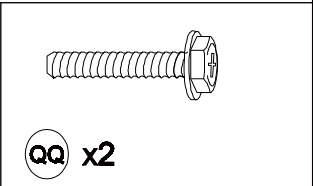
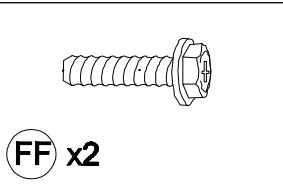
J7 x2

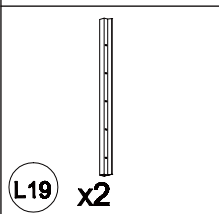
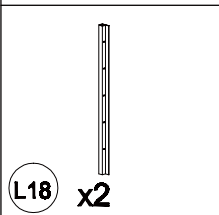
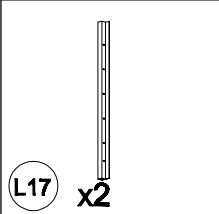
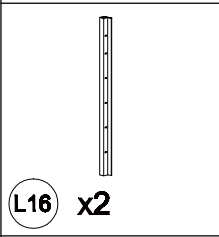
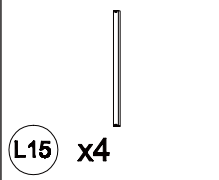
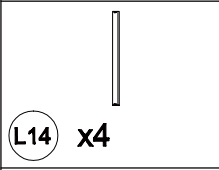
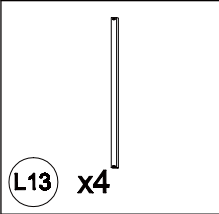
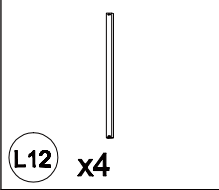


P x1

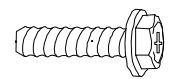
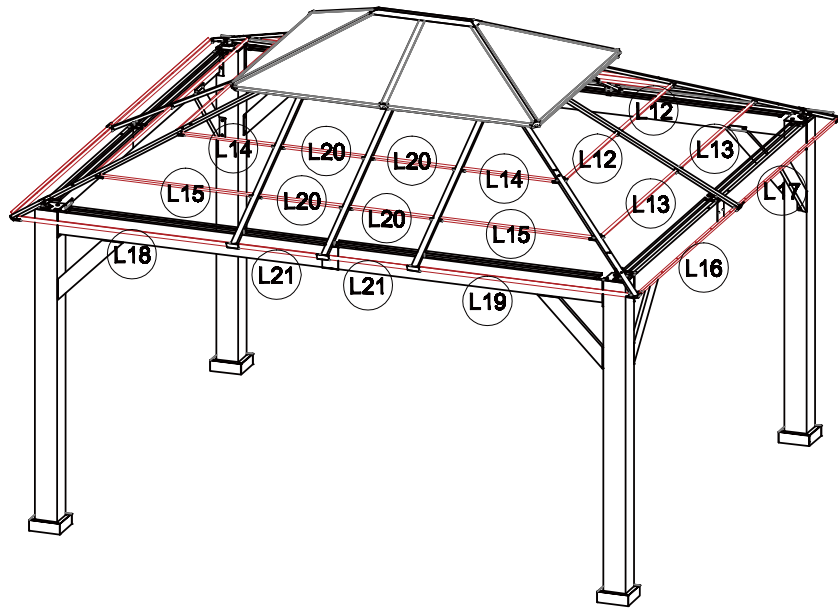
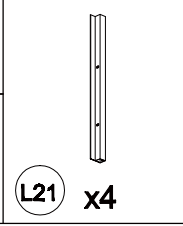
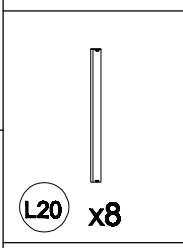


STEP3-2

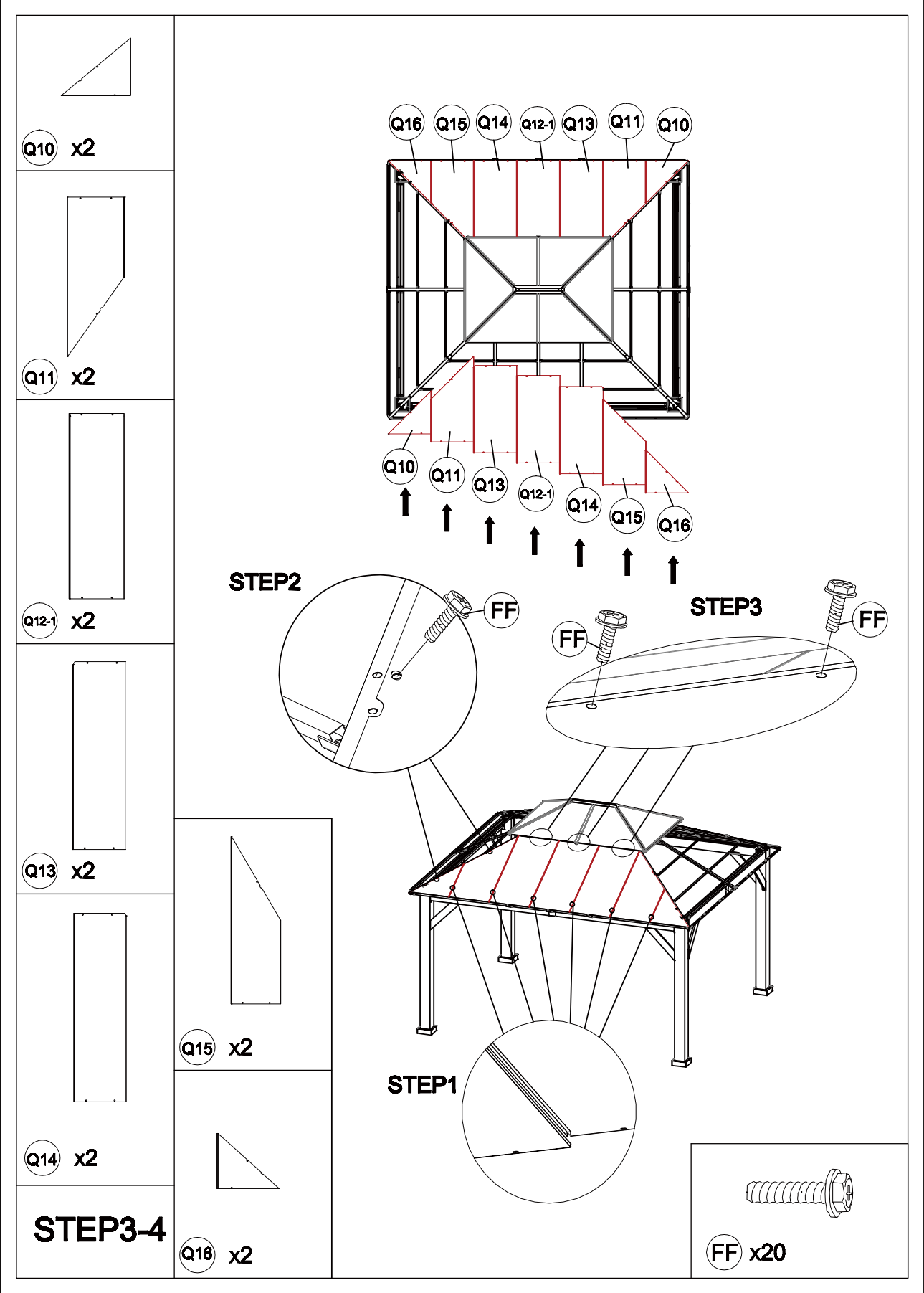


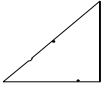


STEP3-3

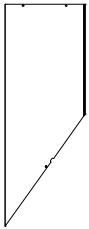


FF x72

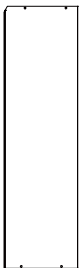




Q10 x2



Q11 x2



Q13 x2



Q14 x2

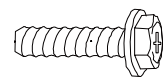
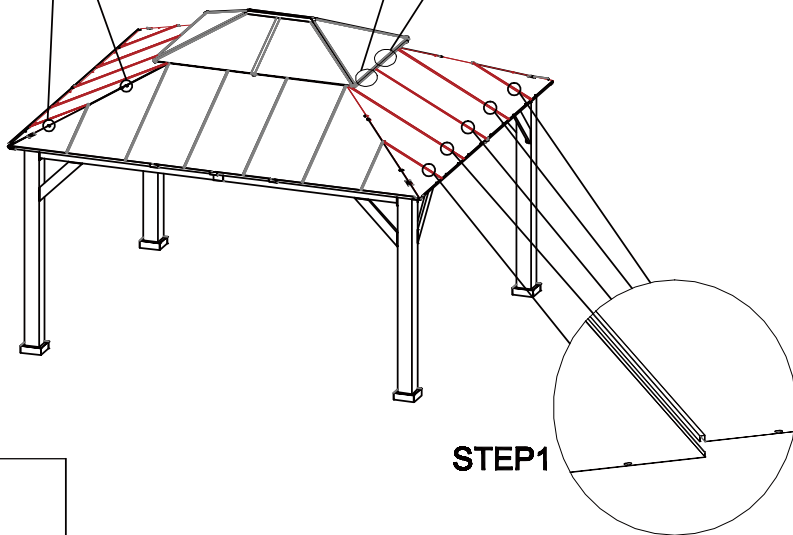
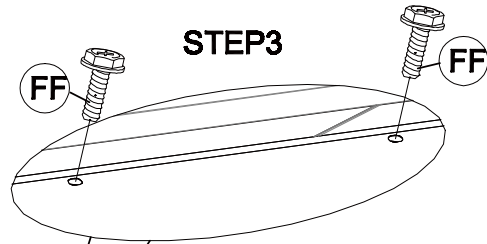
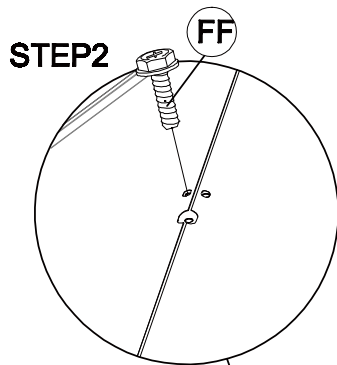
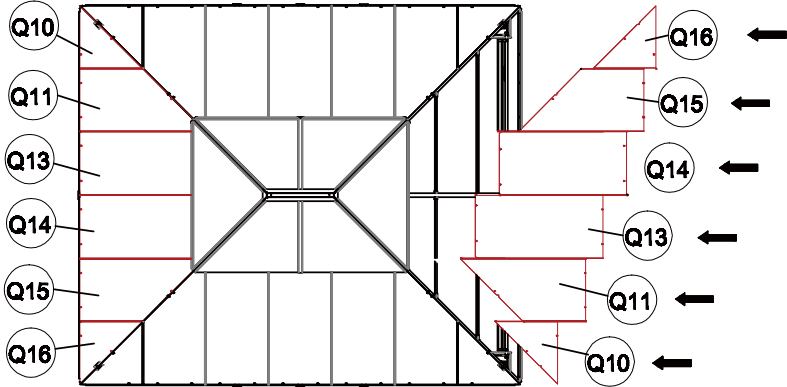


Q15 x2

STEP3-5



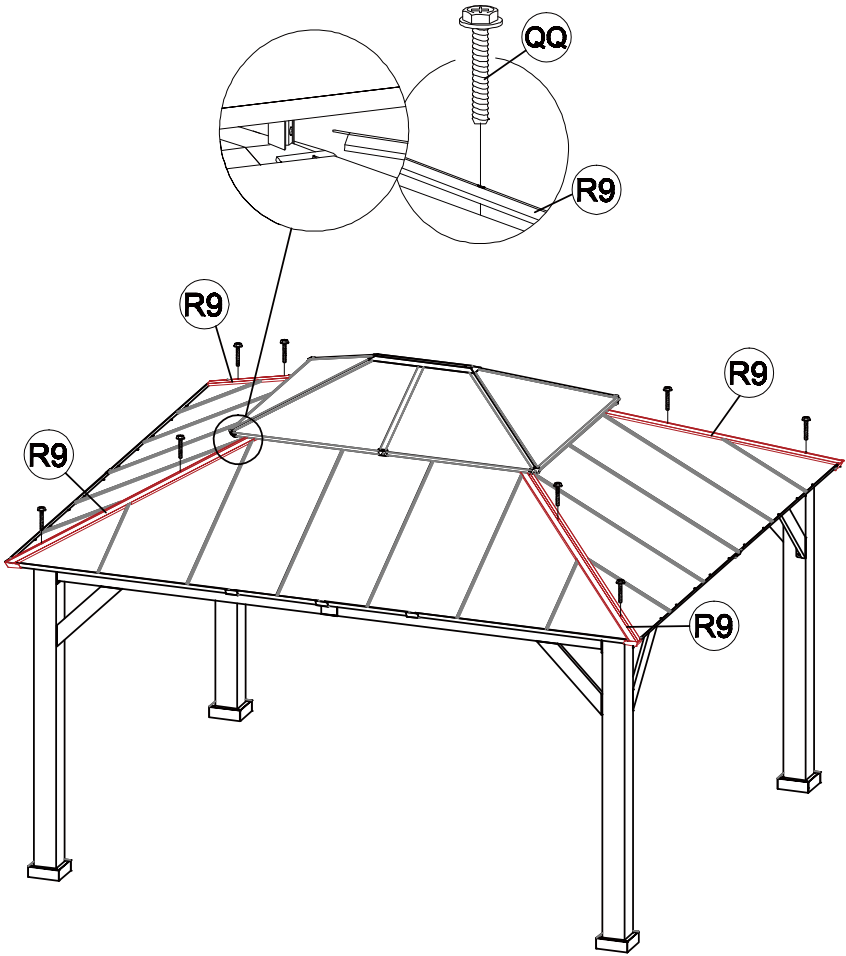
Q16 x2



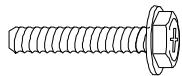
FF x16



R9 x4



STEP3-6



QQ x8



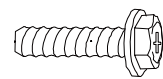
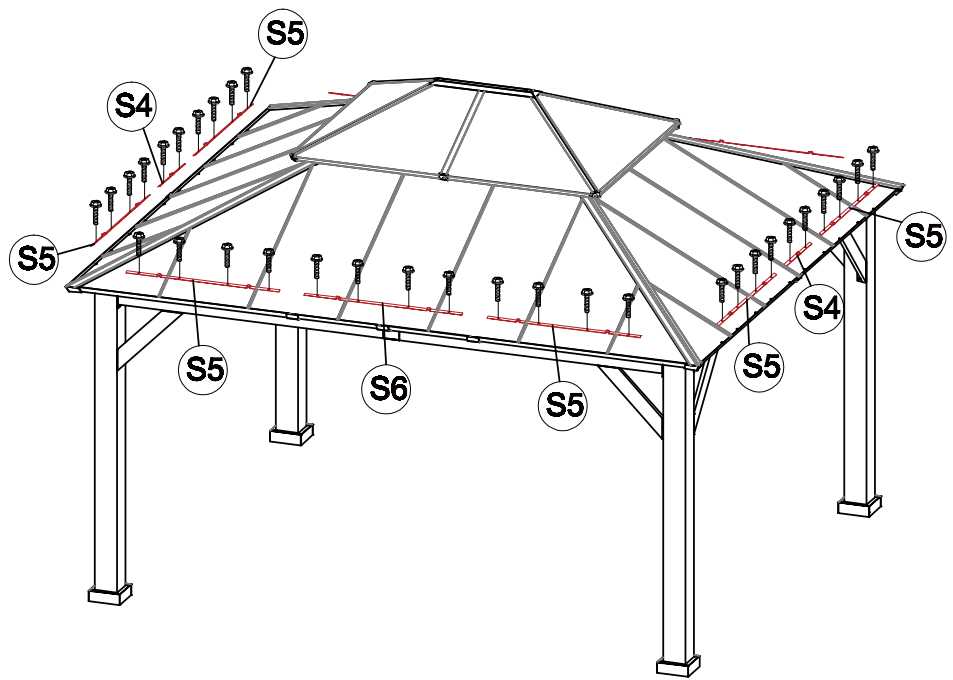
S4 x2



S5 x8

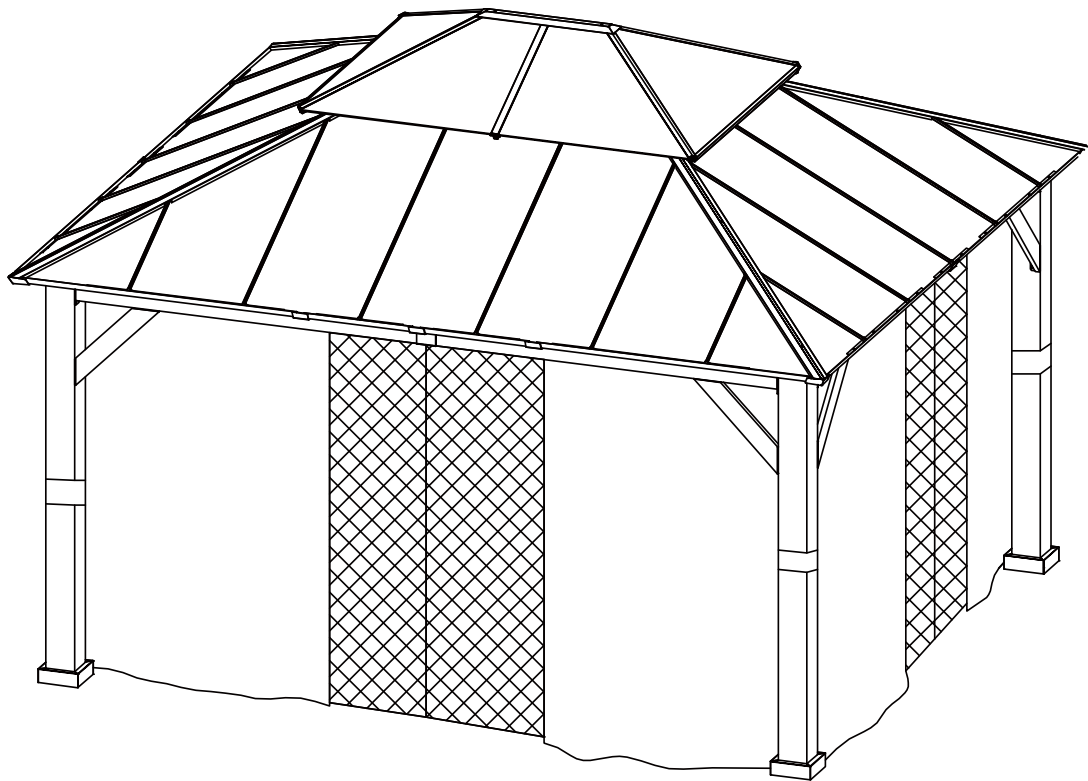


S6 x2

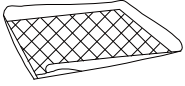


FF x44

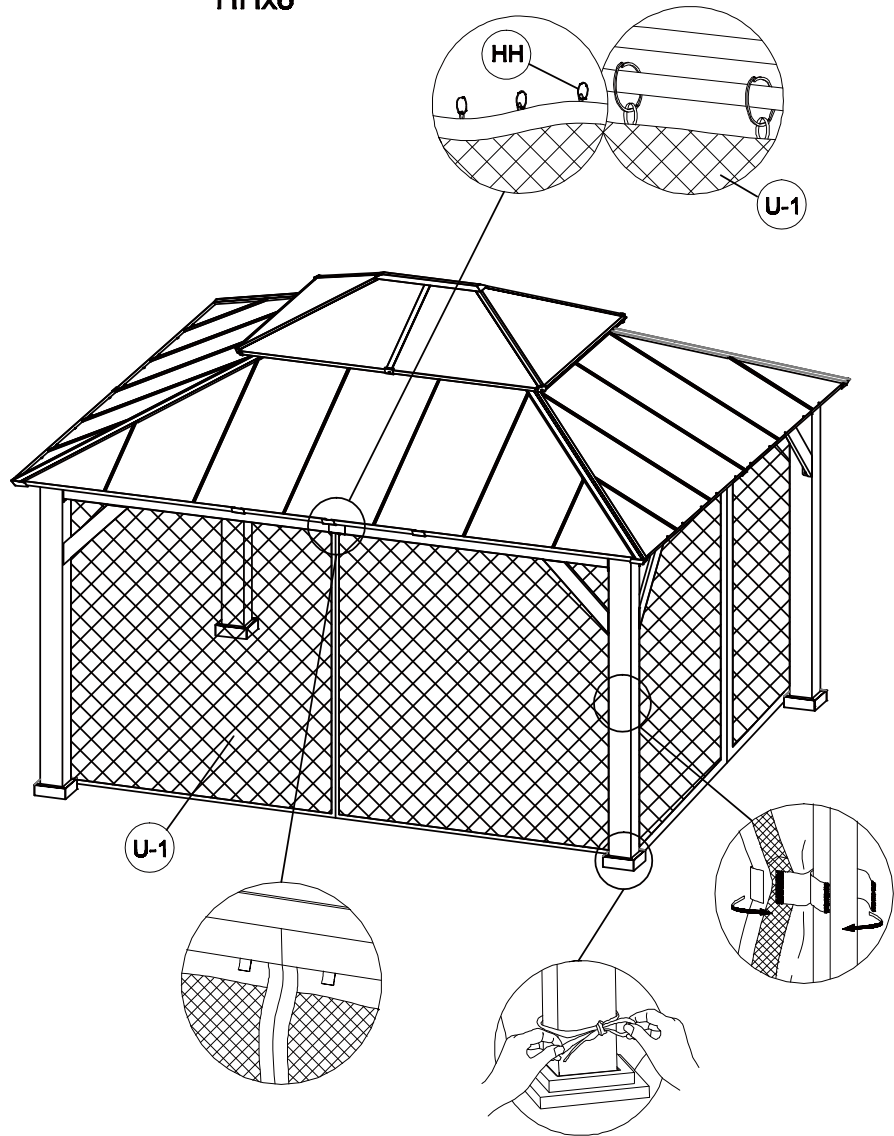
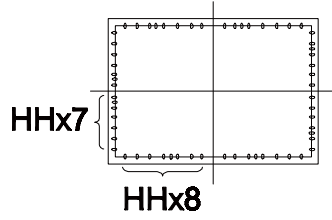
STEP3-7



STEP 4



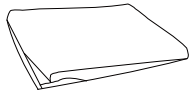
U-1 4x



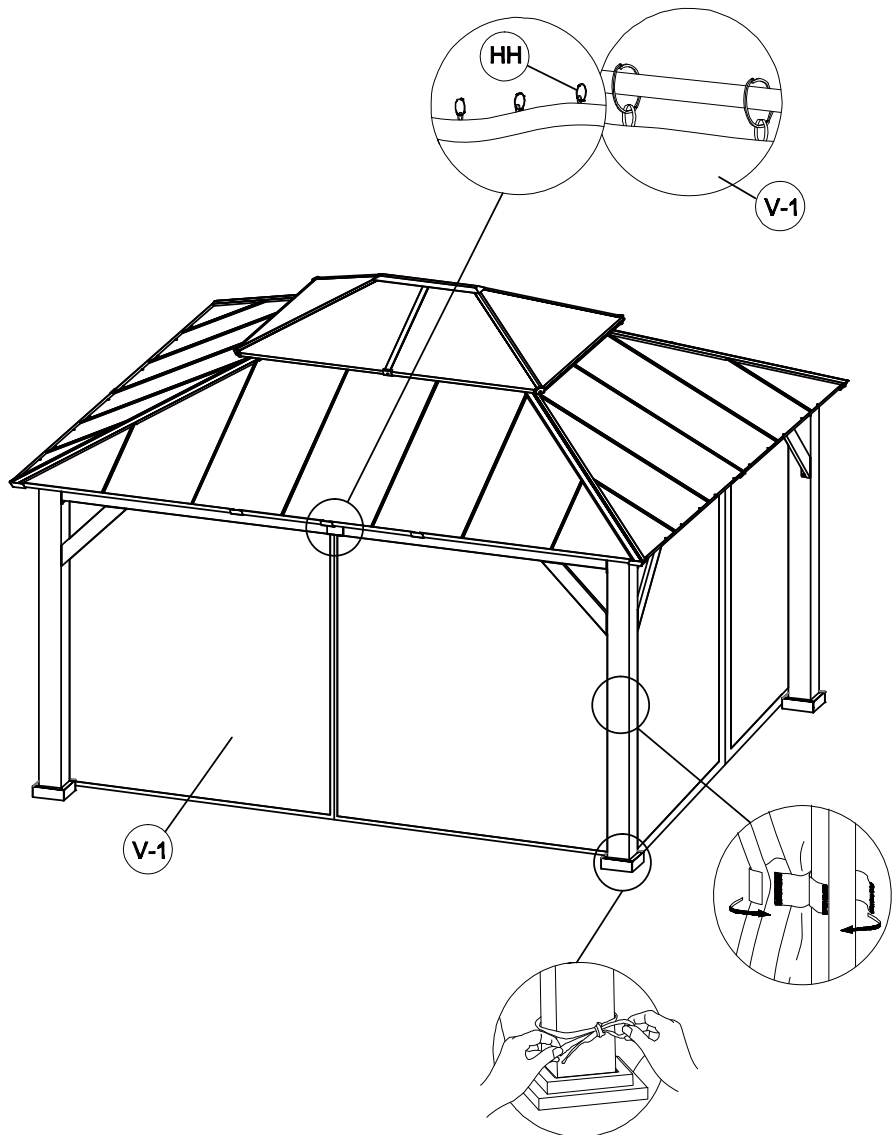
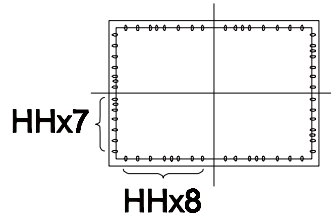
STEP4-1



HH 60x



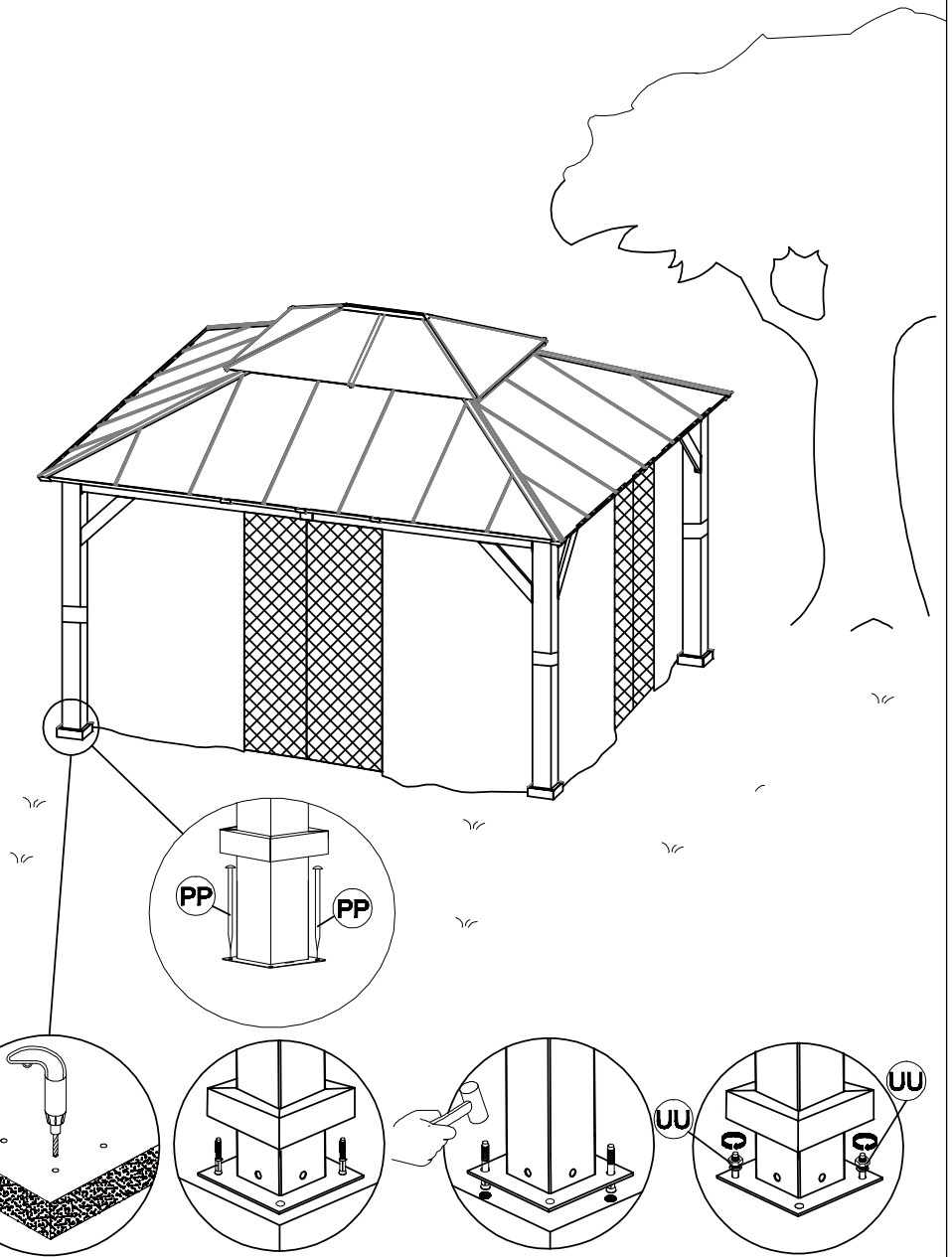
V-1 4x



STEP4-2

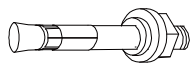


HH 60x



STEP4-3

UU x8

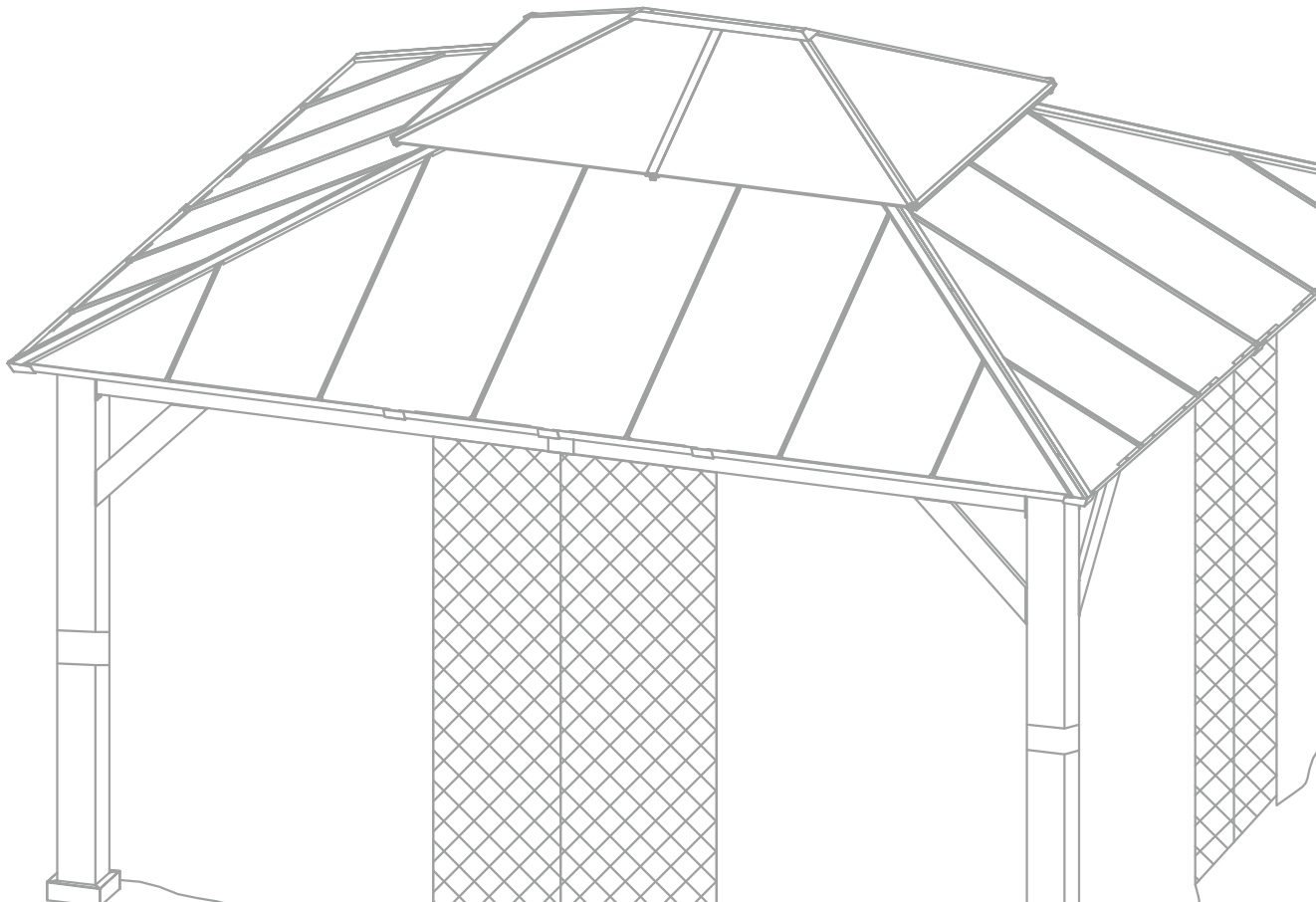


PP x8



Care and Cleaning

- Wash frame parts and fabric with mild soap and water, rinse thoroughly.
- Dry the frame completely and allow the fabric to drip dry.
- Do not use bleach, acid, or other solvents on the fabric or frame parts.
- Please inspect and tighten all bolts or fasteners on a regular basis to ensure the proper performance and safety of your gazebo.



Warranty

One Year Warranty

Frames

Frames constructions are warranted to be free from defects in material and workmanship for 1 year from item purchased. Damage to frame from negligence won't be covered by this warranty.

Bolts & nuts

Bolts and nuts are warranted to be free from defects in material and workmanship for 1 year from item purchased. Damage from exposure to chemicals (including not only oils ,spills, fluids) won't be covered by this warranty.

Curtains & Netting

Curtains and netting are warranted to be free from defects in material and workmanship for 1 year from item purchased. Damage from exposure to chemicals (including but not only oils, spills, fluids) won't be covered by this warranty.

Warranty Limitation

This warranty is for the original purchase order only. (Order number required). This warranty is non-transferable. Olilawn is responsible for the free replacement part including shipping charges for the 1 year warranty.

Warranty Exclusion

This warranty does not cover products subject to negligence, abuse usage, inappropriate installation, extreme weather condition. Olilawn reserves the right to explain warranty exclusions. When the replacement item is applied, the 1 year warranty automatically expires. Please feel free to contact us for applying warranty.



 **Website**
www.oilawn.com

 **Contact**
support@oilawn.com

 **Address**
Room 1003, No.209, Baoyuan Road, Baoan District, Shenzhen

 **Copyright**
Copyright © Shenzhen Xinfeng Innovation Technology Co., Limited

