



DIFFRIENT SMART

Ideal for any designed environment, Diffrient Smart features aesthetics that are as minimal visually as the chair is functional. And, with its signature weight-sensitive recline, body-fitting Form-Sensing Mesh Technology and unique tri-panel backrest, Diffrient Smart adapts to every user, every time. Diffrient Smart is also available in the Plus version for a wider seat and with support for up to 400lbs.

DIFFRIENT SMART Features & Characteristics



BODY FIT

Size adjustable to fit more than 95% of the population

CUSHION PAN, BACK FRAME, FIVE-ARM BASE

Injection-molded, structural, integral color plastics

EXTERNAL FRAME

Die-cast aluminum with powder coating

FIREPROOFING

CAL 133-approved: optional fireproof barrier between textile and foam

SELF-ADJUSTING RECLINE

- Intelligent counter-balance recline mechanism automatically provides the right amount of support through the full range of recline motion, regardless of user size and weight
- No tension springs to adjust
- No recline locks to set/release
- During recline, the angle between torso and legs opens up for better body function
- User maintains near-constant eye level during recline

PIVOTING BACKREST

- Extra motion of the backrest during recline automatically adjusts to the changing needs of the spine
- Provides additional lumbar support as needed

FORM-SENSING MESH

- Tri-panel, non-stretch mesh construction creates body-fitting contours and self-adjusting lumbar support for a customized fit
- No external lumbar devices to adjust, break or lose
- Low-abrasion mesh protects clothing
- Modular for easy replacement

ARMREST OPTIONS

- Armless
- Fixed armrests
- Height-adjustable armrests with 5" range of adjustment
- 4D height-adjustable armrests with adjustable armpads (standard on Diffrient Smart Plus)

CONTOURED CUSHIONS

- Carefully sculpted to match body contours
- Increased contact area reduces pressure points
- Modular for easy replacement
- 2" thick cushions on Diffrient Smart with a 19.25" seat width
- 3" thick cushions on Diffrient Smart Plus with a 22" seat width

CYLINDER

- Standard cylinder provides seat height range that accommodates 95% of the population
- Optional low cylinder for small users
- Optional high cylinder for very tall users

BASE

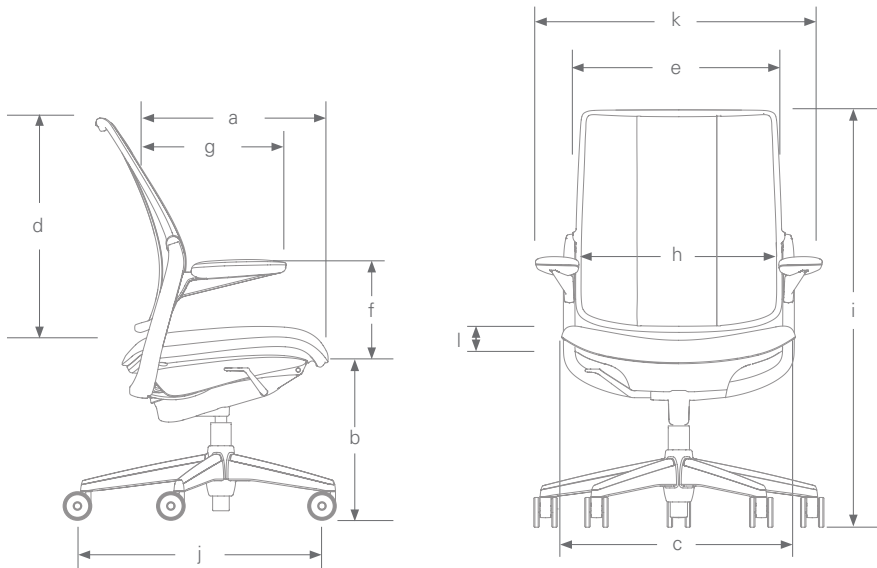
- Plastic base (standard on Diffrient Smart)
- Aluminum base (standard on Diffrient Smart Plus)

CASTER OPTIONS

- Standard 3" casters for carpeted floors
- Optional soft casters for hard floors



DIFFRIENT SMART Specifications



SCOPE OF USERS
<ul style="list-style-type: none"> • Conference/Task chair fits 95% of the office population <ul style="list-style-type: none"> - 5'0" (152cm) Woman to 6'4" (193cm) Man - 100 to 300 lbs. (45.4kg - 136kg) • Diffrient Smart Plus <ul style="list-style-type: none"> - 100 to 400 lbs. (45.4kg - 181kg) • Users outside the standard height range can be accommodated by Low or Tall Cylinder
WEIGHT
<ul style="list-style-type: none"> • 34 lbs. with arms • 31 lbs. without arms
TILT AND RECLINE
<ul style="list-style-type: none"> • 18° recline plus 8° backrest tilt
REFERENCE ANGLE BETWEEN SEAT AND BACK
<ul style="list-style-type: none"> • 93° to 124°

CODE	DESCRIPTION	Diffrient Smart	Diffrient Smart Plus
a	seat depth (from face of lumbar to front of seat)	16.25" - 18.75"	17" - 19"
b	seat height (from floor to compressed front center of seat cushion)	16.5" - 20.75" standard cylinder chair 14.875" - 17.875" low-cylinder chair 17.625" - 22.625" tall-cylinder chair 20.75" - 28.25" 8" high-cylinder chair 17.125" - 19.75" 3" return to height cylinder chair 17.375" - 22.125" 5" return to height cylinder chair	17.5" - 22.75" standard cylinder chair 17.0" - 20.5" Low-Cylinder Chair 18.0" - 23.25" TALL-Cylinder Chair (5") 21.0" - 28.5" HIGH-Cylinder Chair (8") 17.25" - 19.63" Return to height Cylinder (3")
c	seat width	19.25"	22"
d	backrest height (from seat cushion to top of backrest)	22.50"	22.50"
e	backrest width	19"	19"
f	armrest height (from compressed seat cushion to top of armrest)	8.75" fixed 5" - 9.6" adjustable and 4D Arms	5.75" - 10.25" 4D (4D armrests only)
g	armrest length (from face of lumbar to front of armrest)	8.75"	8.75"
h	distance between armrests	18.50" fixed and adjustable 18" - 20" 4D arms	18" - 20" 4D arms (4D armrests only)
i	height	39" - 43.25" standard cylinder chair 37.5" - 40.5" low-cylinder chair 17.625" - 22.625" tall-cylinder chair 43.75" - 51.25" 8" high-cylinder chair 39.625" - 42.25" 3" return to height cylinder chair 39.875" - 44.625" 5" return to height cylinder chair	40" - 44.8" standard cylinder chair 40" - 43.5" low-cylinder chair 41" - 46" tall-cylinder chair 40.3" - 42.5" return to height cylinder chair
j	base diameter	26"	26"
k	chair width	26.5"	26.5"
l	cushion thickness	2"	3"