

Sage Collection by Simon James



SIMON JAMES

Furniture & Lighting

47 Normanby Road
Mt Eden
Auckland 1024
Ph +64 9 377 5556

simonjames.co.nz

SIMON JAMES

With its integrated door-pull detail, the Sage Collection by Simon James provides visual structure through repetition. Available in both cupboard and soft-close drawer units with optional veneer back on request, the Sage offers exceptional storage capacity for its footprint; making it equally suitable for the home or office.

Made in New Zealand



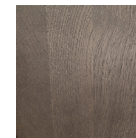
Mist



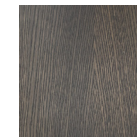
Natural
Oak



Smoked
Oak



Bark



Dark
Almond



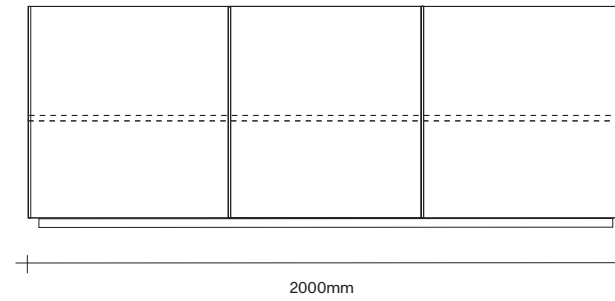
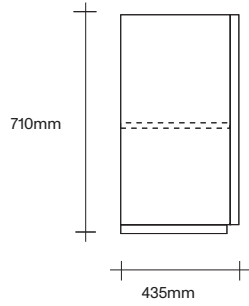
Black

47 Normanby Road
Mt Eden
Auckland 1024
Ph +64 9 377 5556

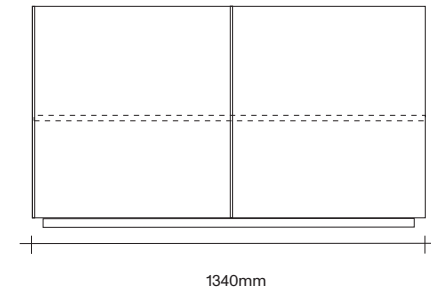
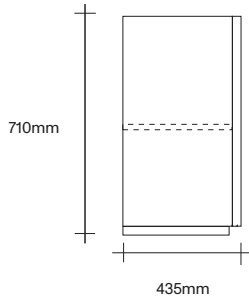
simonjames.co.nz

Sideboard Dimensions

SIMON JAMES



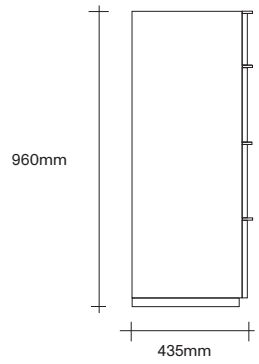
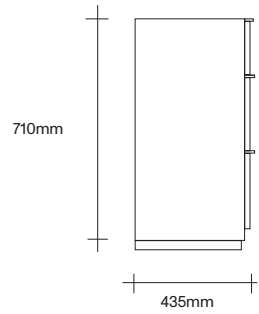
3 Cupboard Sideboard



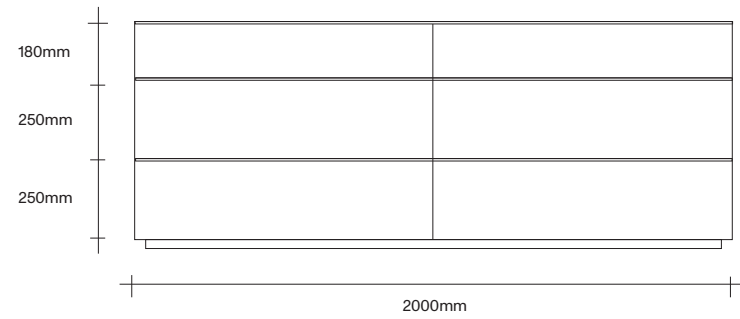
2 Cupboard Sideboard

Optional full veneer back on request.

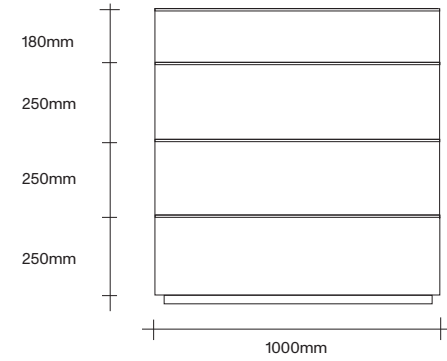
Drawer Dimensions



SIMON JAMES



6 Drawer Unit

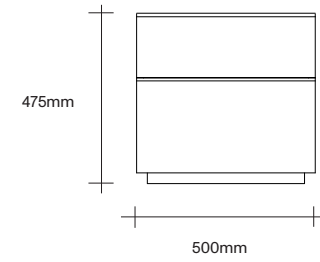
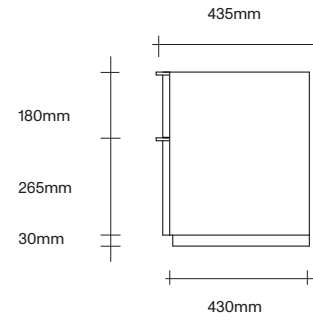
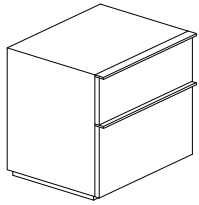


4 Drawer Unit

47 Normanby Road
Mt Eden
Auckland 1024
Ph +64 9 377 5556

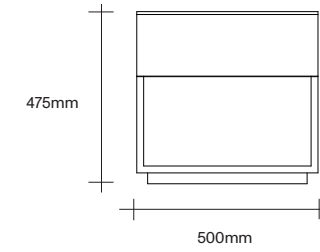
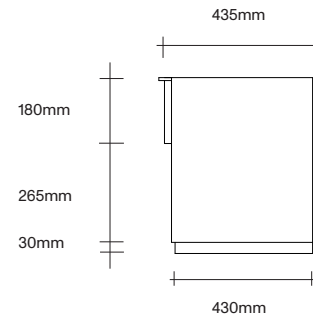
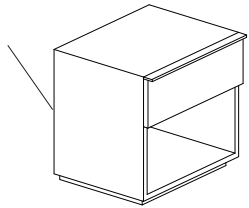
simonjames.co.nz

Bedside Table Dimensions



2 Drawer
Bedside Table

Back on unit (No void)



1 Drawer
Bedside Table



SIMON JAMES

Copyright © 2017 Simon James Design Limited (SJD)
Private and Confidential. No designs, concepts or ideas in this document
may be used without prior written agreement of SJD.

Furniture & Lighting

47 Normanby Road
Mt Eden
Auckland 1024
Ph +64 9 377 5556

simonjames.co.nz