

# Tangerine Chair

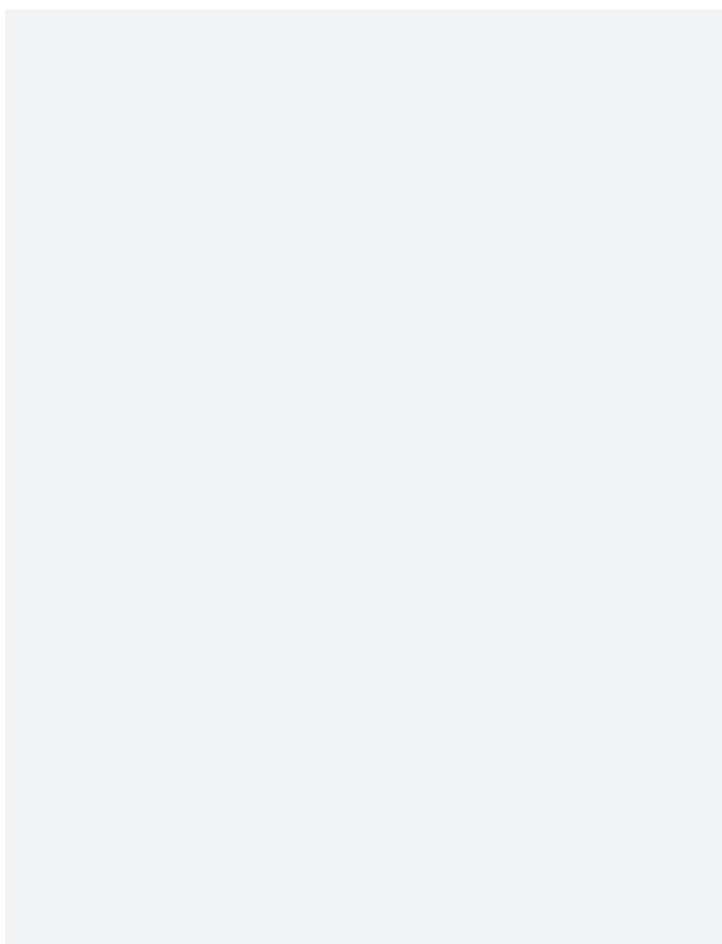


Simon James | 2012

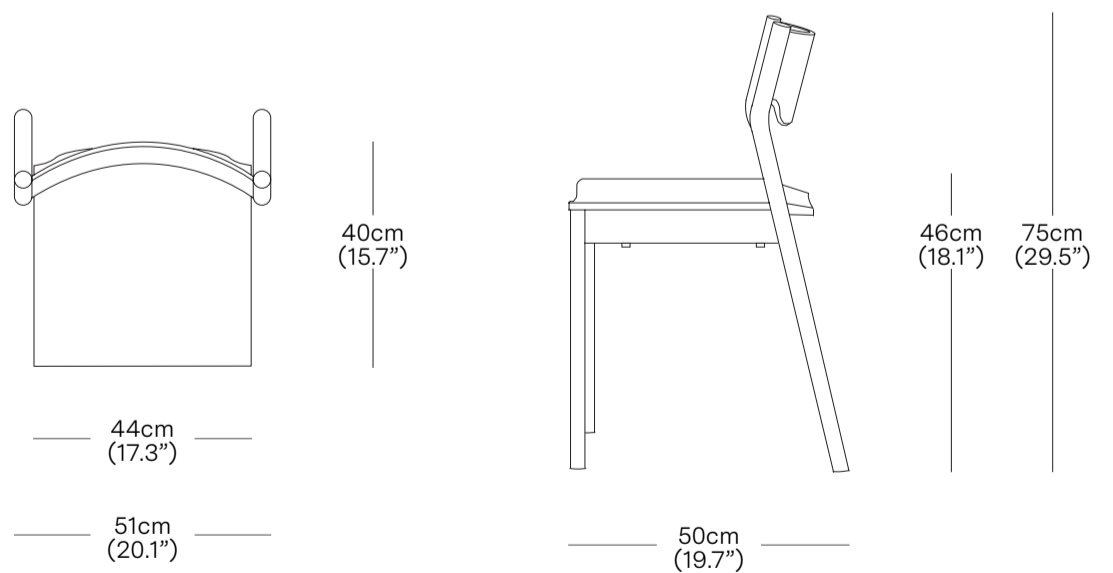
Made from solid oak, this clean-lined and stackable wooden chair brings a fresh, warm and contemporary feel into home, hospitality and commercial environments. Available in natural oak or black-stained, its lightweight look and subtle form offer a refined option to compliment most tables.

|                            |
|----------------------------|
| <b>MATERIALS</b>           |
| Solid Oak, Oak Veneer      |
| <b>PRODUCT ENVIRONMENT</b> |
| Indoor Use Only            |
| <b>CONTRACT USE</b>        |
| Yes                        |
| <b>CERTIFICATION</b>       |
| FSC Certified Wood         |
| <b>WARRANTY</b>            |
| 3 years                    |
| <b>COUNTRY OF ORIGIN</b>   |
| Lithuania                  |

|             |                           |
|-------------|---------------------------|
| <b>CODE</b> | <b>PRODUCT</b>            |
| TAN001B     | Tangerine Chair - Black   |
| TAN001N     | Tangerine Chair - Natural |
| TAN001U     | Tangerine Chair - Umber   |



|                               |                       |
|-------------------------------|-----------------------|
| <b>FINISHES</b>               | <b>PRODUCT WEIGHT</b> |
| black      natural      umber | 5.7 kg (12.6 lbs)     |



|                            |           |          |
|----------------------------|-----------|----------|
| <b>PACKAGED DIMENSIONS</b> |           |          |
| L x W x H                  | Cubage    | Weight   |
| Box 1 (4 chairs to a box)  |           |          |
| 69 x 55 x 102 cm           | 0.39 m3   | 23.4 kg  |
| 27.2 x 21.7 x 40.2 in      | 13.67 ft3 | 51.6 lbs |
| <b>COMMODITY CODE</b>      | 94036010  |          |

\* Components drawn in relative scale. Refer to CAD files for accurate drawings.