

Felix Swivel Chair



Simon James | 2020

The Felix Swivel Chair is a comfortable wrap-around armchair, with soft upholstered lines welcoming the user into a relaxed sitting posture and the flexibility of movement in a working space.

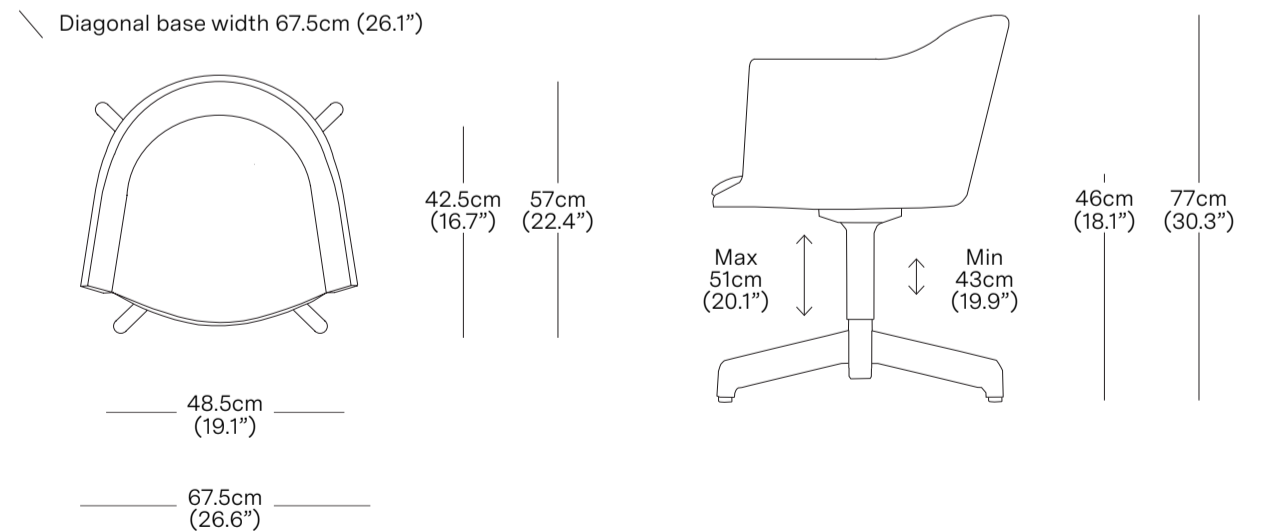
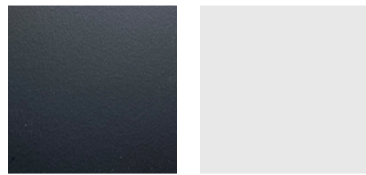
With the upholstered seat available in a range of materials and colours, Felix's die-cast aluminium base provides a bold contrast, creating a versatile chair that can stand alone or sit around a boardroom table. Available with a caster base.

MATERIALS	Upholstered Plywood, Foam, Steel and Aluminium
PRODUCT ENVIRONMENT	Indoor Use Only
CONTRACT USE	Yes
CERTIFICATION	CAL 117-2013, BS 5852 Crib 5*, EN 1021-1 EN 1021-3
WARRANTY	3 years
COUNTRY OF ORIGIN	UK / USA / AUS / NZ

CODE	PRODUCT
FEX002	Felix Chair - Black
FEX003	Felix Chair - White
FEX004	Felix Chair w/ Casters - Black
FEX005	Felix Chair w/ Casters - White
CATEGORY	PRODUCT
1	Maharam Mode / Messenger / COM
2	Camira Synergy / Mainline Flax
3	Kvadrat Hallingdal 65 / Sorensen Envy
4	Sorensen Royal Nubuck

UPHOLSTERY USAGE
COM
1.8 m (2 yd)
COL
3.1 m ² (34 sq ft)
UPHOLSTERY DETAILS
Refer to upholstery fabric & leather document

FINISHES	PRODUCT WEIGHT
black base white base	12.2 kg (26.9 lbs)



PACKAGED DIMENSIONS		
L x W x H	Cubage	Weight
Box 1		
58 x 69 x 78 cm	0.31 m ³	15.2 kg
22.8 x 27.0 x 30.7 in	10.9 ft ³	33.5 lbs
COMMODITY CODE	94017100	

* Components drawn in relative scale. Refer to CAD files for accurate drawings.