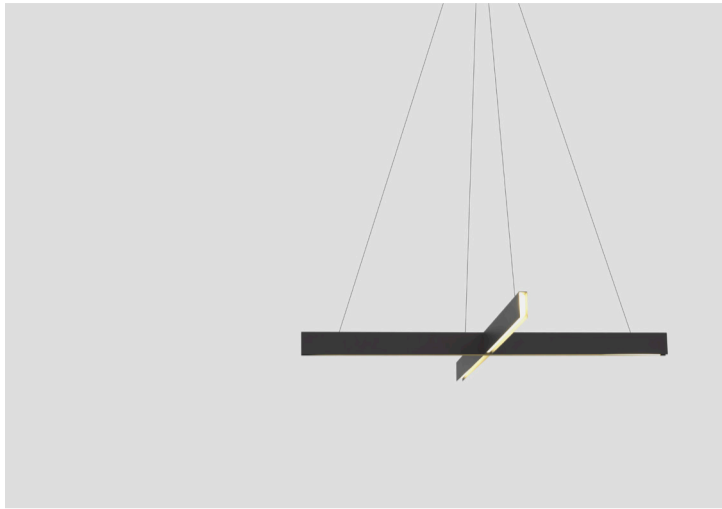


Cross Pendant



Resident Studio | 2013

The Cross Pendant is a member of Resident's signature 'Geometric Family' that brings the beauty of mathematical precision into innovative and functional feature lighting into both the home and commercial environments.

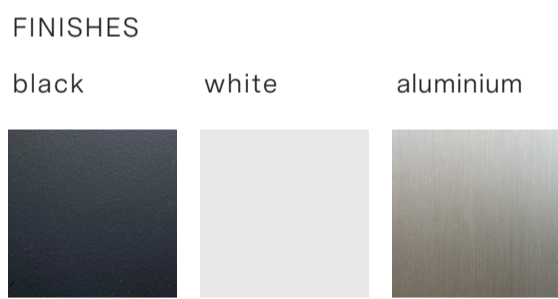
The pendant is suspended from discreet slim line wires, with a high quality LED light source that is elegantly diffused through recessed frosted acrylic.

Cross works well as a single pendant, displayed in multiples or with other members of the geometric lighting family.

MATERIALS
Aluminium, Acrylic
CEILING ROSE
Matt Black Aluminium
PRODUCT ENVIRONMENT
Indoor Use Only
CONTRACT USE
Yes
CERTIFICATION
CE, cUL, UL
WARRANTY
3 years
COUNTRY OF ORIGIN
New Zealand

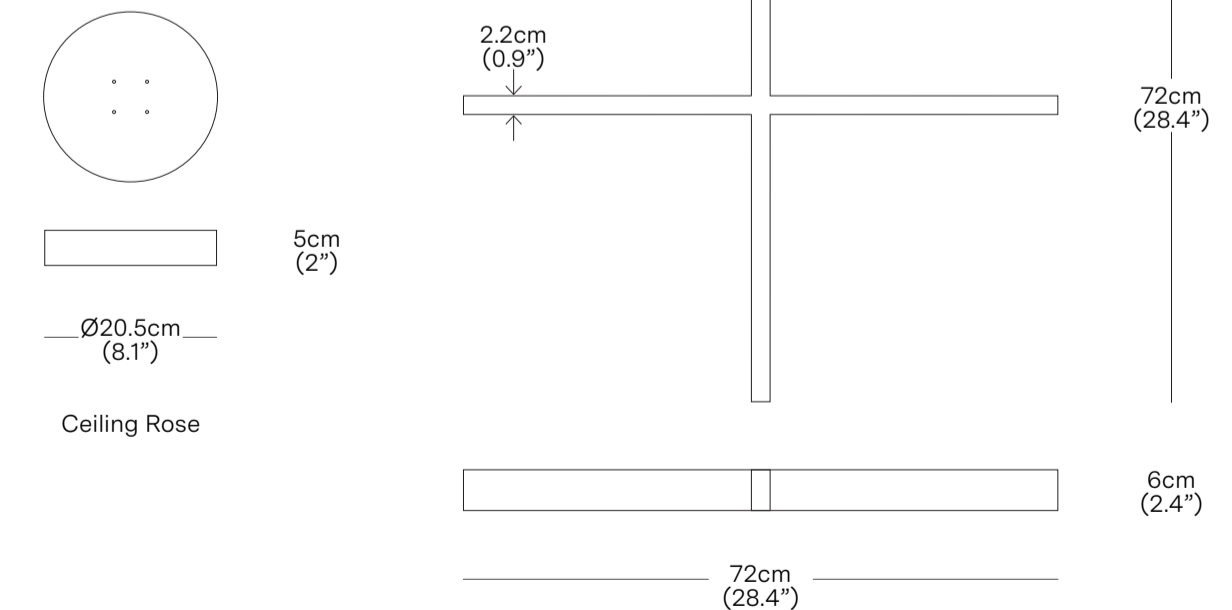
CODE	PRODUCT
CRO001B	Cross Pendant - Black
CRO001W	Cross Pendant - White
CRO001A	Cross Pendant - Aluminium

LIGHT SOURCE
Integrated LED
VOLTAGE
24V
POWER USAGE
45W
LUMENS
2755lm
COLOUR TEMP
2700k
CRI
95
LIFESPAN
50,000 Hrs
CABLE
Min 30 cm (12 in) - Max 200 cm (78 in)
DIMMING
Non-dimmable as standard and comes with a 60W (non-dimmable) driver. Alternate dimming options available on request.



PRODUCT WEIGHT
3.3 kg (7.3 lbs)

PACKAGED DIMENSIONS		
L x W x H	Cubage	Weight
Box 1		
97 x 86 x 10 cm	0.08 m3	6.3 kg
38.2 x 33.9 x 3.9 in	2.8 ft3	13.9 lbs
COMMODITY CODE	9405423990	



* Components drawn in relative scale. Refer to CAD files for accurate drawings.