



# Okidoki

Specification Guide

# Okidoki

Who says you can't mix  
business with pleasure?

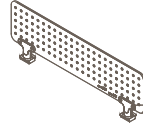
Okidoki could be  
brightening the office  
one day, then bringing  
its casual cool to your  
home the next. In any  
environment, its cheeky  
personality is always  
on display.

# Okidoki

**Workstation**      **5 – 11**



**Accessories**      **12 - 26**



A detailed line drawing of a desk assembly, showing the legs, crossbars, and the desk surface. The drawing is rendered in a clean, minimalist style with black outlines on a white background. The desk is shown from a three-quarter perspective, highlighting its sturdy construction and adjustable components.

**Okidoki**

# Workstation Finishes

## 1. Legs

Our legs are all made from Timber. Ash comes as standard. We offer premium finishes of Solid Walnut and solid colour with exposed timber grain in our seasonal colours.



## 2. Frame Finishes

Okidoki steel and aluminium frame is available in our current season powdercoat colours listed. Custom colours are also available.



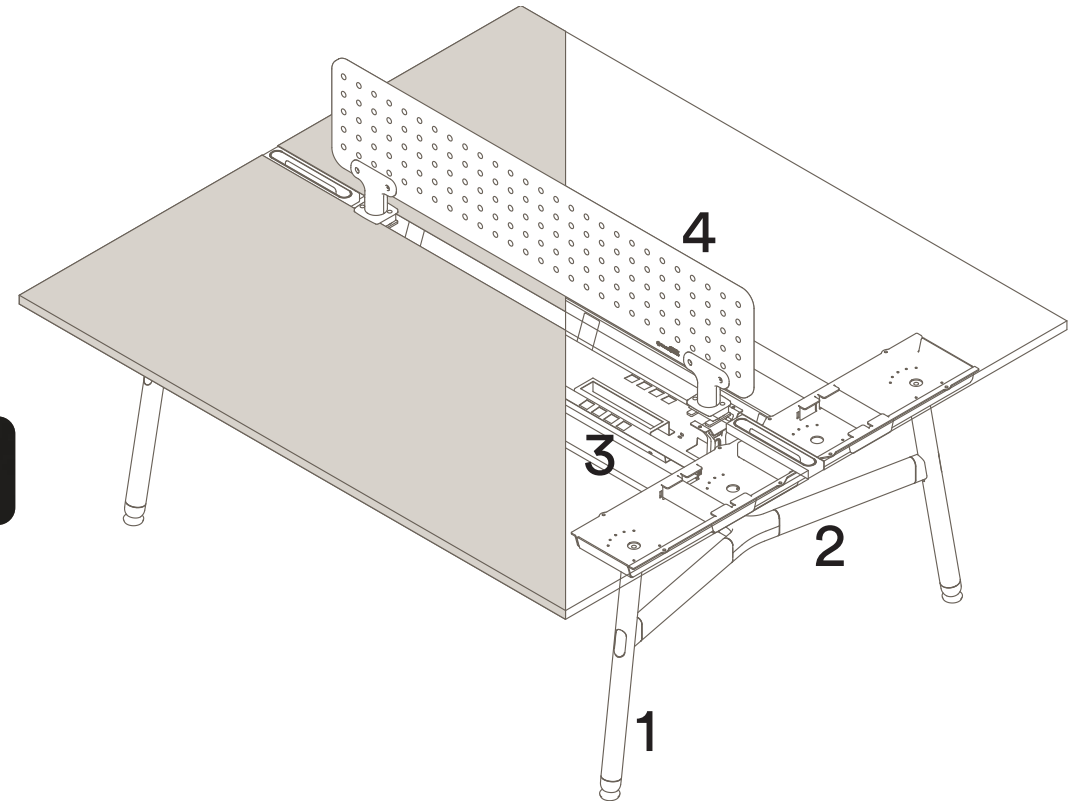
## 3. PET Cable Tray

Aside from our standard wire Cable Basket, we offer an enclosed PET Cable Tray option



## 4. Workstation Screens

Our Workstation Screens can be Fabric upholstered to suit customer needs. Screens are also available in Acoustic PET or Plywood options.



Colours are representative only, please check with your Thinking Works consultant to view samples of any specific colour.

# Workstation Double Sided

## Materials Information

### Legs

Timber Legs

- a. Ash (standard)
- b. Walnut
- c. Seasonal Colour (solid colour with timber grain)

### Frame Finish

Powdercoat Steel & Aluminium Frame

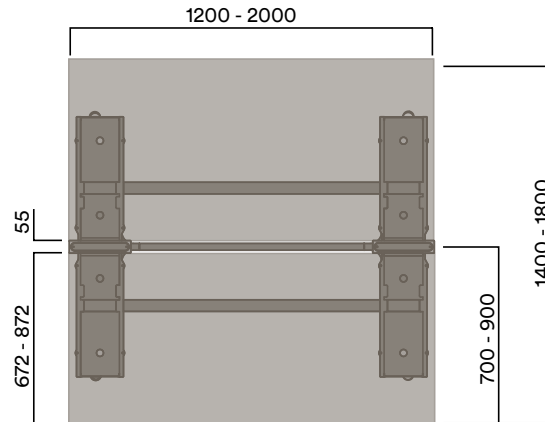
- a. Blanc (standard)
- b. Noir
- c. Double Cream
- d. Pink Salt
- e. Nocturnelle
- f. Morello
- g. Scotland Sky
- h. Green Smoke
- i. Moonshine
- j. Byron Blue
- k. Axel

Steel Top Horn

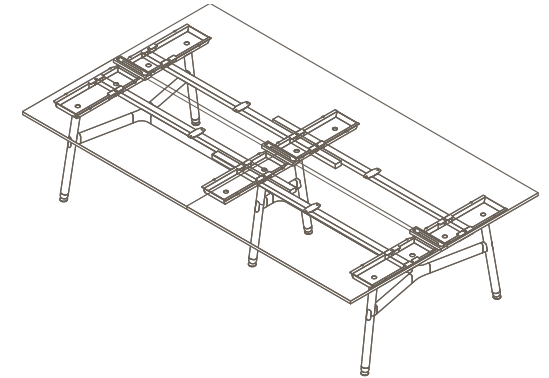
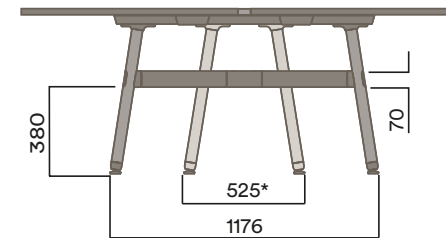
- a. Black Powdercoat

Maximum inc. worktop 60kg  
Maximum Point Load 15kg  
Seats 2-8

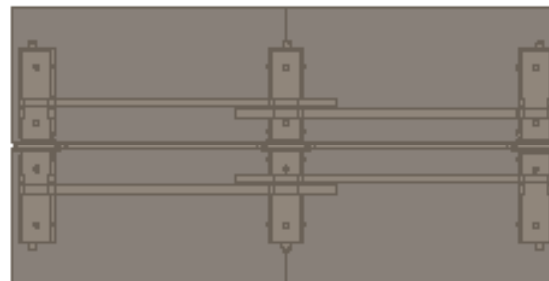
## OKW-2100 2pax



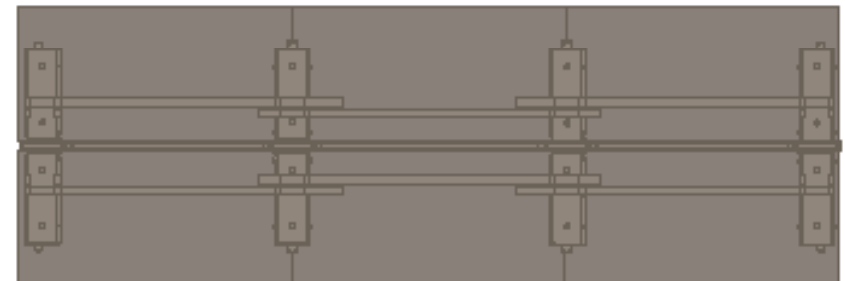
BASE HEIGHT	SIDE OFFSET
720	32
900	135
1050	135



## OKW-2200 4pax



## OKW-2300 6pax



# Workstation Double Sided

## Materials Information

### Legs

Timber Legs

- a. Ash (standard)
- b. Walnut
- c. Seasonal Colour (solid colour with timber grain)

### Frame Finish

Powdercoat Steel & Aluminium Frame

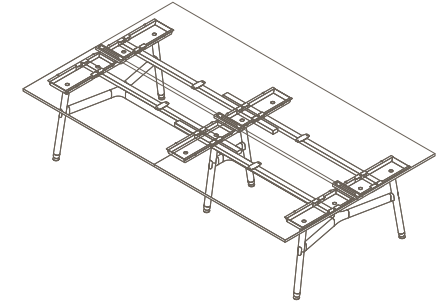
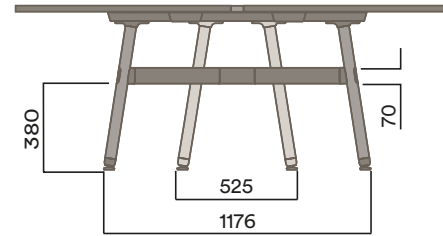
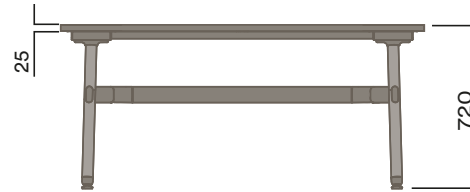
- a. Blanc (standard)
- b. Noir
- c. Double Cream
- d. Pink Salt
- e. Nocturnelle
- f. Morello
- g. Scotland Sky
- h. Green Smoke
- i. Moonshine
- j. Byron Blue
- k. Axel

Steel Top Horn

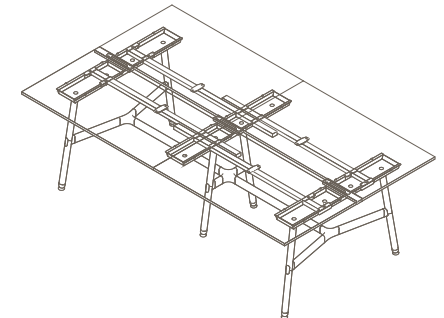
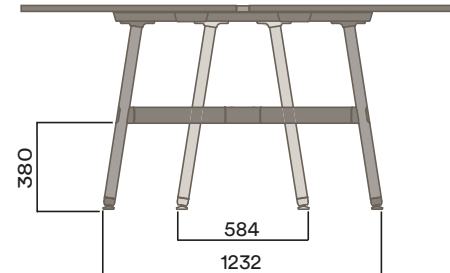
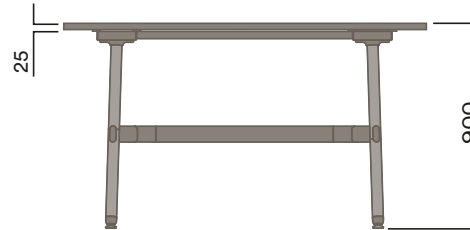
- a. Black Powdercoat

Maximum inc. worktop 60kg  
 Maximum Point Load 15kg  
 Seats 2-8

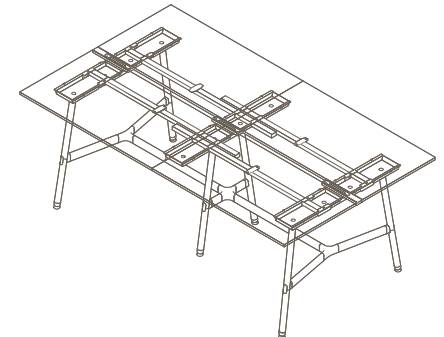
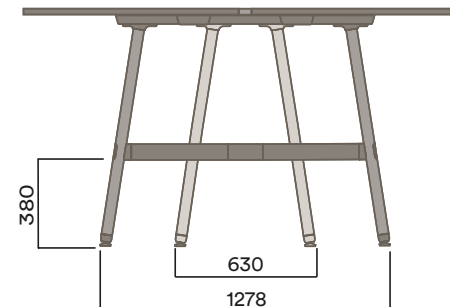
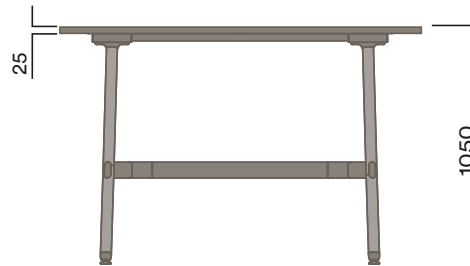
OKW-2100/2200/2300 720 (standard height)



OKW-9-2100/2200/2300 900 (bench height)



OKW-10-2100/2200/2300 1050 (standing height)



# Workstation Double Sided

## Materials Information

### Spacer Block

Timber Spacer

- a. Ash, Clear Lacquer
- b. Walnut

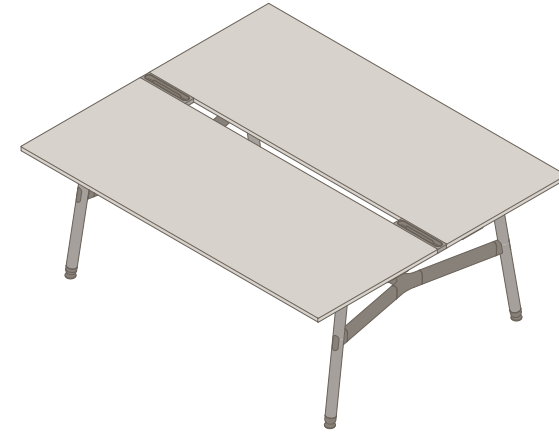
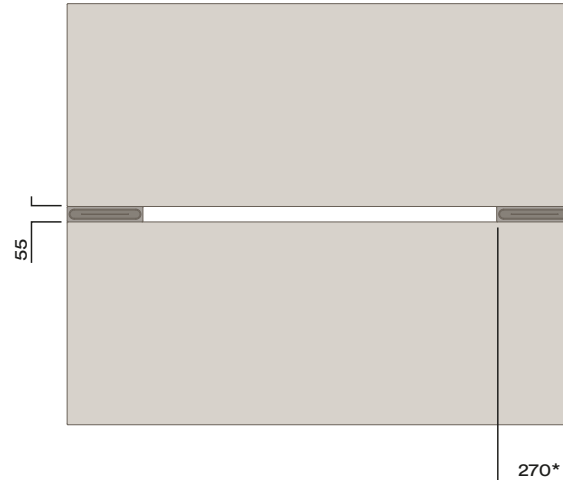
\*for other finishes please contact Thinking Works for more info

Aluminium Inner Infill

- a. Powdercoat to match frame

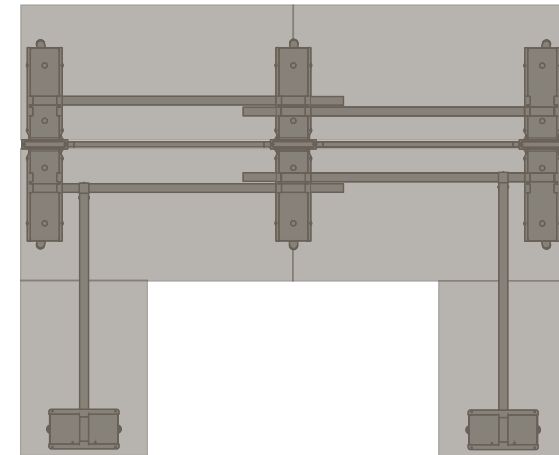
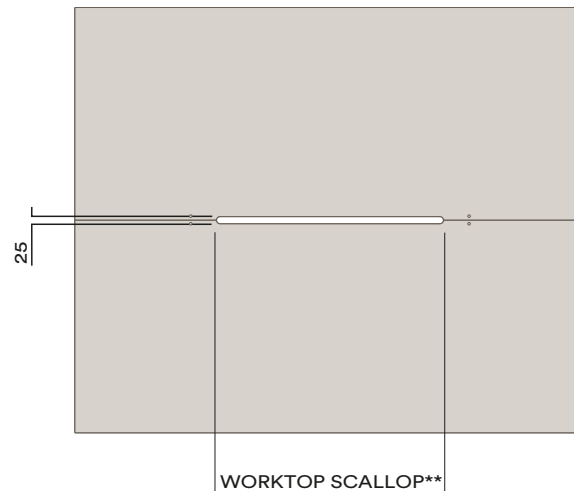
## 55 Workpoint Divide

to suit Spacer Block



## 25 Workpoint Divide

to suit Worktop Scallop



\*Spacer Blocks between worktops required to achieve 55mm gap between back-to-back workpoints for cable management

\*\*Scallop in worktop required to achieve 25mm gap between back-to-back workpoints for cable management



# Workstation Single Sided

## Materials Information

### Legs

Timber Legs

- Ash (standard)
- Walnut
- Seasonal Colour (solid colour with timber grain)

### Frame Finish

Powdercoat Steel & Aluminium Frame

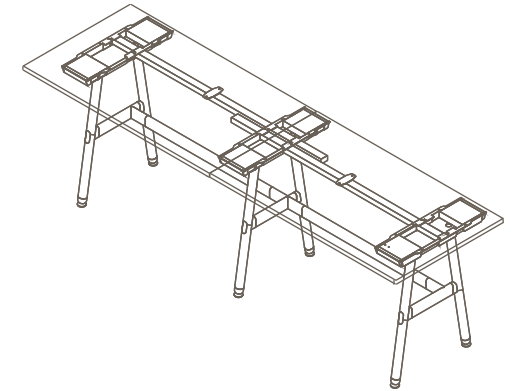
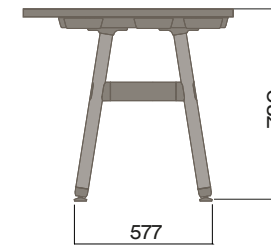
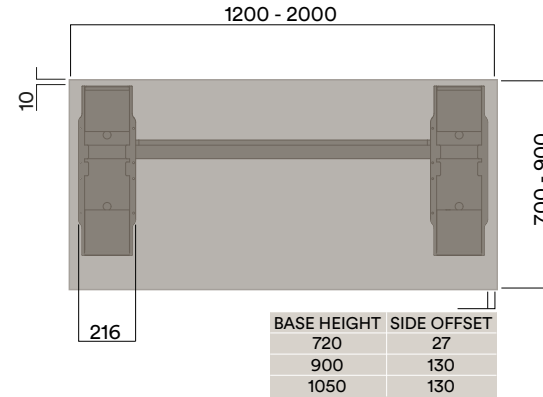
- Blanc (standard)
- Noir
- Double Cream
- Pink Salt
- Nocturnelle
- Morello
- Scotland Sky
- Green Smoke
- Moonshine
- Byron Blue
- Axel

Steel Top Horn

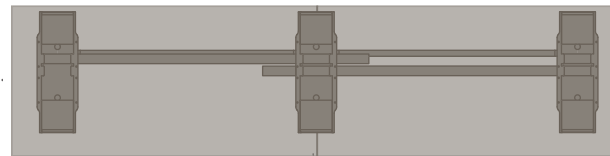
- Black Powdercoat

Maximum inc. worktop 60kg  
Maximum Point Load 15kg  
Seats 1-4

## OKW-1100 1pax



## OKW-1200 2pax



## OKW-1300 3pax



# Workstation Single Sided

## Materials Information

### Legs

Timber Legs

- a. Ash (standard)
- b. Walnut
- c. Seasonal Colour (solid colour with timber grain)

### Frame Finish

Powdercoat Steel & Aluminium Frame

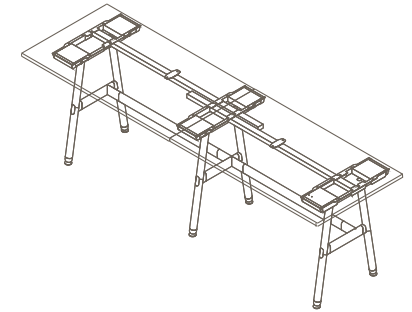
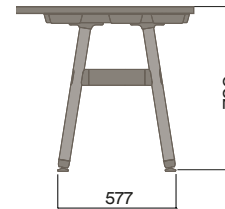
- a. Blanc (standard)
- b. Noir
- c. Double Cream
- d. Pink Salt
- e. Nocturnelle
- f. Morello
- g. Scotland Sky
- h. Green Smoke
- i. Moonshine
- j. Byron Blue
- k. Axel

Steel Top Horn

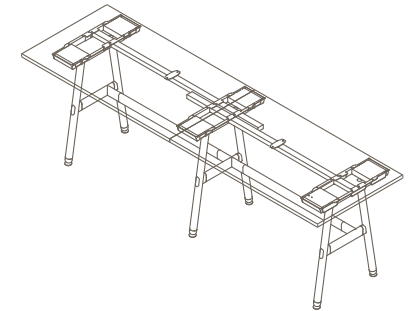
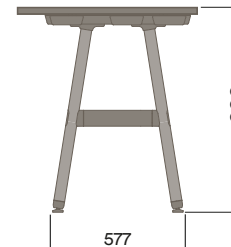
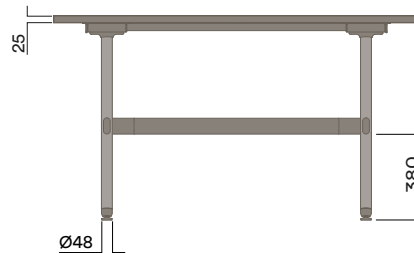
- a. Black Powdercoat

Maximum inc. worktop 60kg  
Maximum Point Load 15kg  
Seats 1-4

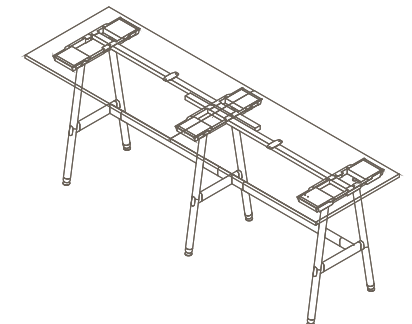
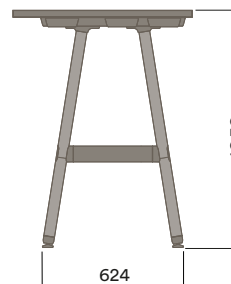
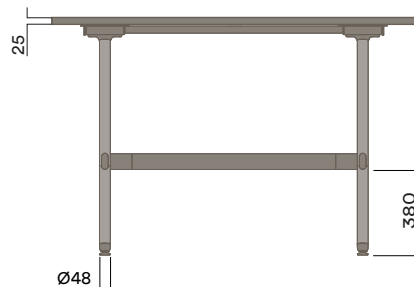
OKW-1100/1200/1300 720 (standard height)



OKW-9-100/1200/1300 900 (bench height)



OKW-10-100/1200/1300 1050 (standing height)



# Workstation Return

## Materials Information

### Legs

Timber Legs

- Ash (standard)
- Walnut
- Seasonal Colour (solid colour with timber grain)

### Frame Finish

Powdercoat Steel & Aluminium Frame

- Blanc (standard)
- Noir
- Double Cream
- Pink Salt
- Nocturnelle
- Morello
- Scotland Sky
- Green Smoke
- Moonshine
- Byron Blue
- Axel

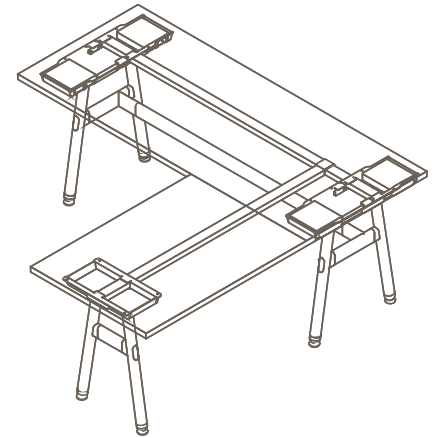
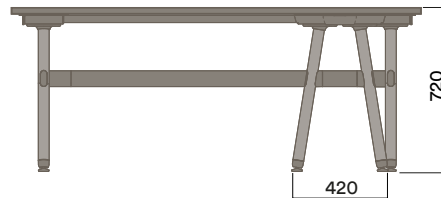
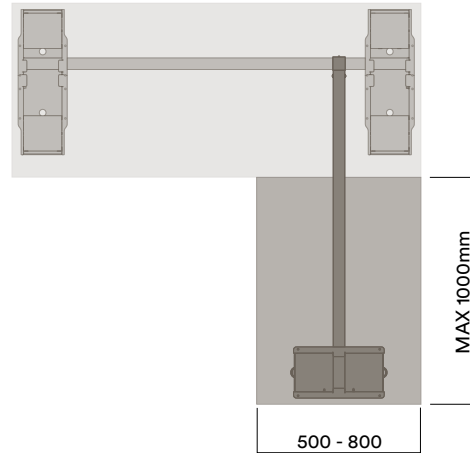
### Steel Top Horn

- Black Powdercoat

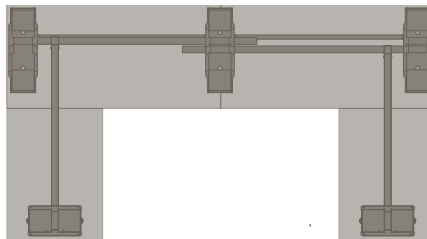
Maximum inc. worktop 60kg  
 Maximum Point Load 15kg  
 Seats 1-4

## OKW-R-1010

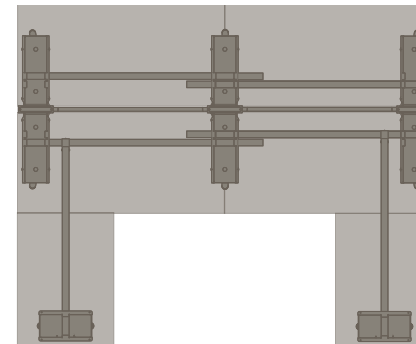
## Return Kit



## Single Sided Return



## Double Sided Return



# Workstation Accessories

## Materials Information

### Cable Basket

Wire Cable Basket

- Black Powdercoat Steel Segregation Gutter and Worktop Brackets
- Black Powdercoat

### Cable Tray

PET Cable Tray Panel

- Light Grey PET
- Dark Grey PET
- Oatmeal PET

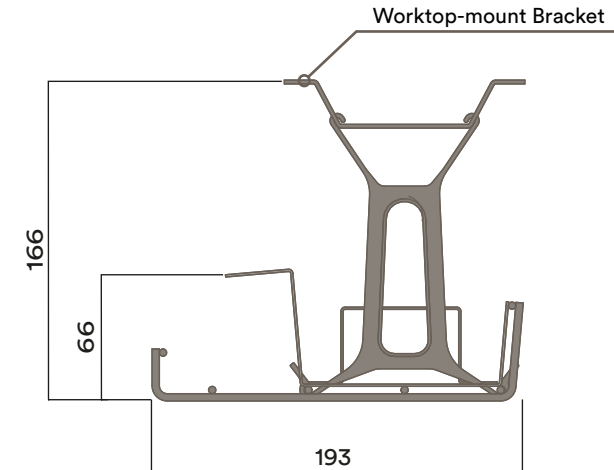
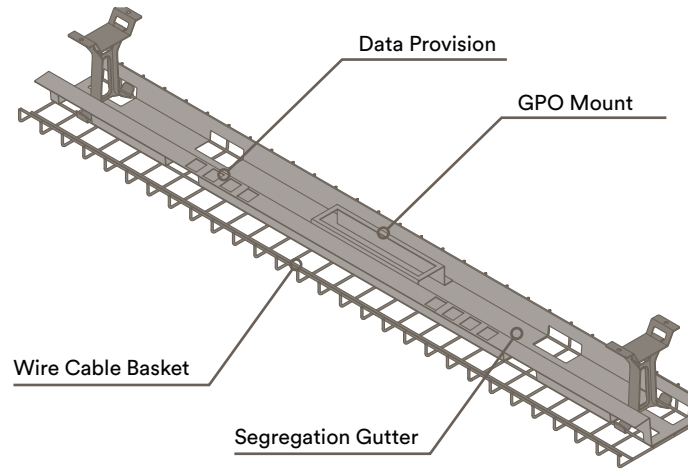
### Cable Tray End Cap

Powdercoat Steel

- Blanc (standard)
- Seasonal Colour (to match frame)
- Light Grey (to match Light Grey PET)
- Dark Grey (to match Dark Grey PET)
- Beige (to match Oatmeal PET)

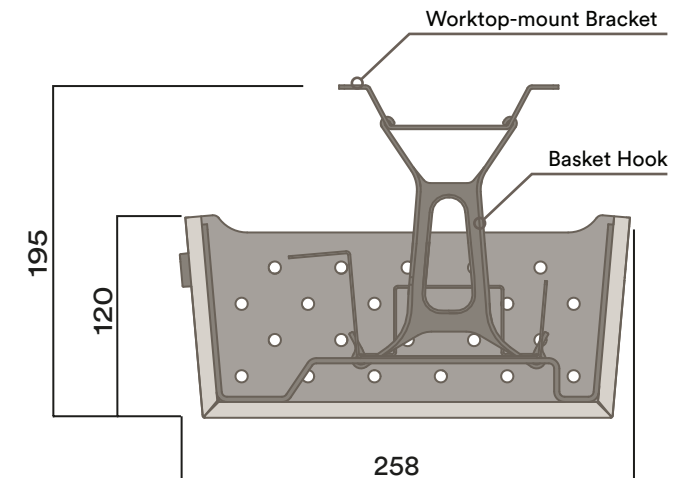
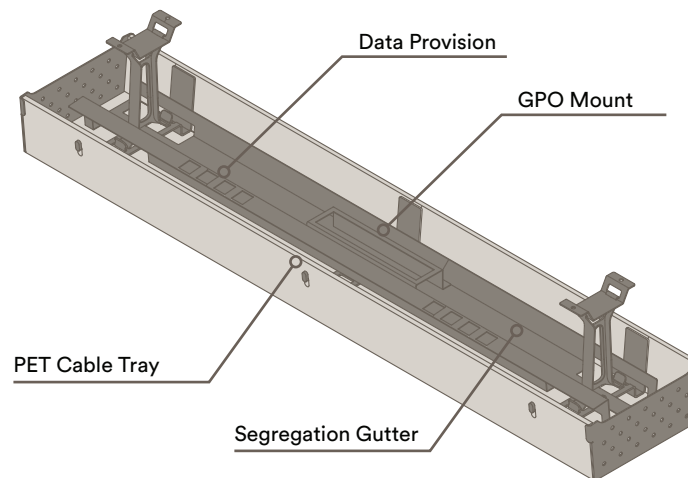
## OKW-4100 Series

### Single Sided Cable Basket



## OKW-3500 Series

### Single Sided PET Cable Tray



# Workstation Accessories

## Materials Information

### Cable Basket

Wire Cable Basket

- Black Powdercoat Steel Segregation Gutter and Worktop Brackets
- Black Powdercoat

### Cable Tray

PET Cable Tray Panel

- Light Grey PET
- Dark Grey PET
- Oatmeal PET

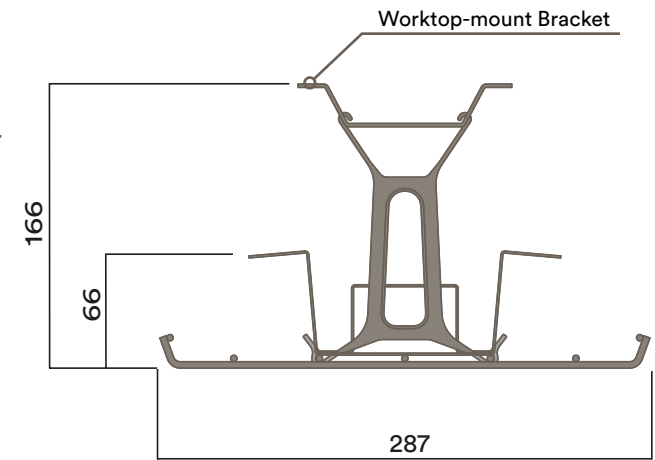
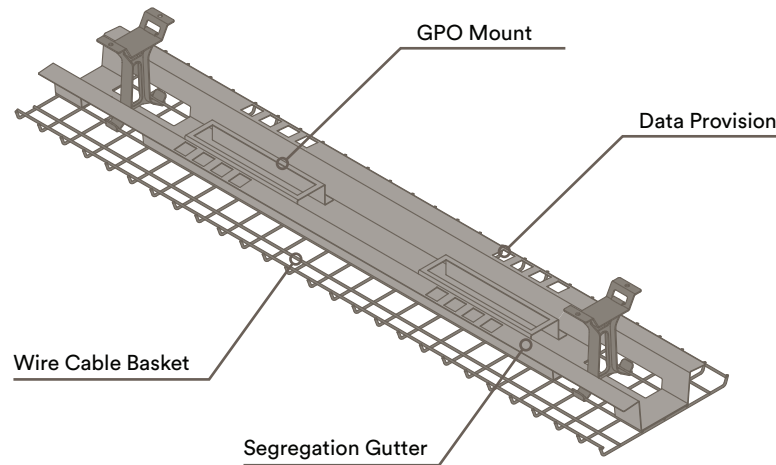
### Cable Tray End Cap

Powdercoat Steel

- Blanc (standard)
- Seasonal Colour (to match frame)
- Light Grey (to match Light Grey PET)
- Dark Grey (to match Dark Grey PET)
- Beige (to match Oatmeal PET)

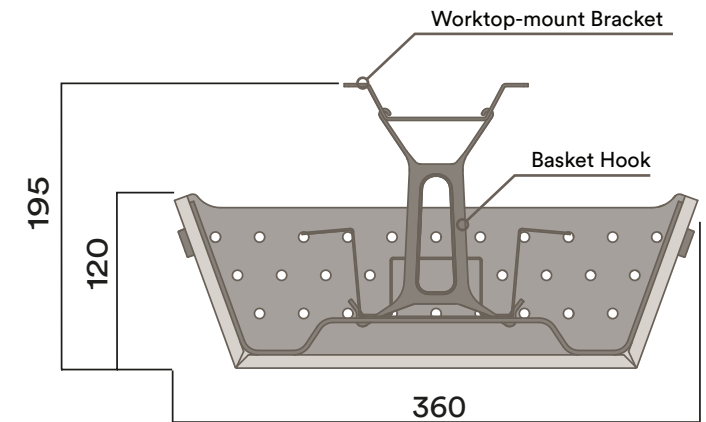
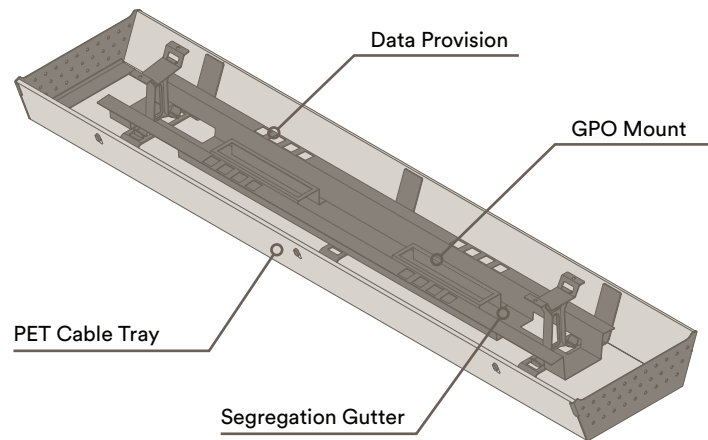
## OKW-4200 Series

### Double Sided Cable Basket



## OKW-3400 Series

### Double Sided PET Cable Tray



# Workstation Accessories

## Materials Information

### Spacer Block

Timber Spacer

- a. Ash, Clear Lacquer
- b. Walnut

\*for other finishes please contact Thinking Works for more info

Powdercoat Aluminium Inner Infill

- a. to match frame

### Quiet Screen

Upholstered Screen Panel

- a. Customer Supplied Fabric

### Acoustic Screen

PET Screen Panel

- a. Light Grey
- b. Dark Grey

### Screen Mounts

Powdercoat Aluminium Screen Mounts

- a. to match frame
- b. Other Colour

### Rails Spacer Dimensions

\*to suit middle leg sets (all heights) and 720 end legs

\*\*to suit 900 (bench) and 1050 (standing) end legs

### \*Screen Mounting Method

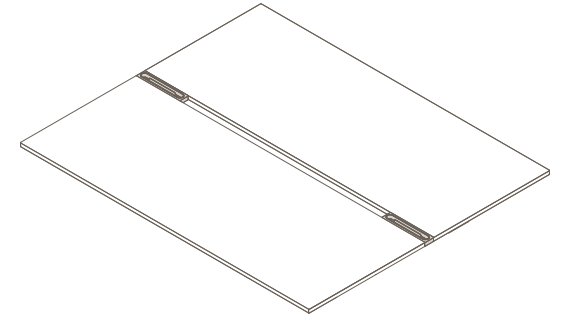
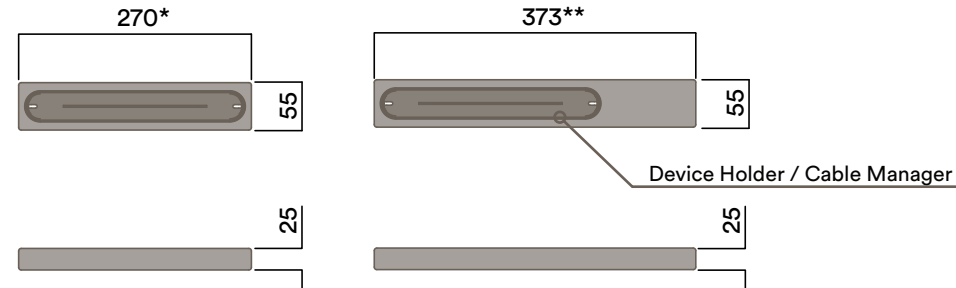
Between worktop for 55mm Gap configurations

Through worktop for 25mm Gap configurations

Slide-on for Single Sided configurations

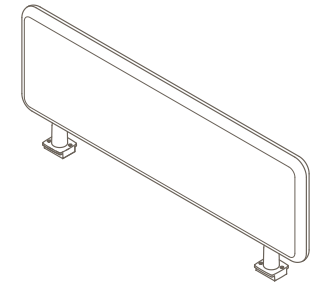
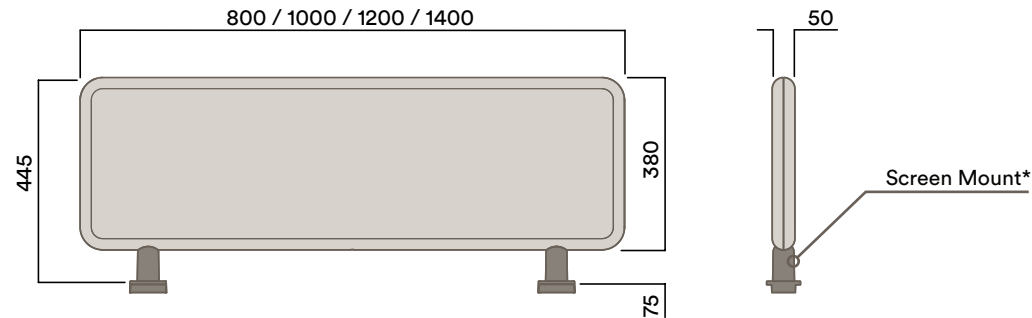
## Spacer Block

to suit 55 Gap Double Sided



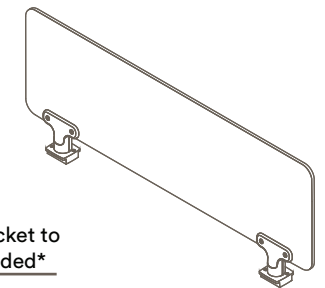
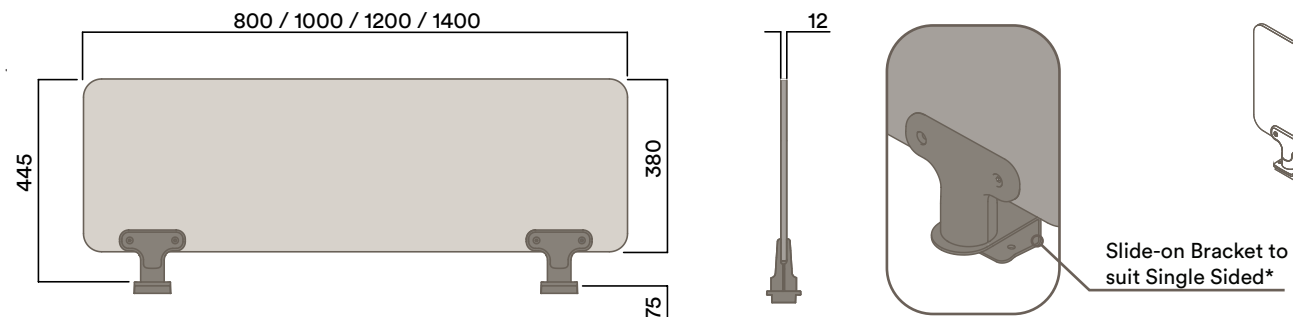
## Quiet Screen

Upholstered



## Acoustic Screen

PET Panel



# Workstation Accessories

## Materials Information

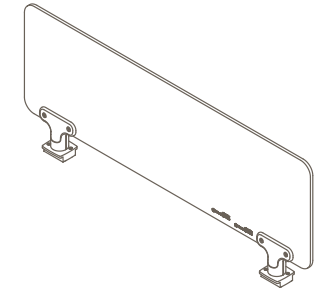
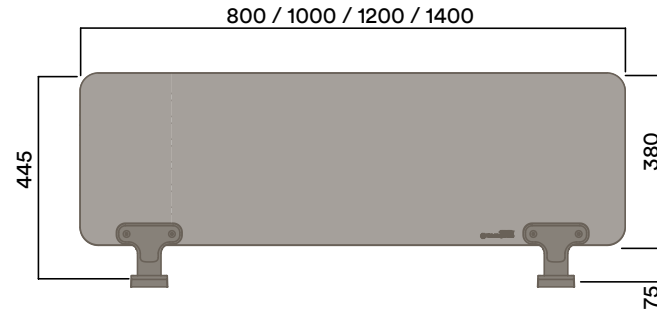
### Timber Screen

Plywood Screen Panel

- a. Ash, Clear Lacquer
- b. Walnut
- c. Black solid colour with timber grain
- d. White solid colour with timber grain

### Timber Screen

### Plywood



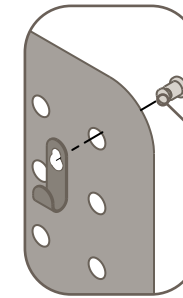
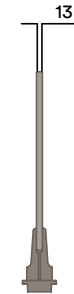
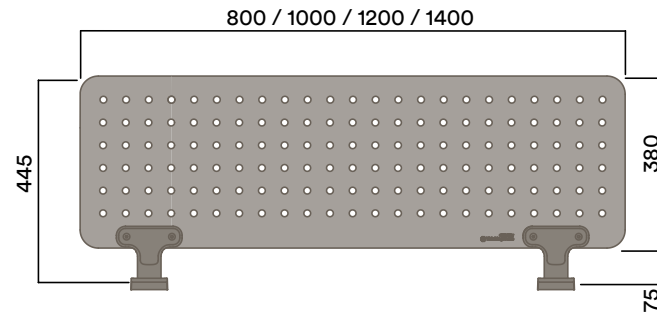
### Screen Mounts

Powdercoat Aluminium Screen Mounts

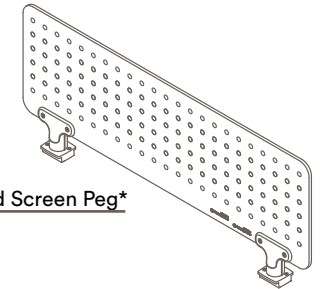
- a. to match frame
- b. Other Colour

### Timber Screen

### Perforated Plywood



Plywood Screen Peg\*



### Screen Accessories

Powdercoat sheet metal Accessories

- a. to match frame
- b. Other Colour

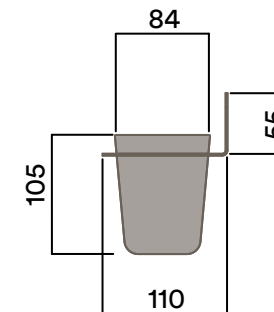
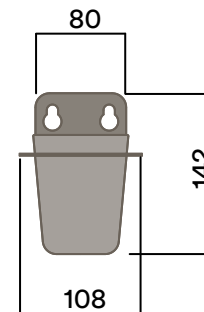
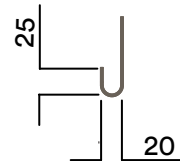
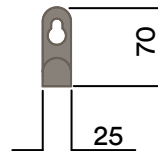
### Concrete Pot

- a. Grey Concrete

### Screen Accessory

### Hook

### Concrete Pot



\*Screen Accessories and Pegs only available for Perforated Plywood Screen

# Workstation Accessories

## Materials Information

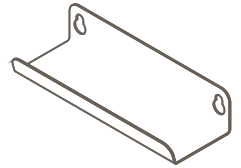
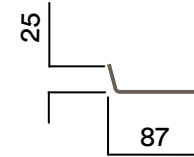
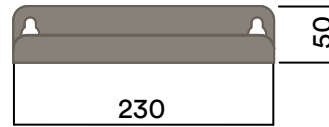
### Screen Accessories

Powdercoat sheet metal Accessories

- a. to match frame
- b. Other Colour

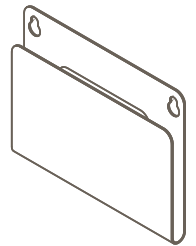
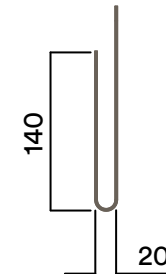
## Screen Accessory

### Shelf



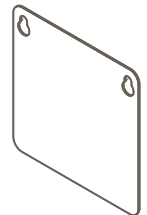
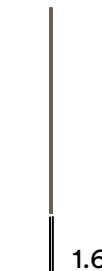
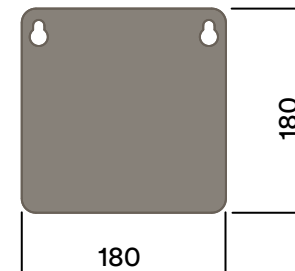
## Screen Accessory

### Document File



## Screen Accessory

### Memo Board







## **Specification**

If you would like a sample set of any of our finishes, please call us on 61 (0)2 9726 7177 or e-mail at [sales@thinkingw.com](mailto:sales@thinkingw.com).

Due to our policy of continuous product development, specifications and finishes may change without prior notice.

## **Sustainability Policy**

We realise the importance of responsible business practices and have in place numerous product and company sustainability certifications. We would encourage you to download our annual Sustainability Report from the Thinking Works website to get a full overview of our sustainability program.

Thinking Works  
© Copyright 2018  
All right reserved

Thinking Works  
15-23 Helles Avenue  
Moorebank  
New South Wales 2170

[www.thinkingw.com](http://www.thinkingw.com)  
61 (0)2 9726 7177  
[sales@thinkingw.com](mailto:sales@thinkingw.com)