

MOTO

ELEMENTS



MOTO

“Less, but better”

Dieter Rams

MOTO ELEMENTS

Simplicity and sophistication are the driving forces for MOTO. A workstation where every component works for you whilst still maintaining a sleek profile.

Arguably the cleanest looking system in the market, MOTO is designed to fit the needs of evolving spaces and businesses.

This minimal design provides a multitude of benefits aesthetically, environmentally and importantly from an efficiency of workspace churn perspective. Critically, MOTO is quick to build, repurpose and is an optimal solution for changing needs.

The paired back design ensures no surplus parts. Predominantly made of steel this workstation ensures durability and low embodied energy.



SOUTH AUSTRALIAN OWNED, DESIGNED & MADE

AURA's South Australian presence is critical to our offering and understanding of the commercial office landscape in Adelaide.

Across the industry the South Australian requirements differ from those across the country and around the world. We here our South Australian presence and connections to tailor solutions on a case by case basis.

Our local in-house design studio, ELEMENTS provides a range of core products, customised and bespoke offerings meaning we have a solution to fit every need.

For our locally designed and produced product we are not contained by ownership of a specific manufacturing plant. Our philosophy is to outsource manufacturing to the right facility based on criteria driven by factors such what is ideal for the product, quality and location.

We call this Transferable Manufacture.

Local production allows us to work closely with our manufacturers to review the product during the manufacturing process in order to eliminate any issues prior to install. It also keeps transport costs down.

The unique pairing of AURA and ELEMENTS gives us an agile edge. Focusing on our fundamental values of sustainability, functionality, minimalism in design and componentry our product is non-polarising yet sleek.. We offer timeless, quality and durable product to the South Australian commercial office space.



SUSTAINABLY FOCUSED

Sustainability is at the very core of everything we do from conception and design to production. In short, ELEMENTS sustainable offering can be seen predominantly in the following facets:

MINIMAL DESIGN, LESS IS BETTER

Every part of our workstations has a function, most components are multifunctional - eliminating unnecessary parts.

RECYCLABILITY

Utilising single materials wherever possible and focusing our attention towards recyclable materials is at the forefront of our design.

PARTNERING WITH SUSTAINABLE SUPPLIERS

Working with likeminded companies is not negotiable. Every supplier we partner with such as LINAK and Elsafe are renowned for their environmentally conscious offering.

CREATING DURABLE PRODUCTS THAT WILL STAND THE TEST OF TIME

Lifecycle is such a critical factor in sustainability, our 10 year warranty is beneficial not just from a value for money perspective but also in consideration for that products impact on the world.



MOTO
SINGLE



MOTO
SINGLE



MOTO
DOUBLE



MOTO END



MOTO QUAD



MOTO SCREEN

Slide in for simple installation
& removal

MOTO

CHUTE

Cable tray to worktop services are captured by our cordura chute. Quiet and crush resistant, it glides smoothly during sit to stand motion whilst maintaining MOTO's sleek aesthetic.



MOTO

CHUTE

Service bridging between pods offers an elegant and tidy solution concealing the spaghetti within.

MOTO

UPTURN & BEAM

Integrated above and below services.
Controlled cable management.





MOTO

ACCESSORIES

Accessories to suit your needs
including: name tags, under work top
drawers and facility management
systems by gobright.com





MOTO

&

SOFT

Designed to integrate seamlessly, SOFT is a sleek mobile storage system that ensures clean lines and table tops throughout the office.



MOTO FINISHES

Texture black

Texture warm grey

Texture white

Custom colours available (MOQ apply)



MOTO MOTIVATION

Actuator system by LINAK.

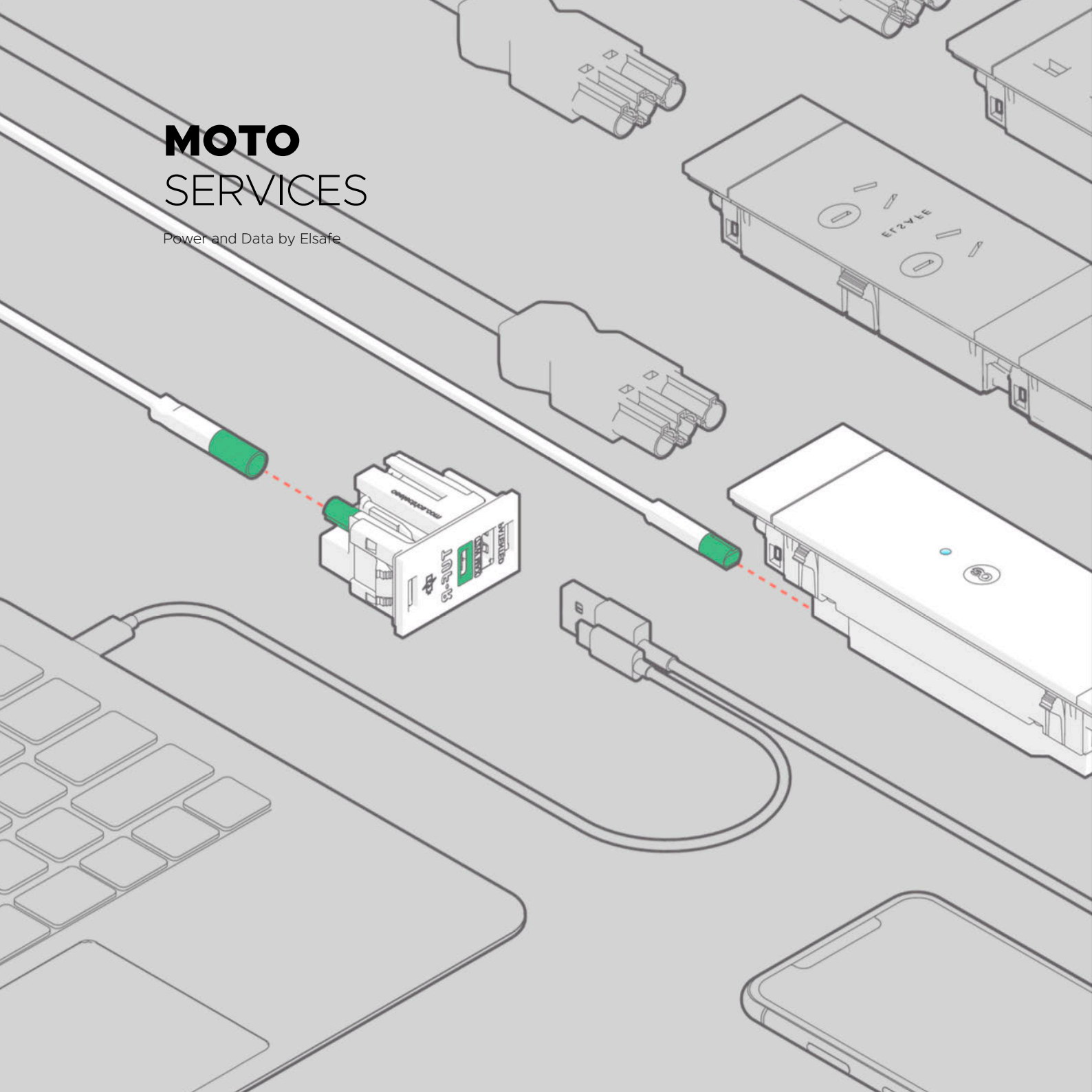
World Leaders.
Intuitive Controls.
Bluetooth Connectivity.
Anti-Collision.
Made in EU
Leading sustainable production

LINAK® 



MOTO SERVICES

Power and Data by Elsafe



MOTO

SPECIFICATIONS

WARRANTY

10 years limited

ORIGIN

Australian Made with High South Australian content, Designed in South Australia

HEIGHT

DYNAMIC: 620 – 1250mm electronic sit/stand

STATIC+: 620 – 1250mm technician adjustable - retro upgradable to sit/stand

STATIC: 725mm - retro upgradable to sit/stand

PERFORMANCE

17 second sit to stand unloaded

100kg

MOTIVATION

Linak

SERVICES

Standard: Elsafe double gpo/double usb above,
quad gpo/quad data below- Other on request

SCREENS

28mm frameless upholstered. Preferred textiles, Woven Image Global & At Work Synergy

24mm PET

CONFIGURATIONS

SINGLE inboard 1350 - 1800mm, outboard 1800 - 2400mm

DOUBLE inboard 1350 - 1800mm, outboard 1800 - 2400mm

TRIPLE 1300 x 700mm

QUAD overall Φ 2400mm - MOQ may apply

FINISHES

Tops: Client specification

Legs/Screen frame: texture white, texture black, texture warm grey. Custom - MOQ apply

Chutes: Black cordura

BLUETOOTH CONNECTIVITY

Mobile Bluetooth user control

Laptop control

Facility Management Monitoring

SAFETY

Anti collision - hard and soft objects

CERTIFICATES

Surpasses AFARDI BLUE TICK

Surpasses Australian/New Zealand Standard AS/NZS 4442

MOTO

CONFIGURATIONS

FRAME GUIDE

MOTO SINGLE and DOUBLE frames are available in two widths

INBOARD FRAME

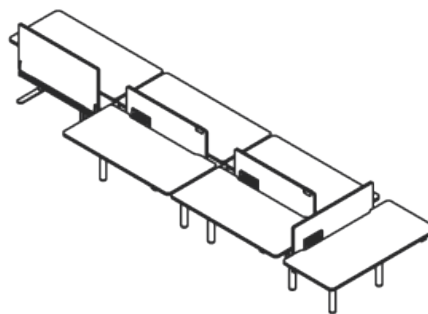
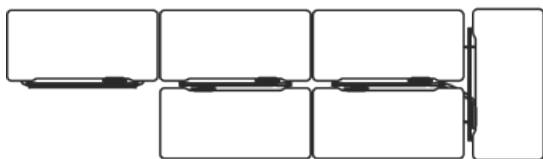
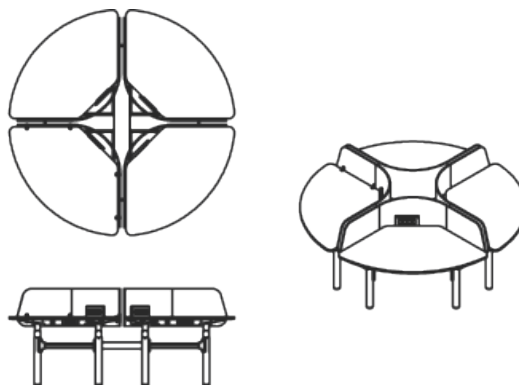
Work tops from 1350 to 1800mm

Fixed screen from 1190 to 1800mm

OUTBOARD FRAME

Work tops from 1800mm to 2400mm

Fixed screen from 1620 to 2400mm



MOTO

An ELEMENTS system designed and developed in-house.

AGENTS:

New South Wales: DISTRICT sydney@district.com.au www.district.com.au

South Australia: AURA info@auraobjects.com www.auraobjects.com

Victoria: DISTRICT melbourne@district.com.au www.district.com.au

Western Australia: DISTRICT perth@district.com.au www.district.com.au

