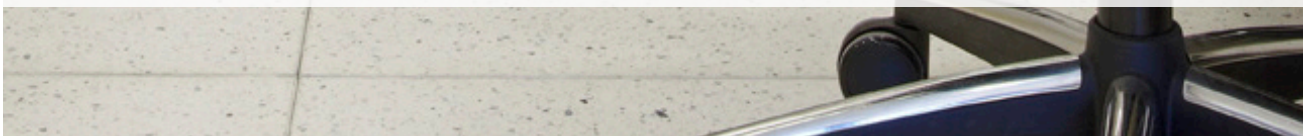




## LIBERTY

Liberty, with Form-Sensing Mesh Technology, is unlike any mesh chair you've seen or experienced. With its tri-panel construction, Liberty has the body-fitting contours that single-panel stretch mesh chairs simply can't achieve. And it offers perfect lumbar support for everyone, without external devices or manual adjustments. Liberty's mesh back is formed by combining three panels of non-stretch mesh in the same way a tailor combines multiple pieces of material to form a shirt. So its contours are custom-made to both fit and support the human body in unprecedented comfort.



# LIBERTY Features & Characteristics



## **BODY FIT**

Size adjustable to fit more than 95% of the population

## **CUSHION PAN, BACK FRAME, FIVE-ARM BASE**

Injection-molded, structural, integral color plastics.

Optional stainless steel caps on base

## **EXTERNAL FRAME**

Die-cast aluminum with fused plastic coating or polished aluminum finish

## **FIREPROOFING**

CAL 133-approved: optional fireproof barrier between textile and foam

## **SELF-ADJUSTING RECLINE**

- Intelligent counter-balance recline mechanism automatically provides the right amount of support through the full range of recline motion, regardless of user size and weight
- No tension springs to adjust
- No recline locks to set/release
- During recline, the angle between torso and legs opens up for better body function
- User maintains near-constant eye level during recline

## **PIVOTING BACKREST**

- Extra motion of the backrest during recline automatically adjusts to the changing needs of the spine
- Provides additional lumbar support as needed

## **ARMREST OPTIONS**

- Armless
- Fixed armrests
- Height-adjustable armrests with 5" range of adjustment
- Armpad Options: Standard Flexible Duron or Duron with Gel for optimal comfort

## **FORM-SENSING MESH**

- Tri-panel, non-stretch mesh construction creates body-fitting contours and self-adjusting lumbar support for a customized fit
- No external lumbar devices to adjust, break or lose
- Low-abrasion mesh protects clothing
- Modular for easy replacement

## **CONTOURED CUSHIONS**

- Carefully sculpted to match body contours
- Increased contact area reduces pressure points
- Modular for easy replacement
- Glueless cushions mean less usage of materials for a more environmentally friendly solution

## **CYLINDER**

- Standard cylinder provides seat height range that accommodates 95% of the population
- Optional low cylinder for small users
- Optional tall cylinder for very tall users
- Optional high cylinder with foot ring

## **OPTIONAL FOOT RING**

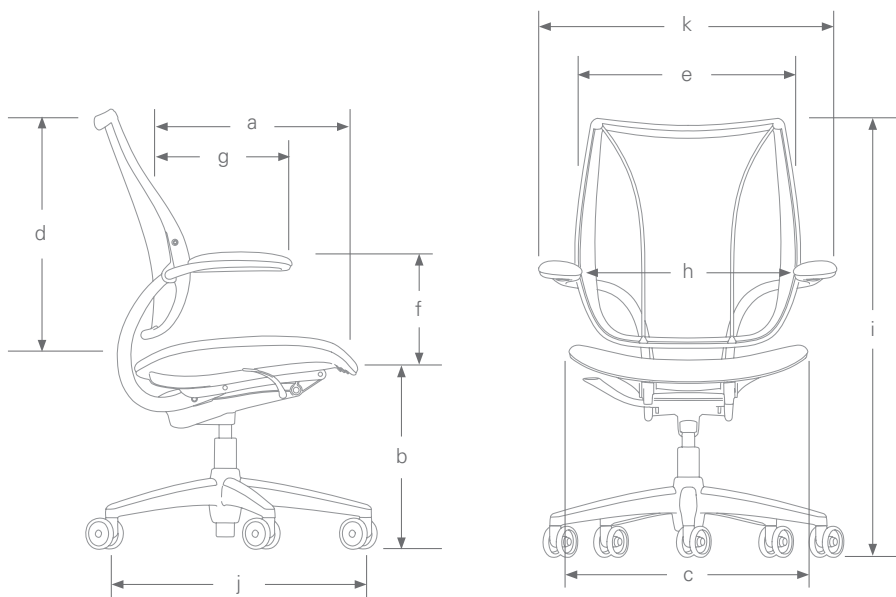
- Polished finish
- Height-adjustable

## **CASTER OPTIONS**

- Standard 3" casters for carpeted floors
- Optional soft casters for hard floors
- Optional non-rolling glides for fixed location use



# LIBERTY Specifications

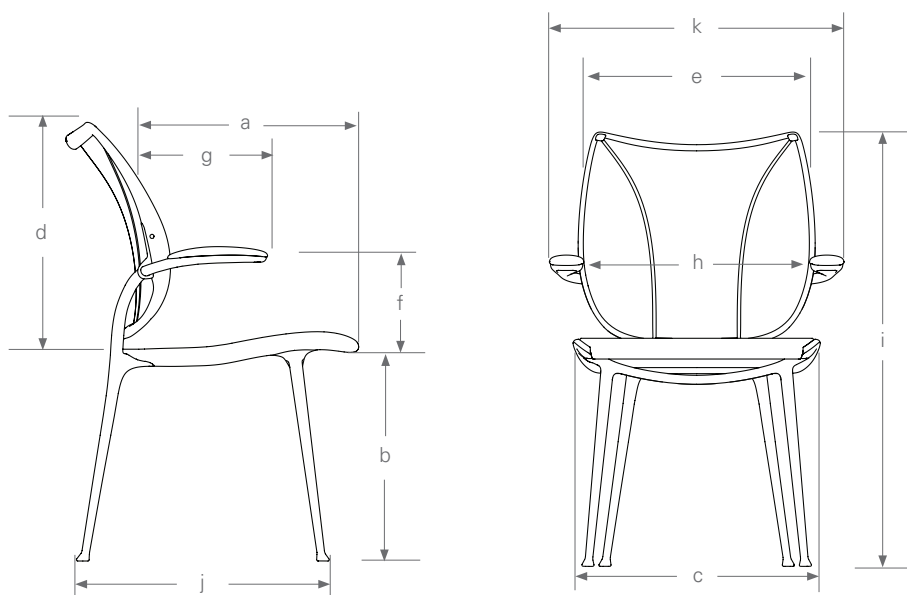


| CODE | DESCRIPTION   | MEASUREMENT  |
|------|---|--|
| a    | seat depth<br><i>(from face of lumbar to front of seat)</i>                   | 16.5" – 18.75"   |
| b    | seat height<br><i>(from floor to compressed front center of seat cushion)</i> | 16.6" - 20.9" standard cylinder chair<br>15.4" - 18.4" low-cylinder chair<br>17.25" - 22.6" tall-cylinder chair<br>21.1" - 28.6" high-cylinder chair<br>16.875" - 19.5" 3" return to height cylinder chair<br>17.125" - 21.875" 5" return to height cylinder chair       |
| c    | seat width  | 21.25"   |
| d    | backrest height<br><i>(from seat cushion to top of backrest)</i>              | 23"  |
| e    | backrest width  | 20"  |
| f    | armrest height<br><i>(from compressed seat cushion to top of armrest)</i>     | 10" fixed<br>6.25"-9.75" adjustable  |
| g    | armrest length<br><i>(from face of lumbar to front of armrest)</i>            | 8.6"   |
| h    | distance between armrests   | 19"  |
| i    | height  | 39.25" - 43.625" standard cylinder chair<br>37.875" - 40.875" low-cylinder chair<br>40.5" - 45.5" tall-cylinder chair<br>43.5" - 51.0" high-cylinder chair<br>39.875" - 42.5" 3" return to height cylinder chair<br>40.125" - 44.875" 5" return to height cylinder chair |
| j    | base diameter   | 25"  |
| k    | chair width   | 26.5" with arms<br>21" without arms  |

| SCOPE OF USERS   |
|--|
| <ul style="list-style-type: none"> <li>Conference/Task chair fits more than 95% of the office population                             <ul style="list-style-type: none"> <li>– 5'0" Woman to 6'4" Man</li> <li>– 100 to 300 lbs.</li> </ul> </li> <li>Users outside the standard range can be accommodated by Low or Tall Cylinder</li> </ul> |
| WEIGHT   |
| <ul style="list-style-type: none"> <li>34 lbs. <i>with arms</i></li> <li>30 lbs. <i>without arms</i></li> </ul>  |
| TILT AND RECLINE   |
| <ul style="list-style-type: none"> <li>17° recline plus 7° backrest tilt<br/><i>Conference/Task chair</i></li> </ul>   |
| REFERENCE ANGLE BETWEEN SEAT AND BACK  |
| <ul style="list-style-type: none"> <li>100° to 124° <i>Conference/Task chair</i></li> </ul>  |



# LIBERTY Specifications



| CODE | DESCRIPTION   | MEASUREMENT |
|------|---|-------------|
| a    | seat depth<br><i>(from face of lumbar to front of seat)</i>                   | 18.5"       |
| b    | seat height<br><i>(from floor to compressed front center of seat cushion)</i> | 18.4"       |
| c    | seat width  | 20.75"      |
| d    | backrest height<br><i>(from seat cushion to top of backrest)</i>              | 20.75"      |
| e    | backrest width  | 20.25"      |
| f    | armrest height<br><i>(from compressed seat cushion to top of armrest)</i>     | 9.1"        |
| g    | armrest length<br><i>(from face of lumbar to front of armrest)</i>            | 12"         |
| h    | distance between armrests   | 19.15"      |
| i    | height  | 36.75"      |
| j    | base diameter   | N/A         |
| k    | chair width   | 25"         |

| SCOPE OF USERS  |
|---|
| <ul style="list-style-type: none"> <li>Side chair fits more than 95% of the office population</li> <li>- 5'0" Woman to 6'4" Man</li> <li>- 100 to 300 lbs.</li> </ul> |
| WEIGHT  |
| <ul style="list-style-type: none"> <li>18 lbs. with arms</li> <li>17 lbs. without arms</li> </ul>   |