

Moonstone Pendant

MSPE

CE IP20 UK CA

Materials

Handmade fiberglass with marble dust finish, thermoformed glass with handmade Battuto finish.

Power Input

220-240V 50-60Hz

Recommended Light bulbs available on request.

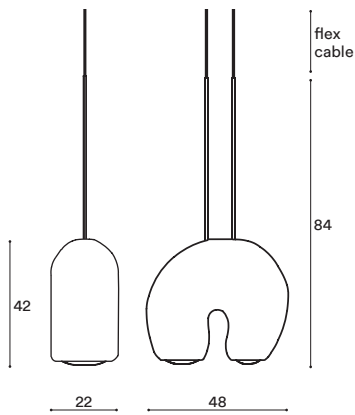


MOONSTONE PENDANT ARCH

CONFIGURATION

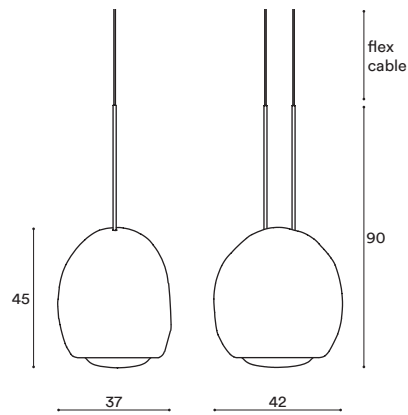
STEP 1 - CHOOSE YOUR MODEL

MODEL (UNIT: CM)



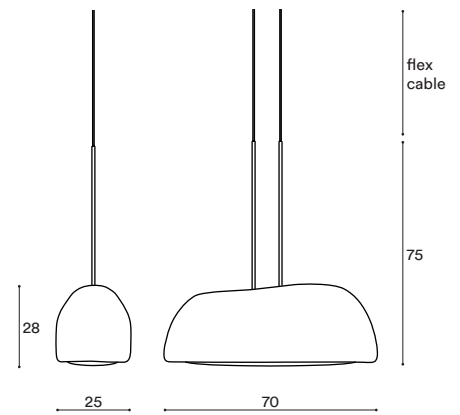
Light Source (not included):
2x GU10 Lightbulb, max. 8.3W
Weight included canopy:
~4.1 kg
Minimum Drop Height:
61 cm

ARCH



Light Source (not included):
3x GU10 Lightbulb, maximum 8.3W
Weight included canopy:
~4.6 kg
Minimum Drop Height:
70 cm

NEST



Light Source (not included):
4x GU10 Lightbulb, maximum 8.3W
Weight included canopy:
~4.9 kg
Minimum Drop Height:
53 cm

SHELL

STEP 2 - CHOOSE YOUR METAL FINISH

METAL FINISH

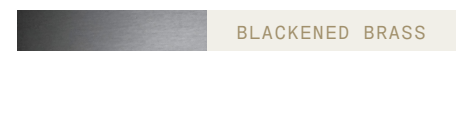


BRUSHED BRASS

BRUSHED NICKEL



BRUSHED BRONZE



BLACKENED BRASS

STEP 3 - CHOOSE YOUR SUSPENSION TYPE

SUSPENSION TYPE



Black Fabric Flex Cable

Drop height adjustable on site:

- 4M
- 10M



White Fabric Flex Cable

Drop height adjustable on site:

- 4M
- 10M



Metal tube

Specify your Drop height in cm to our sales team.

No cable showing
Not adjustable on site

MADE TO ORDER

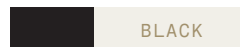
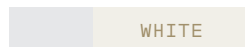
STEP 4 - CHOOSE YOUR CANOPY

CANOPY

+ STANDARD CANOPY

A. We provide a D120 canopy as standard, available in the following finishes:

D120 | Ø12 X 4.5CM

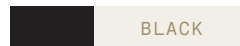
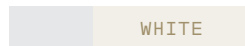


*Custom Canopy Colour (RAL Classic) available on request

+ OTHER CANOPIES AVAILABLE ON REQUEST

B. We can also provide builtin LED drivers with **1-10 Volt, Switch / Push or DALI** dimming, if required by your electrician. This dimming and canopy combination is available in the following finishes:

D50 | Ø5 X 0.7CM



Moonstone Pendant Dome

MSPEDM

CE IP20 UK
CA

Materials

Handmade fiberglass with marble dust finish, thermoformed glass with handmade Battuto finish.

Weight incl. canopy

~7.5 kg

Power Input

220-240V 50-60Hz

Light Source (not included)

4x E27 Lightbulb, maximum 21W



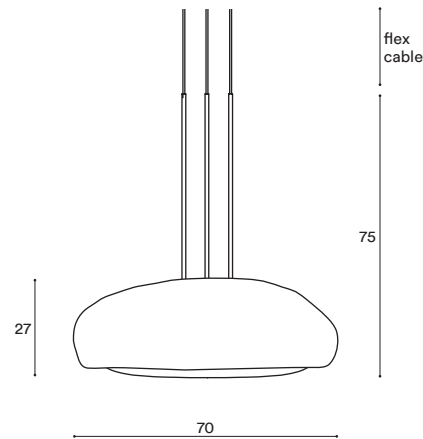
MOONSTONE PENDANT DOME 70

CONFIGURATION

STEP 1 - CHOOSE YOUR METAL FINISH



SIZE (UNIT: CM)



STEP 2 - CHOOSE YOUR SUSPENSION TYPE

SUSPENSION TYPE



Black Fabric Flex Cable

Drop height adjustable on site:

4M

10M



White Fabric Flex Cable

Drop height adjustable on site:

4M

10M



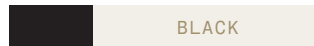
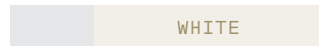
Metal tube

Specify your Drop height in cm to our sales team.
No cable showing
Not adjustable on site
Min. Drop H.: 52 cm

MADE TO ORDER

A. We provide a D170 canopy as standard. Canopy is available in the following finishes:

D170 | Ø17 X 5CM



*Custom Canopy Colour
(RAL Classic) available on request