

# Moonstone Pendant Dome Linen 90

MSPEDL90

CE IP20 UK  
CA

## Materials

Handmade fiberglass with marble dust finish, thermoformed acrylic inglobed with linen fabric.

## Weight incl. canopy

~10.5 kg

## Power Input

220-240V 50-60Hz

## Light Source (not included)

5x E27 Lightbulb, maximum 21W



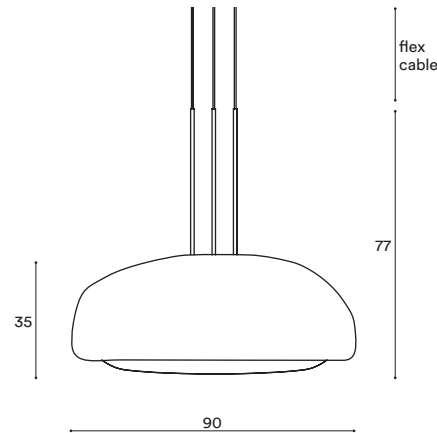
MOONSTONE PENDANT DOME LINEN 90

## CONFIGURATION

### STEP 1 - CHOOSE YOUR METAL FINISH



### SIZE (UNIT: CM)



### STEP 2 - CHOOSE YOUR SUSPENSION TYPE

### SUSPENSION TYPE



#### Black Fabric Flex Cable

Drop height adjustable on site:

4M

10M



#### White Fabric Flex Cable

Drop height adjustable on site:

4M

10M



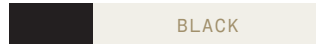
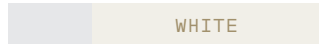
#### Metal tube

Specify your Drop height in cm to our sales team.  
No cable showing  
Not adjustable on site  
Min. Drop H.: 62 cm

MADE TO ORDER

A. We provide a D170 canopy as standard. Canopy is available in the following finishes:

D170 | Ø17 X 5CM



\*Custom Canopy Colour  
(RAL Classic) available on request

# Moonstone Pendant Dome Linen 140

MSPEDL140

CE IP20 UK CA

## Materials

Handmade fiberglass with marble dust finish, thermoformed acrylic inglobed with linen fabric.

## Weight incl. canopy

~21.9 kg

## Power Input

220-240V 50-60Hz

## Light Source (not included)

9x E27 Lightbulb, maximum 21W



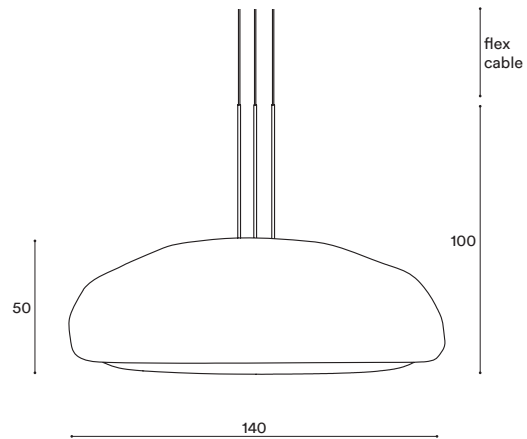
MOONSTONE PENDANT DOME LINEN 140

## CONFIGURATION

### STEP 1 - CHOOSE YOUR METAL FINISH



### SIZE (UNIT: CM)



### STEP 2 - CHOOSE YOUR SUSPENSION TYPE

### SUSPENSION TYPE



#### Black Fabric Flex Cable

Drop height adjustable on site:

4M

10M



#### White Fabric Flex Cable

Drop height adjustable on site:

4M

10M



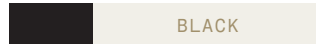
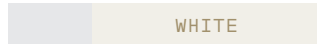
#### Metal tube

Specify your Drop height in cm to our sales team.  
No cable showing  
Not adjustable on site  
Min. Drop H.: 62 cm

MADE TO ORDER

A. We provide a D170 canopy as standard. Canopy is available in the following finishes:

D170 | Ø17 X 5CM



\*Custom Canopy Colour  
(RAL Classic) available on request