

# Cirque Wall Column

CQWACM

CE IP20 UK  
CA

## Materials

Transparent borosilicate glass and hand finished brass.

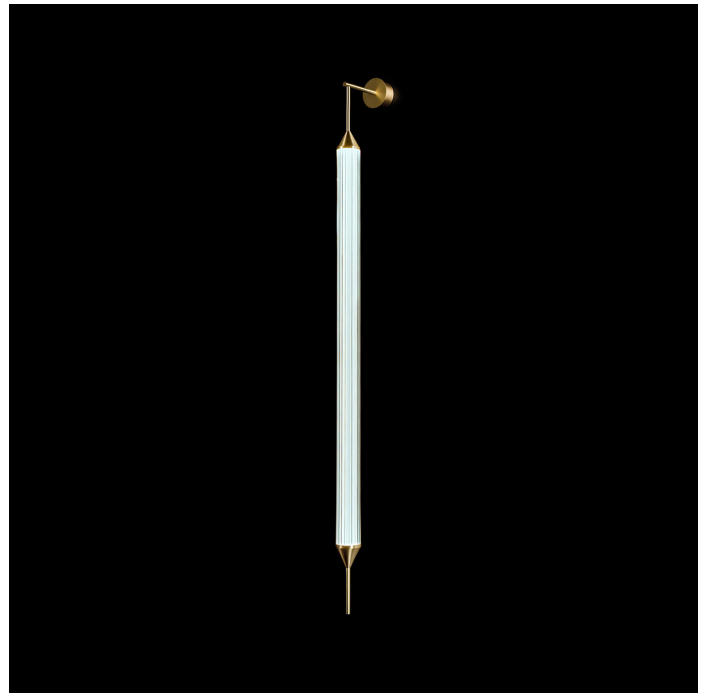
## Power Input

220-240V 50-60Hz

## Light Source (included)

2 Proprietary Cirque LEDs.  
9W, 800Lumens, 2700K warm white.  
CRI>95.

Custom structure dimensions available on request

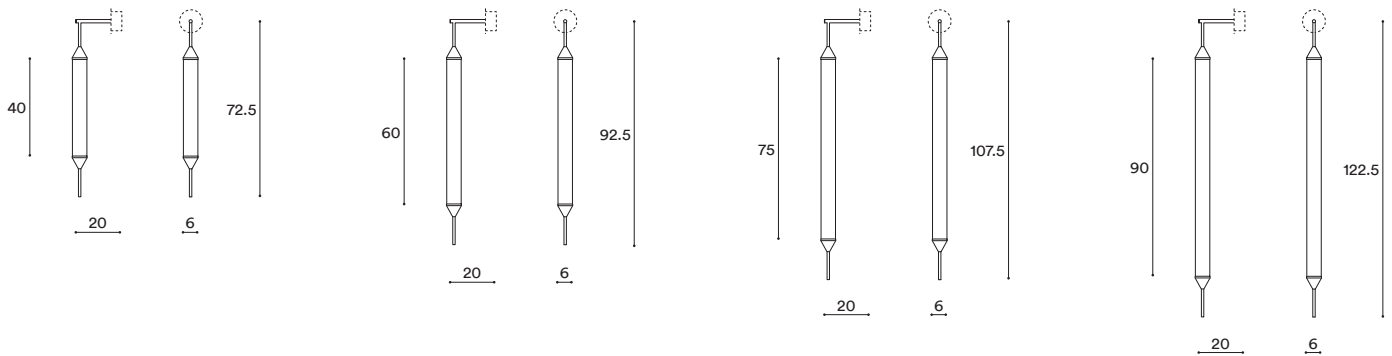


CIRQUE WALL COLUMN 90

## CONFIGURATION

### STEP 1 - CHOOSE YOUR SIZE

SIZE (UNIT: CM)



Weight incl. canopy ~2.5 kg

CQWAC40

Weight incl. canopy ~3 kg

CQWAC60

Weight incl. canopy ~3.5 kg

CQWAC75

Weight incl. canopy ~3.9 kg

CQWAC90

### STEP 2 - CHOOSE YOUR METAL FINISH

METAL FINISH



### STEP 3 - CHOOSE YOUR CANOPY AND DRIVER

CANOPY AND DRIVER

#### + STANDARD BUILTIN PHASECUT DRIVER

A. We provide a D95 canopy with a builtin LED driver with **phasecut dimming** as standard.

D95 | Ø9.5 X 4.5CM



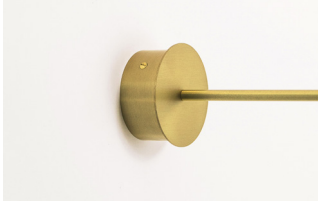
MATCHING FINISH

PHASECUT

**+ OTHER BUILTIN DRIVERS AVAILABLE ON REQUEST**

B. We can also provide builtin LED drivers with **1-10 Volt, or Switch / Push** dimming for D95 circular canopy and **Dali** dimming for D135 circular canopy. These dimming and canopy combinations are available in the following dimensions:

D95 | Ø9.5 X 4.5CM

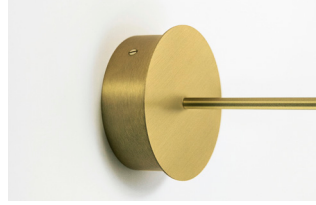


MATCHING FINISH

1-10 VOLT

SWITCH/PUSH

D135 | Ø13.5 X 4.5CM



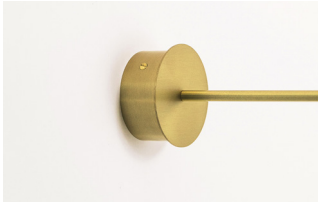
MATCHING FINISH

DALI

**+ REMOTE DRIVERS AVAILABLE ON REQUEST**

B. If your electrician can wire the LED Drivers remotely (rather than builtin to the canopy) we can provide the following options:

D95 | Ø9.5 X 4CM



MATCHING FINISH

PHASECUT

1-10 VOLT

SWITCH/PUSH

DALI