

Cirque Pendant Ellipse Horizontal 75

CQPEEH75

CE IP20 UK
CA

Materials

Transparent borosilicate glass and hand finished brass.

Weight incl. canopy

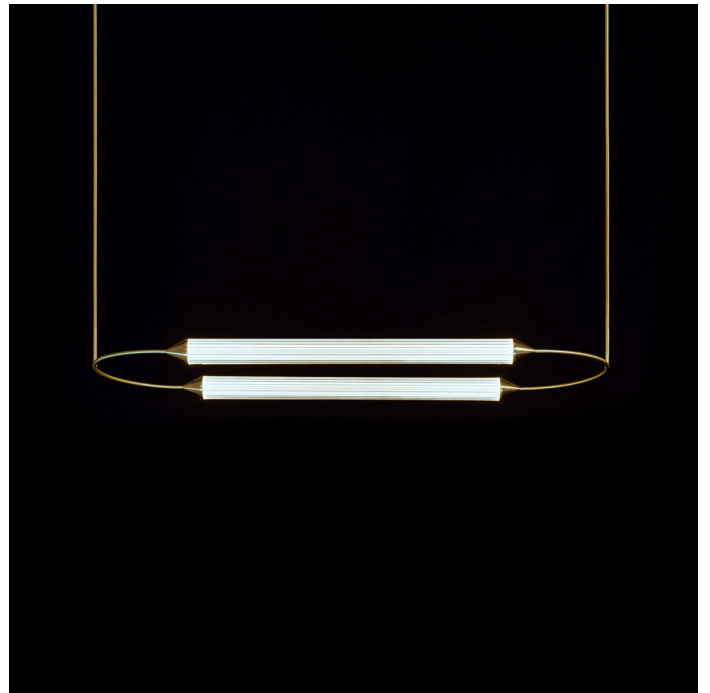
~4.8 kg

Power Input

220-240V 50-60Hz

Light Source (included)

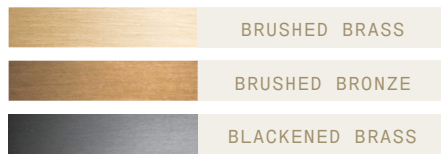
4x Proprietary Cirque LEDs.
18W, 1600 Lumens, 2700K warm white.
CRI>95.



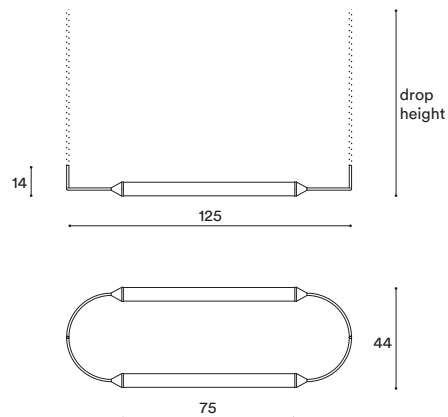
CIRQUE PENDANT ELLIPSE HORIZONTAL 75

CONFIGURATION

STEP 1 - CHOOSE YOUR METAL FINISH



SIZE (UNIT: CM)



STEP 2 - CHOOSE YOUR DROP HEIGHT

DROP HEIGHT

Metal tube suspension

Specify your Drop height in cm to our sales team.

Note:
No cable showing
Not adjustable on site
Minimum: 19 cm

MADE TO ORDER

+ STANDARD BUILTIN PHASECUT DRIVER

A. We provide a L1300 canopy with a builtin LED driver with **phasecut dimming** as standard.

L1300 | 130 X 5 X H5CM

MATCHING FINISH



PHASECUT

+ OTHER BUILTIN DRIVERS AVAILABLE ON REQUEST

B. We can also provide builtin LED drivers with **1-10 Volt, Switch / Push or DALI** dimming for L1300 single linear canopy and **Phasecut, 1-10 Volt, Switch / Push, Dali** dimming for two D120 circular canopies. These dimming and canopy combinations are available in the following dimensions:

L1300 | 130 X 5 X H5CM

MATCHING FINISH



1-10 VOLT
SWITCH/PUSH
DALI

D120 | Ø12 X 4.5CM

MATCHING FINISH



PHASECUT
1-10 VOLT
SWITCH/PUSH
DALI

+ REMOTE DRIVERS AVAILABLE ON REQUEST

B. If your electrician can wire the LED Drivers remotely (rather than builtin to the canopy) we can provide a single L1300 linear canopy or two D60 circular canopies. These dimming and canopy combinations are available as following:

L1300 | 130 X 5 X H5CM

MATCHING FINISH



PHASECUT
1-10 VOLT
SWITCH/PUSH
DALI

D60 | Ø6 X 2CM

MATCHING FINISH



PHASECUT
1-10 VOLT
SWITCH/PUSH
DALI

Cirque Pendant Ellipse Horizontal 90

CQPEEH90

CE IP20 UK
CA

Materials

Transparent borosilicate glass and hand finished brass.

Weight incl. canopy

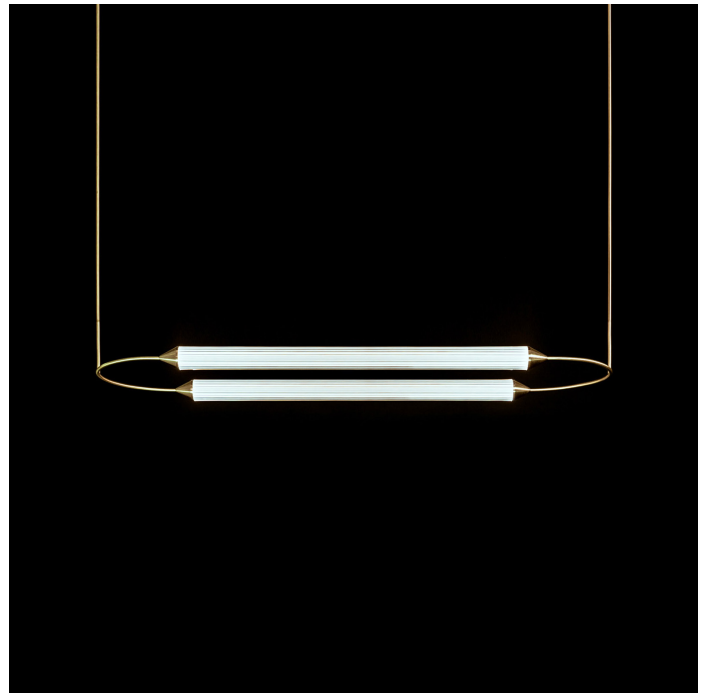
~5.2 kg

Power Input

220-240V 50-60Hz

Light Source (included)

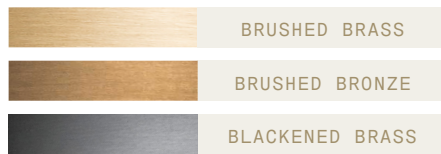
4x Proprietary Cirque LEDs.
18W, 1600 Lumens, 2700K warm white.
CRI>95.



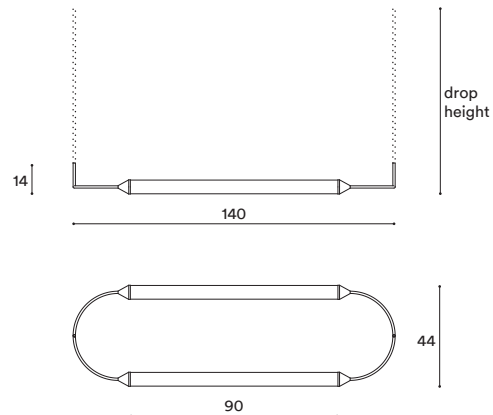
CIRQUE PENDANT ELLIPSE HORIZONTAL 90

CONFIGURATION

STEP 1 - CHOOSE YOUR METAL FINISH



SIZE (UNIT: CM)



STEP 2 - CHOOSE YOUR DROP HEIGHT

DROP HEIGHT

Metal tube suspension

Specify your Drop height in cm to our sales team.

Note:
No cable showing
Not adjustable on site
Minimum: 19 cm

MADE TO ORDER

+ STANDARD BUILTIN PHASECUT DRIVER

A. We provide a L1450 canopy with a builtin LED driver with **phasecut dimming** as standard.

L1450 | 145 X 5 X H5CM

MATCHING FINISH



PHASECUT

+ OTHER BUILTIN DRIVERS AVAILABLE ON REQUEST

B. We can also provide builtin LED drivers with **1-10 Volt, Switch / Push or DALI** dimming for L1450 single linear canopy and **Phasecut, 1-10 Volt, Switch / Push, Dali** dimming for two D120 circular canopies. These dimming and canopy combinations are available in the following dimensions:

L1450 | 145 X 5 X H5CM

MATCHING FINISH



1-10 VOLT
SWITCH/PUSH
DALI

D120 | Ø12 X 4.5CM

MATCHING FINISH



PHASECUT
1-10 VOLT
SWITCH/PUSH
DALI

+ REMOTE DRIVERS AVAILABLE ON REQUEST

B. If your electrician can wire the LED Drivers remotely (rather than builtin to the canopy) we can provide a single L1450 linear canopy or two D60 circular canopies. These dimming and canopy combinations are available as following:

L1450 | 145 X 5 X H5CM

MATCHING FINISH



PHASECUT
1-10 VOLT
SWITCH/PUSH
DALI

D60 | Ø6 X 2CM

MATCHING FINISH



PHASECUT
1-10 VOLT
SWITCH/PUSH
DALI

Cirque Pendant Ellipse Horizontal 120

CQPEEH120

CE IP20 UK
CA

Materials

Transparent borosilicate glass and hand finished brass.

Weight incl. canopy

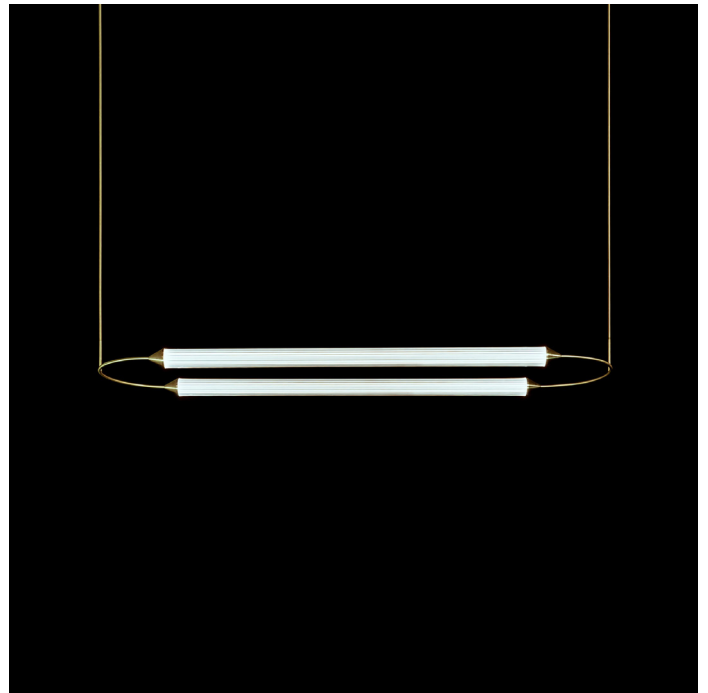
~6 kg

Power Input

220-240V 50-60Hz

Light Source (included)

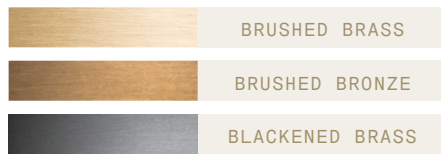
4x Proprietary Cirque LEDs.
18W, 3200 Lumens, 2700K warm white.
CRI>95.



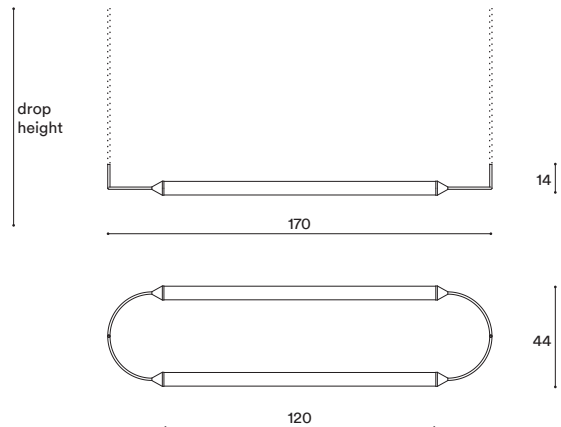
CIRQUE PENDANT ELLIPSE HORIZONTAL 120

CONFIGURATION

STEP 1 - CHOOSE YOUR METAL FINISH



SIZE (UNIT: CM)



STEP 2 - CHOOSE YOUR DROP HEIGHT

DROP HEIGHT

Metal tube suspension

Specify your Drop height in cm
to our sales team.

Note:
No cable showing
Not adjustable on site
Minimum: 19 cm

MADE TO ORDER

+ STANDARD BUILTIN PHASECUT DRIVER

A. We provide a L1750 canopy with a builtin LED driver with **phasecut dimming** as standard.

L1750 | 175 X 5 X H5CM

MATCHING FINISH



PHASECUT

+ OTHER BUILTIN DRIVERS AVAILABLE ON REQUEST

B. We can also provide builtin LED drivers with **1-10 Volt, Switch / Push or DALI** dimming for L1750 single linear canopy and **Phasecut, 1-10 Volt, Switch / Push, Dali** dimming for two D120 circular canopies. These dimming and canopy combinations are available in the following dimensions:

L1750 | 175 X 5 X H5CM

MATCHING FINISH



1-10 VOLT
SWITCH/PUSH
DALI

D120 | Ø12 X 4.5CM

MATCHING FINISH



PHASECUT
1-10 VOLT
SWITCH/PUSH
DALI

+ REMOTE DRIVERS AVAILABLE ON REQUEST

B. If your electrician can wire the LED Drivers remotely (rather than builtin to the canopy) we can provide a single L1750 linear canopy or two D60 circular canopies. These dimming and canopy combinations are available as following:

L1750 | 175 X 5 X H5CM

MATCHING FINISH



PHASECUT
1-10 VOLT
SWITCH/PUSH
DALI

D60 | Ø6 X 2CM

MATCHING FINISH



PHASECUT
1-10 VOLT
SWITCH/PUSH
DALI