

# Cirque Chandelier Gradient Medium

CQCHGA0M

CE IP20 UK  
CA

## Materials

Transparent borosilicate glass and hand finished brass.

## Weight incl. canopy

~11.9 kg

## Power Input

220-240V 50-60Hz

## Light Source (included)

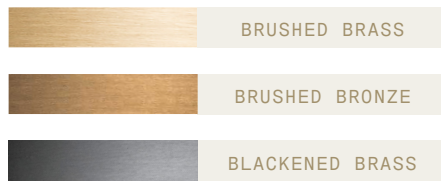
12x Proprietary Cirque LEDs.  
54W, 4800 Lumens, 2700K warm white.  
CRI>95.



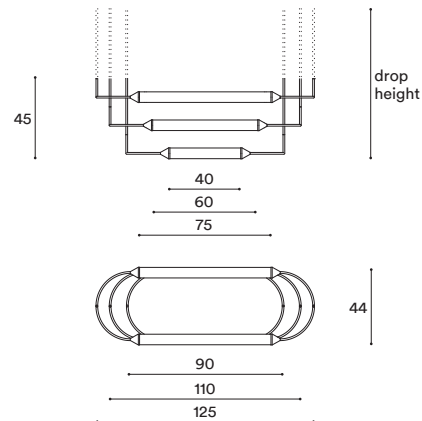
CIRQUE CHANDELIER GRADIENT MEDIUM

## CONFIGURATION

### STEP 1 - CHOOSE YOUR METAL FINISH



### SIZE (UNIT: CM)



### STEP 2 - CHOOSE YOUR DROP HEIGHT

DROP HEIGHT

## Metal tube suspension

Specify your Drop height in cm to our sales team.

Note:  
No cable showing  
Not adjustable on site  
Minimum: 50 cm

MADE TO ORDER

**+ STANDARD BUILTIN PHASECUT DRIVER**

A. We provide a L1300 canopy with a builtin LED driver with **phasecut dimming** as standard.

L1300 | 130 X 5 X H5CM

MATCHING FINISH



PHASECUT

**+ OTHER BUILTIN DRIVERS AVAILABLE ON REQUEST**

B. We can also provide builtin LED drivers with **1-10 Volt, Switch / Push or DALI** dimming for L1300 single linear canopy and **Phasecut, 1-10 Volt, Switch / Push, Dali** dimming for four D120 circular canopies. These dimming and canopy combinations are available in the following dimensions:

L1300 | 130 X 5 X H5CM

MATCHING FINISH



1-10 VOLT  
SWITCH/PUSH  
DALI

D120 | Ø12 X 4.5CM

MATCHING FINISH



PHASECUT  
1-10 VOLT  
SWITCH/PUSH  
DALI

**+ REMOTE DRIVERS AVAILABLE ON REQUEST**

B. If your electrician can wire the LED Drivers remotely (rather than builtin to the canopy) we can provide a single L1300 linear canopy or six D60 circular canopies. These dimming and canopy combinations are available as following:

L1300 | 130 X 5 X H5CM

MATCHING FINISH



PHASECUT  
1-10 VOLT  
SWITCH/PUSH  
DALI

D60 | Ø6 X 2CM

MATCHING FINISH



PHASECUT  
1-10 VOLT  
SWITCH/PUSH  
DALI

# Cirque Chandelier Gradient Large

CQCHGA0L

CE IP20 UK  
CA

## Materials

Transparent borosilicate glass and hand finished brass.

## Weight incl. canopy

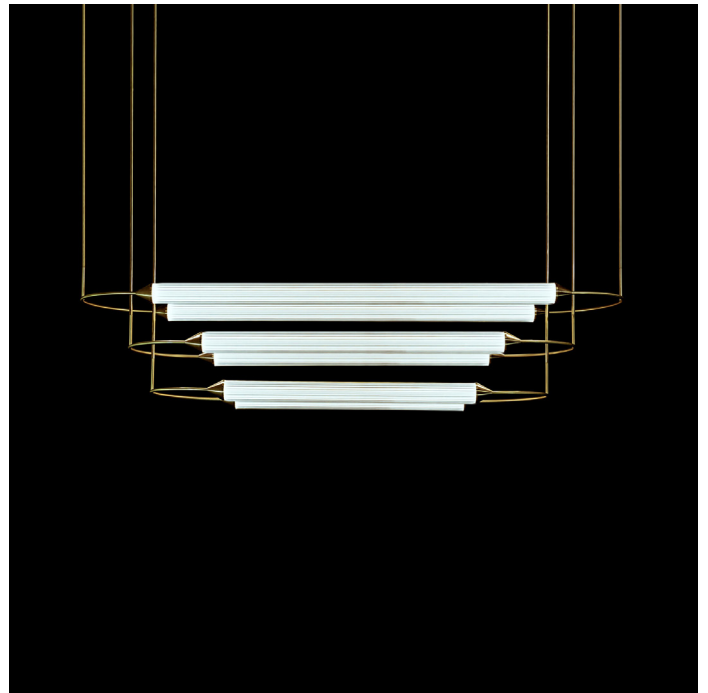
~16 kg

## Power Input

220-240V 50-60Hz

## Light Source (included)

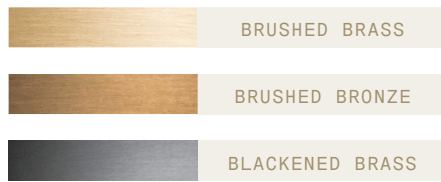
12x Proprietary Cirque LEDs.  
54W, 4800 Lumens, 2700K warm white.  
CRI>95.



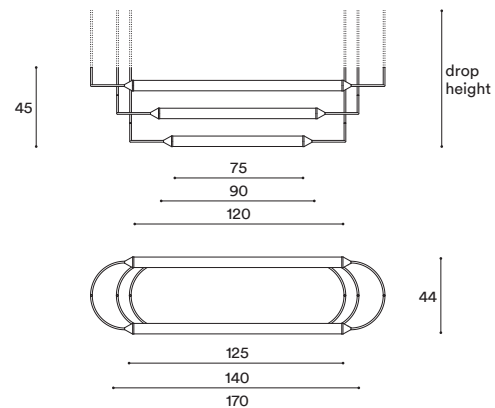
CIRQUE CHANDELIER GRADIENT LARGE

## CONFIGURATION

### STEP 1 - CHOOSE YOUR METAL FINISH



### SIZE (UNIT: CM)



### STEP 2 - CHOOSE YOUR DROP HEIGHT

DROP HEIGHT

## Metal tube suspension

Specify your Drop height in cm to our sales team.

Note:  
No cable showing  
Not adjustable on site  
Minimum: 50 cm

MADE TO ORDER

**+ STANDARD BUILTIN PHASECUT DRIVER**

A. We provide a L1750 canopy with a builtin LED driver with **phasecut dimming** as standard.

L1750 | 175 X 5 X H5CM

MATCHING FINISH



PHASECUT

**+ OTHER BUILTIN DRIVERS AVAILABLE ON REQUEST**

B. We can also provide builtin LED drivers with **1-10 Volt, Switch / Push or DALI** dimming for L1750 single linear canopy and **Phasecut, 1-10 Volt, Switch / Push, Dali** dimming for four D120 circular canopies. These dimming and canopy combinations are available in the following dimensions:

L1750 | 175 X 5 X H5CM

MATCHING FINISH



1-10 VOLT  
SWITCH/PUSH  
DALI

D120 | Ø12 X 4.5CM

MATCHING FINISH



PHASECUT  
1-10 VOLT  
SWITCH/PUSH  
DALI

**+ REMOTE DRIVERS AVAILABLE ON REQUEST**

B. If your electrician can wire the LED Drivers remotely (rather than builtin to the canopy) we can provide a single L1750 linear canopy or six D60 circular canopies. These dimming and canopy combinations are available as following:

L1750 | 175 X 5 X H5CM

MATCHING FINISH



PHASECUT  
1-10 VOLT  
SWITCH/PUSH  
DALI

D60 | Ø6 X 2CM

MATCHING FINISH



PHASECUT  
1-10 VOLT  
SWITCH/PUSH  
DALI