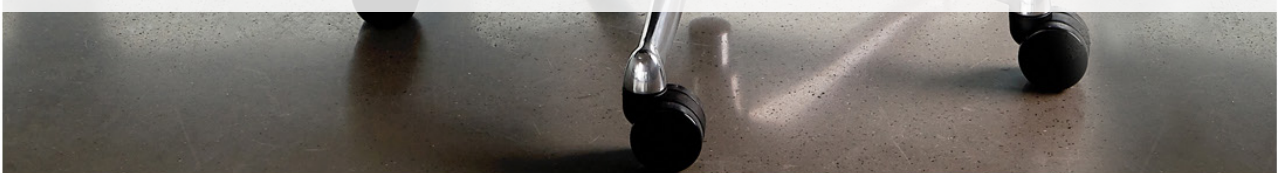




FREEDOM

With Freedom, the knobs, levers and locks of current-generation task chairs have been replaced by intelligent mechanisms that automatically support the body as it moves from task to task. By minimizing the need for manual controls, Freedom maximizes natural, spontaneous movement, which is essential for a healthy body and a comfortable day's work.

Freedom's many features can be enjoyed with virtually no effort.



FREEDOM Features & Characteristics



DYNAMIC HEADREST

- Position-sensitive headrest moves into place when you recline and out of the way when you sit upright
- 5" vertical adjustment to fit all users
- Moves in the natural arc of head/neck for perfect support through range of recline
- Contoured to cradle the head and neck in comfort

SELF-ADJUSTING RECLINE

- Intelligent counter-balance recline mechanism automatically provides the right amount of support through the full range of recline motion, regardless of user size and weight
- No tension springs to adjust
- No recline locks to set / release
- During recline, the angle between torso and legs opens up for better body function
- User maintains near-constant eye level during recline

PIVOTING BACKREST

- Extra motion of the backrest during recline automatically adjusts to the changing needs of the spine
- Provides up to 1" additional lumbar support when needed

SYNCHRONOUS ARMRESTS

- Revolutionary armrests move in tandem to eliminate uneven arm positioning
- Natural lift and release action for immediate repositioning without buttons or locks
- 6" range of vertical motion to accommodate all users and tasks
- Can be positioned below thigh level for close to table or desk work
- Attached to backrest so arms stay in same relation to body during recline
- Duron arm pad for durability and comfort

CUSHIONS

- Carefully sculpted to match body contours
- Increased contact area reduces pressure points
- Modular for easy replacement
- Molded polyurethane foam cushions
- Optional arm pads and seat have top layer of Technogel®
- Upholstered with a variety of materials customized to the unique form of the cushion

GEL SEAT CUSHION

- Non-degradable, non-compressible Technogel® layer on top of foam core
- Provides maximum pressure distribution
- Offers unmatched, long-term comfort

CYLINDER OPTIONS

- Provides seat height range that accommodates 95% of the population
- Low cylinder for small users
- Tall cylinder for very tall users
- High cylinder with foot ring
- Extra-high cylinder with foot ring (Saddle seat only)

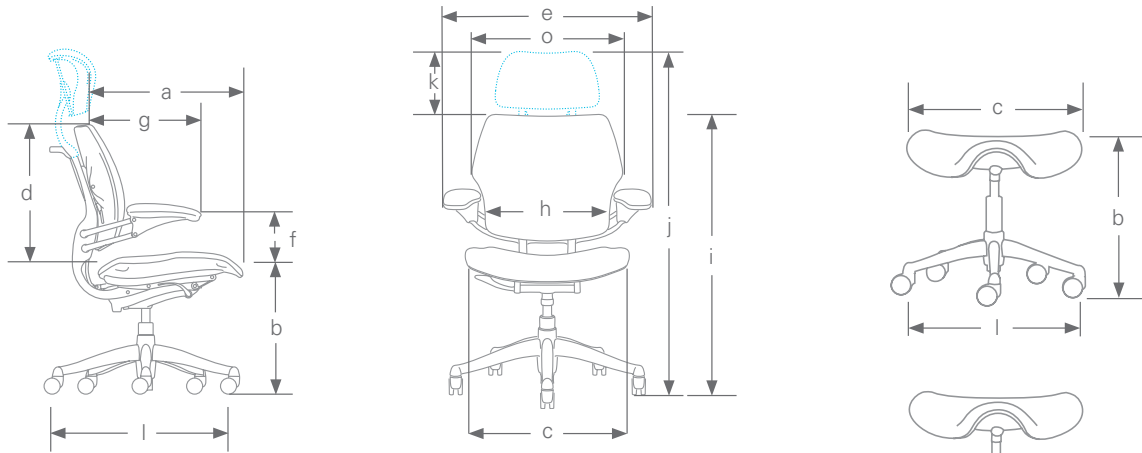
External Frame and OPTIONAL Base UPGRADE

- Die-cast aluminum with fused plastic coating or polished aluminum finish

CASTER OPTIONS

- 2.5" soft double-wheel casters for hard floors
- Non-rolling glides for fixed-location use
- 2.5" locking casters

FREEDOM Specifications



CODE	DESCRIPTION	MEASUREMENT
a	Seat Depth (from face of lumbar to front of seat)	17.40" - 19.85"
b	Seat Height (floor to compressed front center of seat cushion)	16.125" - 20.25" standard cylinder chair 17" - 22.35" tall-cylinder chair 20.25" - 27.75" high-cylinder chair 23.25" - 33.125" extra high-cylinder chair
	Headrest and Task	17.5" - 22.25" return to height cylinder chair
	Saddle and Pony	17.3" - 22.1" standard cylinder stool 16.7" - 20.2" low-cylinder stool 18.2" - 23.2" tall-cylinder stool 19.9" - 27.5" high cylinder stool 22.4" - 32.5" extra-high cylinder with glides
c	Seat Width	21" chair 22" Saddle seat 16" Pony Saddle seat
d	Backrest Height (from seat cushion to top of backrest)	18" - 20.9" 3" in 0.25" increments
e	Chair Width	26.75" with arms 21.1" without arms
f	Armrest Height (compressed seat cushion to top of armrest)	3.75" - 9.6"
g	Armrest Length (from face of lumbar to front of armrest)	8.8"
h	Distance between armrests (front inside edge)	19" standard 18.25" - 21.25" advanced
i	Height, Task Chair	34.625" - 41.775" standard cylinder 36.125" - 44.025" tall-cylinder 39.0" - 49.4" high-cylinder 35.25" - 40.775" 3" return to height cylinder 35.5" - 40.775" 5" return to height cylinder
j	Height, Task Chair with Headrest	42.375" - 54.275" standard cylinder 43.875" - 56.525" tall-cylinder 46.75" - 61.9" high-cylinder 43.0" - 53.275" 3" return to height cylinder 43.0" - 53.275" 5" return to height cylinder
k	Headrest Height Adjustment Range	5"
l	Base Diameter	25" chair, high or extra-high Saddle / Pony 22" standard Saddle / Pony
m	Foot Ring Diameter	18" or 21"
n	Foot Ring Height Adjustment (from floor)	6" - 11"
o	Backrest Width	21"

SCOPE OF USERS
<ul style="list-style-type: none"> Standard chair fits more than 95% of the office population <ul style="list-style-type: none"> 5'0" Woman to 6'4" Man 100 to 300 lbs. Users outside the standard range can be accommodated by <ul style="list-style-type: none"> Low or Tall Cylinder Advanced Armrests
WEIGHT
<ul style="list-style-type: none"> 38 lbs. Headrest with arms 34 lbs. Headrest without arms 34 lbs. Task with arms 30 lbs. Task without arms 14 lbs. Saddle 20 lbs. Saddle with Foot Ring 14 lbs. Pony Saddle 18 lbs. Pony Saddle with Foot Ring
BACKREST RECLINE
<ul style="list-style-type: none"> 22° recline plus 7° backrest tilt
REFERENCE ANGLE BETWEEN SEAT AND BACK
<ul style="list-style-type: none"> 100° to 129°
HEADREST RADIAL MOTION
<ul style="list-style-type: none"> 30°