



# Ovation

Specification Guide

# Ovation

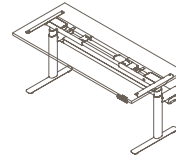
The Ovation Height-Adjustable Workstation System is the latest table system from Thinking Works.

It's unique oval profile and design elements provide countless possibilities and flexibility to suit any workplace environment.

# Ovation

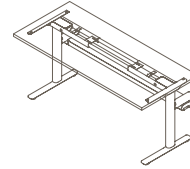
Electric

6-9



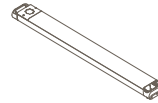
Fixed Height

10-14



Accessories

15-25



Safety Features

26



# Ovation

# Ovation Finishes

## 1. Frame Powdercoat

All steel frame is available in Noir and Blanc powdercoat.



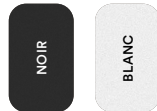
## 2. Cable Tray

Aluminium cable management tray is available in Noir and Blanc powdercoat.



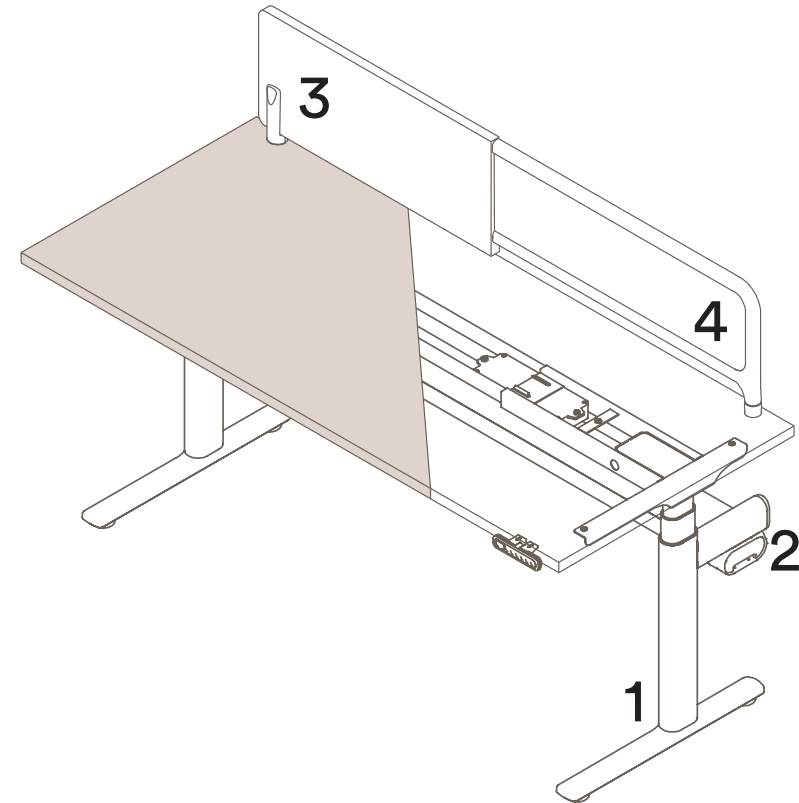
## 3. Acoustic Screen

Our Ovation screen is available in Dark Grey and Light Grey acoustic panel. Screen mounts are finished in Noir and Blanc powdercoat.



## 4. Framed Acoustic Screen

Our unique Ovation framed screen is available in Dark Grey and Light Grey acoustic panel or upholstered with customer supplied fabric. The aluminium frame is finished in Noir and Blanc powdercoat.



Colours are representative only, please check with your Thinking Works consultant to view samples of any specific colour.

# Ovation - Electric Features

---

## Dimensions

Minimum Height	590mm
Maximum Height	1210mm

*(Dimensions to underside of worktop)*

Weight Capacity 2 leg	100kg
Weight Capacity 3 Leg	150kg

*(Evenly Distributed Load including worktop)*

*(Maximum Point Load 30kg)*

---

## Functions

- 3 programmable height settings with Electronic Display
- Built-in Impact Stop Function
- 3 Stage lifting Column with Spindle Drive
- Travel Speed = 35mm/Second
- Noise <50dB
- Standby power consumption 0.5W

---

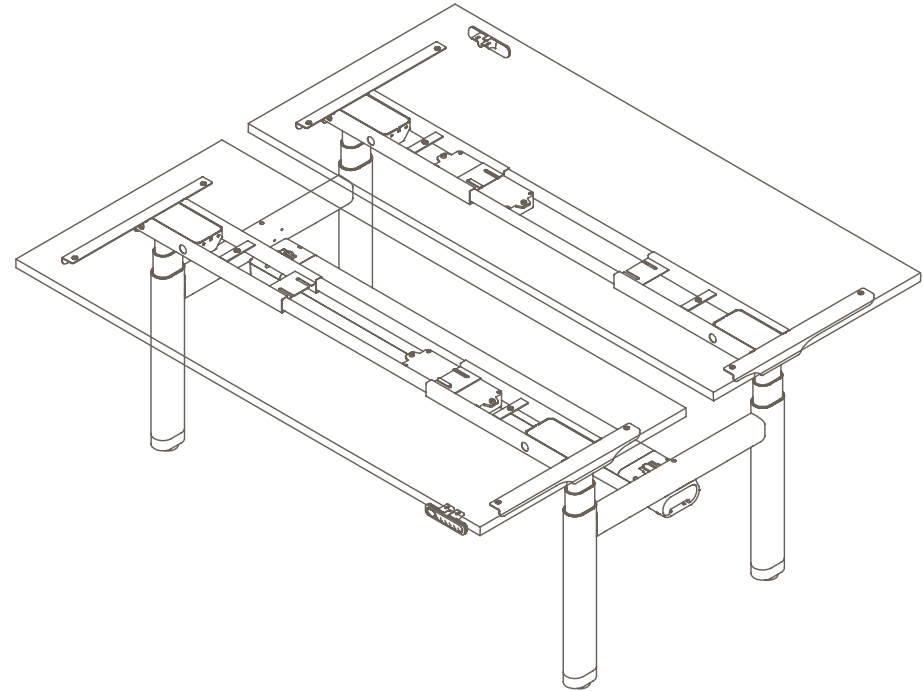
## Warranty

Electric Frame	10yrs
Electrical Components	5yrs

---

## Country of Origin

Australia



For additional Technical Information, please check with your local Thinking Works consultant.

# Ovation - Electric Single Sided

## Materials Information

### Frame Finish

Powdercoat Steel

- a. Noir
- b. Blanc

### Control Box & Handset Finish

- a. Black

### Operating Noise Level

<50Db

### Height Range

590mm to 1210mm to underside of worktop

### Travel Speed

35/mm per second

### Glide Adjustment

Plus or minus 5mm

### Handset

3 programmable height settings with electronic display

Maximum inc. worktop 100kg  
 Maximum Point Load 30kg  
 Seats 1

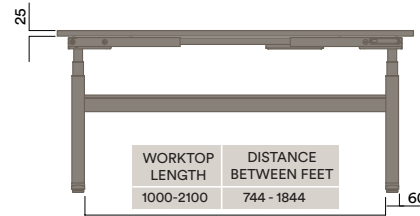
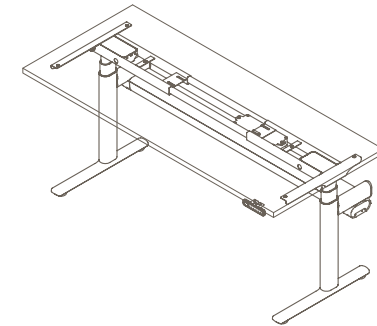
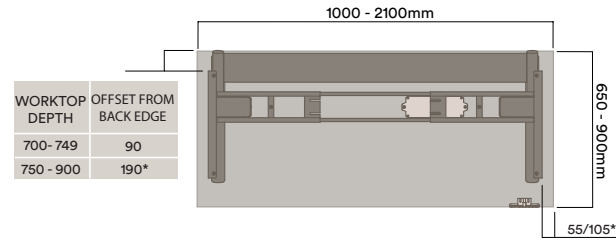
### Notes:

\* Larger rear offset is optional & can be used for additional accessories.

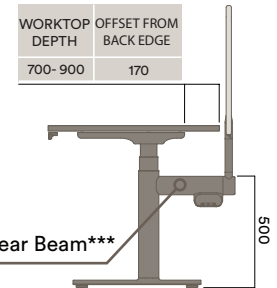
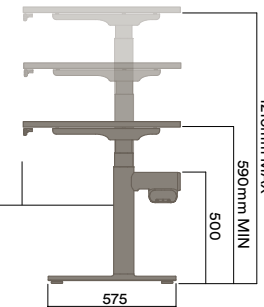
\*\*Side Offset can vary depending on screen size.

\*\*\*TW recommends longer rear beam of OV-0506 when used with frame mounted rear screen.

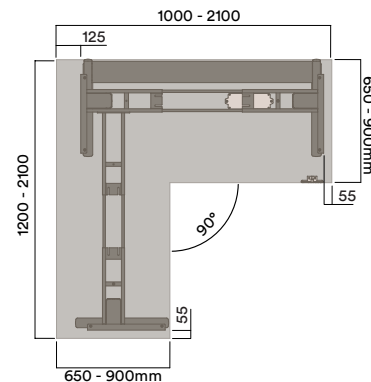
## OVE-1000



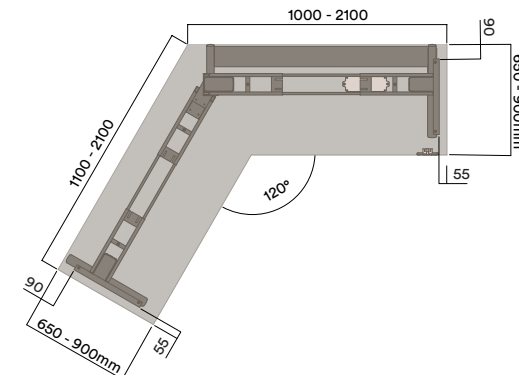
WORKTOP DEPTH	FRONT EDGE TO LEG
700	405
800	405
900	505



## OVE-1090 1pax 90deg



## OVE-1120 1pax 120deg



# Ovation - Electric Double Sided

## Materials Information

### Frame Finish

Powdercoat Steel

- a. Noir
- b. Blanc

### Control Box & Handset Finish

- a. Black

### Operating Noise Level

<50Db

### Height Range

590mm to 1210mm to underside of worktop

### Travel Speed

35/mm per second

### Glide Adjustment

Plus or minus 5mm

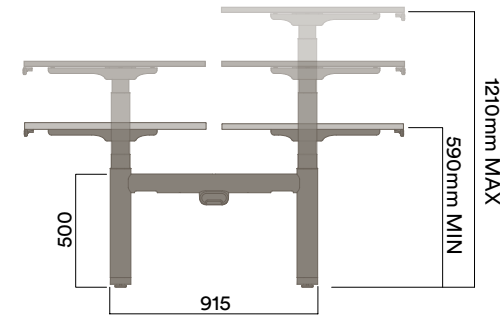
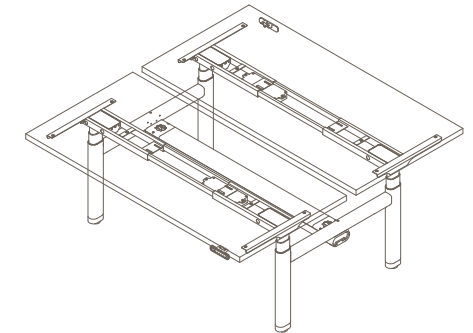
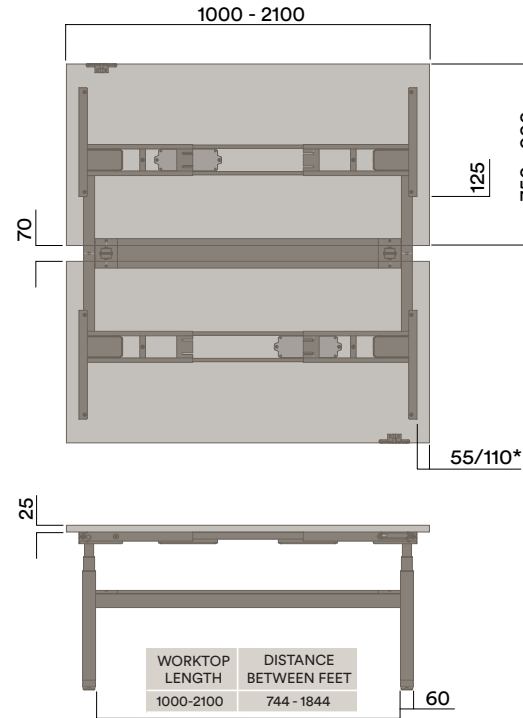
### Handset

3 programmable height settings with electronic display

Maximum inc. worktop 150kg  
 Maximum Point Load 30kg  
 Seats 2

## OVE-2000 2pax

## H-Frame

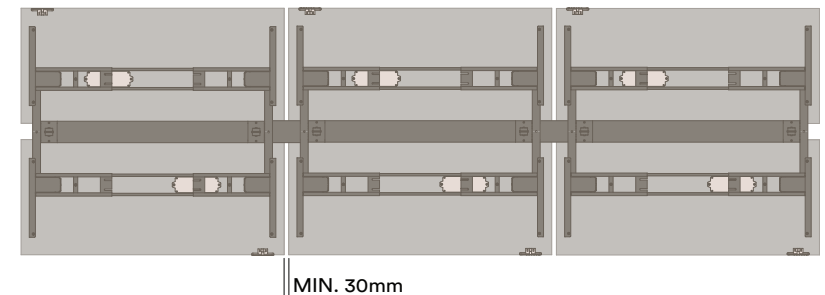
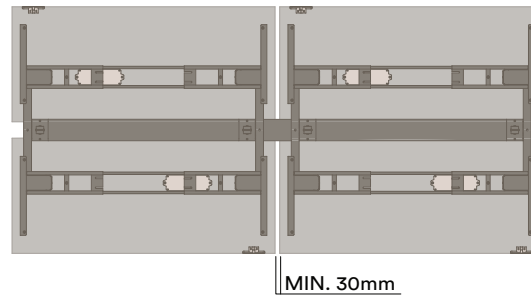


## 2x OVE-2000

## 4pax Configuration

## 3x OVE-2000

## 6pax Configuration



### Notes:

\*Side Offset can vary depending on screen size.

\*\* Cable Tray required on all H-frame configurations



# Ovation - Electric Double Sided

## Materials Information

### Frame Finish

Powdercoat Steel

- a. Noir
- b. Blanc

### Control Box & Handset Finish

- a. Black

### Operating Noise Level

<50Db

### Height Range

590mm to 1210mm to underside of worktop

### Travel Speed

35/mm per second

### Glide Adjustment

Plus or minus 5mm

### Handset

3 programmable height settings with electronic display

Maximum inc. worktop	150kg
Maximum Point Load	30kg
Seats	3 - 4

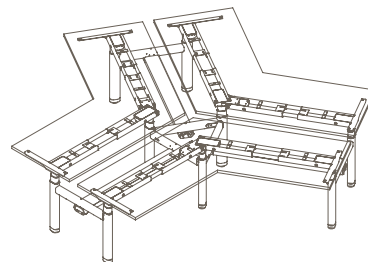
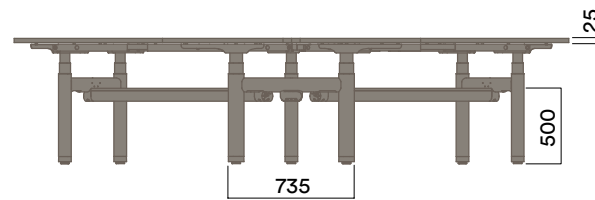
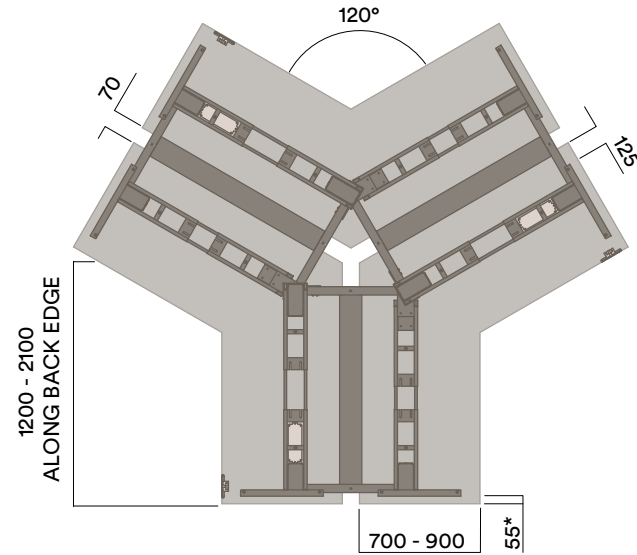
### Notes:

\*Side Offset can vary depending on screen size.

\*\* Cable Tray required on all H-frame configurations

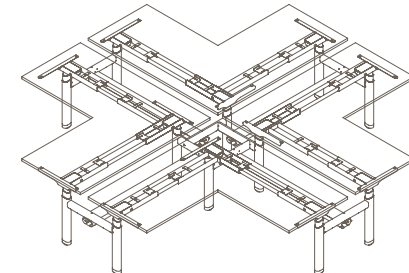
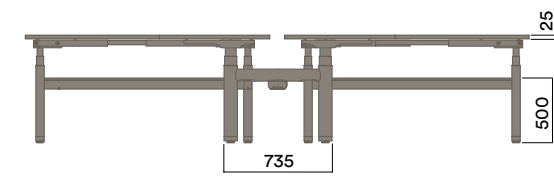
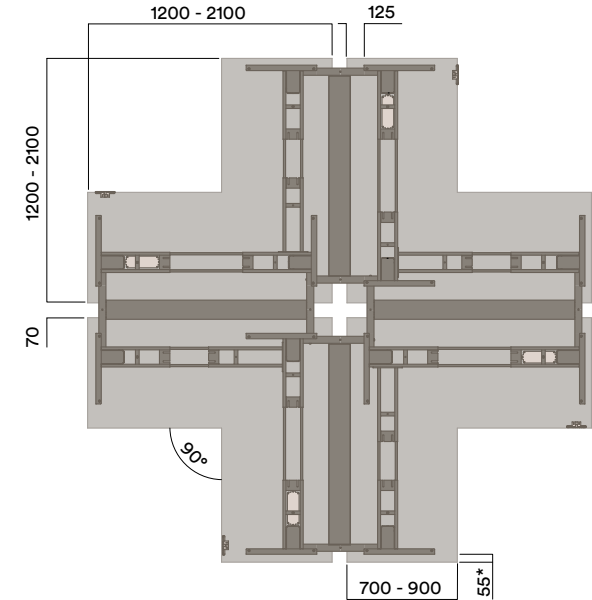
OVE-3120 3pax

120deg H-Frame



OVE-4090 4pax

90deg H-Frame



# Ovation - Fixed Features

---

## Dimensions

Standard Height            715mm

*(Dimensions to underside of worktop)*

Weight Capacity 2 leg      100kg

Weight Capacity 3 Leg     150kg

*(Evenly Distributed Load including  
worktop)*

*(Maximum Point Load 30kg)*

---

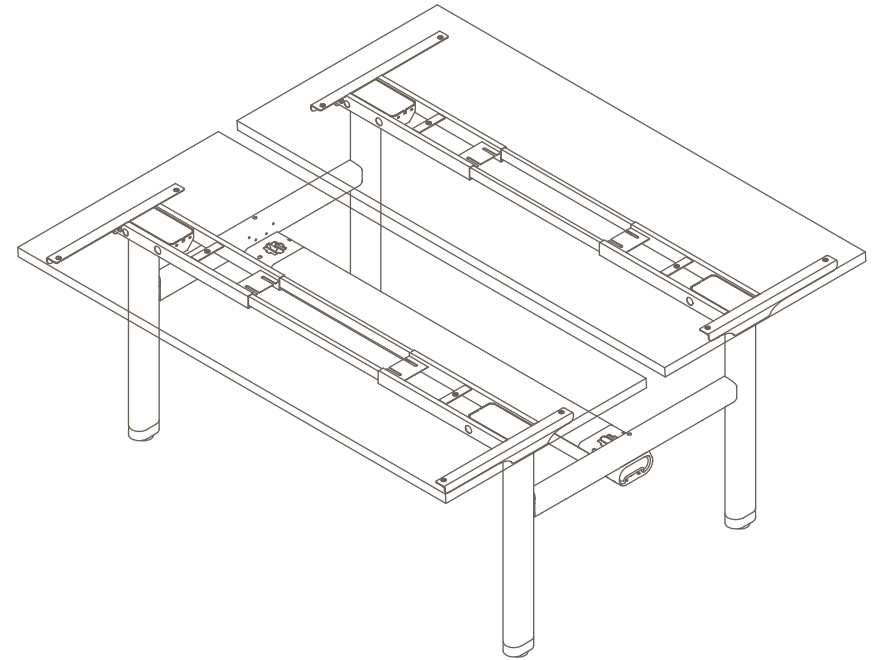
## Warranty

Fixed Frame                10yrs

---

## Country of Origin

Australia



For additional Technical Information, please check with your local Thinking Works consultant.

# Ovation - Fixed Single Sided

## Materials Information

### Frame Finish

Powdercoat Steel

- a. Noir
- b. Blanc

### Height

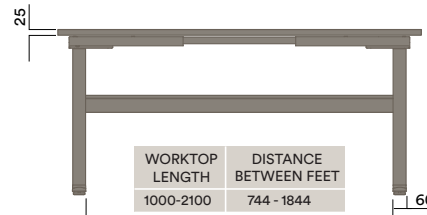
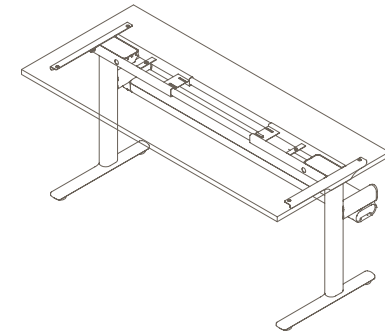
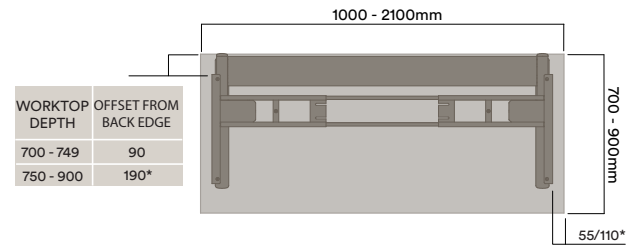
715mm to underside of worktop

### Glide Adjustment

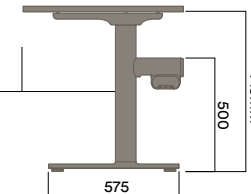
Plus or minus 5mm

Maximum inc. worktop	100kg
Maximum Point Load	30kg
Seats	1-3+

## OVF-1000

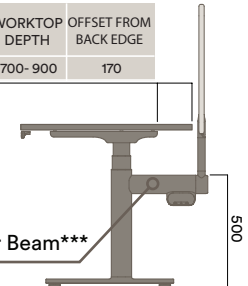


WORKTOP DEPTH	FRONT EDGE TO LEG
700	405
800	405
900	505

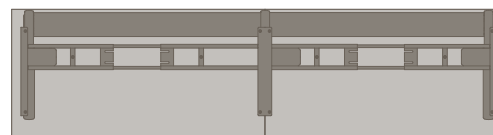


WORKTOP DEPTH	OFFSET FROM BACK EDGE
700 - 900	170

OV-0506  
Longer Rear Beam\*\*\*



## OVF-1002 2pax



## OVF-1003 3pax



### Notes:

\* Larger rear offset is optional & can be used for additional accessories.

\*\*Side Offset can vary depending on screen size.

\*\*\*TW recommends longer rear beam of OV-0506 when used with frame mounted rear screen.

# Ovation - Fixed Single Sided

## Materials Information

### Leg & Foot Finish

Powdercoat Steel Leg & Foot

- a. Noir
- b. Blanc

### Frame Finish

Powdercoat Steel

- a. Noir
- b. Blanc

### Height

715mm to underside of worktop

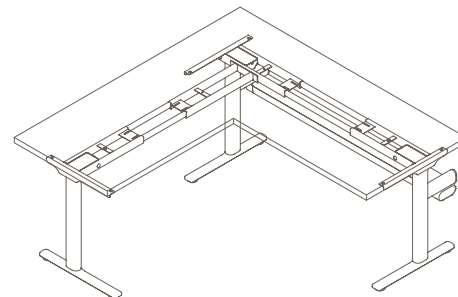
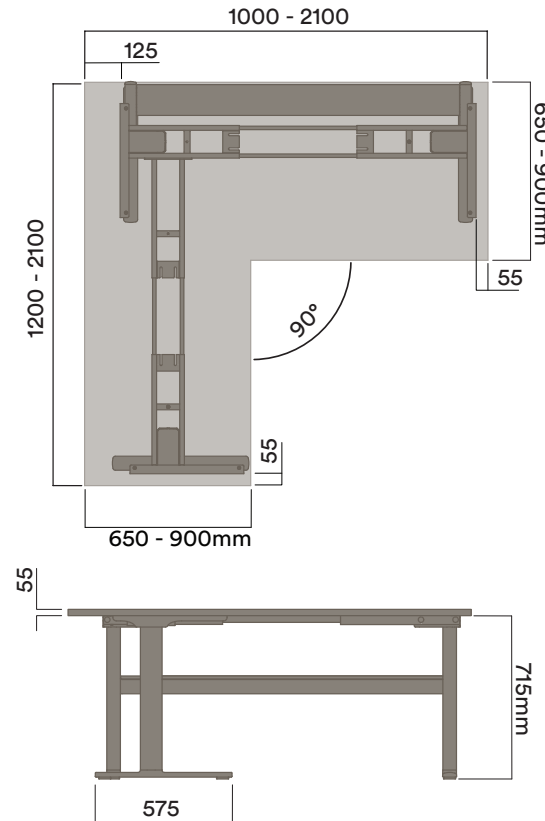
### Glide Adjustment

Plus or minus 5mm

Maximum inc. worktop	150kg
Maximum Point Load	30kg
Seats	1

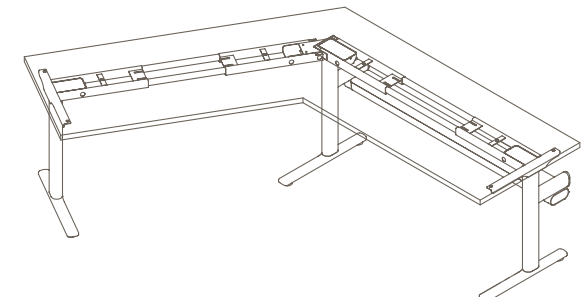
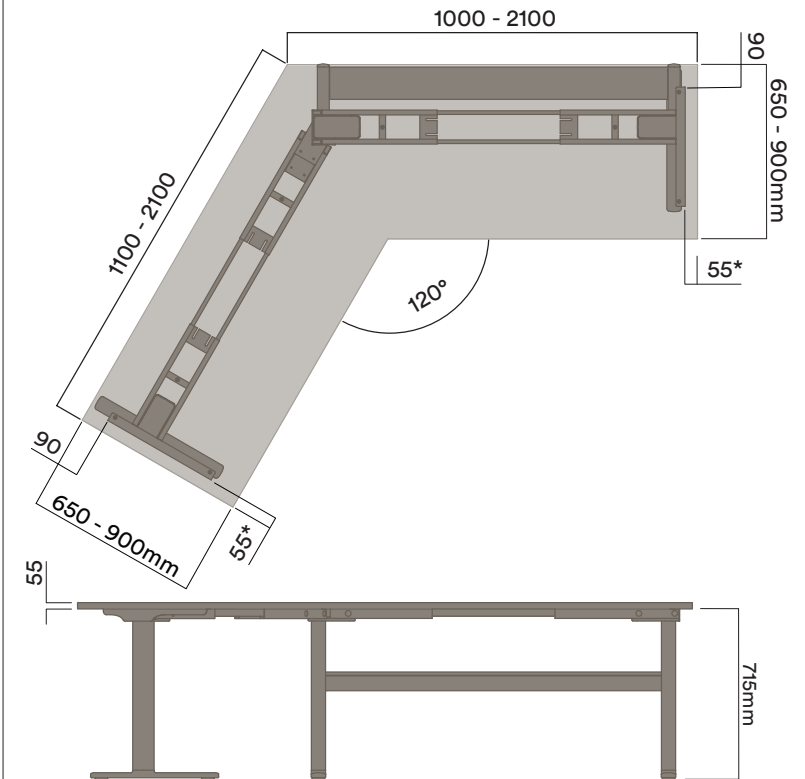
OVF-1090 1pax

90deg



OVF-1120 1pax

120deg



### Notes:

\* Larger rear offset is optional & can be used for additional accessories.

\*\*Side Offset can vary depending on screen size.

# Ovation - Fixed Double Sided

## Materials Information

### Leg & Foot Finish

Powdercoat Steel Leg & Foot

- a. Noir
- b. Blanc

### Frame Finish

Powdercoat Steel

- a. Noir
- b. Blanc

### Height

715mm to underside of worktop

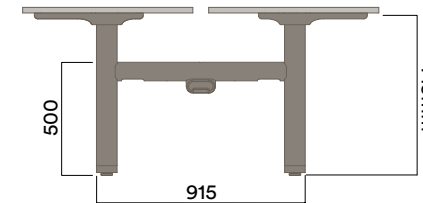
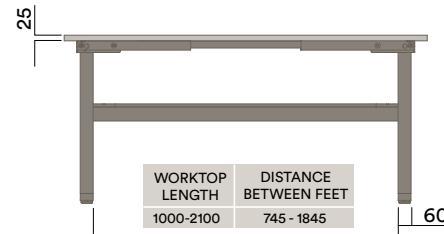
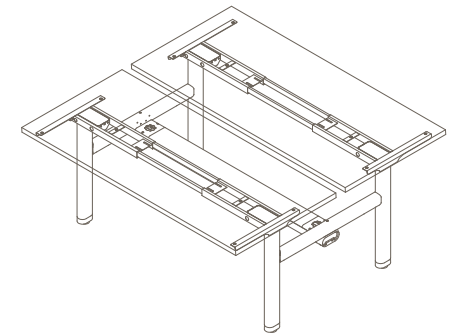
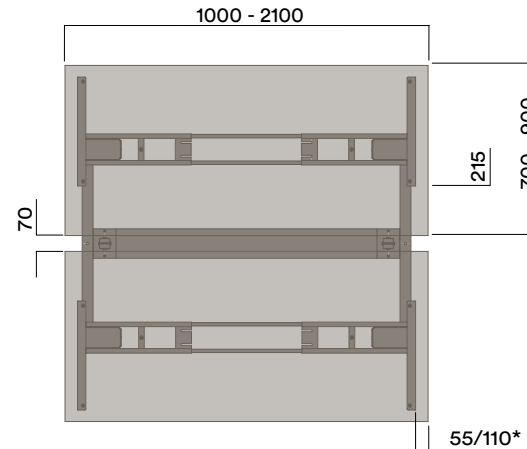
### Glide Adjustment

Plus or minus 5mm

Maximum inc. worktop 100kg  
 Maximum Point Load 30kg  
 Seats 2+

OVF-2002 2pax

H-Frame

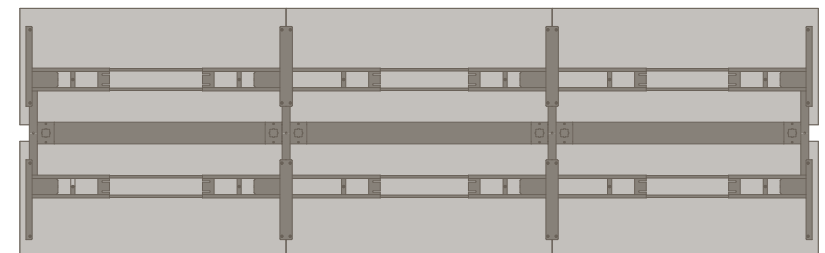
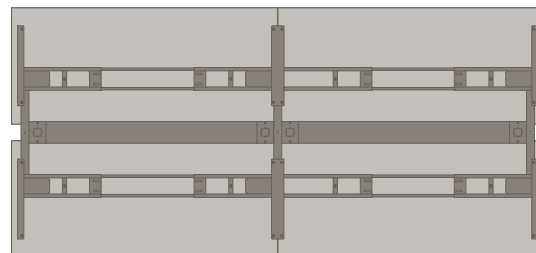


2x OVF-2004

4pax Configuration

3x OVF-2006

6pax Configuration



### Notes:

\*Side Offset can vary depending on screen size.

\*\* Cable Tray required on all H-frame configurations

# Ovation - Fixed Double Sided

## Materials Information

### Leg & Foot Finish

Powdercoat Steel Leg & Foot

- a. Noir
- b. Blanc

### Frame Finish

Powdercoat Steel

- a. Noir
- b. Blanc

### Height

715mm to underside of worktop

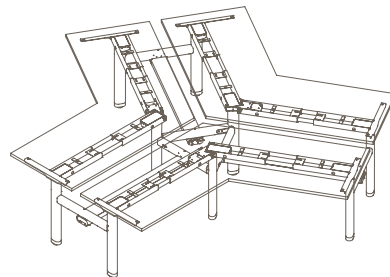
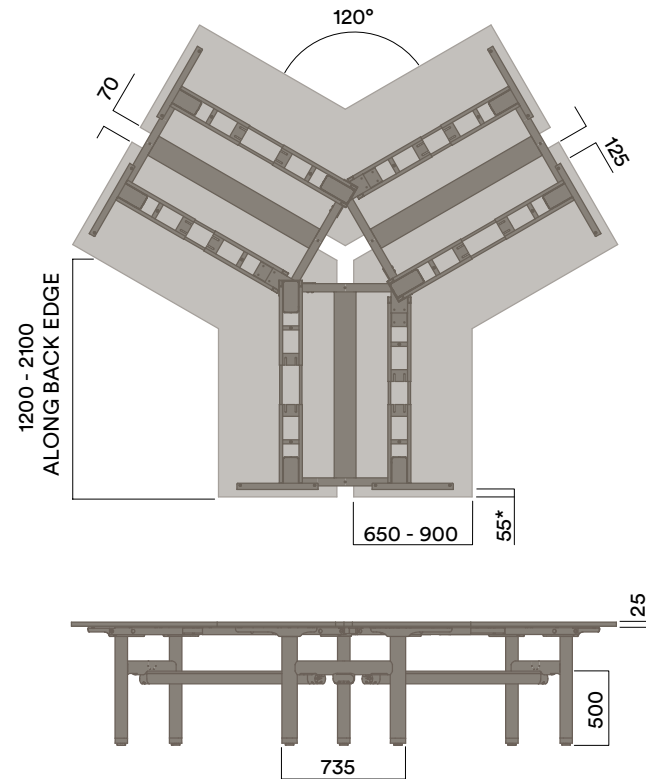
### Glide Adjustment

Plus or minus 5mm

Maximum inc. worktop	100kg
Maximum Point Load	30kg
Seats	3 or 4

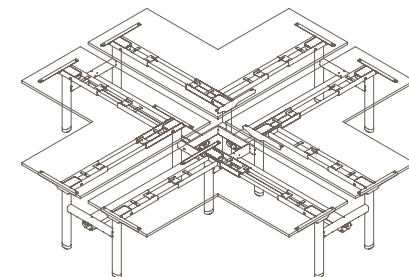
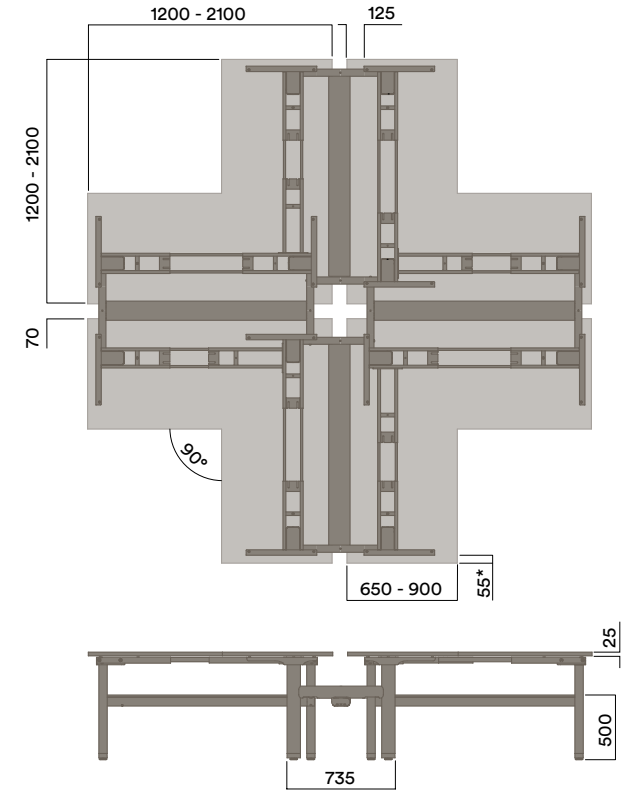
## OVF-3000

### 120deg H-Frame



## OVF-4000

### 90deg H-Frame



### Notes:

\*Side Offset can vary depending on screen size.

\*\* Cable Tray required on all H-frame configurations

# Ovation - Accessories

## Cable Management

### Materials Information

#### Cable Tray Body

Powdercoat Aluminium

- a. Noir
- b. Blanc

#### Cable Tray Lid

Powdercoat Aluminium Extrusion

- a. Noir
- b. Blanc

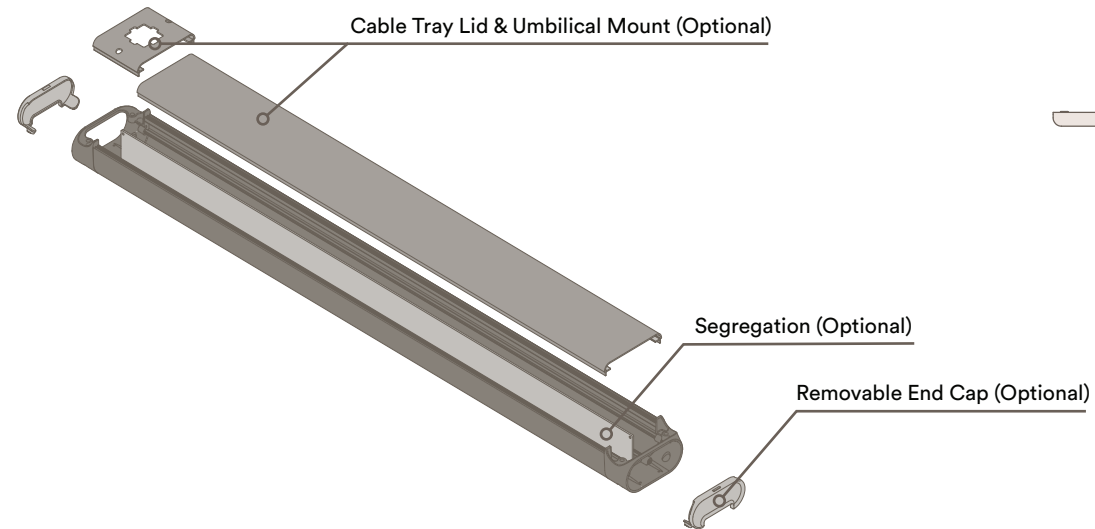
#### Cable Tray End Caps

Plastic

- a. Noir
- b. Blanc

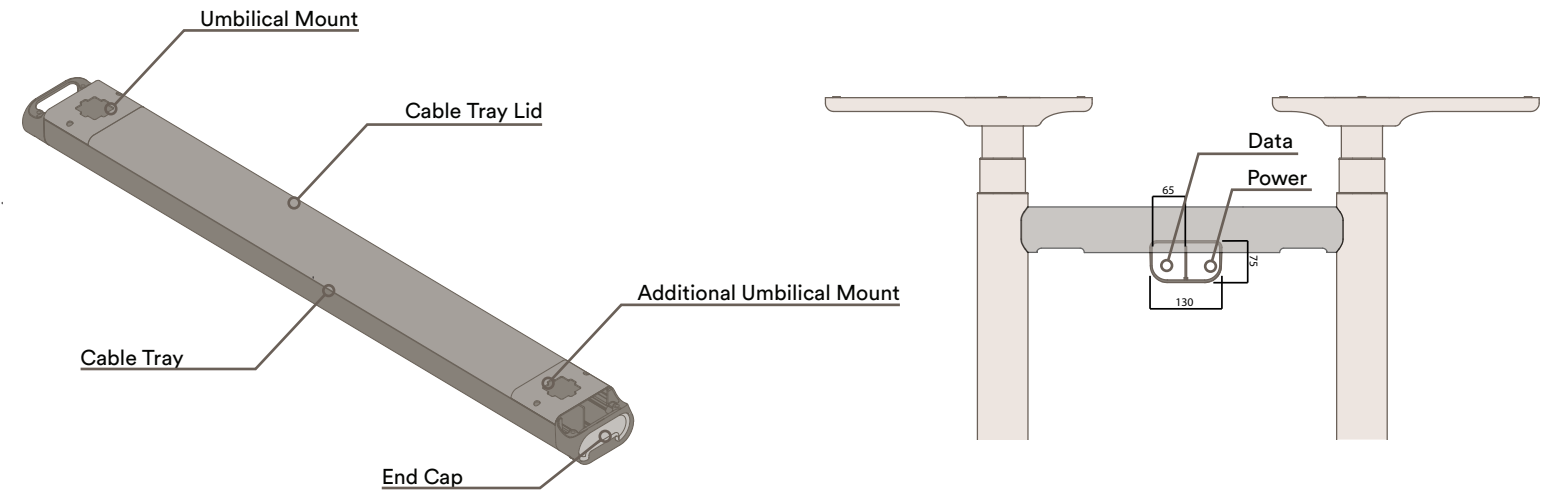
### WSA-1100 Series

### Single Sided Cable Tray



### WSA-2000 Series

### Double Sided Cable Tray



# Ovation - Accessories

## Cable Management

### Materials Information

WSA-5010 Series

Cable Tray Bridge

175-250mm

### Cable Tray Bridge Body

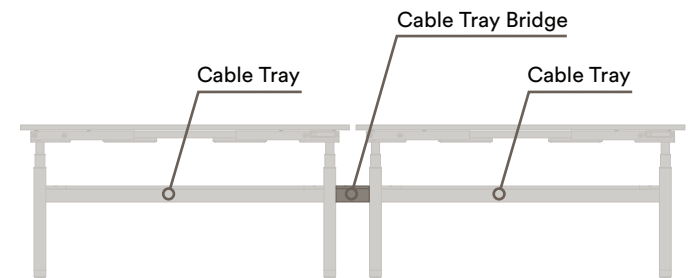
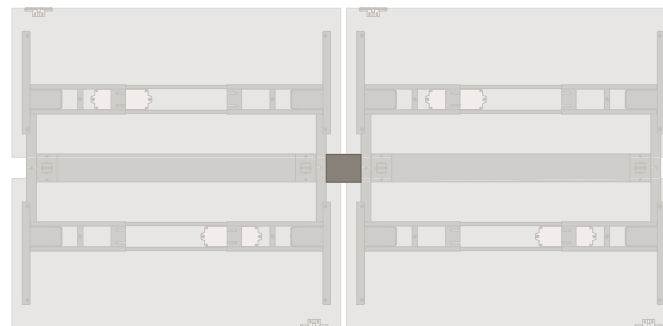
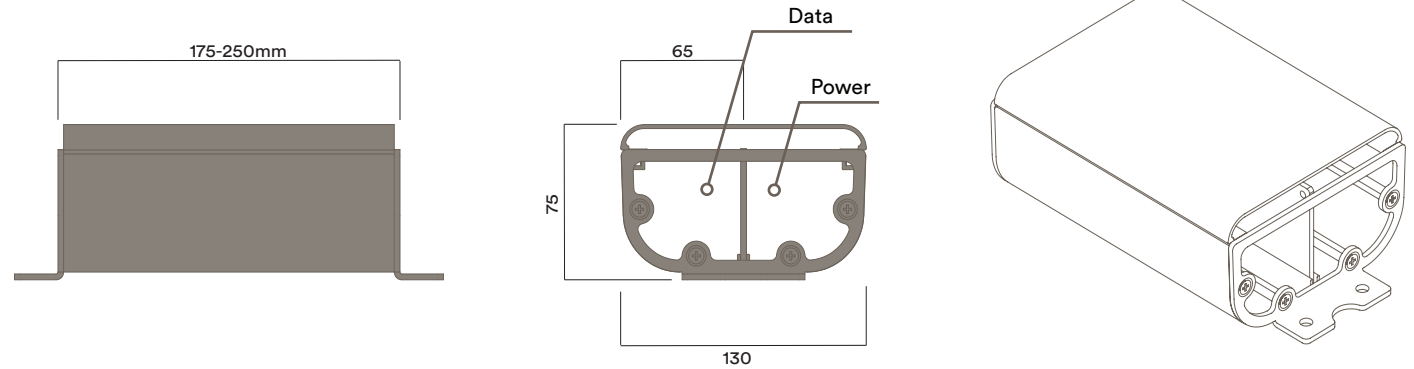
Powdercoat Aluminium

- a. Noir
- b. Blanc

### Cable Tray Bridge Lid

Powdercoat Aluminium Extrusion

- a. Noir
- b. Blanc





# Ovation - Accessories

## Cable Management

### Materials Information

#### Cable Umbilical

Moulded Plastic

- a. White
- b. Black

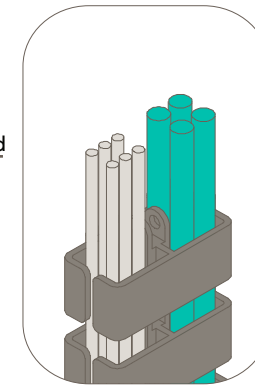
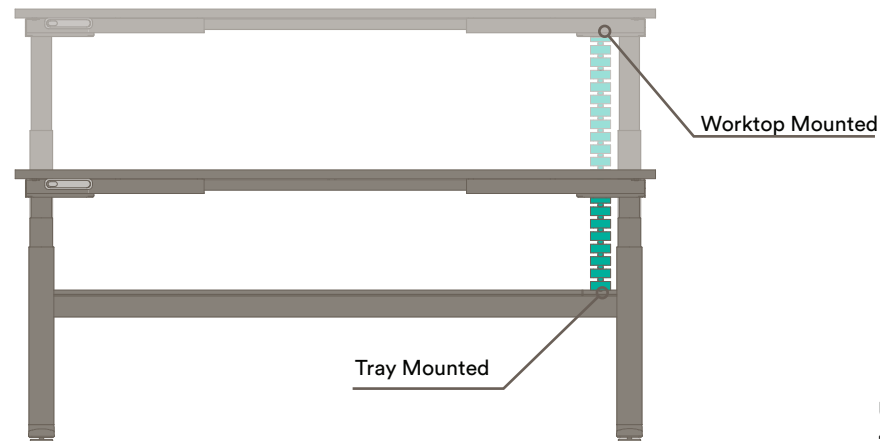
#### Fabric Umbilical

Fabric

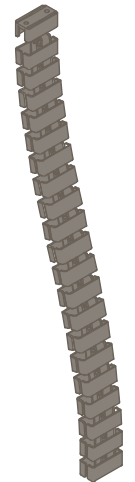
- a. Light Grey
- b. Dark Grey

WSA-5001

Plastic Cable Umbilical

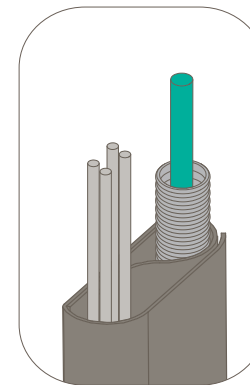
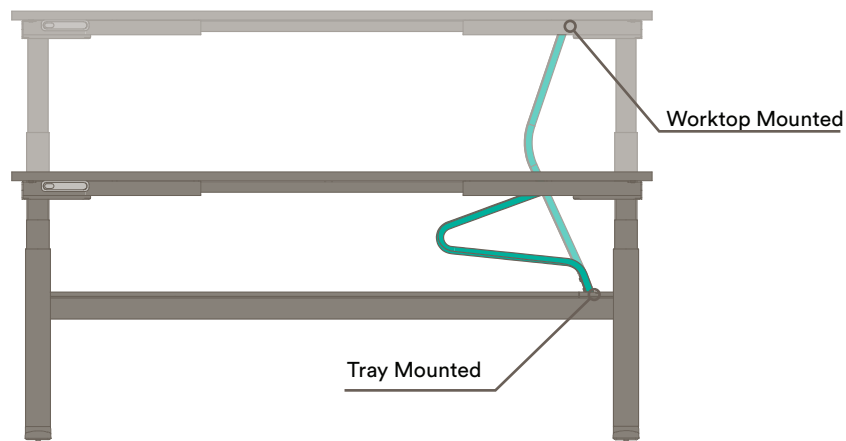


**Umbilical Capacity**  
4 × 6.5mm 10amp power leads  
6 × 6mm Cat 4 / Cat 6 data cables

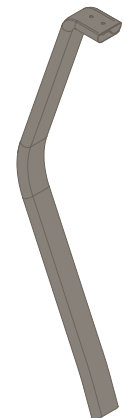


WSA-5002

Fabric Cable Umbilical



**Umbilical Capacity**  
1 × 6mm 10amp power leads in conduit  
4 × 6mm Cat 4 / Cat 6 data cables



**Notes:**  
\*Please check that position of Umbilical does not interfere with desk frame, cable management, monitor arms, power rails & worktop cutouts / scollops.

# Ovation - Accessories

## Power Pocket

### Materials Information

#### Power Pocket Bracket

Powdercoat Steel

a. Noir

#### Fabric Cable Pocket

Fabric

a. Light Grey

b. Dark Grey

#### Power options for different countries available\*:

a. 4 x Power & 2 x Data (AUS)

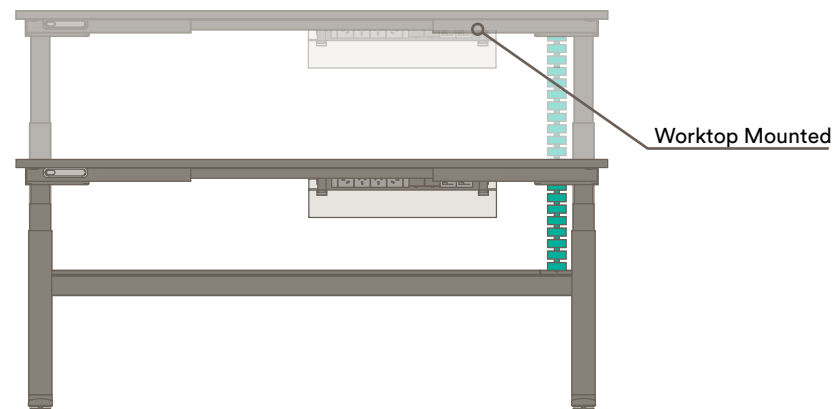
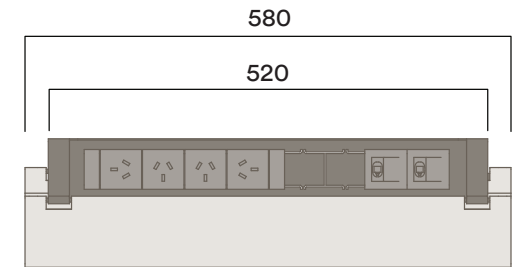
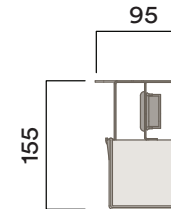
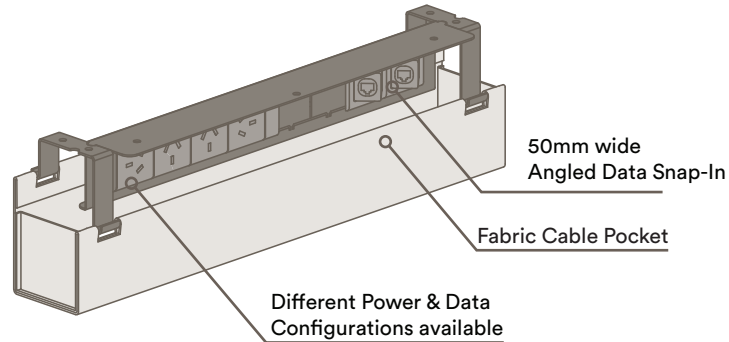
b. 6 x Power (AUS)

c. 4 x Power & 2 x Data (UK)

d. 6 x Power (UK)

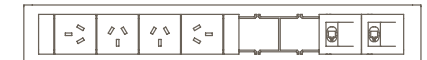
WSA-5003

Power Pocket

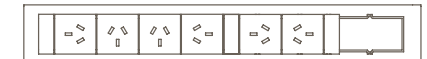


#### Power & Data Configurations:

a. Australia 4 x GPO & 2 x Data



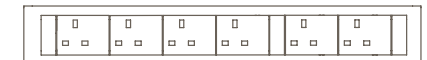
b. Australia 6 x GPO



c. UK 4 x GPO & 2 x Data



d. UK 6 x GPO



#### Notes:

\*GPOs and Data not included

\*\*Please check that position of Power Pocket does not interfere with desk frame, umbilical, monitor arms, power rails & worktop cutouts / scollops.

# Ovation - Accessories

## Power Modesty

### Materials Information

#### Power Pocket Bracket

Powdercoat Steel

a. Noir

#### Fabric Cable Modesty

Fabric

a. Light Grey

b. Dark Grey

#### Power options for different countries available\*:

a. 4 x Power & 2 x Data (AUS)

b. 6 x Power (AUS)

c. 4 x Power & 2 x Data (UK)

d. 6 x Power (UK)

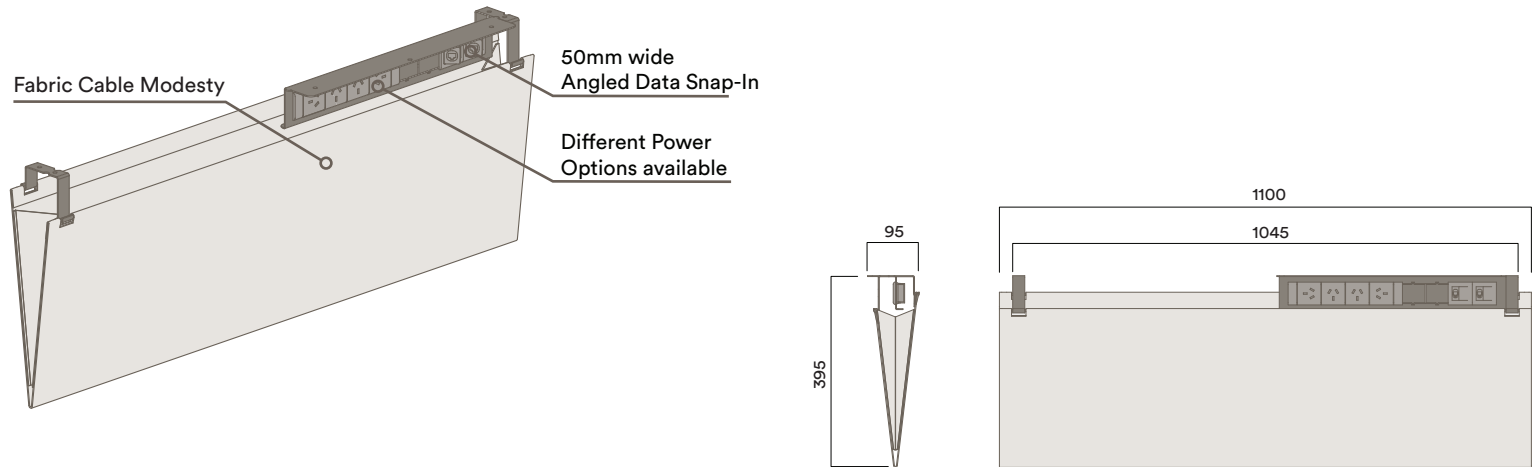
#### Notes:

\*GPOs and Data not included

\*\*Please check that position of Power Modesty does not interfere with desk frame, umbilical, monitor arms, power rails & worktop cutouts / scollops.

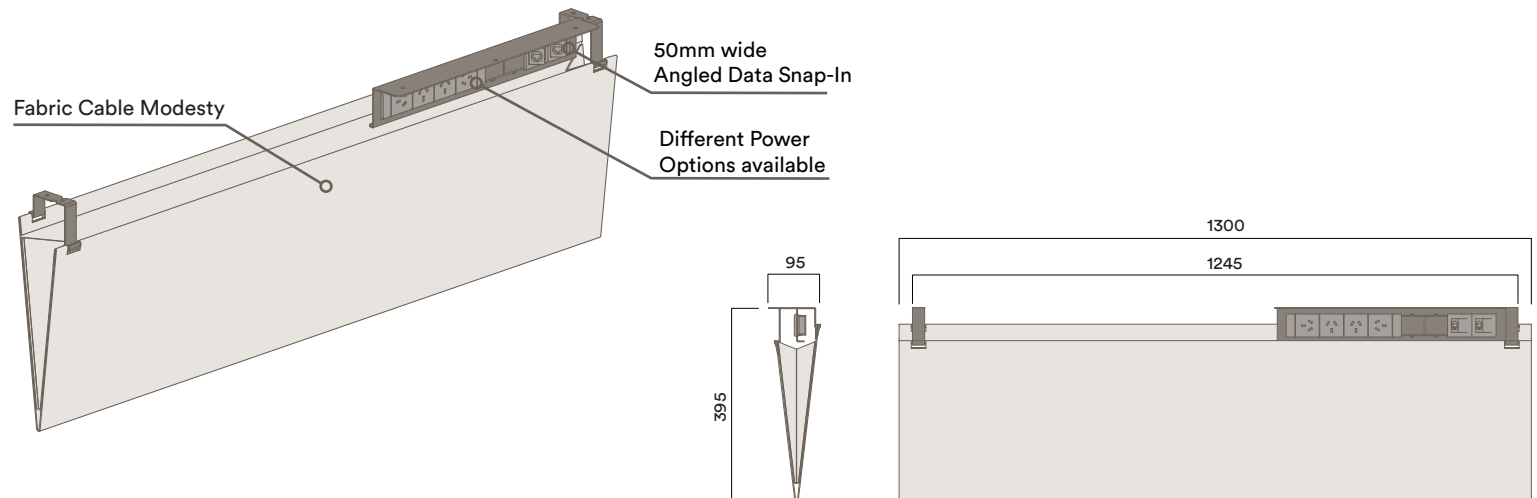
### WSA-5004

### Power Modesty - Small



### WSA-5005

### Power Modesty - Large



# Ovation - Accessories

## Power Pocket + Modesty - Extended Power/Data

### Materials Information

#### Power Pocket Bracket

Powdercoat Steel

a. Noir

#### Fabric Cable Pocket/Modesty

Fabric

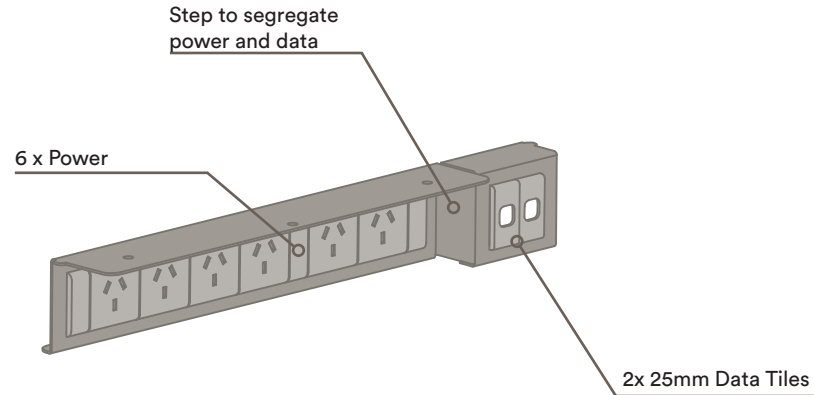
a. Light Grey

b. Dark Grey

#### Power options\*:

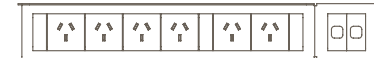
a. 6 x Power & 2 x Data (AUS)

### Mounting Plate To Suit 6 GPOS + 2 Data



### Power & Data Configurations:

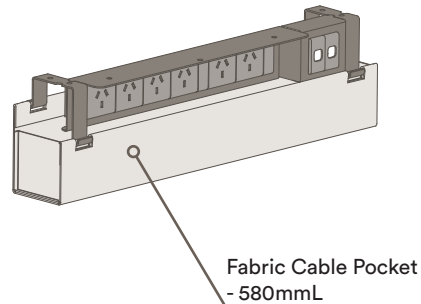
a. Australia 6 x GPO & 2 x Data



### WSA-5015

#### Power Pocket

With Extended Power/Data

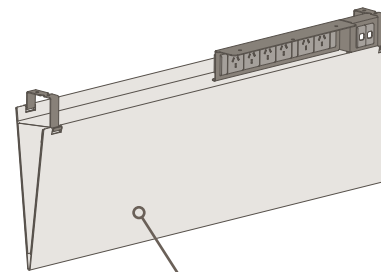


Fabric Cable Pocket  
- 580mmL

### WSA-5016

#### Power Modesty - Small

With Extended Power/Data

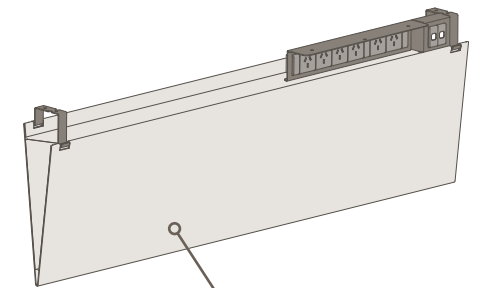


Fabric Cable Modesty  
- 1100mmL

### WSA-5017

#### Power Modesty - Large

With Extended Power/Data



Fabric Cable Modesty  
- 1300mmL

#### Notes:

\*GPOs and Data not included

\*\*Please check that position of Power Modesty does not interfere with desk frame, umbilical, monitor arms, power rails & worktop cutouts / scollops.

# Ovation Electric - Accessories

## Framed Acoustic Screens

### Materials Information

#### WSA-4221 / WSA-4231

#### Worktop Mounted Framed Acoustic Screen

### Framed Acoustic Screen

PET Panel

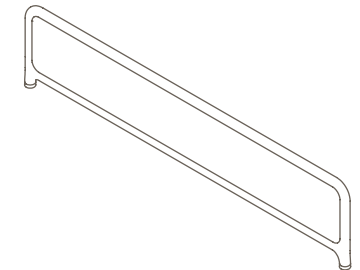
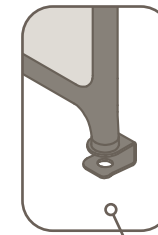
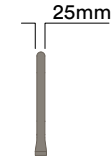
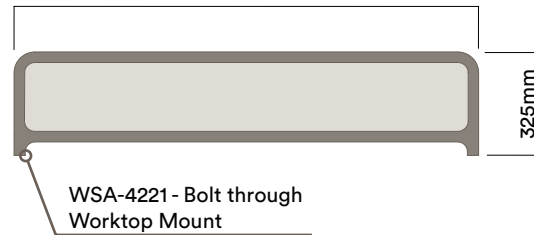
- a. Light Grey
- b. Dark Grey
- c. Upholstered - (Customer Supplied Fabric)

### Screen Frame

Powdercoat Aluminium Screen Mount and Extrusion

- a. Noir
- b. Blanc

SCREEN SIZE	WORKTOP LENGTH*	SCREEN LENGTH
Small	1200 - 1300	1035 - 1335
Medium	1301 - 1800	1335 - 1635
Large	1801 - 2100	1635 - 1835



WSA-4231 - includes Slide-on Worktop Bracket Option

### Acoustic Screen

PET Screen Panel

- a. Light Grey
- b. Dark Grey

### Screen Mounts

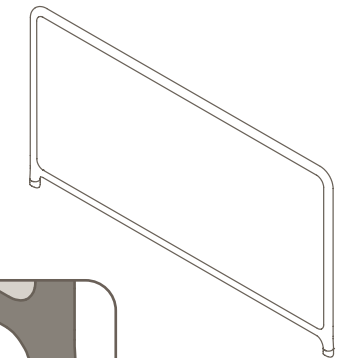
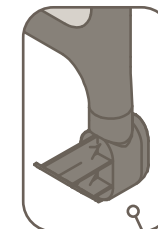
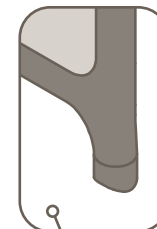
Powdercoat Aluminium Screen Mount

- a. Noir
- b. Blanc

#### WSA-4211 / WSA-4217

#### Frame Mounted Framed Acoustic Screen

SCREEN SIZE	WORKTOP LENGTH*	SCREEN LENGTH
Small	1200 - 1300	1035 - 1335
Medium	1301 - 1800	1335 - 1635
Large	1801 - 2100	1635 - 1835



WSA-4211 - mounts directly to Double Sided Crossbeam

WSA-4217 - includes Single Sided Screen Brackets

#### \*Note:

Shown sizes are for rectangular Worktops only. For screens to suit 90°, 120° & clusters - please consult your Thinkingworks representative.

#### \*\*Note:

When fitted to Ovation Fixed Height Clusters there are addition bridge brackets required to mount screens. Please refer to page 25.

# Ovation Electric - Accessories

## Upholstered Lovoc Screens

### Materials Information

WSA-6020 / WSA-6030

Worktop Mounted Upholstered Lovoc Screen

### Upholstered Screen

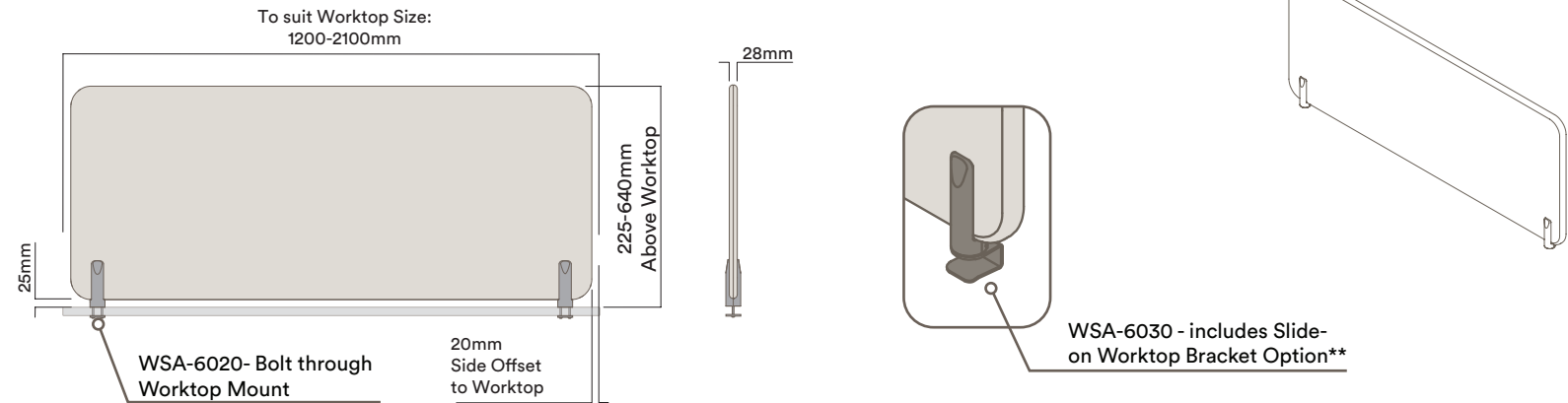
Fabric

- a. Upholstered (Customer Supplied Fabric)
- b. Thinking Works Preferred Fabric

### Screen Mounts

Powdercoat Aluminium Screen Mount and Extrusion

- a. Noir
- b. Blanc



WSA-6010/ WSA-6060

Central Mounted Upholstered Lovoc Screen

### \*Note:

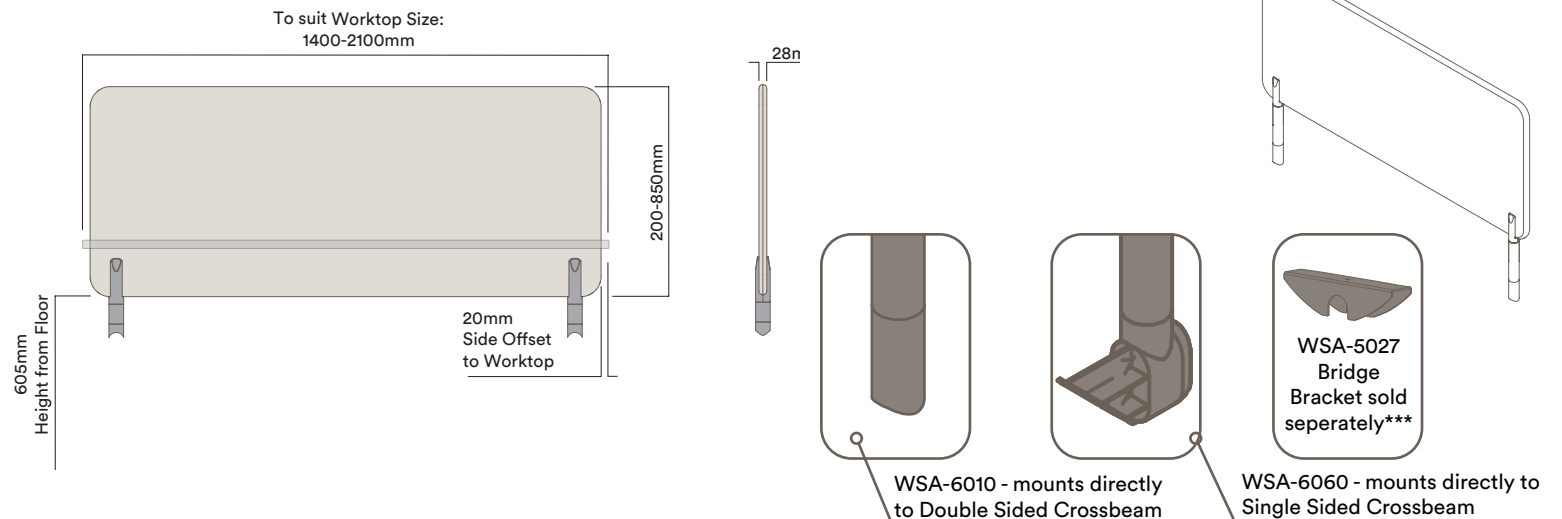
For further information regarding Lovoc upholstered screens refer to Lovoc Tech Spec.

### \*\*Note:

Shown sizes are for rectangular Worktops only. For screens to suit 90°, 120° & clusters - please consult your Thinkingworks representative.

### \*\*\*Note:

When fitted to Ovation Fixed Height Clusters there are additional bridge brackets required to mount screens. Please refer to page 25.



# Ovation Electric - Accessories

## PET Acoustic Screens

### Materials Information

#### Acoustic Screen

PET Screen Panel

- a. Light Grey
- b. Dark Grey

#### Screen Mounts

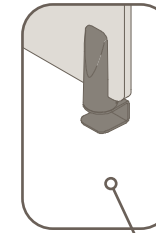
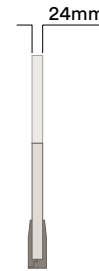
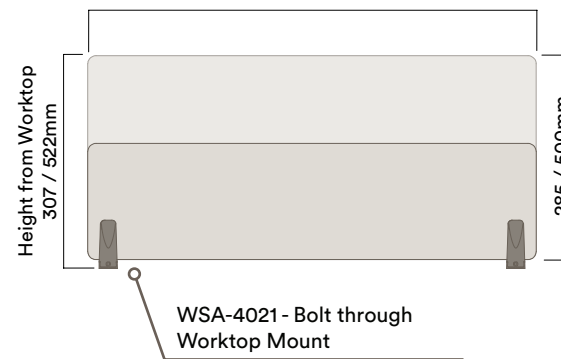
Powdercoat Aluminium Screen Mount and Extrusion

- a. Noir
- b. Blanc

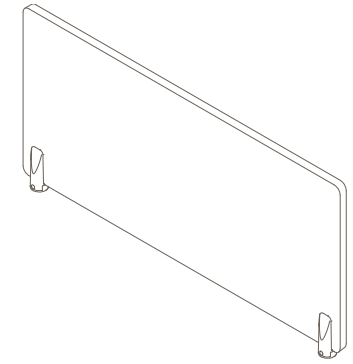
### WSA-4021 / WSA-4031

### Worktop Mounted Acoustic PET Screen

SCREEN SIZE	WORKTOP LENGTH*	SCREEN LENGTH
Small	1200 - 1300	1100 - 1300
Medium	1301 - 1800	1300 - 1700
Large	1801 - 2100	1700 - 1900



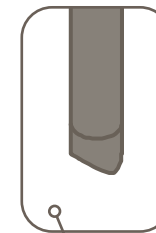
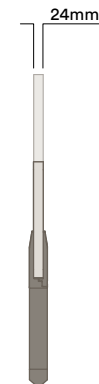
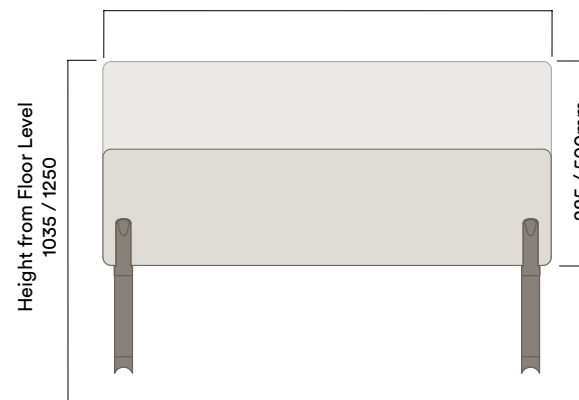
WSA-4031 - includes Slide-on Worktop Bracket Option\*\*



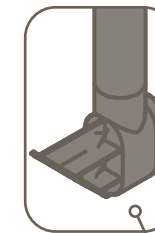
### WSA-4011 / WSA-4017

### Frame Mounted Frameless Acoustic PET Screen

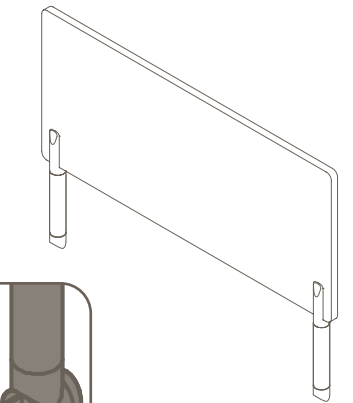
SCREEN SIZE	WORKTOP LENGTH*	SCREEN LENGTH
Small	1200 - 1300	1100 - 1300
Medium	1301 - 1800	1300 - 1700
Large	1801 - 2100	1700 - 1900



WSA-4011 - mounts directly to Double Sided Crossbeam



WSA-4017 - includes Single Sided Screen Brackets



**\*Note:**  
Shown sizes are for rectangular Worktops only.  
For screens to suit 90°, 120° & clusters - please consult your Thinkingworks representative.

**\*\*Note:**  
When fitted to Ovation Fixed Height Clusters there are additional bridge brackets required to mount screens. Please refer to page 25.

# Ovation Electric - Accessories

## PET Acoustic Screens

### Materials Information

WSA-4611 / WSA-4617

Frame Mounted Frameless Acoustic PET Screen

### Acoustic Screen

PET Screen Panel

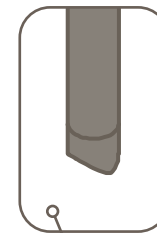
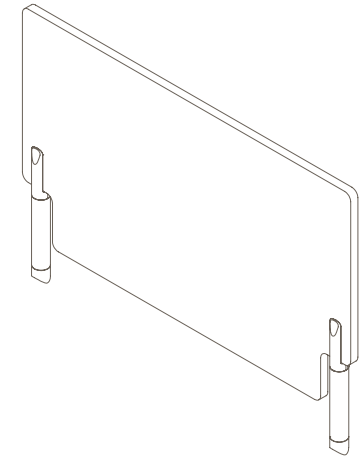
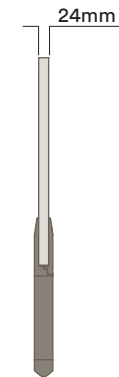
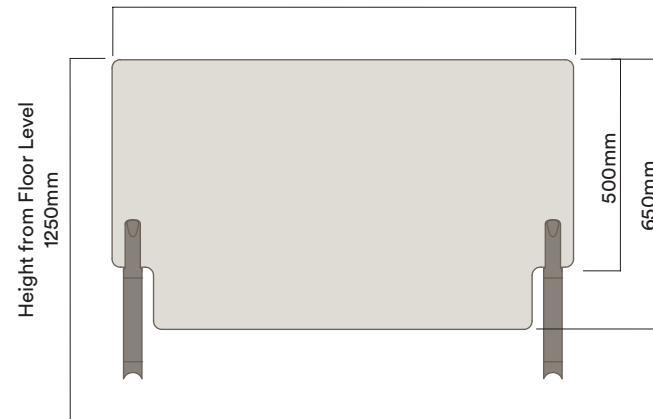
- a. Light Grey
- b. Dark Grey

### Screen Mounts

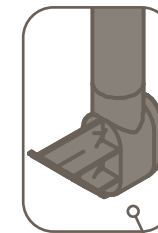
Powdercoat Aluminium Screen Mount and Extrusion

- a. Noir
- b. Blanc

SCREEN SIZE	WORKTOP LENGTH*	SCREEN LENGTH
Small	1200 - 1300	1100 - 1300
Medium	1301 - 1800	1300 - 1700
Large	1801 - 2100	1700 - 1900



WSA-4611 - mounts directly to Double Sided Crossbeam



WSA-4617 - includes Single Sided Screen Brackets

### \*Note:

Shown sizes are for rectangular Worktops only. For screens to suit 90°, 120° & clusters - please consult your Thinkingworks representative.

### \*\*Note:

When fitted to Ovation Fixed Height Clusters there are additional bridge brackets required to mount screens. Please refer to page 25.



# Ovation Electric - Accessories

## PET Acoustic Screens

### Materials Information

#### Acoustic Screen

PET Panel

- a. Light Grey
- b. Dark Grey

#### Screen Mounts

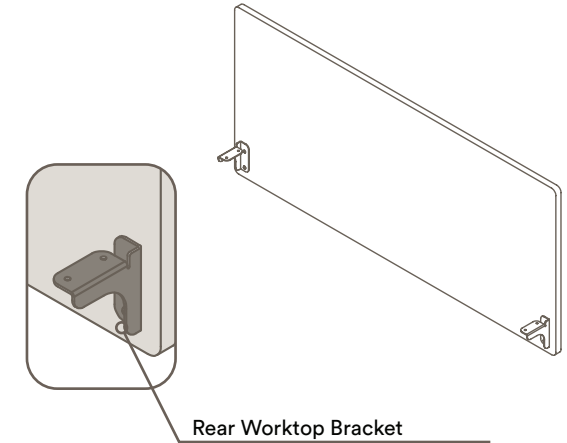
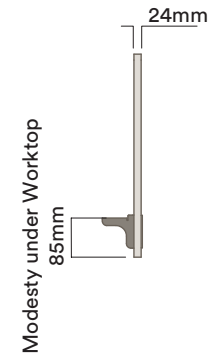
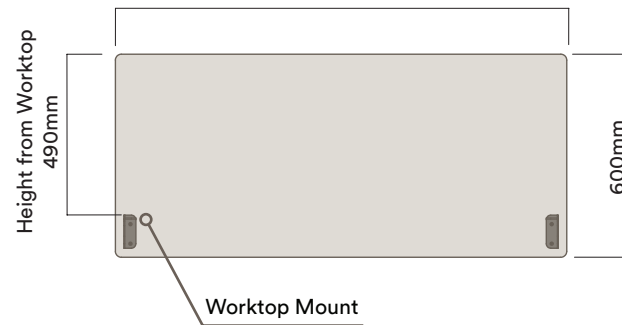
Powdercoat Steel Screen Mount

- a. Noir
- b. Blanc

### WSA-4541

### Rear Mounted Acoustic Screen & Modesty - Double sided

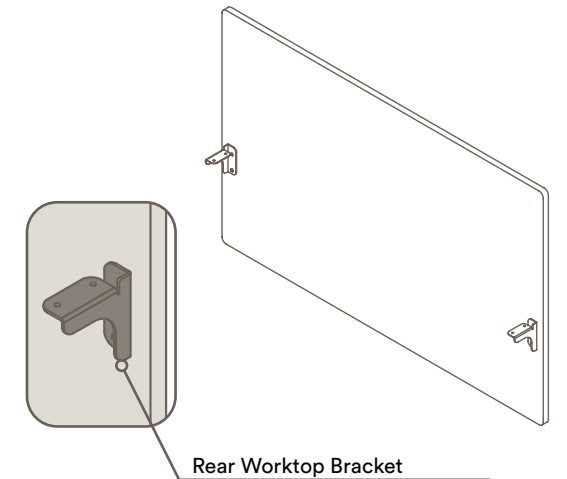
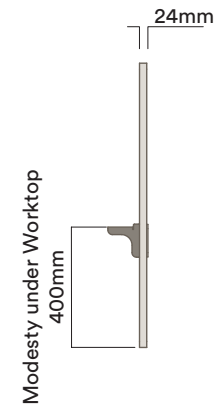
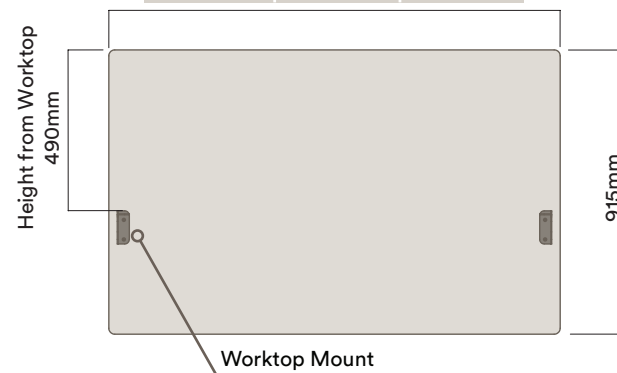
SCREEN SIZE	WORKTOP LENGTH*	SCREEN LENGTH
Small	1200 - 1300	1100 - 1300
Medium	1301 - 1800	1300 - 1700
Large	1801 - 2100	1700 - 1900



### WSA-4441

### Rear Mounted Acoustic Screen & Modesty - Single sided

SCREEN SIZE	WORKTOP LENGTH*	SCREEN LENGTH
Small	1200 - 1300	1100 - 1300
Medium	1301 - 1800	1300 - 1700
Large	1801 - 2100	1700 - 1900



# Accessories

## Screen Mounts

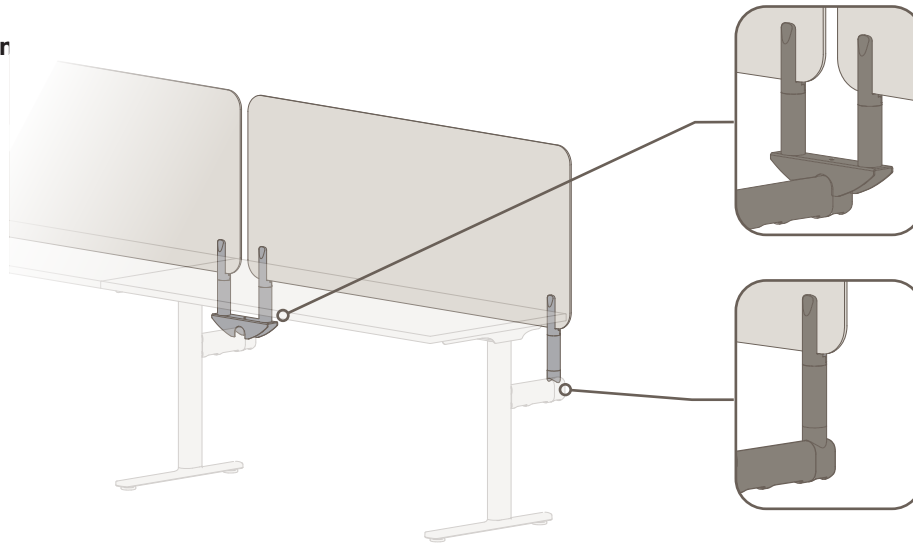
### Materials Information

All frame mounted rear screens on Ovation fixed height clusters with shared legs require 1x bridge bracket (WSA-0527) per shared table leg.

#### Compatible with:

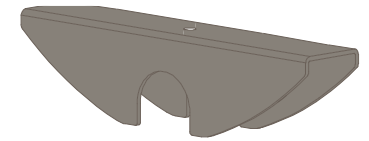
- a. Bambusa Stix - Fixed - double-sided
- b. Bambusa Stix - Fixed - single-sided

### Ovation Fixed Height Clusters

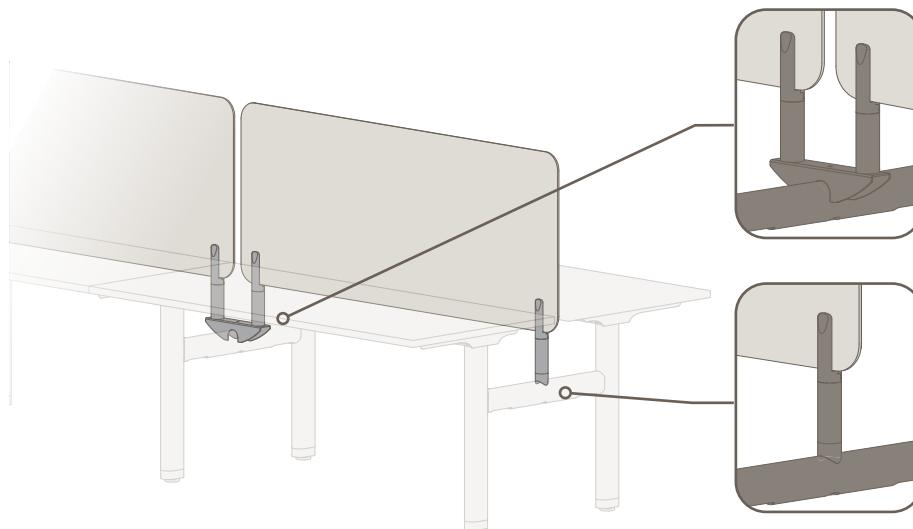


Ovation fixed height clusters require bridge brackets at each shared middle leg to mount screens.

At end leg the screens mount directly to cross beam.

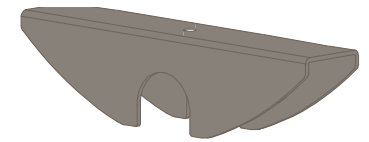


WSA-0527  
Bridge Bracket  
sold separately



Ovation fixed height clusters require bridge brackets at each shared middle leg to mount screens.

At end leg the screens mount directly to cross beam.



WSA-0527  
Bridge Bracket  
sold separately

# Ovation - Accessories

## Frame Mounted Cable Cover

### Materials Information

WSA-5006 / 5007 / 5008

Frame Mounted Cable Cover

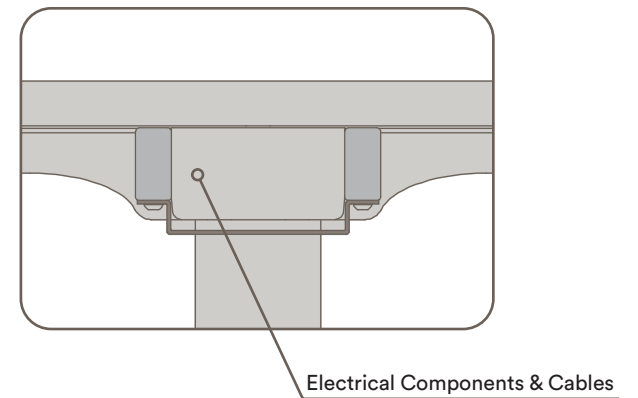
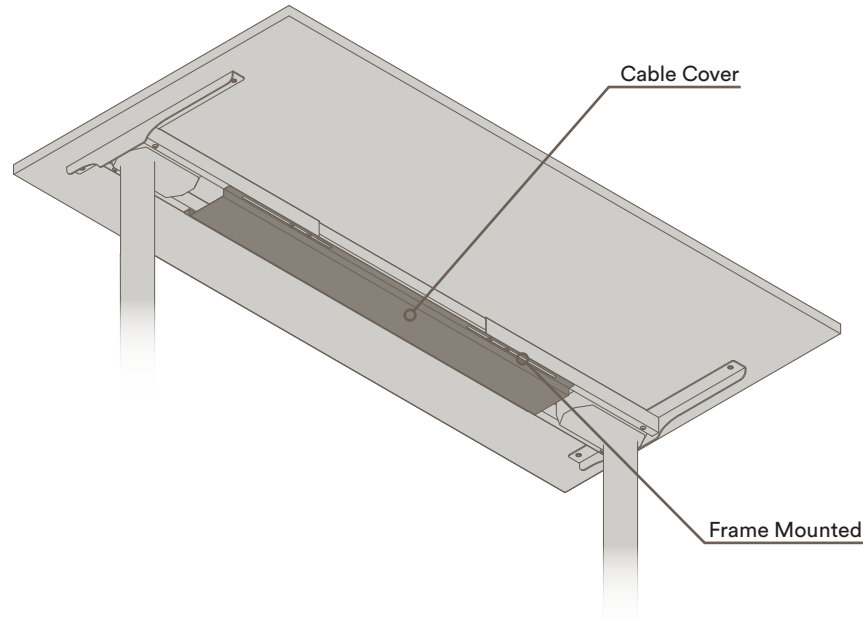
### Cable Cover

Powdercoat Steel

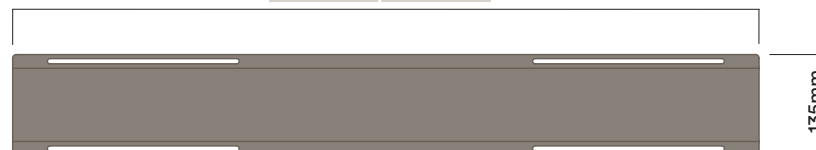
- a. Noir
- b. Blanc

### Available in different lengths:

- a. 900mm
- b. 1350mm



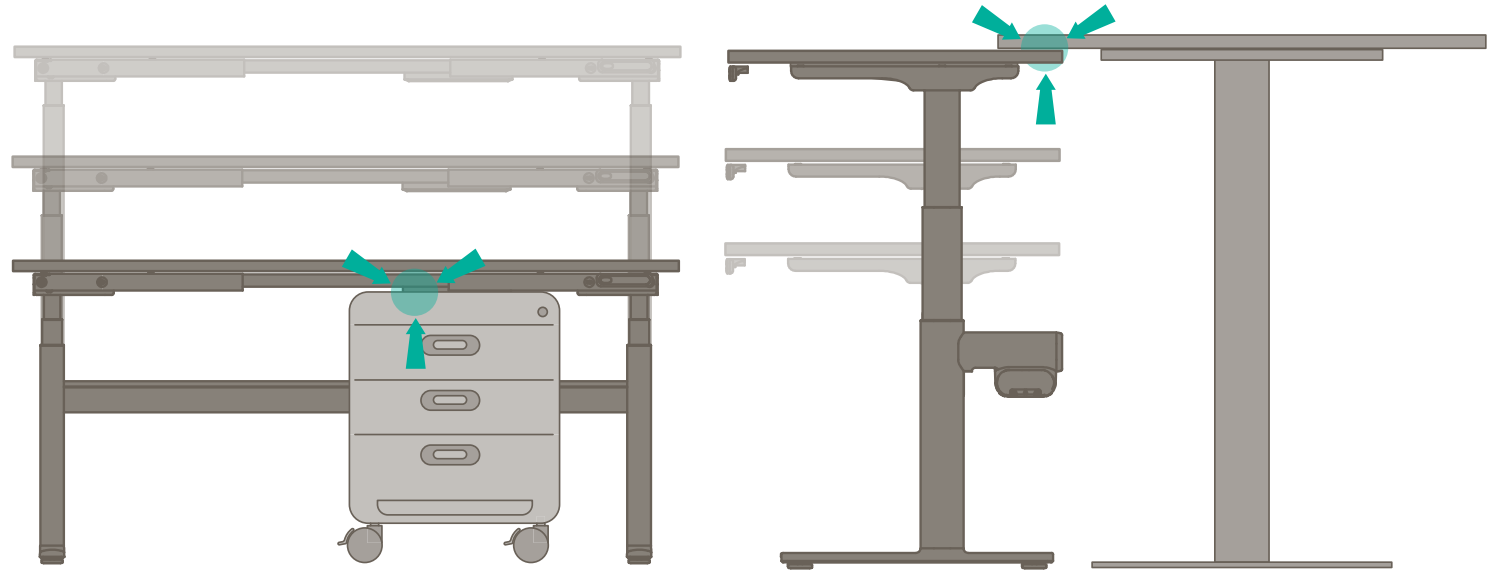
WORKTOP LENGTH*	COVER LENGTH
1200 - 1800	900
1850 - 2000	1350



# Ovation - Electric Safety Features

## Impact Stop

- Impact Stop system minimises damage to Electric Height Adjustable frames from contact with objects obstructing the path of movement
- Impact Stop initiates while frame is lowering or raising, when 1 second of resistance from an obstruction is detected.
- When resistance is detected, desk will automatically stop then move 50mm in opposite direction in order to clear obstruction.





## **Specification**

If you would like a sample set of any of our finishes, please call us on 61 (0)2 9726 7177 or e-mail at [sales@thinkingw.com](mailto:sales@thinkingw.com).

Due to our policy of continuous product development, specifications and finishes may change without prior notice.

## **Sustainability Policy**

We realise the importance of responsible business practices and have in place numerous product and company sustainability certifications. We would encourage you to download our annual Sustainability Report from the Thinking Works website to get a full overview of our sustainability program.

Thinking Works  
© Copyright 2019  
All right reserved

Thinking Works  
15-23 Helles Avenue  
Moorebank  
New South Wales 2170

[www.thinkingw.com](http://www.thinkingw.com)  
61 (0)2 9726 7177  
[sales@thinkingw.com](mailto:sales@thinkingw.com)