



Lovoc

Specification Guide

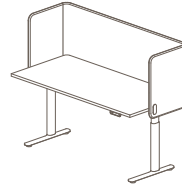
Lovoc

A modular, sustainable workstation screen designed with the entire product lifecycle in mind.

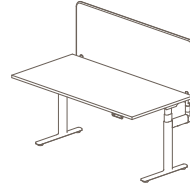
No stitching or glueing allows for easy disassembly of environmentally conscious components made from 60% recycled content and materials diverted from landfill.

Lovoc

Worktop Mounted 6 – 9



Frame Mounted 10 – 14



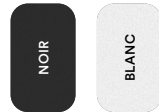
A minimalist line drawing of a signpost. The signpost consists of a vertical pole with a rectangular sign attached to it. The sign has rounded corners and a small oval-shaped detail near the bottom left corner. The word "Lovoc" is printed in a bold, sans-serif font on the sign. To the left of the sign, a portion of another rectangular structure is visible, also rendered in a line-drawing style.

Lovoc

Lovoc Finishes

1. Screen Bracket

Our screen mounts are available in Noir and Blanc powdercoat to match table frame



2. Upholstered Screen

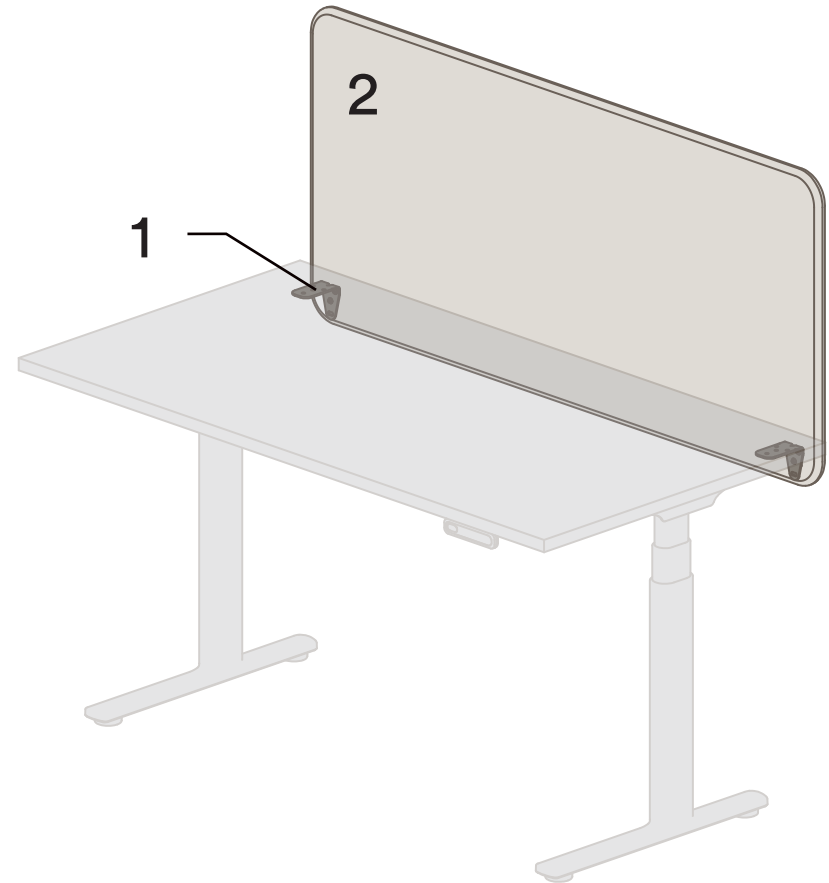
a. Upholstered - Customer Supplied Fabric
Due to the technical requirements most customer supplied fabrics require PU foam.

b. Upholstered - Thinking Works recommended fabric

The unique and patented manufacturing process of Lovoc allows outstanding sustainability. To maintain the high level of sustainability, Thinking works recommends the following fabric ranges:

i. Upholstered - Woven Image Global

Woven Image's GLOBAL fabric range can be upholstered without the need of PU foam backing whilst using 97% less adhesives than similar traditionally made screens. As a result, Lovoc screens can be made to a shorter production time. GLOBAL is available in range of 25 colours and is low VOC certified.



*Two tone upholstery is possible

**Lead times may vary depending on the availability of fabrics.

Colours are representative only, please check with your Thinking Works consultant to view samples of any specific colour.

Lovoc Finishes

2. Upholstered Screen

ii. Upholstered - Warwick Foster

Warwick's Foster fabric range is Oeko-Tex Standard 100 certified and can be upholstered without the use of PU foam backing whilst keeping the use of adhesives to a minimum. As a result, Lovoc screens upholstered with FOSTER fabric are not only sustainable but can also be made to a shorter production time. FOSTER is available in range of 12 colours and stocked in Australia.



iii. Upholstered - Warwick Tate

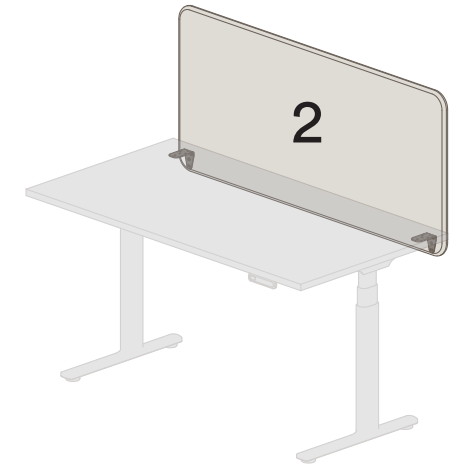
Oeko-Tex Standard 100 certified, the Warwick's TATE fabric range is another fabric range that can be upholstered without the need of PU foam backing and reduces the the use of adhesives to the bare minimum. This ensures the screen is as sustainable as possible and speeds up the manufacturing process. TATE is available in range of 16 colours and stocked in Australia.



Lovoc Screens are designed to be disassembled at the end of the product life and split up in the recycling streams of each material. This can only be achieved if the fabric is not foam backed. Please take this into consideration when specifying the fabric.

*Two tone upholstery is possible

**Lead times may vary depending on the availability of the fabric
Colours are representative only, please check with your Thinking Works consultant to view samples of any specific colour.



Lovoc

Worktop Mounted Upholstered Screen

Materials Information

Upholstered Screen

Fabric

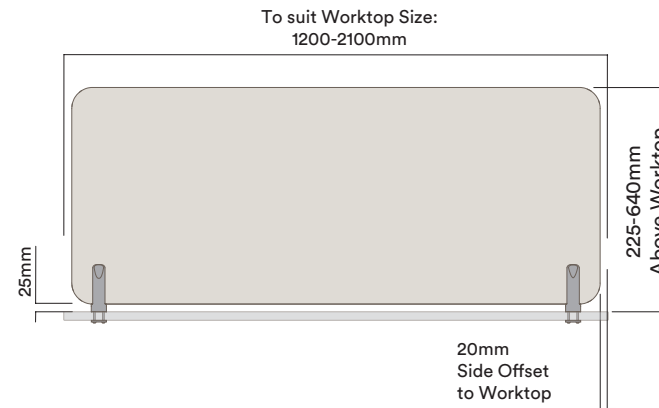
- a. Customer Supplied Fabric
- b. Thinking Works Preferred Fabric

Screen Mounts

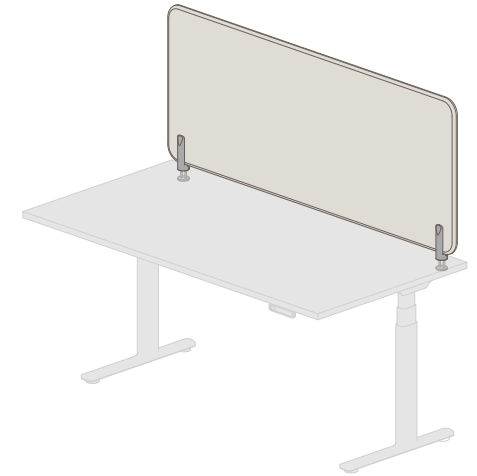
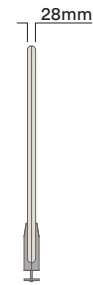
Powdercoat Aluminium Screen Mount and Extrusion

- a. Noir
- b. Blanc

WSS-I-1460 / 1480 / 1860 / 1880 / 2160 / 2180 Series



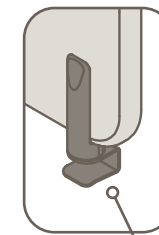
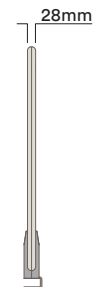
Worktop Mounted - Bolt Through Mounted - Lovoc Screen



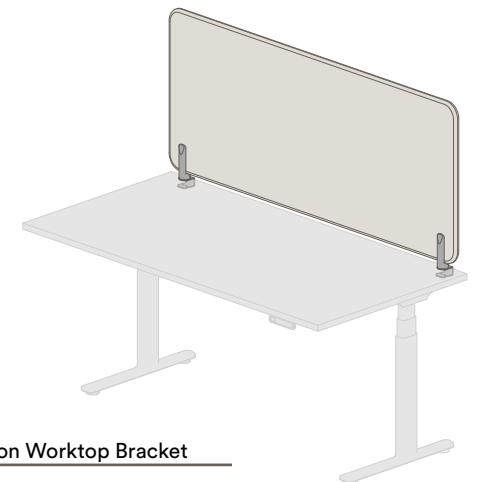
WSS-I-1460 / 1480 / 1860 / 1880 / 2160 / 2180 Series



Worktop Mounted - Slide On - Lovoc Screen



Slide-on Worktop Bracket



***Note:**

Shown sizes are for rectangular Worktops only.
For screens to suit 90°, 120° & clusters - please
consult your Thinking Works representative.

Lovoc

Worktop Rear Mounted Upholstered Screen

Materials Information

Upholstered Screen

Fabric

- a. Customer Supplied Fabric
- b. Thinking Works Preferred Fabric

Screen Mounts

Powdercoat Aluminium Screen Mount and Extrusion

- a. Noir
- b. Blanc

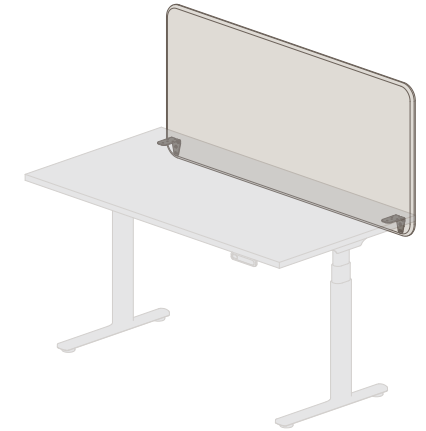
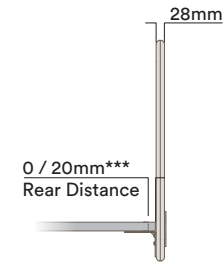
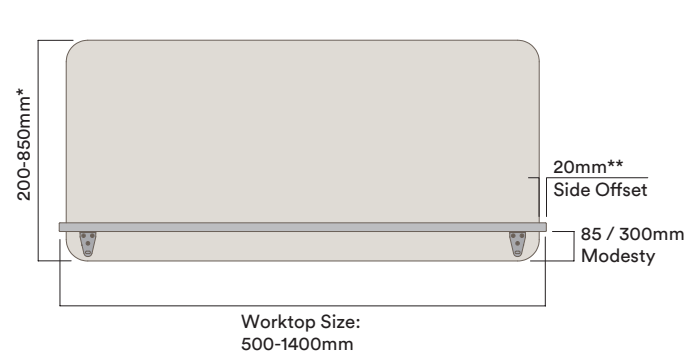
Compatibility:

Single-sided Workstations:
85 / 300mm Modesty

Double-sided Workstations:
85mm Modesty

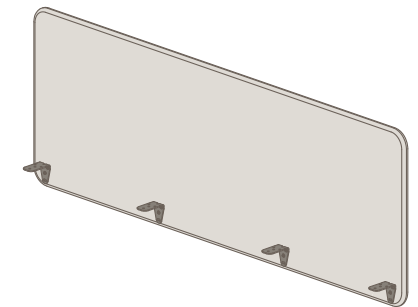
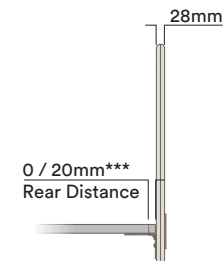
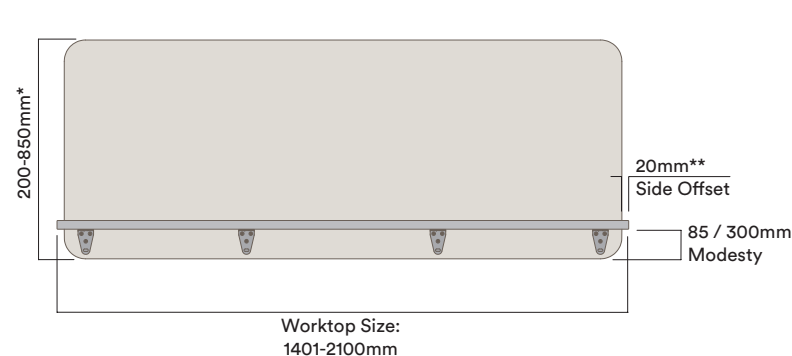
WSS-I-1460 / 1480 / 1860 / 1880 / 2160 / 2180 Series

Worktop Mounted - I-Shape - Lovoc Screen - 2 Brackets



WSS-I-1460 / 1480 / 1860 / 1880 / 2160 / 2180 Series

Worktop Mounted - I-Shape - Lovoc Screen - 4 Brackets



*Note:

200-640mm Height Range A
641-850mm Height Range B

**Note:

For custom offset please consult your Thinking Works representative.

***Note:

Screen can be flush to worktop or with 20mm gap.
Compatible with shark nose (see page 13 & 14).

****Note:

Shown sizes are for rectangular Worktops only.
For screens to suit 90°, 120° & clusters - please consult your Thinking Works representative.

Lovoc

Worktop Rear Mounted Upholstered Screen

Materials Information

Upholstered Screen

Fabric

- a. Customer Supplied Fabric
- b. Thinking Works Preferred Fabric

Screen Mounts

Powdercoat Aluminium Screen Mount and Extrusion

- a. Noir
- b. Blanc

Compatibility:

Single-sided Workstations:
85 / 300mm Modesty

Double-sided Workstations:
85mm Modesty

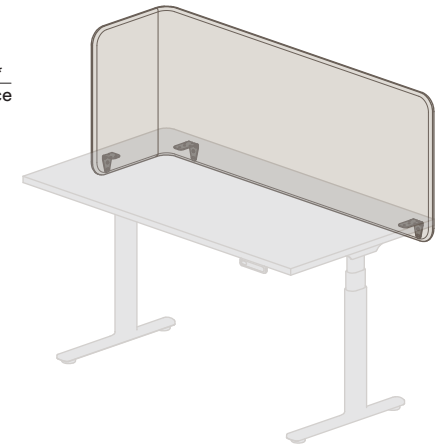
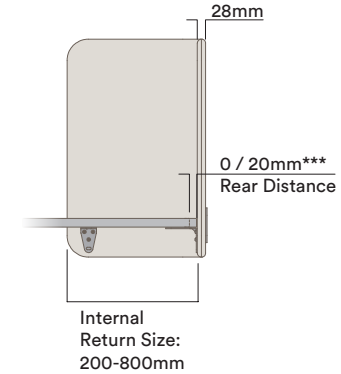
WSS-90-1460 / 1480 / 1860 / 1880 / 2160 / 2180 Series



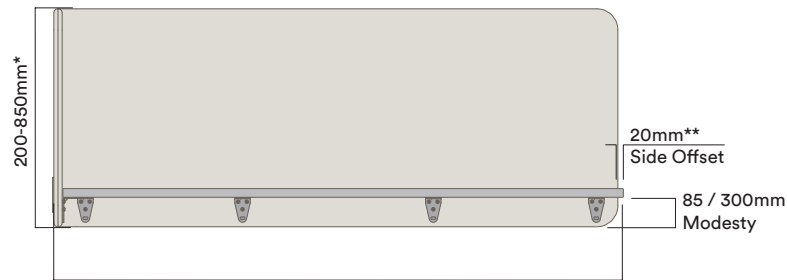
Worktop Size:
500-1400mm



Worktop Mounted - 90° L-Shape LHS - Lovoc Screen - 3 Brackets

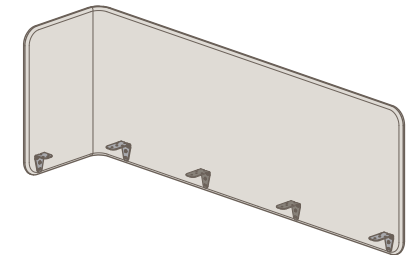
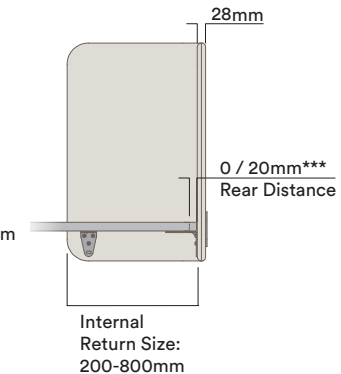


WSS-90-1460 / 1480 / 1860 / 1880 / 2160 / 2180 Series



Worktop Size:
1401-2100mm

Worktop Mounted - 90° L-Shape LHS - Lovoc Screen - 5 Brackets



*Note:

200-640mm Height Range A
641-850mm Height Range B

**Note:

For custom offset please consult your Thinking Works representative.

***Note:

Screen can be flush to worktop or with 20mm gap.
Compatible with shark nose (see page 13 & 14).

****Note:

Shown sizes are for rectangular Worktops only.
For screens to suit 90°, 120° & clusters - please consult your Thinking Works representative.

Lovoc

Worktop Rear Mounted Upholstered Screen

Materials Information

Upholstered Screen

Fabric

- a. Customer Supplied Fabric
- b. Thinking Works Preferred Fabric

Screen Mounts

Powdercoat Aluminium Screen Mount and Extrusion

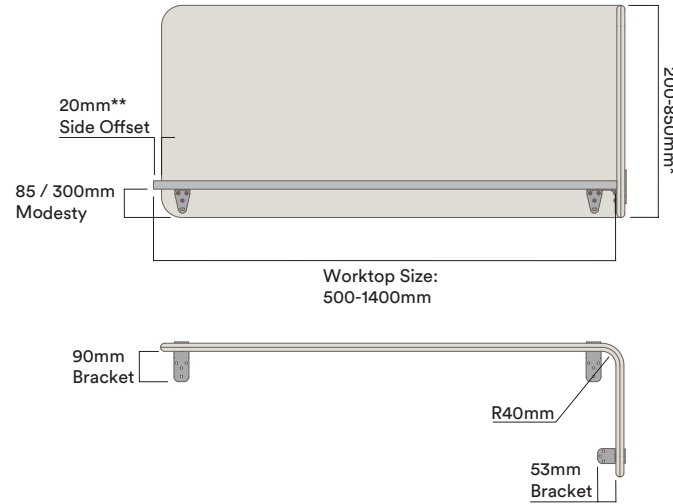
- a. Noir
- b. Blanc

Compatibility:

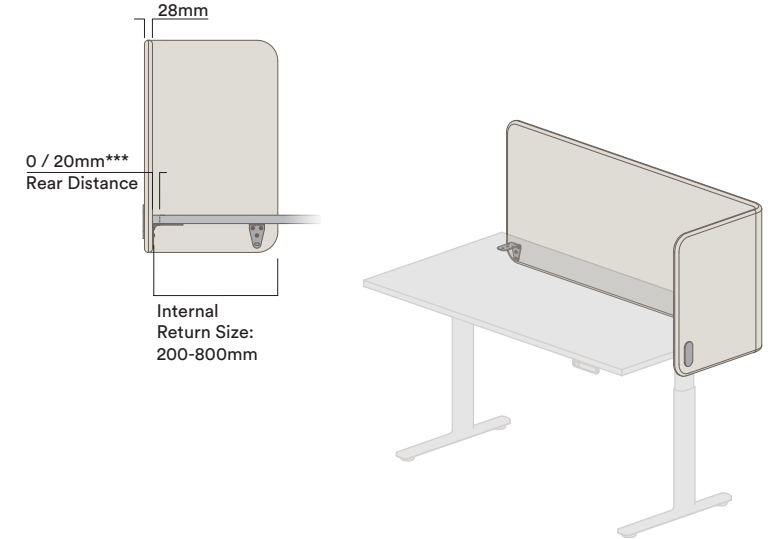
Single-sided Workstations:
85 / 300mm Modesty

Double-sided Workstations:
85mm Modesty

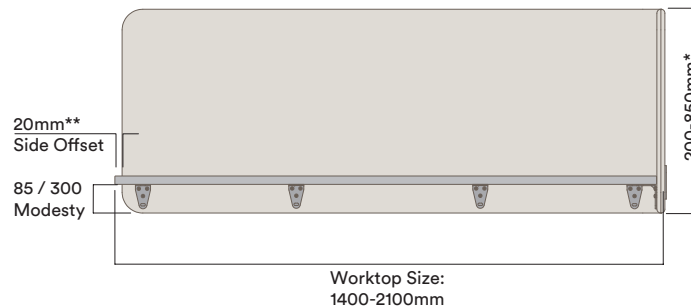
WSS-90-1460 / 1480 / 1860 / 1880 / 2160 / 2180 Series



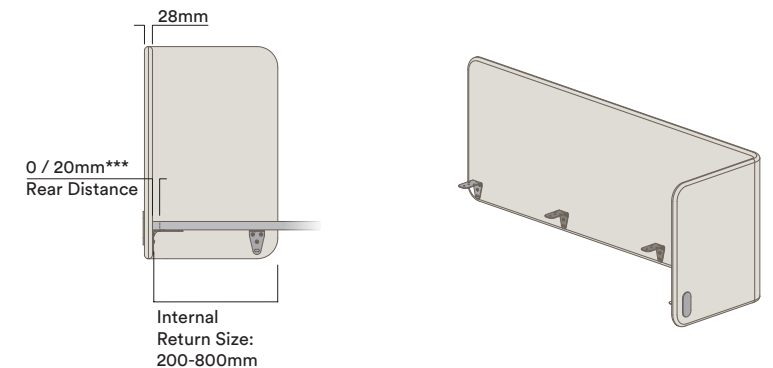
Worktop Mounted - 90° L-Shape RHS - Lovoc Screen - 3 Brackets



WSS-90-1460 / 1480 / 1860 / 1880 / 2160 / 2180 Series



Worktop Mounted - 90° L-Shape RHS - Lovoc Screen - 5 Brackets



*Note:

200-640mm Height Range A
641-850mm Height Range B

**Note:

For custom offset please consult your Thinking Works representative.

***Note:

Screen can be flush to worktop or with 20mm gap.
Compatible with shark nose (see page 13 & 14).

****Note:

Shown sizes are for rectangular Worktops only.
For screens to suit 90°, 120° & clusters - please consult your Thinking Works representative.

Lovoc

Worktop Rear Mounted Upholstered Screen

Materials Information

Upholstered Screen

Fabric

- a. Customer Supplied Fabric
- b. Thinking Works Preferred Fabric

Screen Mounts

Powdercoat Aluminium Screen Mount and Extrusion

- a. Noir
- b. Blanc

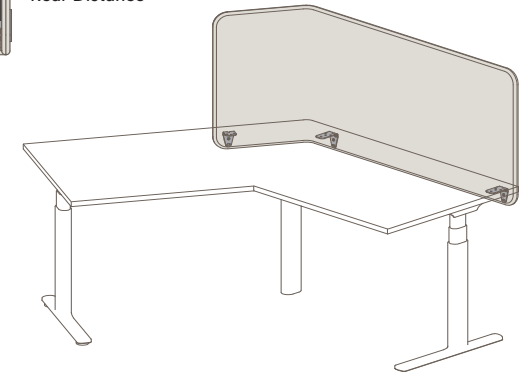
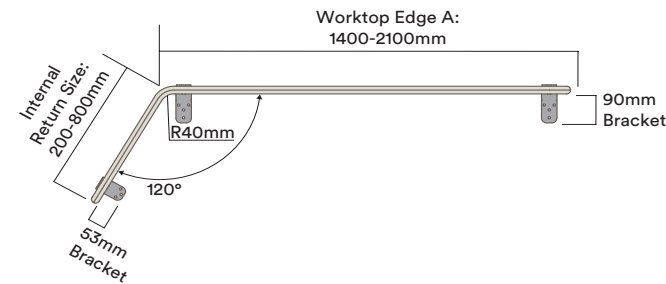
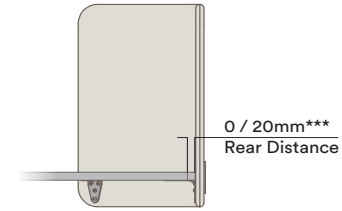
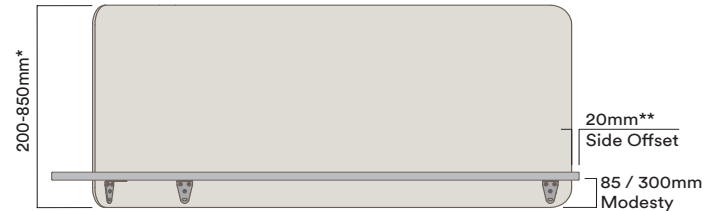
Compatibility:

Single-sided Workstations:
85 / 300mm Modesty

Double-sided Workstations:
85mm Modesty

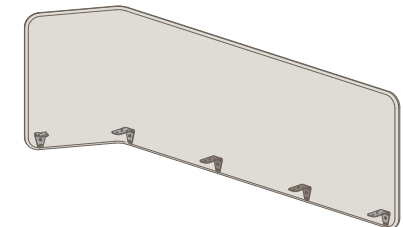
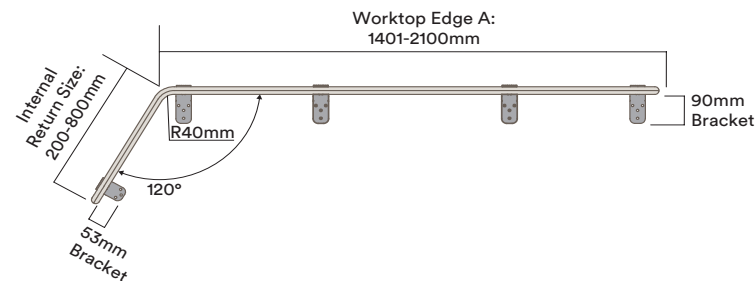
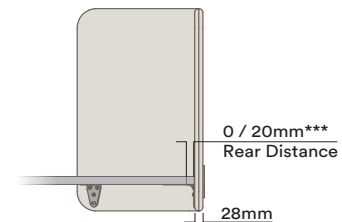
WSS-120-1460 / 1480 / 1860 / 1880 / 2160 / 2180 Series

Worktop Mounted - 120° L-Shape LHS - Lovoc Screen - 3 Brackets



WSS-120-1460 / 1480 / 1860 / 1880 / 2160 / 2180 Series

Worktop Mounted - 120° L-Shape LHS - Lovoc Screen - 5 Brackets



*Note:

200-640mm Height Range A
641-850mm Height Range B

**Note:

For custom offset please consult your Thinking Works representative.

***Note:

Screen can be flush to worktop or with 20mm gap.
Compatible with shark nose (see page 13 & 14).

****Note:

Shown sizes are for rectangular Worktops only.
For screens to suit 90°, 120° & clusters - please consult your Thinking Works representative.

Lovoc

Worktop Rear Mounted Upholstered Screen

Materials Information

Upholstered Screen

Fabric

- a. Customer Supplied Fabric
- b. Thinking Works Preferred Fabric

Screen Mounts

Powdercoat Aluminium Screen Mount and Extrusion

- a. Noir
- b. Blanc

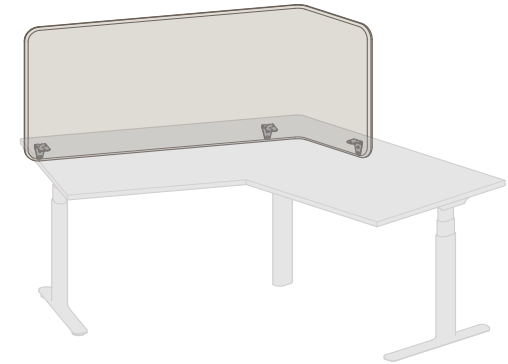
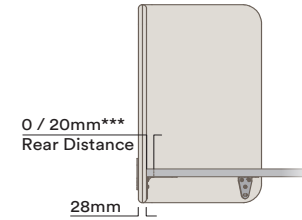
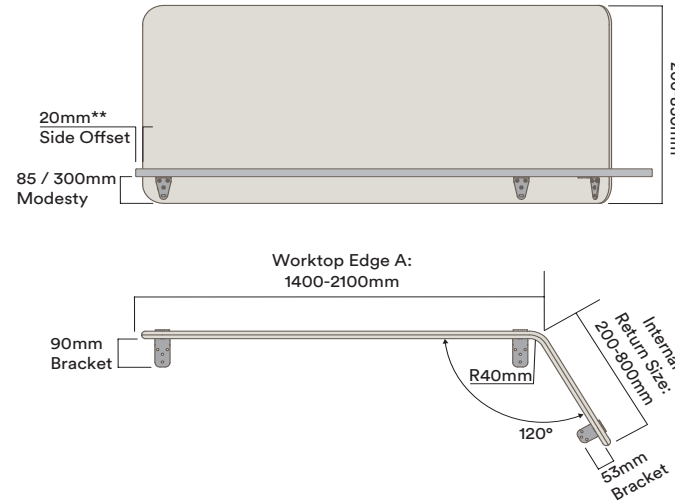
Compatibility:

Single-sided Workstations:
85 / 300mm Modesty

Double-sided Workstations:
85mm Modesty

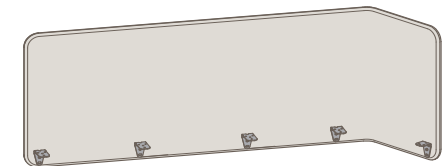
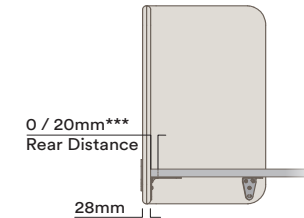
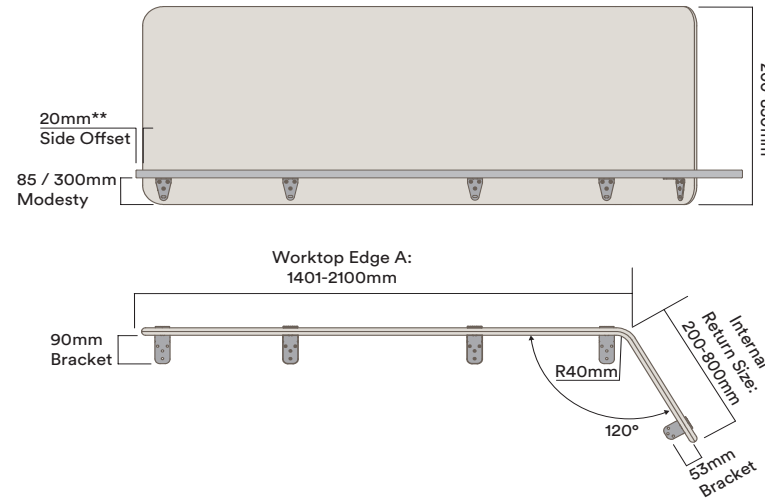
WSS-120-1460 / 1480 / 1860 / 1880 / 2160 / 2180 Series

Worktop Mounted - 120° L-Shape RHS - Lovoc Screen - 3 Brackets



WSS-120-1460 / 1480 / 1860 / 1880 / 2160 / 2180 Series

Worktop Mounted - 120° L-Shape RHS - Lovoc Screen - 5 Brackets



*Note:

200-640mm Height Range A
641-850mm Height Range B

**Note:

For custom offset please consult your Thinking Works representative.

***Note:

Screen can be flush to worktop or with 20mm gap.
Compatible with shark nose (see page 13 & 14).

****Note:

Shown sizes are for rectangular Worktops only.
For screens to suit 90°, 120° & clusters - please consult your Thinking Works representative.

Lovoc

Worktop Rear Mounted Upholstered Screen

Materials Information

Upholstered Screen

Fabric

- a. Customer Supplied Fabric
- b. Thinking Works Preferred Fabric

Screen Mounts

Powdercoat Aluminium Screen Mount and Extrusion

- a. Noir
- b. Blanc

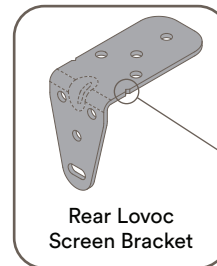
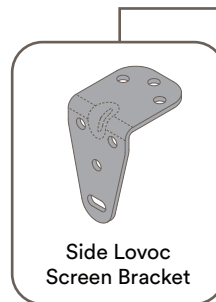
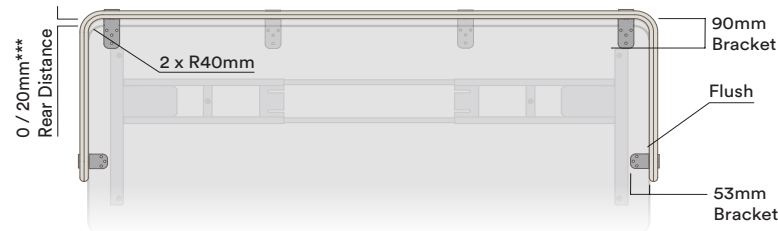
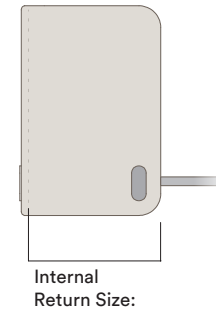
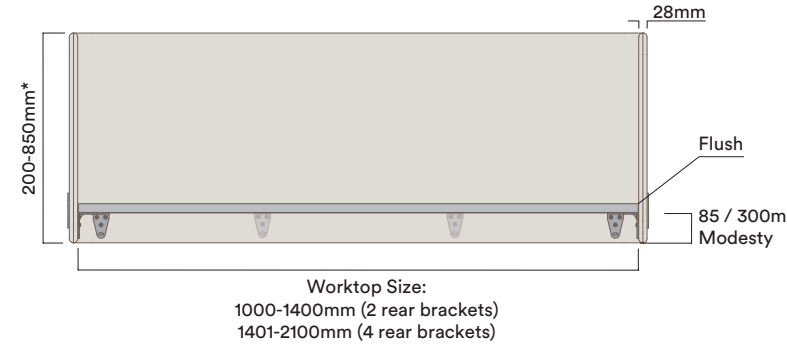
Compatibility:

Single-sided Workstations:
85 / 300mm Modesty

Double-sided Workstations:
85mm Modesty

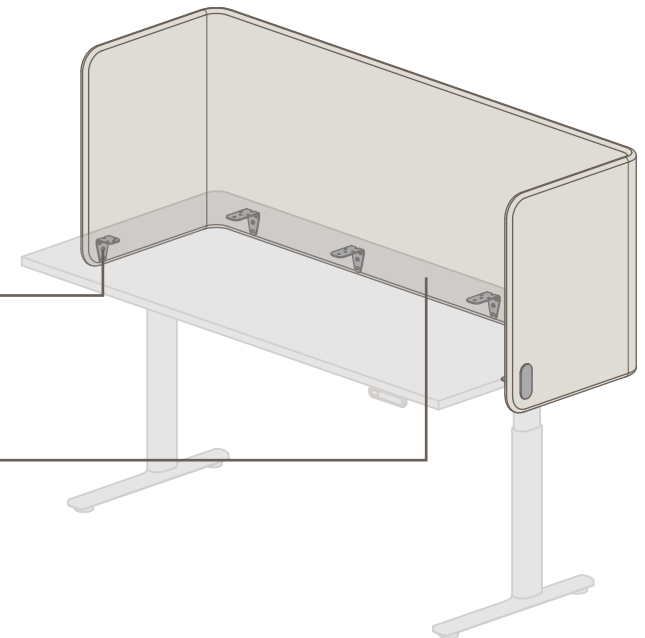
WSS-U-1460 / 1480 / 1860 / 1880 / 2160 / 2180 Series

Worktop Mounted - U-Shape - Lovoc Screen - 4 or 6 Brackets



Notch indicates worktop position for 20mm gap

Shorter side bracket prevents interference with desk frame.
Applies to all rear worktop mounted Lovoc Screens.



*Note:

200-640mm Height Range A
641-850mm Height Range B

**Note:

Screen can be flush to worktop or with 20mm gap.
Compatible with shark nose (see page 13 & 14).

***Note:

Shown sizes are for rectangular Worktops only.
For screens to suit 90°, 120° & clusters - please consult your Thinking Works representative.

Lovoc

Rear Worktop Mounting Positions

Materials Information

Upholstered Screen

Fabric

- a. Customer Supplied Fabric
- b. Thinking Works Preferred Fabric

Screen Mounts

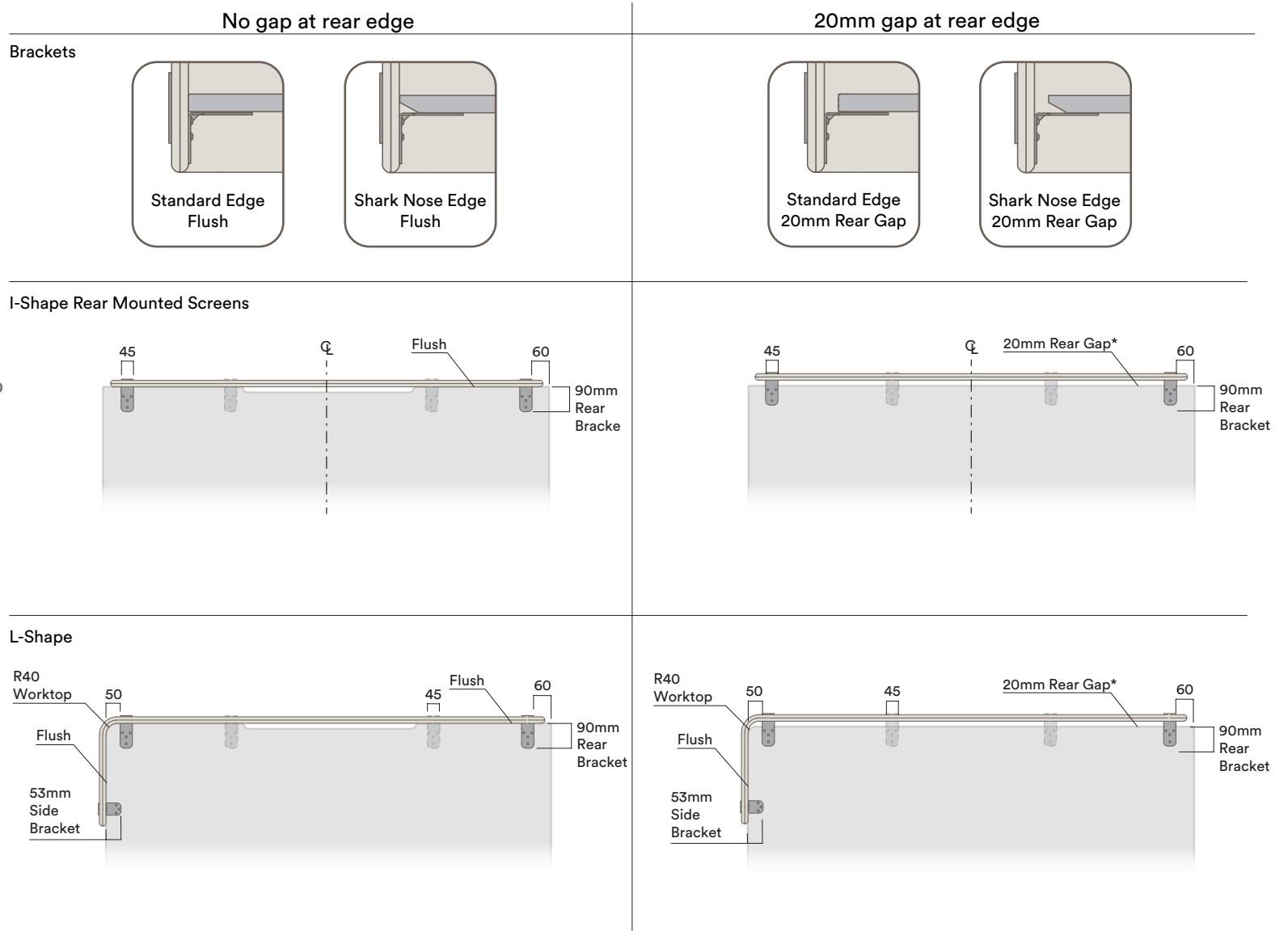
Powdercoat Aluminium Screen Mount and Extrusion

- a. Noir
- b. Blanc

Information:

Rear mounted Lovoc can be flush to worktop or with 20mm at rear. All brackets are suitable for 10mm x 60° shark nose edge. Applies to all rear worktop mounted LV screens.

Lovoc rear worktop mounted bracket positions



*Note:

On double sided workstations the position of the worktop needs to come forward by 20mm to make room for rear mounted screens with 20mm gap.

Lovoc

Rear Worktop Mounting Positions

Materials Information

Upholstered Screen

Fabric

- a. Customer Supplied Fabric
- b. Thinking Works Preferred Fabric

Screen Mounts

Powdercoat Aluminium Screen Mount and Extrusion

- a. Noir
- b. Blanc

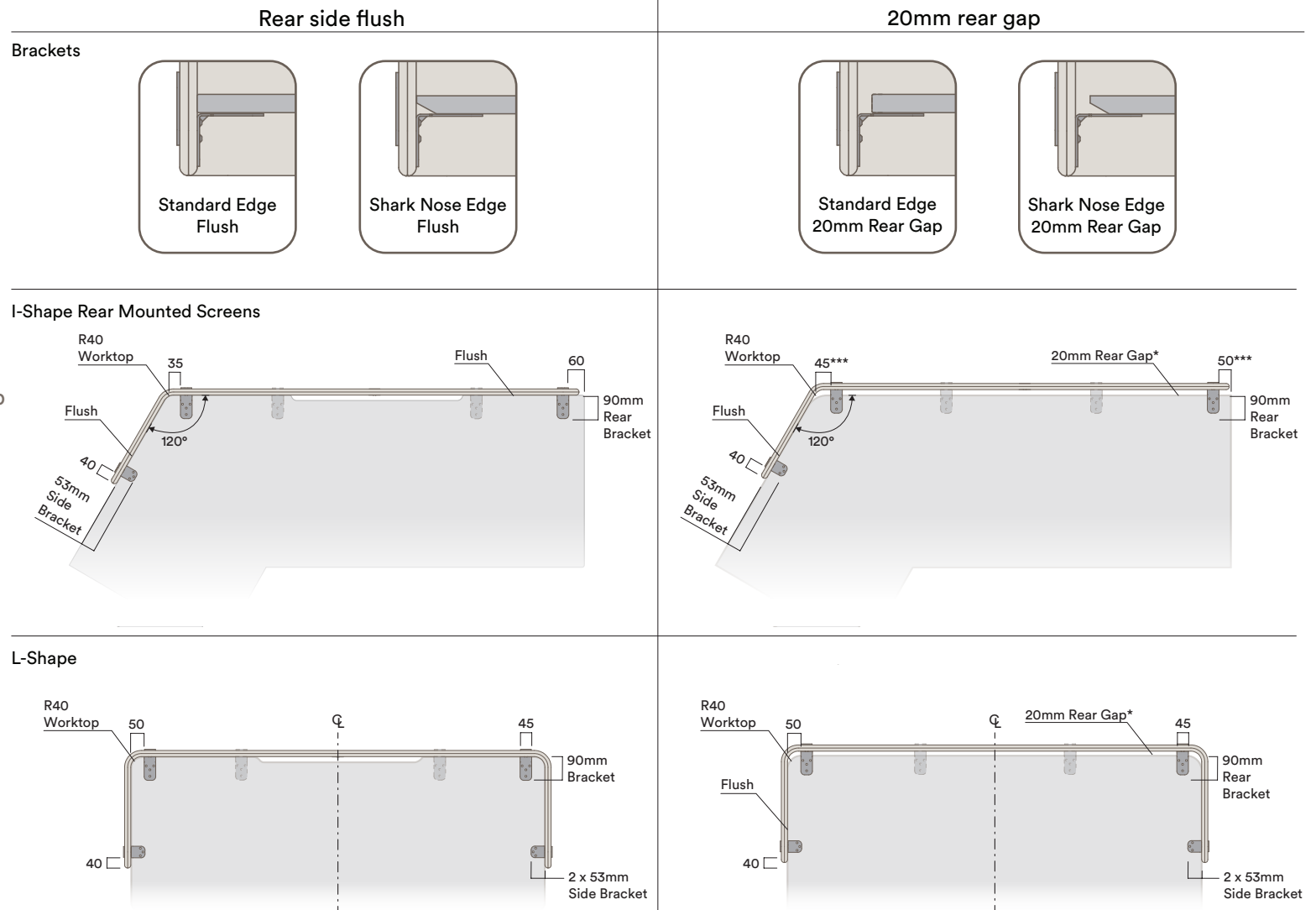
Information:

Rear mounted Lovoc can be flush to worktop or with 20mm at rear. All brackets are suitable for 10mm x 60° shark nose edge. Applies to all rear worktop mounted LV screens.

*Note:

On double sided workstations the position of the worktop needs to come forward by 20mm to make room for rear mounted screens with 20mm gap.

Lovoc rear worktop mounted bracket positions



Lovoc Split Screen Design

Design Information

Split Screen

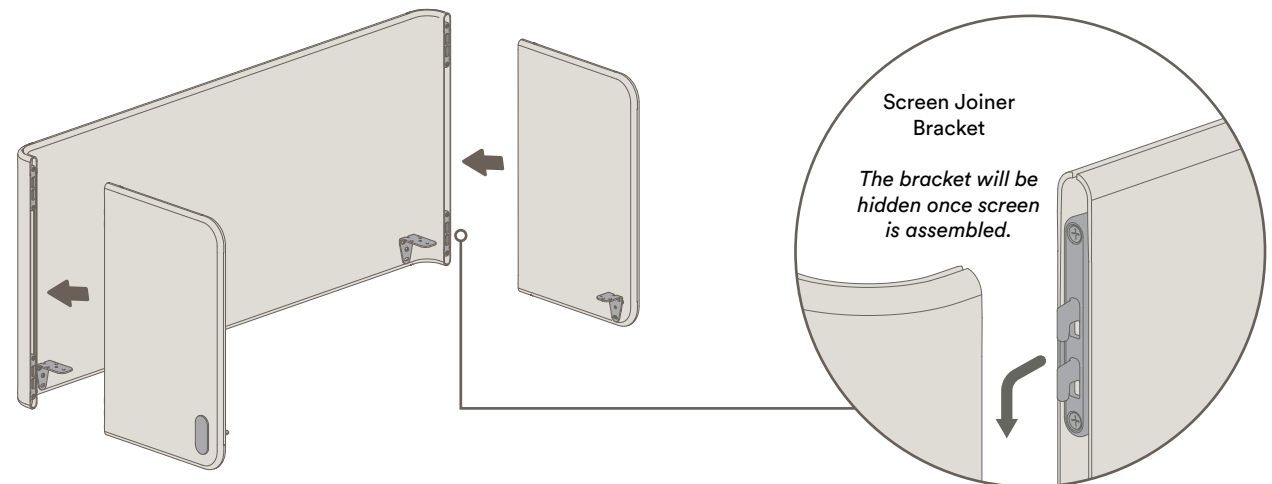
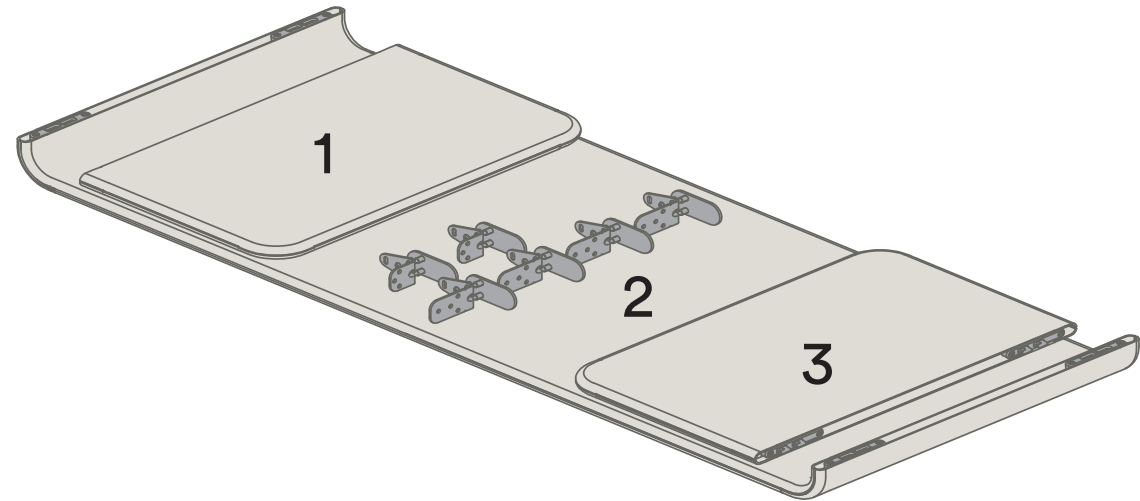
Split Screen Design

At Thinking Works, we are constantly striving to improve our products to achieve the best possible result.

We strongly believe that a sustainable product should be transported in the most sustainable way. The Lovoc Split Screen design allows all U- and L-shaped Lovoc Screens to be split into flat sections for more compact transportation. The new design reduces the carbon footprint, carries less risk of damage during transport and improves handling on site.

Moreover, the split design significantly reduces freight costs.

The screen can be assembled without tools on site and won't come apart once fixed to the worktop.



Lovoc

Frame Mounted Upholstered Screen

Materials Information

WSS-I-1460 / 1480 / 1860 / 1880 / 2160 / 2180 Series

Frame Mounted - Single-Sided - Lovoc Screen

Upholstered Screen

Fabric

- a. Customer Supplied Fabric
- b. Thinking Works Preferred Fabric

Screen Mounts

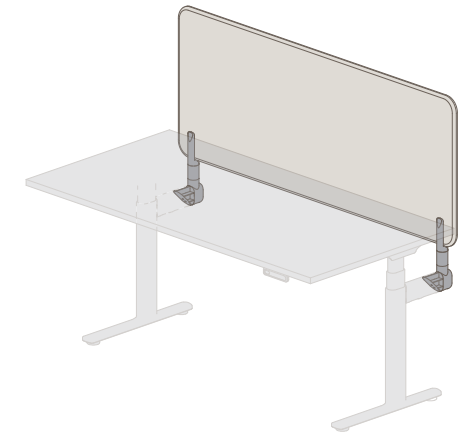
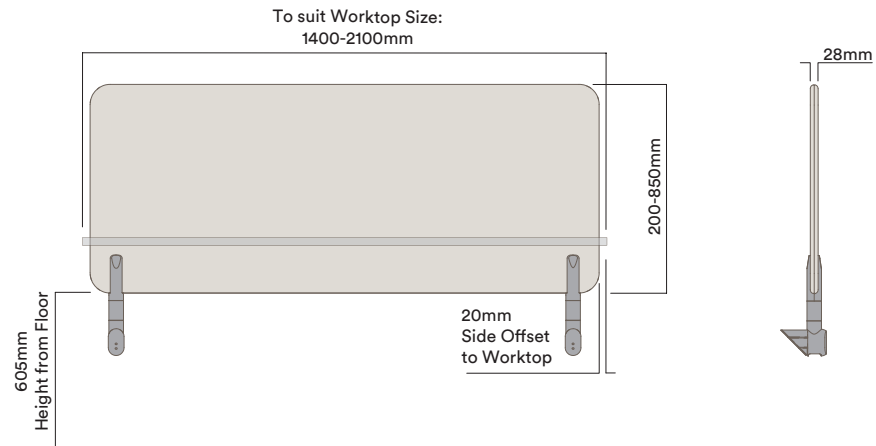
Powdercoat Aluminium Screen Mount and Extrusion

- a. Noir
- b. Blanc

Compatibility:

Single Side beam mount compatible with:

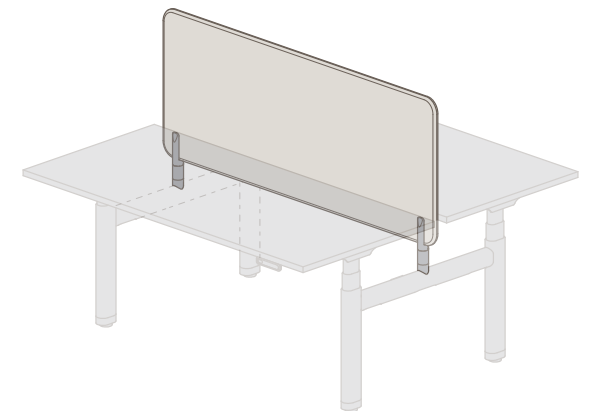
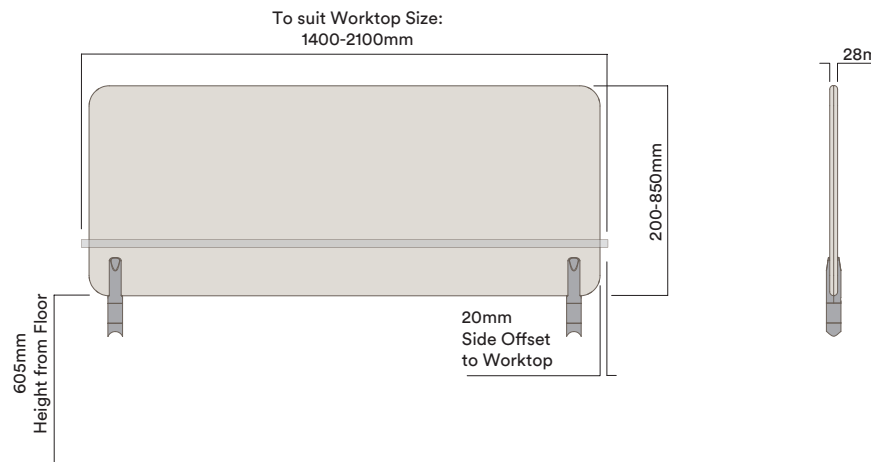
- a. Ovation - Fixed - single-sided
- b. Ovation - Electric - single-sided



Double side beam mount compatible with: WSS-I-1460 / 1480 / 1860 / 1880 / 2160 / 2180 Series

Frame Mounted - Double-Sided - Lovoc Screen

- a. Ovation - Fixed - double-sided
- b. Ovation - Electric - double-sided
- c. Bambusa Stix - Electric - double-sided



***Note:**

Shown sizes are for rectangular Worktops only. For screens to suit 90°, 120° & clusters - please consult your Thinking Works representative.

****Note:**

When fitted to Ovation Fixed Height Clusters there are additional bridge brackets required to mount screens. Please refer to page 17.

Lovoc

Frame Mounted Upholstered Screen on Bambusa Stix - Fixed Height

Materials Information

WSS-I-1460 / 1480 / 1860 / 1880 / 2160 / 2180 Series

Stix Top Horn Mounted - Double-Sided - Lovoc Screen

Upholstered Screen

Fabric

- a. Customer Supplied Fabric
- b. Thinking Works Preferred Fabric

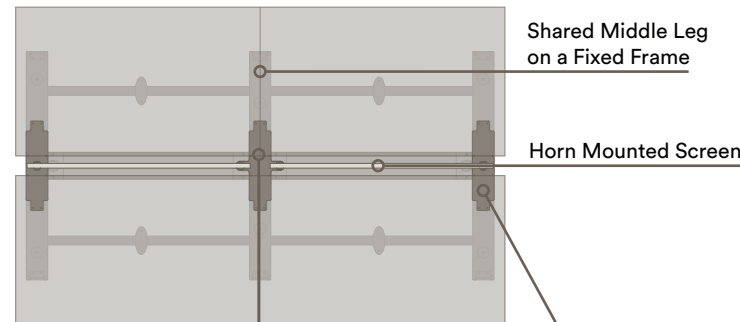
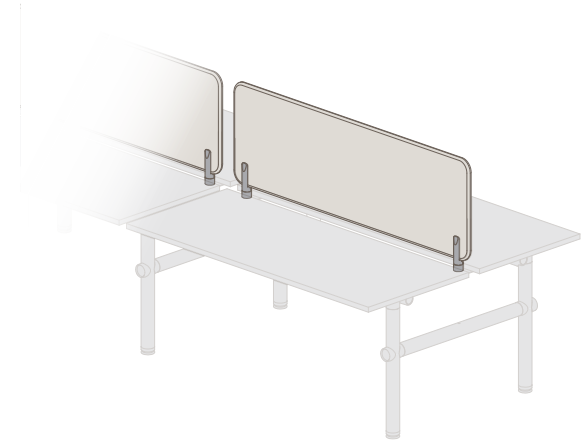
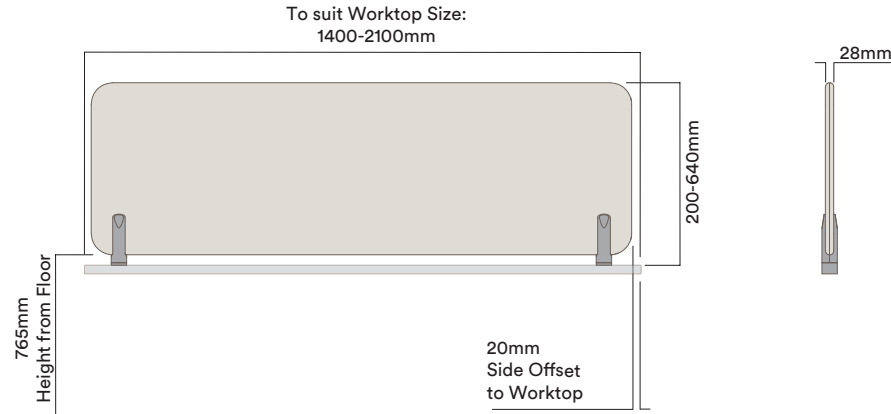
Screen Mounts

Powdercoat Aluminium Screen Mount and Extrusion

- a. Noir
- b. Blanc

Compatible with:

- a. Bambusa Stix - Fixed - double-sided



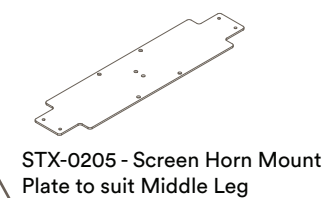
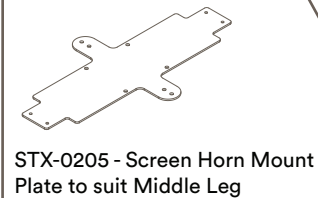
PRODUCT CODE	STX-0204 SCREEN HORN MOUNT PLATE SUITS END LEG	STX-0205 SCREEN HORN MOUNT PLATE SUITS MIDDLE LEG
WSA-5022	x 2	x 1
WSA-5023	x 2	x 2
WSA-5024	x 2	x 3
WSA-5025	x 2	x 4
WSA-5026	x 2	x 5

*Note:

WSS-I series screens require horn mounting plates when installed to fixed height Bambusa Stix .

**Note:

Shown sizes are for rectangular Worktops only. For screens to suit 90°, 120° & clusters - please consult your Thinking Works representative.



Lovoc

Frame Mounted Upholstered Screen on Ovation - Fixed Height

Materials Information

Upholstered Screen Fabric

- a. Customer Supplied Fabric
- b. Thinking Works Preferred Fabric

Screen Mounts

Powdercoat Aluminium Screen Mount and Extrusion

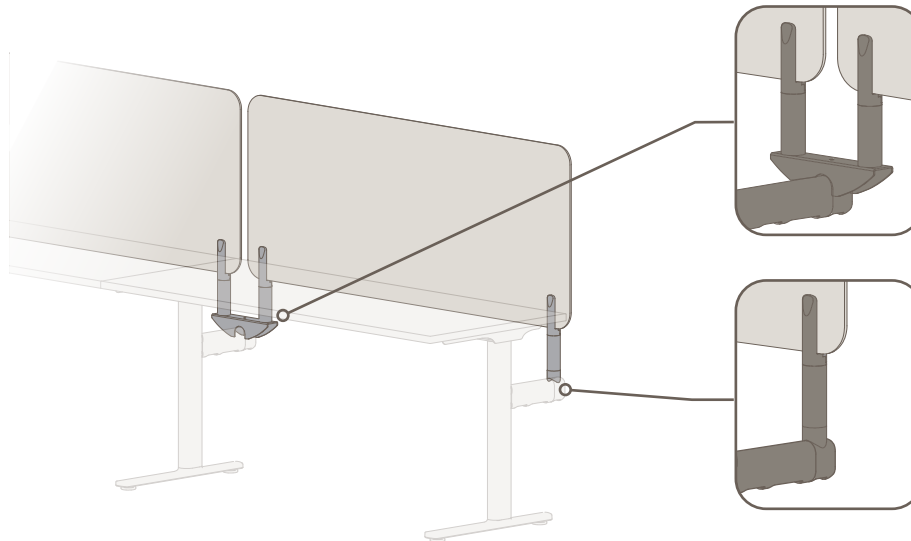
- a. Noir
- b. Blanc

Compatible with:

- a. Bambusa Stix - Fixed - double-sided

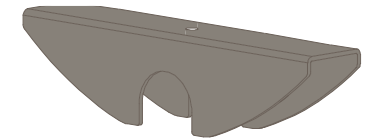
WSS-I-1460 / 1480 / 1860 / 1880 / 2160 / 2180 Series

Single Sided Clusters



Ovation fixed height clusters require bridge brackets at each shared middle leg to mount screens.

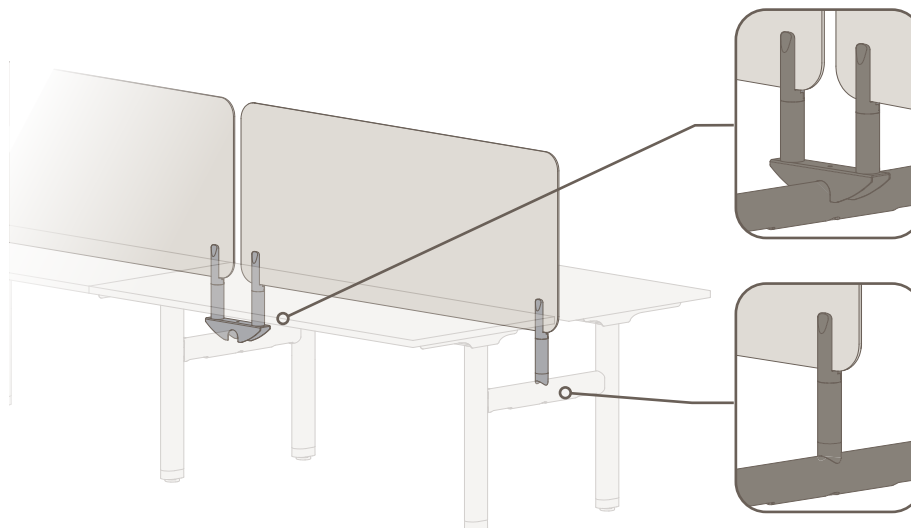
At end leg the screens mount directly to cross beam.



WSA-5027
Bridge Bracket
sold separately

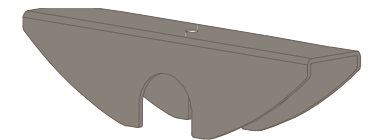
WSS-I-1460 / 1480 / 1860 / 1880 / 2160 / 2180 Series

Double Sided Clusters



Ovation fixed height clusters require bridge brackets at each shared middle leg to mount screens.

At end leg the screens mount directly to cross beam.



WSA-5027
Bridge Bracket
sold separately

***Note:**
WSS-I series screens may require a bridge bracket when installed to fixed height Ovation.

****Note:**
Shown sizes are for rectangular Worktops only. For screens to suit 90°, 120° & clusters - please consult your Thinking Works representative.

Lovoc Custom Services

Information

Combine

Combine multiple standard screens with 90° or 120° - or without returns to create tailored privacy screen solutions.

Change

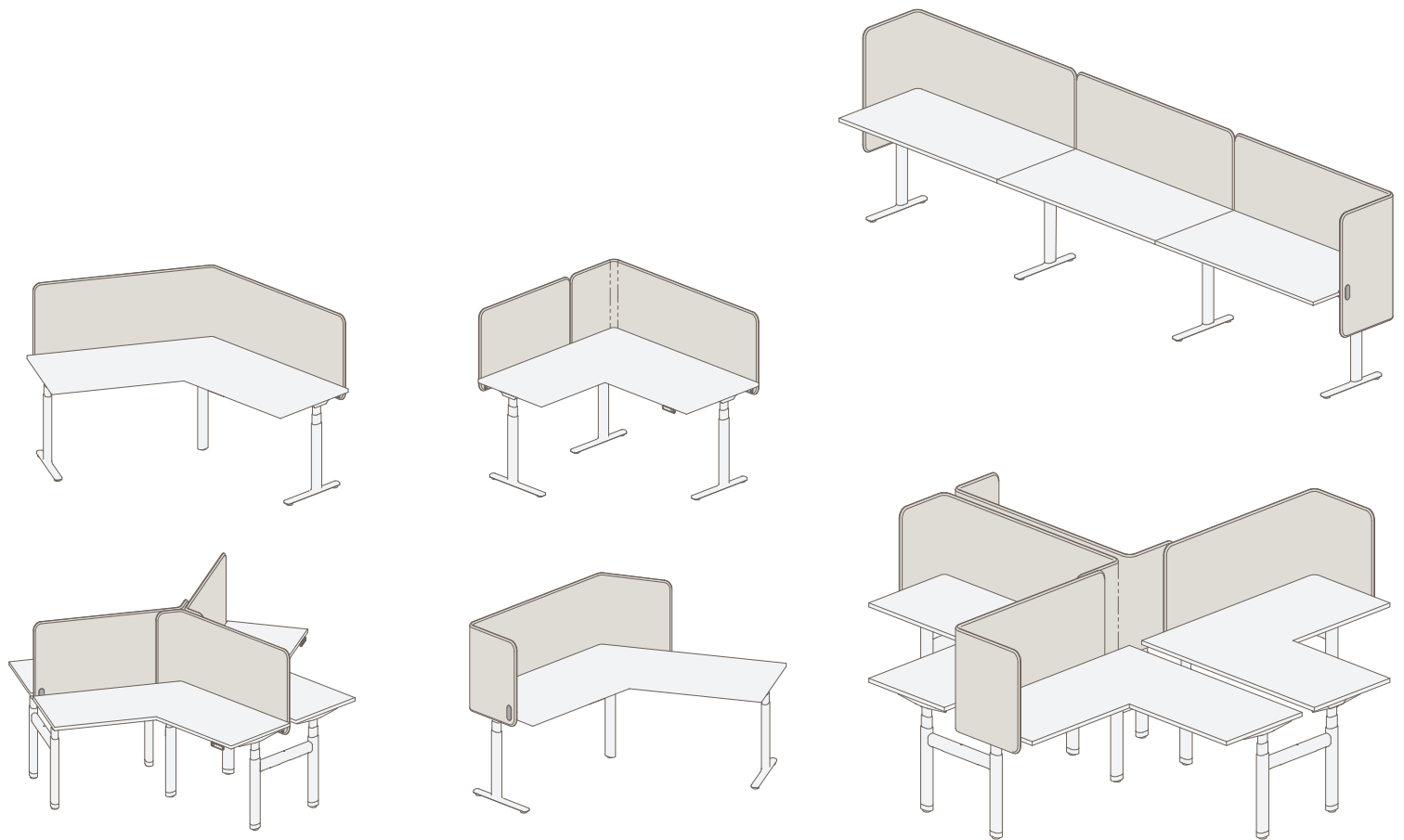
Lovoc is a modular system that allows custom heights and length.

Choose

Most upholstery fabrics are compatible with Lovoc in some instances the fabric requires foam backing.

To create custom shapes, sizes or colours - please consult your Thinking Works representative for more information.

Combinations of standard screens and custom solutions





Specification

If you would like a sample set of any of our finishes, please call us on 61 (0)2 9726 7177 or e-mail at sales@thinkingw.com.

Due to our policy of continuous product development, specifications and finishes may change without prior notice.

Sustainability Policy

We realise the importance of responsible business practices and have in place numerous product and company sustainability certifications. We would encourage you to download our annual Sustainability Report from the Thinking Works website to get a full overview of our sustainability program.

Thinking Works
© Copyright 2021
All right reserved

Thinking Works
25 Helles Avenue
Moorebank
New South Wales 2170

www.thinkingw.com
61 (0)2 9726 7177
sales@thinkingw.com