



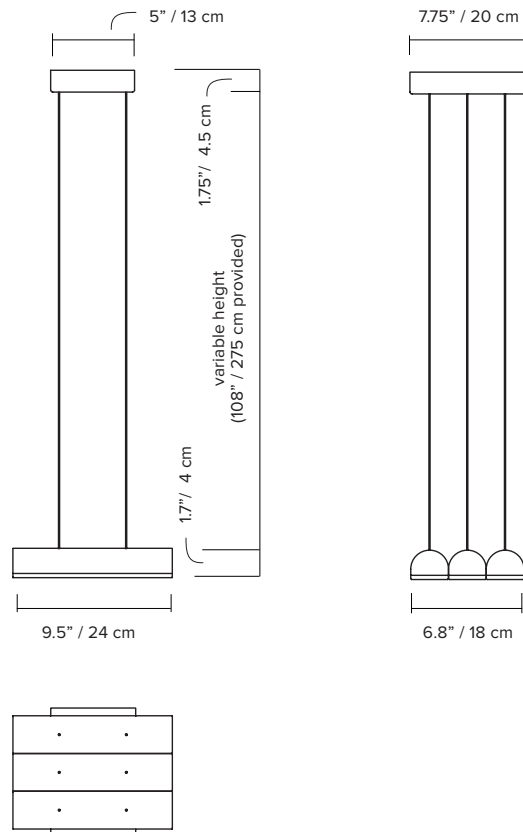


HUTCHISON 03

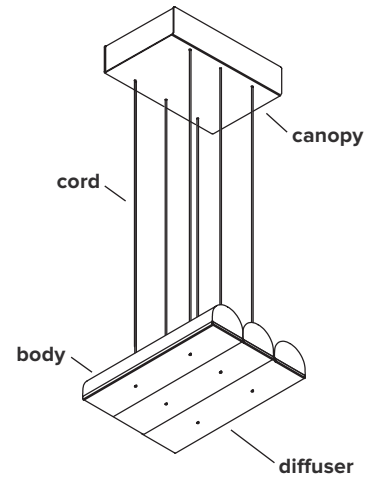
Hutchison is the thoughtful study of soft curves and hard lines—a rivalry of vertical and horizontal forces and a play of scale and repetition. Alone, it self-defines as a frank, decorative pendant light. In multiples, it evokes the iconic patterns of Middle Eastern archways and Roman terracotta roofs.

type:	suspension
construction:	powder coated or polished aluminum body PMMA frosted diffuser polyester cord
specifications:	source: LED array, integrated power consumption: 26W lumen output: 2700K- 2143lm 3000K- 2305lm colour rendering index: ≥90 CRI colour consistency: 3 SDCM expected lifetime: ≥50 000h
control:	120/277V on/off, 0-10V or phase dimming (120V only) 220-240V on/off or phase dimming refer to our recommended list of dimmer models
cord length:	108" / 275 cm
weight:	5.1 lb / 2.4kg
certifications:	    IP20
warranty:	2 years



ORDER GUIDE: SKU

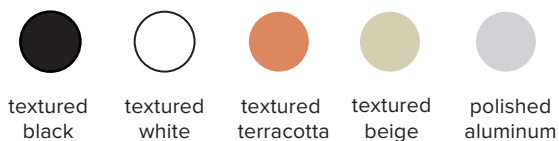
COLLECTION	MODEL	BODY	CORD	CANOPY
HUT	hutchison	03	BK black WH white TC terracota BG beige AL aluminium	BK black WH white TC terracota BG beige
HUT	03	BK	BK	BK



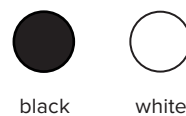
COLOUR TEMPERATURE (CCT)	DIMMING
WL warm light (2700K)	ZT 0-10V dimming
NL neutral light (3000K)	PH phase dimming
D27 dim to warm (2700K - 2200K)	
D30 dim to warm (3000K - 2200K)	
CCT other CCT available upon request *	
WL	ZT = HUT03BKBKBKWLZT example

* Specific CCT selection only available in 100K increments, from 2200K to 4000K inclusively. Not available with Dim-to-Warm feature.

FINISH



CORD



NOTES:

- must be installed by an electrician
- LED may only be changed by Lambert & Fils or other authorized personnel
- offset option available upon request
- not protected against liquids (refer to IP20)
- additional charges for modifications or for special orders
- please refer to maintenance sheet on website for cleaning instructions

DIMMER SPECIFICATIONS

TESTED DIMMER COMPATIBILITY LIST - 120V*

Compatible with 0-10V, Phase dimming (leading edge or trailing edge**)

Dimmer brand	Model	Dimmer protocol	Min level	Max level
Leviton	VPE06	Phase dimming	11%	100%
Lutron	DVELV303P	Phase dimming	8%	100%
Lutron	SELV300P	Phase dimming	8%	100%
Lightolier	ZP260QEW	Phase dimming	11%	100%
Lutron	FAELV500	Phase dimming	15%	100%
Lutron	MAELV600	Phase dimming	15%	100%
Leviton	IPE04	Phase dimming	8%	100%

TESTED DIMMER COMPATIBILITY LIST - 230V*

Compatible with 0-10V, Phase dimming (trailing edge only**)

Dimmer brand	Model	Dimmer protocol	Min level	Max level
Clipsal	32E450UDM	Phase dimming	18%	100%
Clipsal	32E450TM	Phase dimming	30%	99%

Some dimmers require a minimum load, check specifications.

*Other dimmers can yield good results and we recommend conducting your own test before final installation

**Leading edge is also known as TRIAC or Forward Phase. Trailing edge is also known as ELV or Reverse Phase.

EU ENERGY LABEL

