



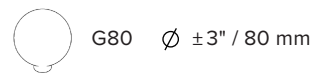
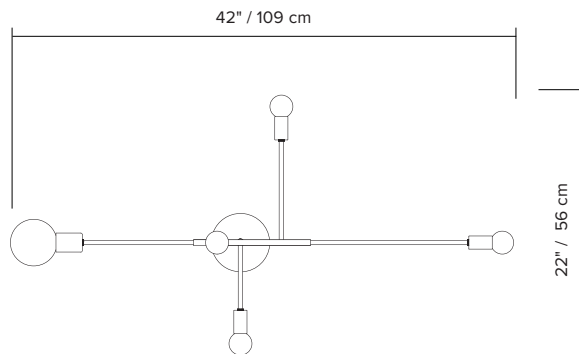
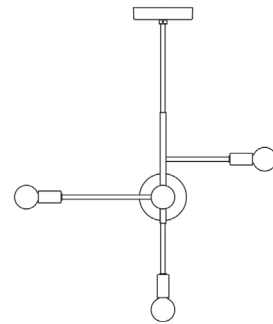
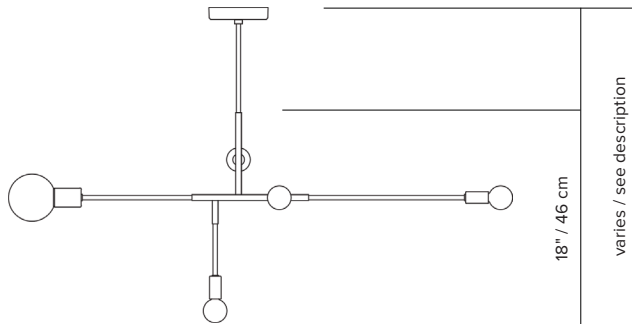




CLIFF SUSPENSION

The Cliff Collection brings together the best of Lambert & fils Studio in its use of many signature elements. Natural brass and matte black rods provide structure for lamps with elegant shades and a range of spherical bulbs. The finishing and connection details complete this full collection of lamps, giving character and nuance to their robust, functional forms.

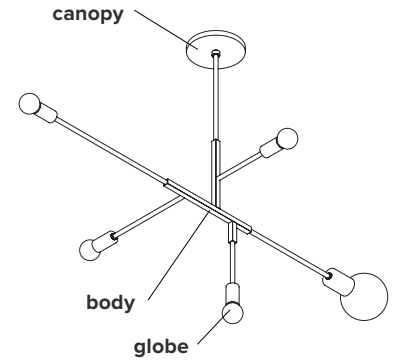
- type:** suspension
- construction:** brass body
brass hardware
milk glass globes
- specifications:** source: LED lamp provided (G9 base)
power consumption: 1 x 4.5W, 4 x 3.5W
lumen output: 1573lm
colour temperature: 2700K included
* 3000K available upon request
colour rendering index: 80 CRI standard
* ≥ 90 CRI upon request
expected lifetime: 25 000h
- control:** refer to our recommended list of dimmer models
- total height:** 24" | 30" | 36" | 42" | 54"
61 cm | 76 cm | 91 cm | 107 cm | 137 cm
- weight:** min. 3.7 lb / 1.7 kg - max. 4.1 lb / 1.9 kg
- certifications:**    
- warranty:** 2 years



*dimensions are approximate and may vary slightly

ORDER GUIDE: SKU

COLLECTION	MODEL	FINISH	HEIGHT
CLI cliff	01	BR brass GR graphite	A 24" / 61 cm B 30" / 76 cm C 36" / 91 cm D 42" / 107 cm E 54" / 137 cm V custom
CLI	01	BR	A = CLI01BRA example



FINISH



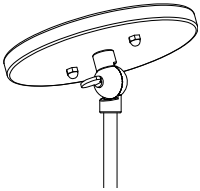
brass



graphite

CANOPY

swivel option for slanted ceiling



NOTES:

- must be installed by an electrician
- not protected against liquids (refer to IP20)
- additional charges for modifications or for special orders
- please refer to maintenance sheet on website for cleaning instructions

DIMMER SPECIFICATIONS

DIMMER LIST COMPATIBILITY FOR G9 LED BULBS – 120V

The dimming technology offering the best results is ELV (electronic low voltage) dimmers with reverse phase or trailing edge control.

DIMMER BRAND	MODEL NUMBER	MIN LEVEL	MAX LEVEL	FLICKERING	OVERALL QUOTE
LUTRON - MAESTRO	MAELV-600	0%	100%	0%-10%	good
LUTRON - SKYLARK	SELV-300P	0%	100%	no	very good
LUTRON - SKYLARK	SELV-303P	0%	100%	no	very good
LUTRON - SKYLARK	CTELV-303P	0%	100%	no	very good
LUTRON - DIVA	DVELV-300P	0%	100%	no	very good
LEGRAND - ADORNE	TRUE UNIVERSAL	30%	100%	no	good

DIMMER LIST COMPATIBILITY FOR G9 LED BULBS – 230V

DIMMER BRAND	MODEL NUMBER	MIN LEVEL	MAX LEVEL	FLICKERING	OVERALL QUOTE
VARILIGHT	V-PRO	2%	100%	no	very good
LEGRAND - NILOÉ	3 996 35	15%	87%	no	good
NIKO	310-0280X	5%	94%	no	very good
NIKO	310-0190X	1%	100%	no	very good

*Other dimmers can yield good results and we recommend conducting your own test before final installation.

EU ENERGY LABEL

