



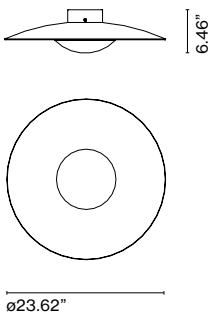
LED-Ginger

Joan Gaspar

marset



LED-Ginger 60C



LED-Ginger 32C

LED SMD 11.5W 700mA 2700K CRI90
Light source 1019lm
Luminaire 350lm
(included)

LED-Ginger 42C

LED SMD 21.7W 700mA 2700K CRI90
Light source 2039lm
Luminaire 698lm
(included)

LED-Ginger 60C

LED SMD 28.5W 700mA 2700K CRI90
Light source 3048lm
Luminaire 1165lm
(included)

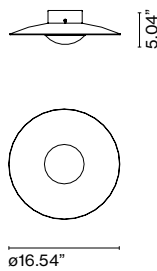
Accessory C2

LED SMD 33.2W 700mA 2700K CRI90
Light source 3058lm
Luminaire 1048lm
(included)

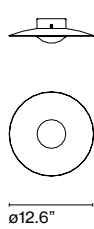
Accessory C3

LED SMD 61.7W 700mA 2700K CRI90
Light source 6106lm
Luminaire 2213lm
(included)

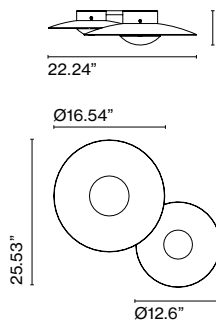
LED-Ginger 42C



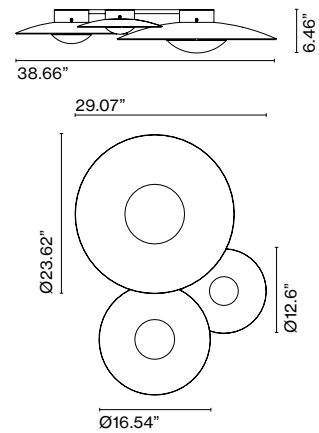
LED-Ginger 32C



Accessory C2



Accessory C3



Pressed wood diffuser of 0.16 inches in natural oak or wenge. Injected and lacquered black metal matte aluminum dissipater.

- Oak - Oak
- Wenge - Wenge
- Oak - White
- Wenge - White

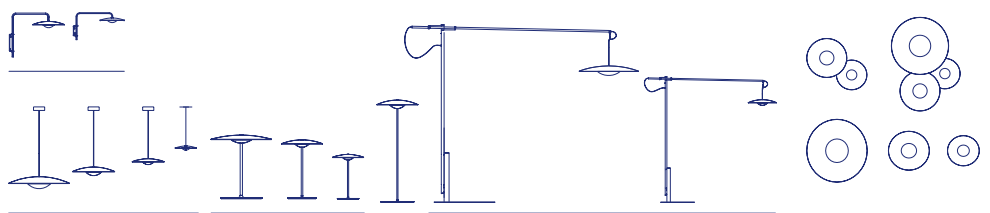


Dry locations only

- [Download](#) Assembly Instructions
- [Download](#) 2D
- [Download](#) 3D
- [Download](#) Photometric Data

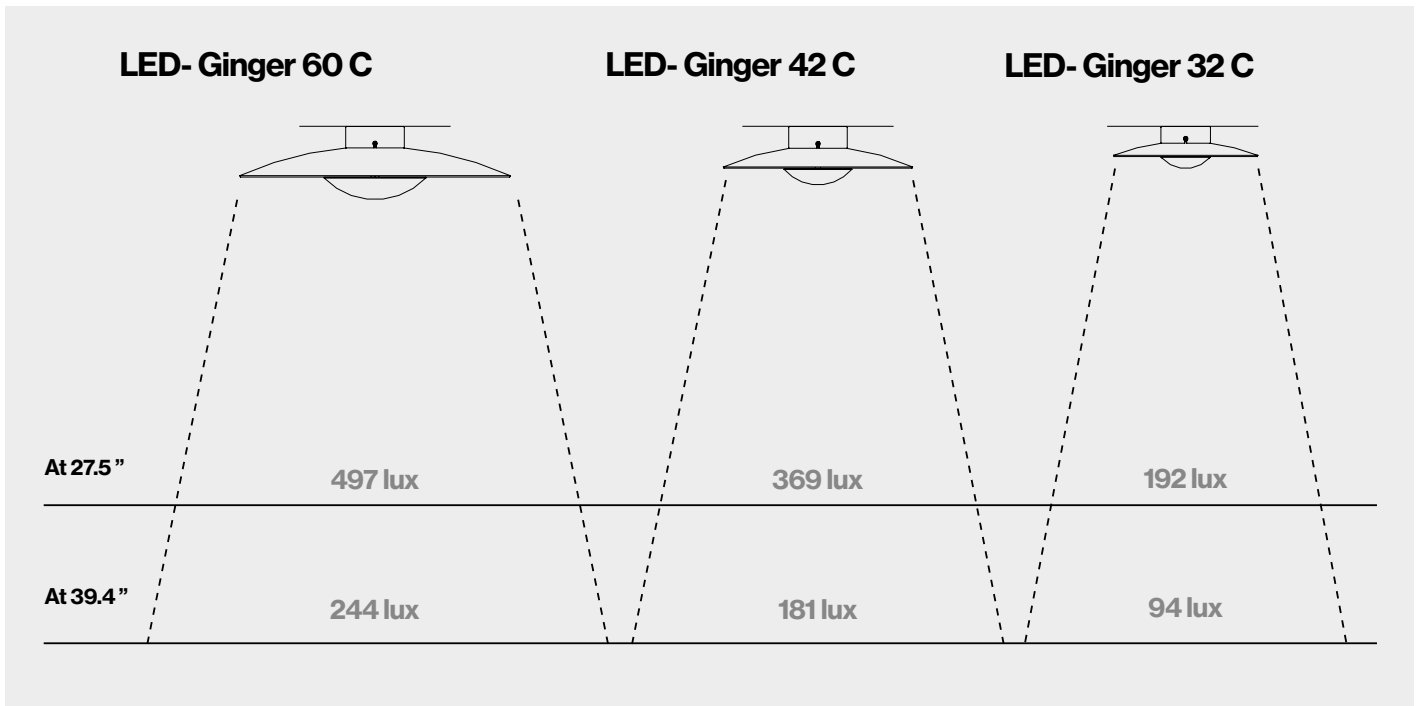
Watch the video
info@marset.com
www.marset.com

Range

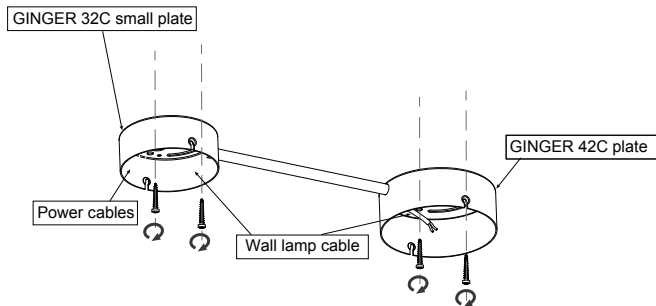
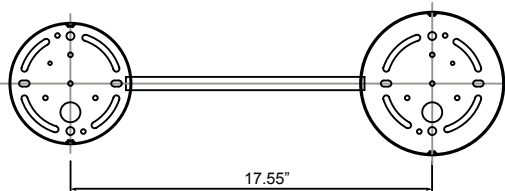


These ceiling lamps, which are formally extremely simple, are manufactured in three sizes. They also come in a set of two or three pieces to meet the qualities and needs of the space.

How LED- Ginger illuminates



Accessory C2



Accessory C3

