

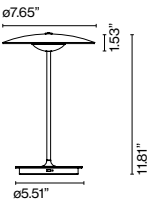
LED-Ginger

Joan Gaspar

marset



LED-Ginger 20 M



Watch the video
info@marset.com
www.marset.com

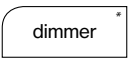
LED-Ginger 20 M
 LED SMD 5W 350mA 2700K
 Light Source 478lm
 (included)

- Oak
- Wenge
- Brushed brass - Brushed brass
- Brushed brass - White

Diffuser and pressed wood base of 0.16 inches in natural oak or wenge. Injected aluminum dissipater and lacquered black matte metal stem. Battery is located inside the base, with 5 hours of battery life at peak performance.



Dry locations only



* Products under approval process. (Brushed Brass only)

* 3 step dimmer

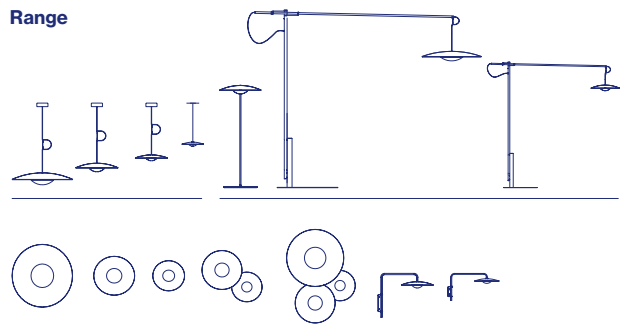
Battery life

- 5 hours in peak power
- 10 hours in half power
- 20 hours in a quarter power

- [Download](#) Assembly Instructions
- [Download](#) Photometric Data
- [Download](#) 2D
- [Download](#) 3D

Battery charging time: 10h

Range



Wood is a great ally of cozy lighting. It is a material that is hard to mold, a challenge that the Ginger collection neatly resolves. The combination of sheets of wood and paper pressed together under high pressure achieves a laminate that appears almost entirely flat.

How LED-Ginger illuminates

LED-Ginger 20 M

