



# Copérnica

## Ramírez i Carrillo

**marset**






**Copérnica M**

**Copérnica M**

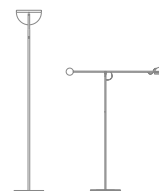
LED SMD 6.9W 700mA  
2700K CRI90  
Light source 427lm  
(included)

**Structure in satin nickel or graphite with the base and counterweight in lacquered steel. Tiltable difusser in aluminum with a built-in switch.**

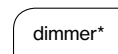
-  Satin nickel - Golden - White
-  Satin nickel - Graphite - White
-  Satin nickel - Red - White
-  Graphite - Golden - Black
-  Graphite - Matt chrome - Black
-  Graphite - Red - Black

- [Download](#) Assembly instructions
- [Download](#) 2D
- [Download](#) 3D
- [Download](#) Photometric data

**Collection**



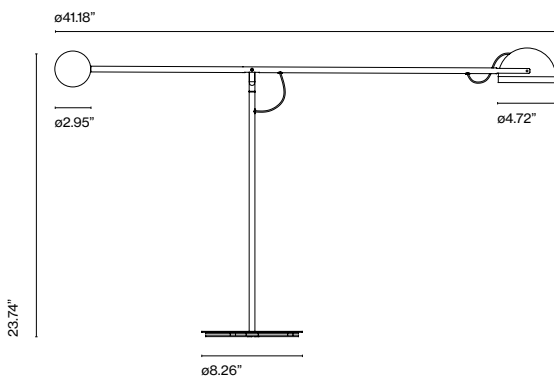
\* Under approval process.



\* 3 positions dimmer

Dry locations only

**Watch the video**  
info@marset.com



The collection consists of desktop and standing versions that play with counterweights of mixed materials and density, such as steel and aluminium. This design allows one to move the lamp with great precision, providing a wide range of heights, distances, and adjustments to the beam of light to suite one's taste.