



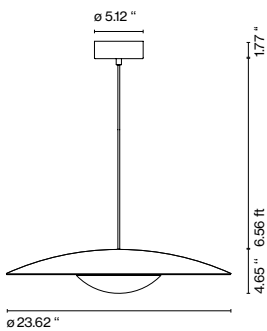
# LED-Ginger

## Joan Gaspar

marset

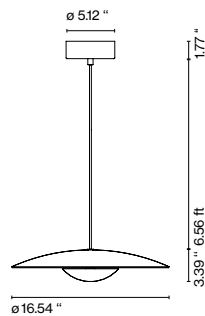


**LED-Ginger 60**

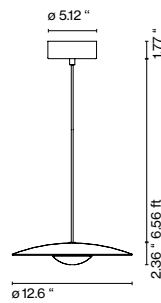


\*LED-Ginger 60 metal version uses a steel cable

**LED-Ginger 42**



**LED-Ginger 32**



**LED-Ginger 60**

LED SMD 28.5W 700mA  
2700K CRI90  
Luminaire 1165lm  
Lamp source 3023lm (included)

**LED-Ginger 42**

LED SMD 21.7W 700mA  
2700K CRI90  
Luminaire 698lm  
Lamp source 2130lm (included)

**LED-Ginger 32**

LED SMD 11.5W 700mA  
2700K CRI90  
Luminaire 350lm  
Lamp source 1066lm (included)

120 V - 60 Hz

- Oak - Oak
- Wenge - Wenge
- Oak - White
- Wenge - White
- Brushed brass - Brushed brass
- Brushed brass - White
- Black - White
- White - White

Black electrical cord

**Watch the video**  
info@marset.com  
www.marset.com

Pressed wood or brushed aluminum diffuser. Injected and lacquered black metal matte aluminum dissipater.



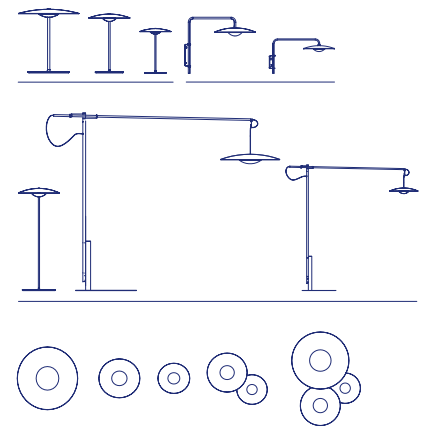
Dry locations only

dimmable

Triac phase control dimmer  
0-10 (120-270V)

- [Download](#) Assembly Instructions
- [Download](#) Photometric Data
- [Download](#) 2D
- [Download](#) 3D

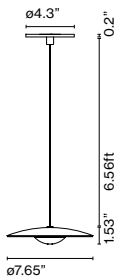
**Range**



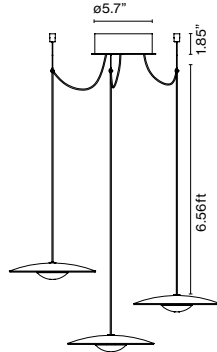
Wood is a great ally of cozy lighting. It is a material that is hard to mold, a challenge that the Ginger collection neatly resolves. The combination of sheets of wood and paper pressed together under high pressure achieves a laminate that appears almost entirely flat.



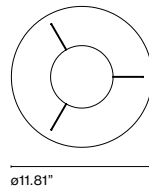
**LED-Ginger 20**



**LED-Ginger 20x3**



**LED-Ginger 20x3: Canopy accessory**



**LED-Ginger 20**

LED SMD 6W 350mA  
2700K CRI90  
Luminaire 139lm  
Lamp source 546lm  
(included)

**LED-Ginger 20x3**

3x LED SMD 6W 350mA  
2700K CRI90  
Luminaire 3x139lm  
Lamp source 3x546lm  
(included)\*\*

- Oak - Oak
- Wenge - Wenge
- Oak - White
- Wenge - White
- Brushed brass - Brushed brass
- Brushed brass - White
- Black - White
- White - White

Black electrical cord

\*\* Only Ginger 20x3 version  
0-10V / Triac phase control dimmer (Only 120V)

**Watch the video**  
info@marset.com  
www.marset.com

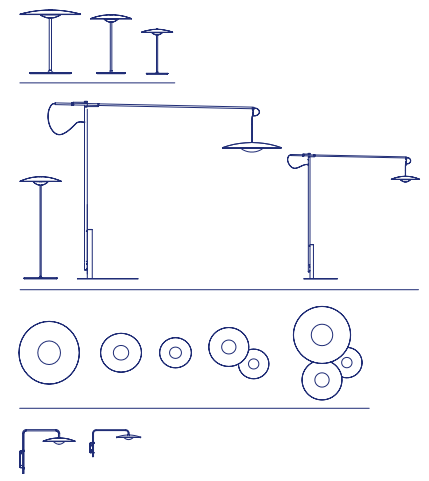
Pressed wood or brushed aluminum diffuser.  
Injected and lacquered black metal matte aluminum dissipater.

Dry locations only

dimmable\*\*

- [Download](#) Assembly Instructions
- [Download](#) Photometric Data
- [Download](#) 2D
- [Download](#) 3D

**Range**



Wood is a great ally of cozy lighting. It is a material that is hard to mold, a challenge that the Ginger collection neatly resolves. The combination of sheets of wood and paper pressed together under high pressure achieves a laminate that appears almost entirely flat.

### How LED-Ginger illuminates

