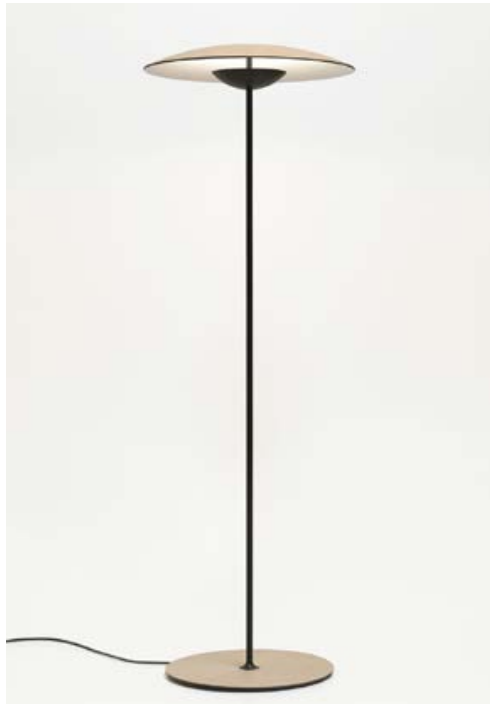


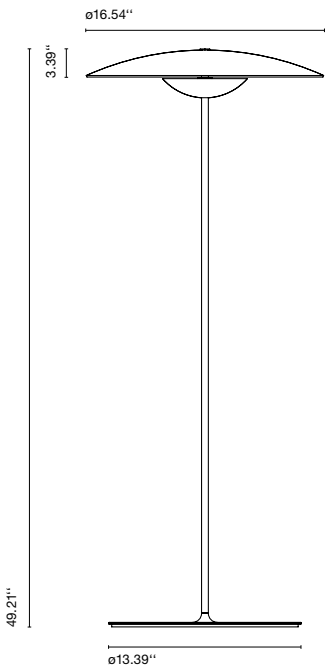


LED-Ginger Joan Gaspar

marset



LED-Ginger P



LED-Ginger P

LED SMD 21W 700mA 2700K
CRI90
Luminaire 698lm
Light Source 2130lm
(included)

- Oak
- Wenge

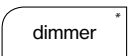
120 V - 60 Hz

Black electrical cord

Diffuser and pressed wood base of 0.16" in natural oak or wenge. Injected aluminum dissipater and lacquered black matte metal stem.



Dry locations only



** In-line motion sensor dimmer*

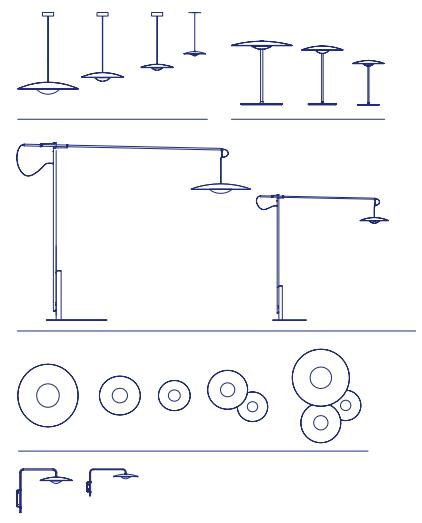
[Download](#) Assembly Instructions

[Download](#) Photometric Data

[Download](#) 2D

[Download](#) 3D

Range



Watch the video
info@marset.com
www.marset.com

Wood is an old ally of cozy lighting. It is a material that is hard to mold, a challenge that the Ginger collection neatly resolves. The combination of sheets of wood and paper pressed together under high pressure achieves a laminate that appears almost entirely flat.

How LED-Ginger illuminates

LED-Ginger P

