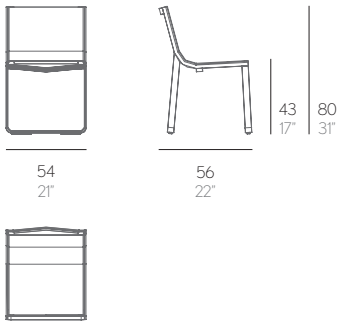


# FLAT TEXTIL

MARIO RUIZ



## SILLA

Aluminio soldado termolacado.  
Tela Batyline®.

## STUHL

Geschweißten thermolackierten Aluminium.  
Batyline® - Stoff.

## CHAISE

Aluminium soudé et thermolaqué.  
Tissu Batyline®.

## DINING CHAIR

Thermo-lacquered welded aluminium.  
Batyline® fabric.

## SEDIA

Alluminio saldato termolaccato.  
Tessuto Batyline®.

## DINING CHAIR

Thermo-lacquered welded aluminium.  
Batyline® fabric.

## MATERIALES. MATERIALS. MATERIALEN. MATERIALI. MATERIAUX

### ALUMINIUM

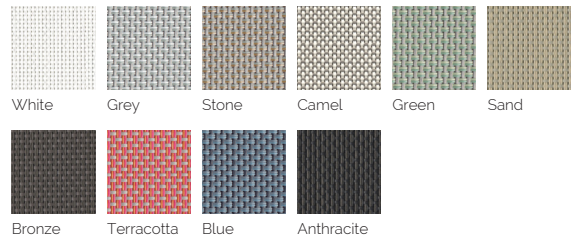


Resto de colores de aluminio disponibles con un incremento del 20%.  
Consultar a nuestro departamento Comercial.  
Other aluminium colours are available at a 20% price increase over.  
Please contact our Commercial department

Estructura. Frame. Profil. Struttura. Structure. Frame

7 kg - 19.8 lbs    15,4 m<sup>3</sup> - 11.3 ft<sup>3</sup>

### BATYLINE®



info@gandiablasco.com  
www.gandiablasco.com

G A N  
D I A  
B L A  
S C O