

Designed by Louis Weisdorf

PRODUCT



COLORS



// All brass



// Black/Brass



// All chrome



// White /Chrome

DESCRIPTION

The Multi-Lite was first drawn in 1972 when Louis Weisdorf did an exception to his own design custom of using multiple repeating elements. Instead it reflects his passion for diversity. The Multi-Lite Floor lamp has two individual rotating shades and can be transformed into multiple combinations where the light can be directed upwards, downwards or exude an asymmetrical art light. The lamp is available in seven colors and all the shades are white lacquered inside.

VERSION - MULTI-LITE FLOOR

Colour codes are indicative:

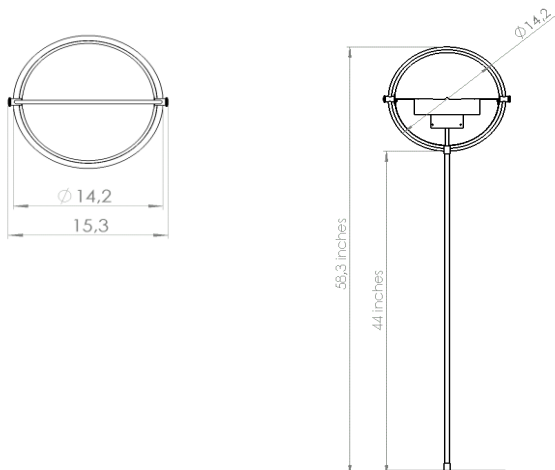
All Brass - Brass colored cable, Brass foot switch, Black plug
 Brass/Charcoal Black - RAL 9011 - Gloss level 5 - Brass cable, Brass foot switch, Black plug
 All Chrome - Black cable, Black foot switch, Black plug
 Chrome/White - RAL 9003 - Gloss level 15 - Black cable, Black foot switch, Black plug

Base and center pole:

- Brass on brass versions
- Chrome on chrome versions

MEASUREMENTS

Order item - look for part number in the pricelist.



FACTS

MEASUREMENT - *L x W x H inches*

Lamp height: 58,3 inches

Lamp diameter: dia. 14,2 inches

Wire length, exposed: Approx: 157,5 inches

WEIGHT ITEM - *LAMP INCL. WIRE*

405.650 oz

PACKAGING TYPE

Cardboard box

PACKAGING MEASUREMENT - *L x W x H*

L: 66,42 x W: 16,14 x H: 16,93 inches

WEIGHT PACKAGING - *MATERIAL TYPE (recycleable)*

- Polystyrene: 21.164 oz
- PE polybag: 3.456 oz
- Cardboard inside: 84.657 oz
- Cardboard outside: 105.821 oz

WEIGHT PACKAGING - *TOTAL*

215,1 oz

NUMBER OF PARCELS

1 pcs.

MULTI-LITE // FLOOR Ø360, US MODEL

THE MULTI-LITE COLLECTION

Designed by Louis Weisdorf

ACCESSORIES

-

ENVIRONMENT

-

TESTS

-

CERTIFICATION AND LABELS

SAFETY INSTRUCTIONS

If the cord or other electrical part is damaged, switch of the lamp and do not use it until it is repaired by a qualified electrician.

INSTALLATION INSTRUCTIONS

Instructions document no. 58-20-006-01

LIGHT SOURCE:

- Socket: E26 base
- Bulb types recommended:



- Recommended light sources: *Halogen light bulb*
- Recommended wattage: 46 W
- Max wattage: 57 W

All fluorescens light bulbs

- Recommended wattage: 15 W
- Max wattage: 18 W

LED retrofit light bulbs

- Recommended wattage: 9,5 W
- Max wattage: 11,5 W

- Max. light out put for above lamps:
1050 Lumens ≈ (75 WATT incandescent bulbs)

- US plug: Type A, 2 PIN, 15 amp, (NEMA 1-15)
- US voltage: 120 V
- Frequency: 60 Hz
- Supply voltage: AC power –
- Normally Closed: IP20



Class II / Double insulated

Mark for Canada and the U.S.

CARE INSTRUCTIONS

Some advice on cleaning your lamp:
Wipe the parts with a damp cloth soaked in warm water and a bit of mild detergent. Use only soft cloth for wiping and polishing, never scouring or steel wool. Do not use abrasive household cleaners. Do not use acids or acids containing household glass cleaner or household ammonia.

TROUBLESHOOTING

If lamp does not light, turn off the power. Check the bulb for a broken filament. Replace bulb if necessary. Don't turn it on. If the lamp still does not light, please contact customer service at the local dealer. If the external flexible cable or cord of this lamp is damaged, it must be replaced by a qualified electrician in order to avoid a hazard.

TECHNICAL INFORMATION

Light sources: E26 max. 1x175W incandescent bulb. Turn power off when changing light bulb. Maximum load: 1.50 Amps (120V) approved for outdoor use of some lamps (see figure 17/20).

SAFETY INSTRUCTIONS

SAFETY INSTRUCTIONS PERTAINING TO RISK OF FIRE, ELECTRIC SHOCK, OR INTERFERENCE WITH RADIO RECEIVING:

WARNING: Light bulb does NOT fit in this socket or. CAUTION: Keep lamp away from curtains, bedding, drapes, and any other flammable materials. Do not touch directly lit light bulb. Avoid contact with other items to avoid surface-heating, charring or other interference. Do not use in the proximity of sleeping quarters.

CAUTION: TO REDUCE THE RISK OF FIRE, USE ONLY TYPE A BULB, MAX. 75 WATT, E26, 120V 25W AC 100%.

Do not use with dimmer switch.

CAUTION: IMPORTANT! LAMP MUST BE REINSTALLED BY A QUALIFIED ELECTRICIAN!

GUBI

ASSEMBLY INSTRUCTIONS
for
MULTI-LITE FLOOR LAMP

For enquiries contact GUBI A/S - CVR: 1740384
København N, P.O. 2150 Hvidovre, Copenhagen, Denmark
T +45 69 15 60 60 - salesupport@gubi.dk
GUBI.COM

58-20-006-01 Assembly instructions Multi-Lite Floor Lamp US

GUBI

CONTENTS:

11

ASSEMBLY INSTRUCTIONS
MULTI-LITE FLOOR LAMP

Changing the bulb.

Adjusting the shade.

The half shade can be moved, and lightened by turning the fitting screw.