

Designed by Robert Dudley Best

PRODUCT



COLOURS



// Black / Chrome



// Off-White / Chrome



// White / Chrome

Item no.: 001-0630X
+ style code

DESCRIPTION

Bestlite has been in continuous production since 1930. Robert Dudley Best created Bestlite design. He was highly influenced by the Bauhaus. In the past 80 years, people Appreciated the lamps and it decorates many homes, hotels and restaurants worldwide. Loved by architects, designers and design aficionados throughout its 80-year history, today, Bestlite enjoys global iconic status.

VERSION - BESTLITE WALL LAMP BL6

Shade and base: Black, White or Off-White
Tube and arm: Chrome

RAL codes are indicative.

- Fabric wire - Black:
- Black / White inside // RAL 9005 / RAL 9003 // Gloss level 20 / Gloss level 20

- Fabric wire - Off-White:
- Off-White / White inside // RAL 1015 / RAL 9003 // Gloss level 20 / Gloss level 20

- Fabric wire - White:
- White / White inside // RAL 9003 / RAL 9003 // Gloss level 20 / Gloss level 20

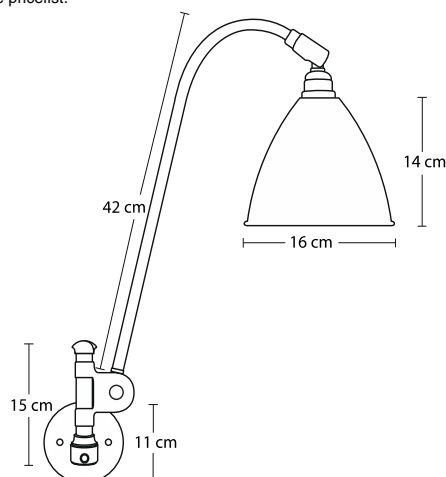
Please contact us for other colours or finishes.

VERSION

Order item - look for part number in the pricelist.

Series contains the following:

BL5, BL6, BL7, BL10



FACTS

MEASUREMENT - L X W X H inches

Lamp height: 5,9+16,5 inches
Tube length: 5,9 inches
Shade height: 5,5 inches
Shade diameter: dia. 6,3 inches

WEIGHT ITEM - LAMP INCL. WIRE

1100 g

PACKAGING TYPE

Cardboard box

PACKAGING MEASUREMENT - L X W X H inches

L:8,7 x W:24 x H:10,2 inches

WEIGHT PACKAGING - MATERIAL TYPE

- Paper Egg crate: 800 g
- Bestlite key: 18 g
- PE polybag: 1 g
- Screws: 5 g
- PE polybag: 60 g
- Cardboard outside: 800 g
- Cardboard top: 84 g

WEIGHT PACKAGING - TOTAL

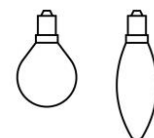
2868 g

NUMBER OF PARCELS

1 pcs.

LIGHT SOURCE:

- Socket: E12 base
- Bulb types recommended:



- Recommended light sources:

- Max. light output for below bulbs:
450 Lumens ≈ (40 WATT incandescent bulbs)

BESTLITE BL6 // WALL LAMP, HARD WIRED (SWITCHED), US MODEL

BESTLITE COLLECTION

Designed by Robert Dudley Best

CLEANING AND MAINTENANCE

Use a soft damp cloth when cleaning your Bestlite lamp. Do not use household cleaners.

ACCESSORIES

ENVIRONMENT

TESTS

CERTIFICATION AND LABELS

CUL-CERTIFIED

Incandescent bulbs
- Recommended wattage: 40 W
- Max wattage: 40 W

LED bulbs
- Recommended wattage: 4 W
- Max wattage: 5 W

All fluorescent light bulbs
- Recommended wattage: 9 W
- Max wattage: 13 W

- All lamps can be fitted with a dimmer.
Please contact your local electrician.

No cord, switch on wallbracket

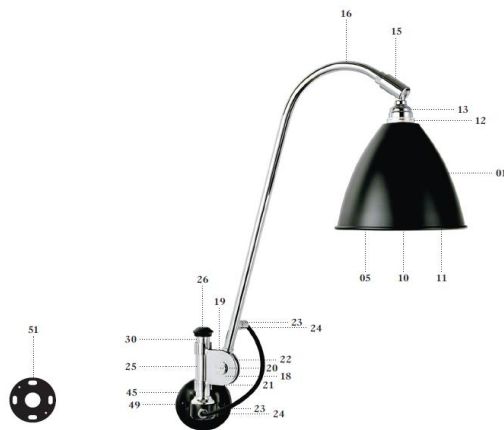
- Lightbulb not included
- US voltage: 120 V
- Frequency: 60 Hz
- Supply voltage: AC power -
- Normally Closed: IP20



Mark for Canada and the U.S.



Luminaires accepted for mounting on a flammable base



INSTALLATION INSTRUCTIONS

The Bestlite key:

It's a practical tool that enables you to fasten the lamp arm. Simply use it like a screwdriver in the slot in the Bestlite nut.

Instructions document: No. 10-20-005-01.

KOMPONENTS

- 01 // Shade Ø16 cm.
- 05 // E12 lamp holder
- 10 // Insulating ring
- 11 // Internal shade ring
- 12 // External shade ring
- 13 // Lamper holder cover
- 15 // Universal joint
- 16 // Bestlite arm
- 18 // Bestlite clip
- 19 // Bestlite nut
- 20 // Bestlite bolt
- 21 // Tension spring
- 22 // Fibre washer
- 23 // Cord grip
- 24 // Cord grip cover
- 25 // Acetate
- 26 // Top knob
- 30 // Tube
- 38 // Textile covered cord
- 40 // Switch
- 45 // Wall bracket
- 49 // Screw 9x19 mm.
- 51 // Mounting back plate Ø11 cm

MATERIAL

Shade and base: Powder coated aluminium
Tube and arm: Chromed steel
Textile covered cord

Connect the lamp wire to the wall bracket.

Be sure to connect all ground wires. Search for the green and yellow wires or the green and white wires in the wall bracket.

Turn wires carefully inside the gap of the wall bracket to the lamp or the wall bracket.

After the wires are inside the lamp or the wall bracket, be careful not to strain the wires. Make sure the wires are not touching each other.

Plug light bulb in lamp and turn it on if possible.

Technical information:
Light source: GUBI or SELECT FUSION OR FREE USE MAXI 40 WATT INCANDESCENT E12. Type B bulb (20-25W AC ONLY). Alternatively max. 100W halogen bulb. The shade is not suitable for use with an incandescent lamp.

Some advice on cleaning your Bestlite:
Powder coated parts - base bracket and shade: Wash the parts with a damp cloth soaked in warm water and a bit of mild detergent.
Chrome plated parts: Use the lamp with a chrome shade and shade clip to bring up volume. If the surface is to be used in a chrome shade, use a chrome shade and shade clip. Use only soft cloth for wiping and polishing, never sponges or steel wool. Do not use abrasive household cleaners. Do not use acids or alkaline cleaning materials, glass cleaner or household ammonia.

© GUBI - GUBI, Høbølvej 7-9, DK-2150, Nordhavn, Denmark • www.gubi.com

Dear Bestlite customer:
Congratulations on your Bestlite!
You have chosen a genuine design object, which has been in continuous production for more than 75 years.
On the other side of this leaflet you will find some useful instructions for the use of your Bestlite.
Should you have any questions, please feel free to email us at info@gubi.com or at www.gubi.com.

Best regards,
Bestlite

Wall bracket:
Choose and drill mark the spot carefully. The drilling point on the wall is recommended. Mark the points to make sure the mounting screws are placed on the wall in the right position. When the plate is fastened to the wall - attach the lamp to the wall bracket.

The Bestlite nut:
The shade fits all models except pendant.

The Bestlite clip:
A practical tool that enables you to fasten the lamp arm. Simply use it like a screwdriver in the slot in the Bestlite nut.

Wall mounting plate:
Two holes, above and below, respectively, mark the position of the mounting screws and plug. The holes of these two holes should always be horizontal. Marking the plate to these 2 positions is the best way to ensure the plate is straight.

1.3 keyhole for pre-drilling:
Cut out under arm and use it to mark your wall for accurate drilling of the hole. Make sure the horizontal line is in your wall's vertical plane.

2.1 keyhole for pre-drilling:
Cut out under arm and use it to mark your wall for accurate drilling of the hole. Make sure the horizontal line is in your wall's vertical plane.

2.2 keyhole for pre-drilling:
Cut out under arm and use it to mark your wall for accurate drilling of the hole. Make sure the horizontal line is in your wall's vertical plane.

2.3 keyhole for pre-drilling:
Cut out under arm and use it to mark your wall for accurate drilling of the hole. Make sure the horizontal line is in your wall's vertical plane.

2.4 keyhole for pre-drilling:
Cut out under arm and use it to mark your wall for accurate drilling of the hole. Make sure the horizontal line is in your wall's vertical plane.

2.5 keyhole for pre-drilling:
Cut out under arm and use it to mark your wall for accurate drilling of the hole. Make sure the horizontal line is in your wall's vertical plane.

2.6 keyhole for pre-drilling:
Cut out under arm and use it to mark your wall for accurate drilling of the hole. Make sure the horizontal line is in your wall's vertical plane.

2.7 keyhole for pre-drilling:
Cut out under arm and use it to mark your wall for accurate drilling of the hole. Make sure the horizontal line is in your wall's vertical plane.

2.8 keyhole for pre-drilling:
Cut out under arm and use it to mark your wall for accurate drilling of the hole. Make sure the horizontal line is in your wall's vertical plane.

2.9 keyhole for pre-drilling:
Cut out under arm and use it to mark your wall for accurate drilling of the hole. Make sure the horizontal line is in your wall's vertical plane.

2.10 keyhole for pre-drilling:
Cut out under arm and use it to mark your wall for accurate drilling of the hole. Make sure the horizontal line is in your wall's vertical plane.

2.11 keyhole for pre-drilling:
Cut out under arm and use it to mark your wall for accurate drilling of the hole. Make sure the horizontal line is in your wall's vertical plane.

2.12 keyhole for pre-drilling:
Cut out under arm and use it to mark your wall for accurate drilling of the hole. Make sure the horizontal line is in your wall's vertical plane.

2.13 keyhole for pre-drilling:
Cut out under arm and use it to mark your wall for accurate drilling of the hole. Make sure the horizontal line is in your wall's vertical plane.

2.14 keyhole for pre-drilling:
Cut out under arm and use it to mark your wall for accurate drilling of the hole. Make sure the horizontal line is in your wall's vertical plane.

2.15 keyhole for pre-drilling:
Cut out under arm and use it to mark your wall for accurate drilling of the hole. Make sure the horizontal line is in your wall's vertical plane.

2.16 keyhole for pre-drilling:
Cut out under arm and use it to mark your wall for accurate drilling of the hole. Make sure the horizontal line is in your wall's vertical plane.

2.17 keyhole for pre-drilling:
Cut out under arm and use it to mark your wall for accurate drilling of the hole. Make sure the horizontal line is in your wall's vertical plane.

2.18 keyhole for pre-drilling:
Cut out under arm and use it to mark your wall for accurate drilling of the hole. Make sure the horizontal line is in your wall's vertical plane.

2.19 keyhole for pre-drilling:
Cut out under arm and use it to mark your wall for accurate drilling of the hole. Make sure the horizontal line is in your wall's vertical plane.

2.20 keyhole for pre-drilling:
Cut out under arm and use it to mark your wall for accurate drilling of the hole. Make sure the horizontal line is in your wall's vertical plane.

2.21 keyhole for pre-drilling:
Cut out under arm and use it to mark your wall for accurate drilling of the hole. Make sure the horizontal line is in your wall's vertical plane.

2.22 keyhole for pre-drilling:
Cut out under arm and use it to mark your wall for accurate drilling of the hole. Make sure the horizontal line is in your wall's vertical plane.

2.23 keyhole for pre-drilling:
Cut out under arm and use it to mark your wall for accurate drilling of the hole. Make sure the horizontal line is in your wall's vertical plane.

2.24 keyhole for pre-drilling:
Cut out under arm and use it to mark your wall for accurate drilling of the hole. Make sure the horizontal line is in your wall's vertical plane.

2.25 keyhole for pre-drilling:
Cut out under arm and use it to mark your wall for accurate drilling of the hole. Make sure the horizontal line is in your wall's vertical plane.

2.26 keyhole for pre-drilling:
Cut out under arm and use it to mark your wall for accurate drilling of the hole. Make sure the horizontal line is in your wall's vertical plane.

2.27 keyhole for pre-drilling:
Cut out under arm and use it to mark your wall for accurate drilling of the hole. Make sure the horizontal line is in your wall's vertical plane.

2.28 keyhole for pre-drilling:
Cut out under arm and use it to mark your wall for accurate drilling of the hole. Make sure the horizontal line is in your wall's vertical plane.

2.29 keyhole for pre-drilling:
Cut out under arm and use it to mark your wall for accurate drilling of the hole. Make sure the horizontal line is in your wall's vertical plane.

2.30 keyhole for pre-drilling:
Cut out under arm and use it to mark your wall for accurate drilling of the hole. Make sure the horizontal line is in your wall's vertical plane.

2.31 keyhole for pre-drilling:
Cut out under arm and use it to mark your wall for accurate drilling of the hole. Make sure the horizontal line is in your wall's vertical plane.

2.32 keyhole for pre-drilling:
Cut out under arm and use it to mark your wall for accurate drilling of the hole. Make sure the horizontal line is in your wall's vertical plane.

2.33 keyhole for pre-drilling:
Cut out under arm and use it to mark your wall for accurate drilling of the hole. Make sure the horizontal line is in your wall's vertical plane.

2.34 keyhole for pre-drilling:
Cut out under arm and use it to mark your wall for accurate drilling of the hole. Make sure the horizontal line is in your wall's vertical plane.

2.35 keyhole for pre-drilling:
Cut out under arm and use it to mark your wall for accurate drilling of the hole. Make sure the horizontal line is in your wall's vertical plane.

2.36 keyhole for pre-drilling:
Cut out under arm and use it to mark your wall for accurate drilling of the hole. Make sure the horizontal line is in your wall's vertical plane.

2.37 keyhole for pre-drilling:
Cut out under arm and use it to mark your wall for accurate drilling of the hole. Make sure the horizontal line is in your wall's vertical plane.

2.38 keyhole for pre-drilling:
Cut out under arm and use it to mark your wall for accurate drilling of the hole. Make sure the horizontal line is in your wall's vertical plane.

2.39 keyhole for pre-drilling:
Cut out under arm and use it to mark your wall for accurate drilling of the hole. Make sure the horizontal line is in your wall's vertical plane.

2.40 keyhole for pre-drilling:
Cut out under arm and use it to mark your wall for accurate drilling of the hole. Make sure the horizontal line is in your wall's vertical plane.

2.41 keyhole for pre-drilling:
Cut out under arm and use it to mark your wall for accurate drilling of the hole. Make sure the horizontal line is in your wall's vertical plane.

2.42 keyhole for pre-drilling:
Cut out under arm and use it to mark your wall for accurate drilling of the hole. Make sure the horizontal line is in your wall's vertical plane.

2.43 keyhole for pre-drilling:
Cut out under arm and use it to mark your wall for accurate drilling of the hole. Make sure the horizontal line is in your wall's vertical plane.

2.44 keyhole for pre-drilling:
Cut out under arm and use it to mark your wall for accurate drilling of the hole. Make sure the horizontal line is in your wall's vertical plane.

2.45 keyhole for pre-drilling:
Cut out under arm and use it to mark your wall for accurate drilling of the hole. Make sure the horizontal line is in your wall's vertical plane.

2.46 keyhole for pre-drilling:
Cut out under arm and use it to mark your wall for accurate drilling of the hole. Make sure the horizontal line is in your wall's vertical plane.

2.47 keyhole for pre-drilling:
Cut out under arm and use it to mark your wall for accurate drilling of the hole. Make sure the horizontal line is in your wall's vertical plane.

2.48 keyhole for pre-drilling:
Cut out under arm and use it to mark your wall for accurate drilling of the hole. Make sure the horizontal line is in your wall's vertical plane.

2.49 keyhole for pre-drilling:
Cut out under arm and use it to mark your wall for accurate drilling of the hole. Make sure the horizontal line is in your wall's vertical plane.

2.50 keyhole for pre-drilling:
Cut out under arm and use it to mark your wall for accurate drilling of the hole. Make sure the horizontal line is in your wall's vertical plane.

2.51 keyhole for pre-drilling:
Cut out under arm and use it to mark your wall for accurate drilling of the hole. Make sure the horizontal line is in your wall's vertical plane.

2.52 keyhole for pre-drilling:
Cut out under arm and use it to mark your wall for accurate drilling of the hole. Make sure the horizontal line is in your wall's vertical plane.

2.53 keyhole for pre-drilling:
Cut out under arm and use it to mark your wall for accurate drilling of the hole. Make sure the horizontal line is in your wall's vertical plane.

2.54 keyhole for pre-drilling:
Cut out under arm and use it to mark your wall for accurate drilling of the hole. Make sure the horizontal line is in your wall's vertical plane.

2.55 keyhole for pre-drilling:
Cut out under arm and use it to mark your wall for accurate drilling of the hole. Make sure the horizontal line is in your wall's vertical plane.

2.56 keyhole for pre-drilling:
Cut out under arm and use it to mark your wall for accurate drilling of the hole. Make sure the horizontal line is in your wall's vertical plane.

2.57 keyhole for pre-drilling:
Cut out under arm and use it to mark your wall for accurate drilling of the hole. Make sure the horizontal line is in your wall's vertical plane.

2.58 keyhole for pre-drilling:
Cut out under arm and use it to mark your wall for accurate drilling of the hole. Make sure the horizontal line is in your wall's vertical plane.

2.59 keyhole for pre-drilling:
Cut out under arm and use it to mark your wall for accurate drilling of the hole. Make sure the horizontal line is in your wall's vertical plane.

2.60 keyhole for pre-drilling:
Cut out under arm and use it to mark your wall for accurate drilling of the hole. Make sure the horizontal line is in your wall's vertical plane.

2.61 keyhole for pre-drilling:
Cut out under arm and use it to mark your wall for accurate drilling of the hole. Make sure the horizontal line is in your wall's vertical plane.

2.62 keyhole for pre-drilling:
Cut out under arm and use it to mark your wall for accurate drilling of the hole. Make sure the horizontal line is in your wall's vertical plane.

2.63 keyhole for pre-drilling:
Cut out under arm and use it to mark your wall for accurate drilling of the hole. Make sure the horizontal line is in your wall's vertical plane.

2.64 keyhole for pre-drilling:
Cut out under arm and use it to mark your wall for accurate drilling of the hole. Make sure the horizontal line is in your wall's vertical plane.

2.65 keyhole for pre-drilling:
Cut out under arm and use it to mark your wall for accurate drilling of the hole. Make sure the horizontal line is in your wall's vertical plane.

2.66 keyhole for pre-drilling:
Cut out under arm and use it to mark your wall for accurate drilling of the hole. Make sure the horizontal line is in your wall's vertical plane.

2.67 keyhole for pre-drilling:
Cut out under arm and use it to mark your wall for accurate drilling of the hole. Make sure the horizontal line is in your wall's vertical plane.

2.68 keyhole for pre-drilling:
Cut out under arm and use it to mark your wall for accurate drilling of the hole. Make sure the horizontal line is in your wall's vertical plane.

2.69 keyhole for pre-drilling:
Cut out under arm and use it to mark your wall for accurate drilling of the hole. Make sure the horizontal line is in your wall's vertical plane.

2.70 keyhole for pre-drilling:
Cut out under arm and use it to mark your wall for accurate drilling of the hole. Make sure the horizontal line is in your wall's vertical plane.

2.71 keyhole for pre-drilling:
Cut out under arm and use it to mark your wall for accurate drilling of the hole. Make sure the horizontal line is in your wall's vertical plane.

2.72 keyhole for pre-drilling:
Cut out under arm and use it to mark your wall for accurate drilling of the hole. Make sure the horizontal line is in your wall's vertical plane.

2.73 keyhole for pre-drilling:
Cut out under arm and use it to mark your wall for accurate drilling of the hole. Make sure the horizontal line is in your wall's vertical plane.

2.74 keyhole for pre-drilling:
Cut out under arm and use it to mark your wall for accurate drilling of the hole. Make sure the horizontal line is in your wall's vertical plane.

2.75 keyhole for pre-drilling:
Cut out under arm and use it to mark your wall for accurate drilling of the hole. Make sure the horizontal line is in your wall's vertical plane.

2.76 keyhole for pre-drilling:
Cut out under arm and use it to mark your wall for accurate drilling of the hole. Make sure the horizontal line is in your wall's vertical plane.

2.77 keyhole for pre-drilling:
Cut out under arm and use it to mark your wall for accurate drilling of the hole. Make sure the horizontal line is in your wall's vertical plane.

2.78 keyhole for pre-drilling:
Cut out under arm and use it to mark your wall for accurate drilling of the hole. Make sure the horizontal line is in your wall's vertical plane.

2.79 keyhole for pre-drilling:
Cut out under arm and use it to mark your wall for accurate drilling of the hole. Make sure the horizontal line is in your wall's vertical plane.

2.80 keyhole for pre-drilling:
Cut out under arm and use it to mark your wall for accurate drilling of the hole. Make sure the horizontal line is in your wall's vertical plane.

2.81 keyhole for pre-drilling:
Cut out under arm and use it to mark your wall for accurate drilling of the hole. Make sure the horizontal line is in your wall's vertical plane.

2.82 keyhole for pre-drilling:
Cut out under arm and use it to mark your wall for accurate drilling of the hole. Make sure the horizontal line is in your wall's vertical plane.

2.83 keyhole for pre-drilling:
Cut out under arm and use it to mark your wall for accurate drilling of the hole. Make sure the horizontal line is in your wall's vertical plane.

2.84 keyhole for pre-drilling:
Cut out under arm and use it to mark your wall for accurate drilling of the hole. Make sure the horizontal line is in your wall's vertical plane.

2.85 keyhole for pre-drilling:
Cut out under arm and use it to mark your wall for accurate drilling of the hole. Make sure the horizontal line is in your wall's vertical plane.

2.86 keyhole for pre-drilling:
Cut out under arm and use it to mark your wall for accurate drilling of the hole. Make sure the horizontal line is in your wall's vertical plane.

2.87 keyhole for pre-drilling:
Cut out under arm and use it to mark your wall for accurate drilling of the hole. Make sure the horizontal line is in your wall's vertical plane.

2.88 keyhole for pre-drilling:
Cut out under arm and use it to mark your wall for accurate drilling of the hole. Make sure the horizontal line is in your wall's vertical plane.

2.89 keyhole for pre-drilling:
Cut out under arm and use it to mark your wall for accurate drilling of the hole. Make sure the horizontal line is in your wall's vertical plane.

2.90 keyhole for pre-drilling:
Cut out under arm and use it to mark your wall for accurate drilling of the hole. Make sure the horizontal line is in your wall's vertical plane.

2.91 keyhole for pre-drilling:
Cut out under arm and use it to mark your wall for accurate drilling of the hole. Make sure the horizontal line is in your wall's vertical plane.

2.92 keyhole for pre-drilling:
Cut out under arm and use it to mark your wall for accurate drilling of the hole. Make sure the horizontal line is in your wall's vertical plane.

2.93 keyhole for pre-drilling:
Cut out under arm and use it to mark your wall for accurate drilling of the hole. Make sure the horizontal line is in your wall's vertical plane.

2.94 keyhole for pre-drilling:
Cut out under arm and use it to mark your wall for accurate drilling of the hole. Make sure the horizontal line is in your wall's vertical plane.

2.95 keyhole for pre-drilling:
Cut out under arm and use it to mark your wall for accurate drilling of the hole. Make sure the horizontal line is in your wall's vertical plane.

2.96 keyhole for pre-drilling:
Cut out under arm and use it to mark your wall for accurate drilling of the hole. Make sure the horizontal line is in your wall's vertical plane.

2.97 keyhole for pre-drilling:
Cut out under arm and use it to mark your wall for accurate drilling of the hole. Make sure the horizontal line is in your wall's vertical plane.

2.98 keyhole for pre-drilling:
Cut out under arm and use it to mark your wall for accurate drilling of the hole. Make sure the horizontal line is in your wall's vertical plane.

2.99 keyhole for pre-drilling:
Cut out under arm and use it to mark your wall for accurate drilling of the hole. Make sure the horizontal line is in your wall's vertical plane.

3.00 keyhole for pre-drilling:
Cut out under arm and use it to mark your wall for accurate drilling of the hole. Make sure the horizontal line is in your wall's vertical plane.

10-20-005-01 Mounting instructions BL 6 US