

---

# Springtime

COMPLEMENTS

*Jean-Marie Massaud*



## Description

This collection designed by Jean-Marie Massaud is made up of sofas and chaise longue with white polyester powder painted aluminium frames. The pieces have stainless steel feet, polyester fibre upholstery and cover in water-repellent fabric available in four colours. Other small tables, such as square and rectangular, with mahogany tops can also be outfitted with cushions. The second deeper model plays on the concept of the canopy, a sort of shaded alcove covered in light polyester fabric that creates a very relaxing and intimate space. The rectangular table from the Springtime collection reflects the rigour and austerity of the other pieces. The collection also includes several complements.

---

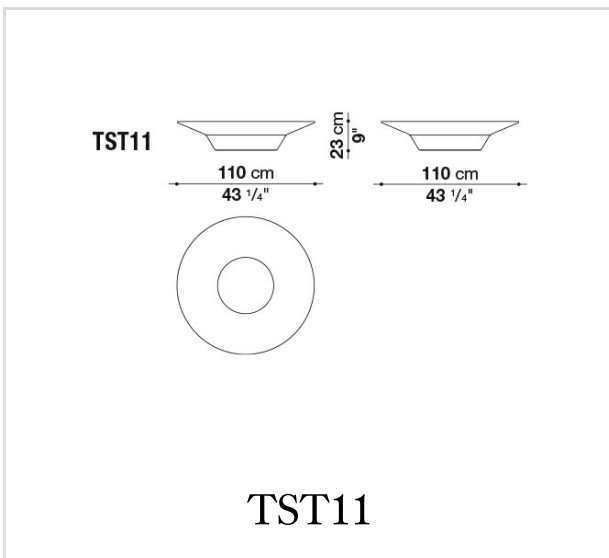
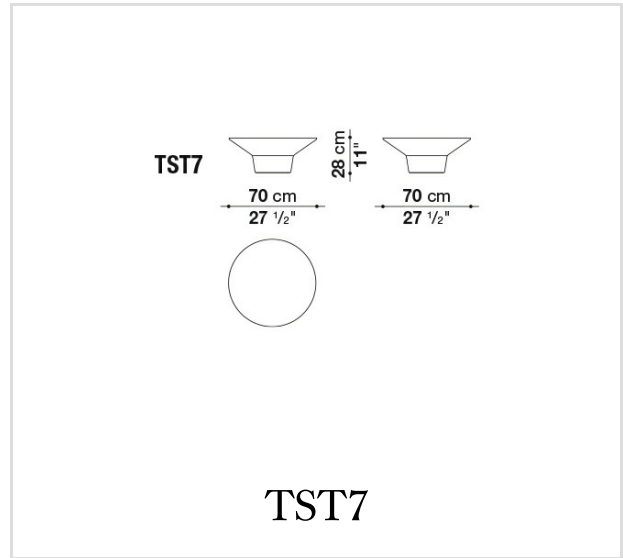
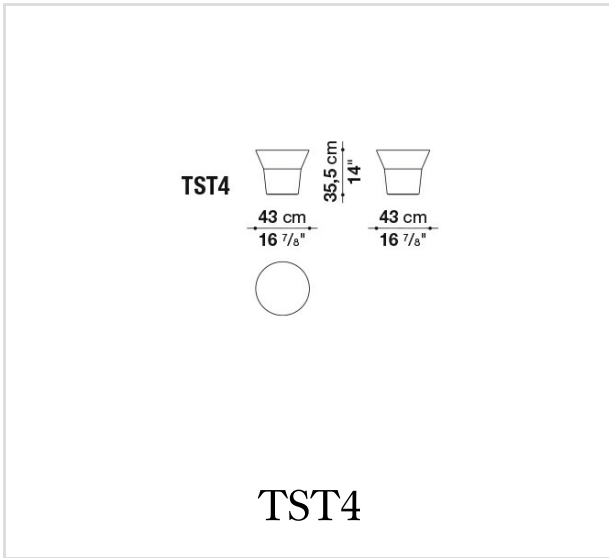
## Technical information

### Frame:

white Cristalplant Outdoor® (natural mineral filler of phosphate of aluminium with polyester acrylate resin)

---

# Technical drawings



B&B Italia reserves the right to make technological and aesthetic improvements to its models, including changes to the sizes and materials, without notice. The technical drawings do not define the details of the product. The measurements shown are indicative and may undergo changes. In particular, the dimensions relevant to the padded parts are subject to usage tolerances over time caused by the normal adjustment of the padding. For the specific information, please contact the dealer closest to you.