
Ray Outdoor Fabric

SOFAS

Antonio Citterio



Description

After their success indoors, the Ray seating system by Antonio Citterio now include two new outdoor versions, namely the "Natural" and "Fabric" collections of seats, which stand out for their new braidings and materials. Ray Outdoor Fabric features an interlacing ribbon pattern, created using polypropylene fibre that are resistant to UV rays and weathering. The range of colours, particularly suitable for outdoor environments, varies from turquoise to blue and from acid green to tortora through to bright bordeaux. Ray Outdoor Fabric is available with extruded aluminium feet or teakwood base. The "Natural" and "Fabric" collections consist of sofas available in two depths as well as modular elements such as terminal elements or chaise longue and armchairs. The sunbed with wheels only features in the "Fabric" collection.

Technical information

Internal frame

tubular aluminium and aluminium profiles with polyester powder painting

Upholstery

shaped polyurethane, Solotex fibre and visco-elastic polyurethane combination, cover in water repellent polyester fibre

Back cushion

polyester fibre, cover in water repellent polyester fibre

Interlacing

polypropylene fibre braid

Feet

die-cast aluminium and extrusions with polyester powder painting

Ferrules

thermoplastic material

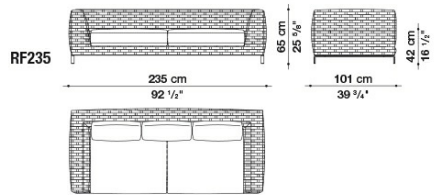
Waterproof cover cloth

PES fabric coated on one side in PU

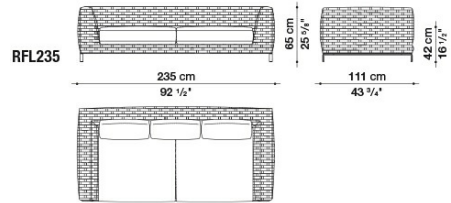
Cover

fabric in limited categories

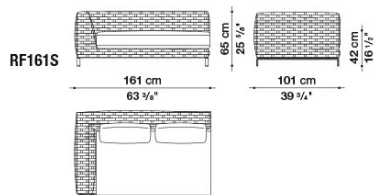
Technical drawings



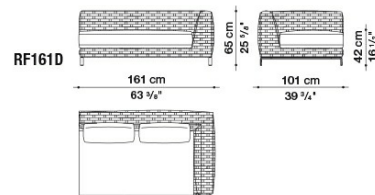
RF235



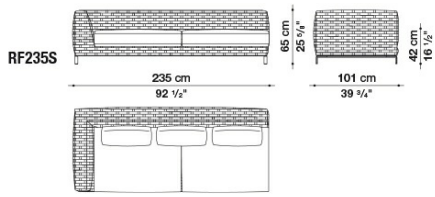
RFL235



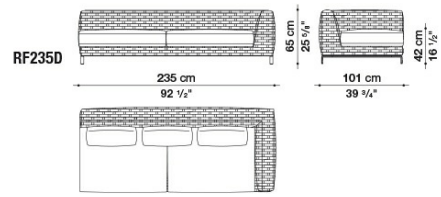
RF161S



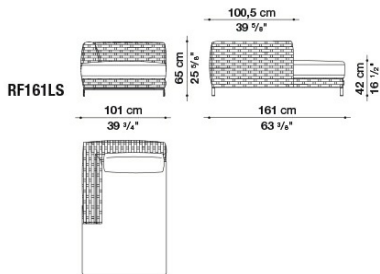
RF161D



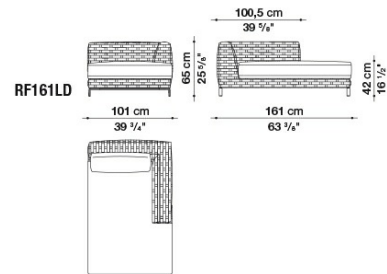
RF235S



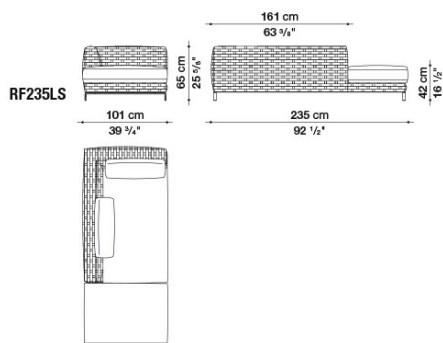
RF235D



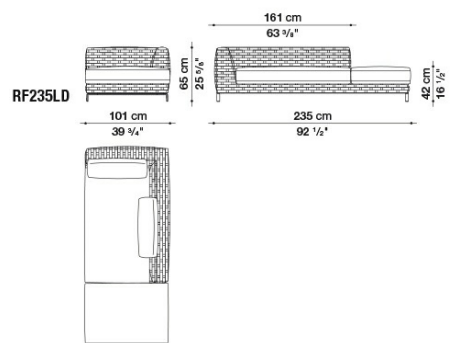
RF161LS



RF161LD



RF235LS



RF235LD

B&B Italia reserves the right to make technological and aesthetic improvements to its models, including changes to the sizes and materials, without notice. The technical drawings do not define the details of the product. The measurements shown are indicative and may undergo changes. In particular, the dimensions relevant to the padded parts are subject to usage tolerances over time caused by the normal adjustment of the padding. For the specific information, please contact the dealer closest to you.