

---

# Area

SMALL TABLES

*Paolo Piva*



## Description

Low table to be used in the conversation area with the dual role of convenient surface and seat, by exploiting its soft portion. The small ottoman forms the set with a consistent graphic spirit.

---

## Technical information

### Top and partitions:

satin or glossy painted MDF wood fibre panel

### Support frame:

bronzed nickel painted, painted black chrome or bright chromed drawn steel

### Ferrules:

plastic material

### Frame (AR53P):

shaped polyurethane of different density, polyester fibre cover

### Bottom base (AR53P):

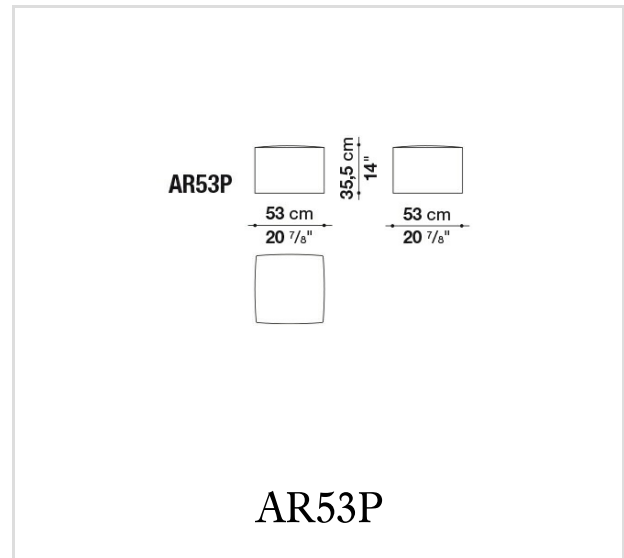
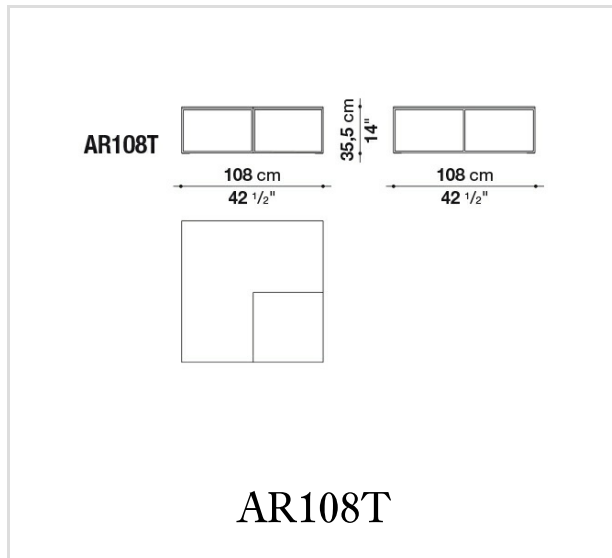
100% jute fabric, plastic material

### Cover (AR53P):

fabric (eco-leather profiles) or leather

---

# Technical drawings



B&B Italia reserves the right to make technological and aesthetic improvements to its models, including changes to the sizes and materials, without notice. The technical drawings do not define the details of the product. The measurements shown are indicative and may undergo changes. In particular, the dimensions relevant to the padded parts are subject to usage tolerances over time caused by the normal adjustment of the padding. For the specific information, please contact the dealer closest to you.