



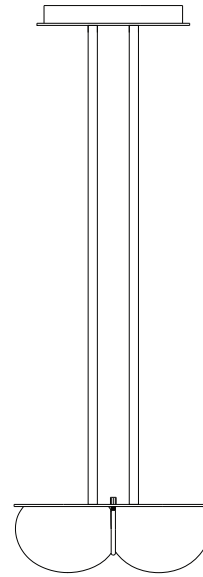
# TWIN 4.0 PENDANT

## Installation Instructions

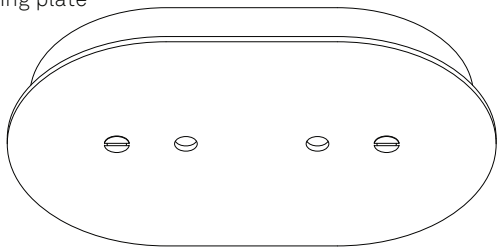
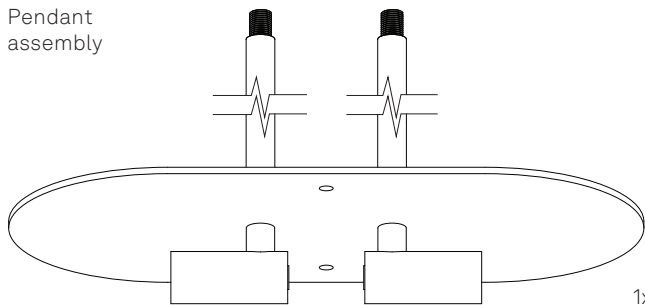
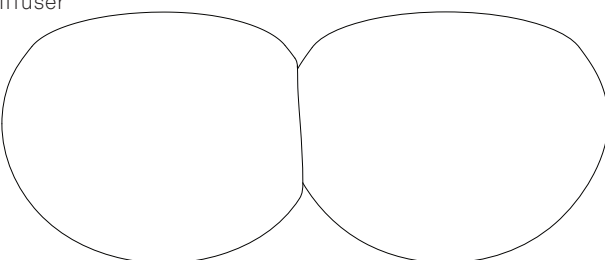
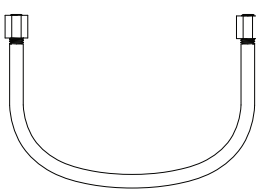
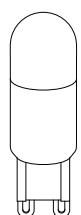
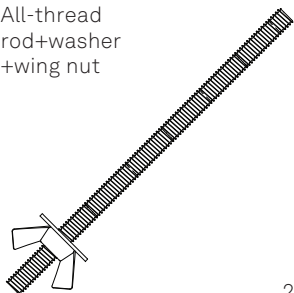
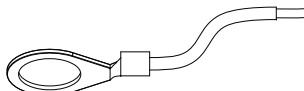
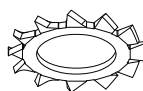
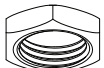
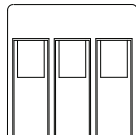
*Congratulations on your purchase of a SkLO Twin 4.0 Pendant. This product must be installed in accordance with the applicable codes by a person familiar with the construction and operation of the product and the hazards involved, preferably a licensed electrician. Use a maximum 7W bulb.*

**When unpacking individual items and parts of the light fixture, make sure to lay them out on a protective surface that will neither mar the delicate metal finishes nor scratch the glass. Gloves (nitrile) are provided and must be worn during installation to avoid fingerprints on the finish of the exposed metal parts.**

Your SkLO fixture will arrive with the hand blown glass elements packed separately from the light fixture itself.



### CONTENTS:

Canopy with mounting plate	Pendant assembly	
		
	1x	1x
Glass diffuser	Crossbar +nuts	Light bulb
		
	1x	1x
All-thread rod+washer +wing nut	Grounding lug	Lock washer
		
	2x	1x
Hexagonal nut		Wire connector
		
		2x
		3x



1. The mounting plate will arrive fastened to the canopy. Separate the mounting plate from the canopy by carefully removing the two machine screws and set these aside for use during final installation (Figure 1).
2. Feed the wires through the holes in canopy. Use supplied lock washers and nuts to attach the grounding lug to the canopy and secure the canopy to the threaded nipple at the top of each stem (Figure 2a).

For lights with longer OAD lengths, the stems will be in multiple parts. Uncoil the electrical wiring at the top of the fixture and carefully pass the wires through each stem as you fasten them together. To connect the stems, first, attach one of the lengths of the stem to the fixture by threading the open female/ internally threaded end of the stem onto the exposed threaded nipple on the top of the fixture (Figure 2a). Then, attach the remaining stem lengths by threading the open end of each stem onto the exposed nipple of the other (Figure 2b).

3. Position the mounting plate over the electrical leads on the ceiling in a way that the central opening in the plate and leads are aligned. Determine the final desired position and orientation of the fixture. The mounting plate installs directly to the pre-drilled holes with inserted anchors. Fasteners/anchors (not provided) that are appropriate to the ceiling material being fastened to and in adequate number to support the approximate 5.5 kg weight of the fixture must be installed using some or all the holes (Figure 3).
4. Fully thread the two provided nylon all-thread rods into the two threaded stand-offs on the mounting plate and slide the canopy up and over the all-thread rods such that each rod passes through the appropriate hole in the canopy. One at a time, slide a nylon washer up over both all-threads and thread on a wing nut so that the canopy can rest on the two washers. Level the canopy (Figure 4).

5. With the fixture composition in place, and while the fixture is still supported on the nylon all-thread rods, connect the exposed leads of the fixture to the leads from the predetermined place on the ceiling according to the wiring diagram using the wire and wire connectors provided. Attach the ground (TE) + ground (TE) from light fixture, phase 1 (L1) + phase 1 (L1) from light fixture, neutral (N) + neutral (N) from light fixture (Figure 5).

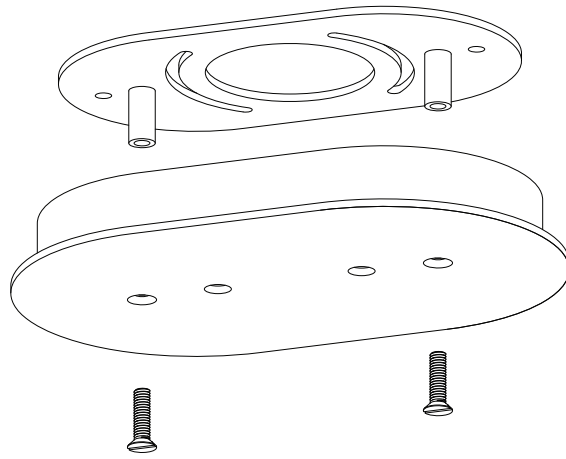
6. Raise the canopy and carefully supported fixture up the nylon all-thread rods all the way flush to the ceiling, taking care that no electrical cables or connections are exposed where the canopy meets the ceiling. Working one at a time, remove a nylon all-thread rod and insert one of the provided machine screws through the countersunk hole in the canopy into the corresponding threaded stand-off on the mounting plate above (Figure 6). Take great care when installing screws so that tools do not slip and scratch the canopy finish, or damage the exposed screw head slots.

7. Install the supplied LED light bulbs (7W Max) into the sockets (Figure 7). This fixture uses G9 sockets and light bulbs. The G9 is a bi-pin socket. Light bulbs are to be inserted and removed by pushing the bulb straight into the socket, and by pulling it straight out. The bulb, when inserted, should have a tight fit. Do not force the bulb. If there is resistance, check to make sure nothing inside the socket is bent or obstructing the bulb. Always turn off the power to the fixture when changing the bulb(s).

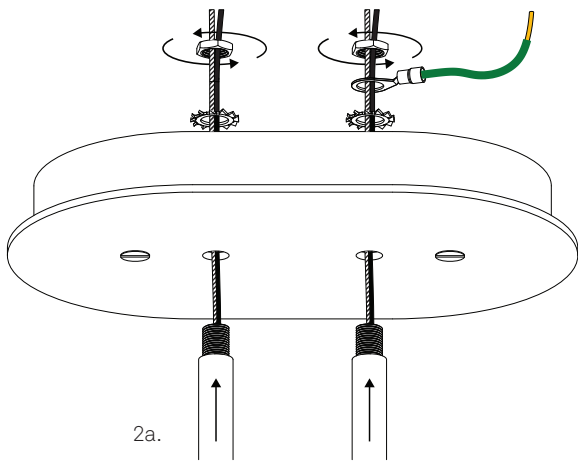
8. Unwrap and lay out the glass diffuser. Carefully fit the glass diffuser over light bulbs so that it fits flush against the brass canopy surface. Secure the glass in place by placing the crossbar into holes on either side of the glass and securing the crossbar in place with provided nuts (Figure 8).



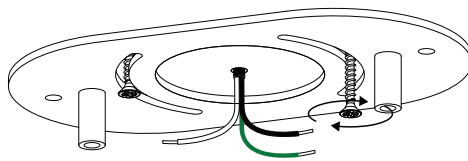
1.



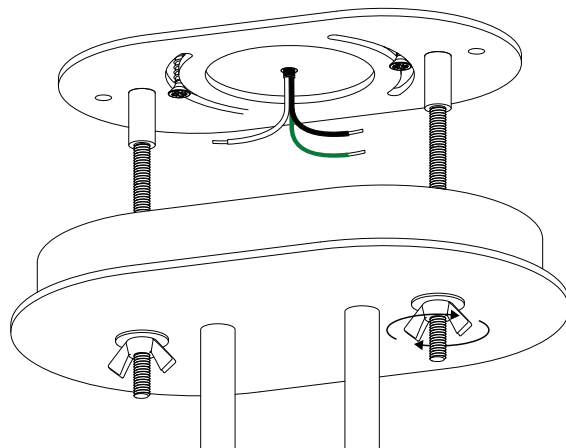
2.



3.

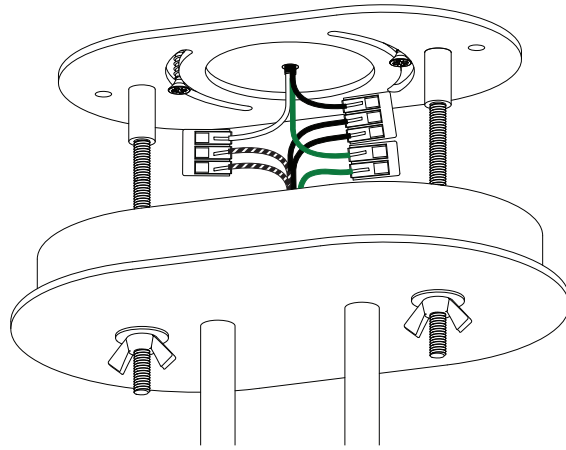


4.

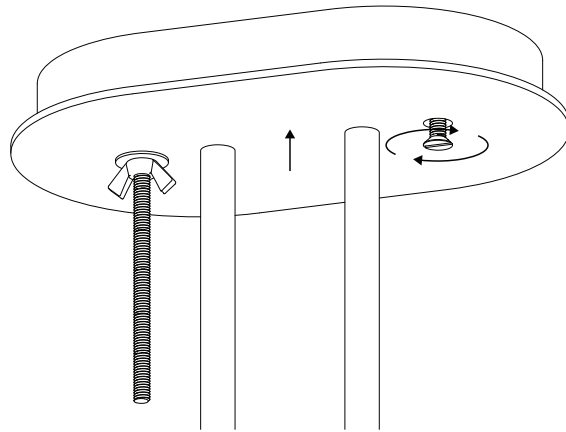




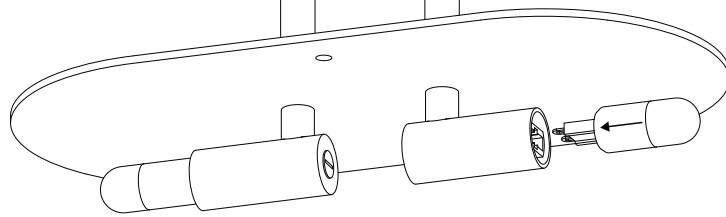
5.



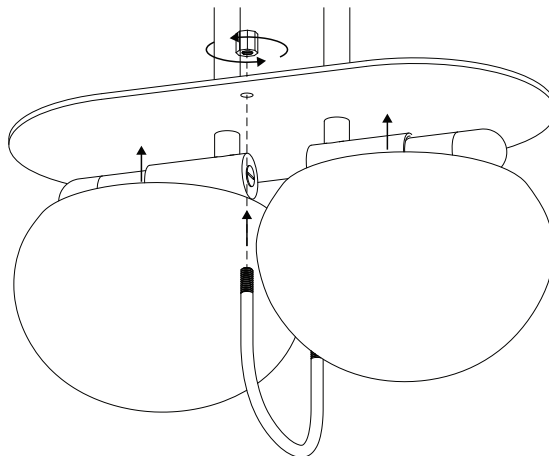
6.

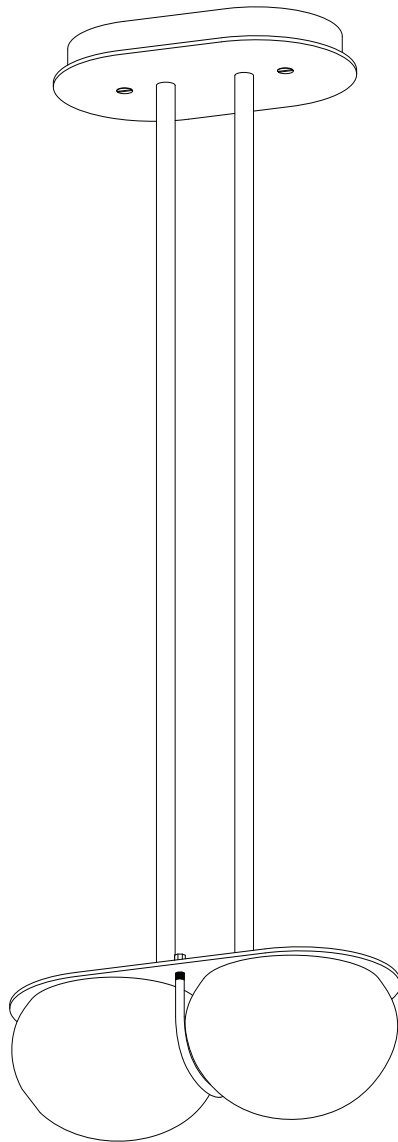


7.



8.





**SkLO**

sklo.com

SkLO US 115 WEST NORTH STREET HEALDSBURG CALIFORNIA 95448 USA +1.707.385.2101 us@sklo.com  
SkLO EU VÁŽNÍ 488 500 03 HRADEC KRÁLOVÉ CZECH REPUBLIC +420.495.542.071 eu@sklo.com