



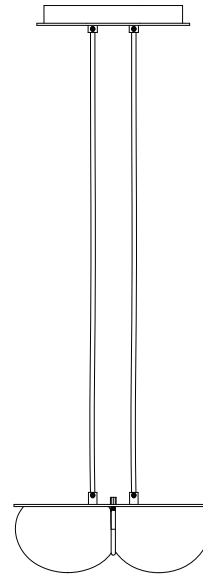
TWIN 3.0 PENDANT

Installation Instructions

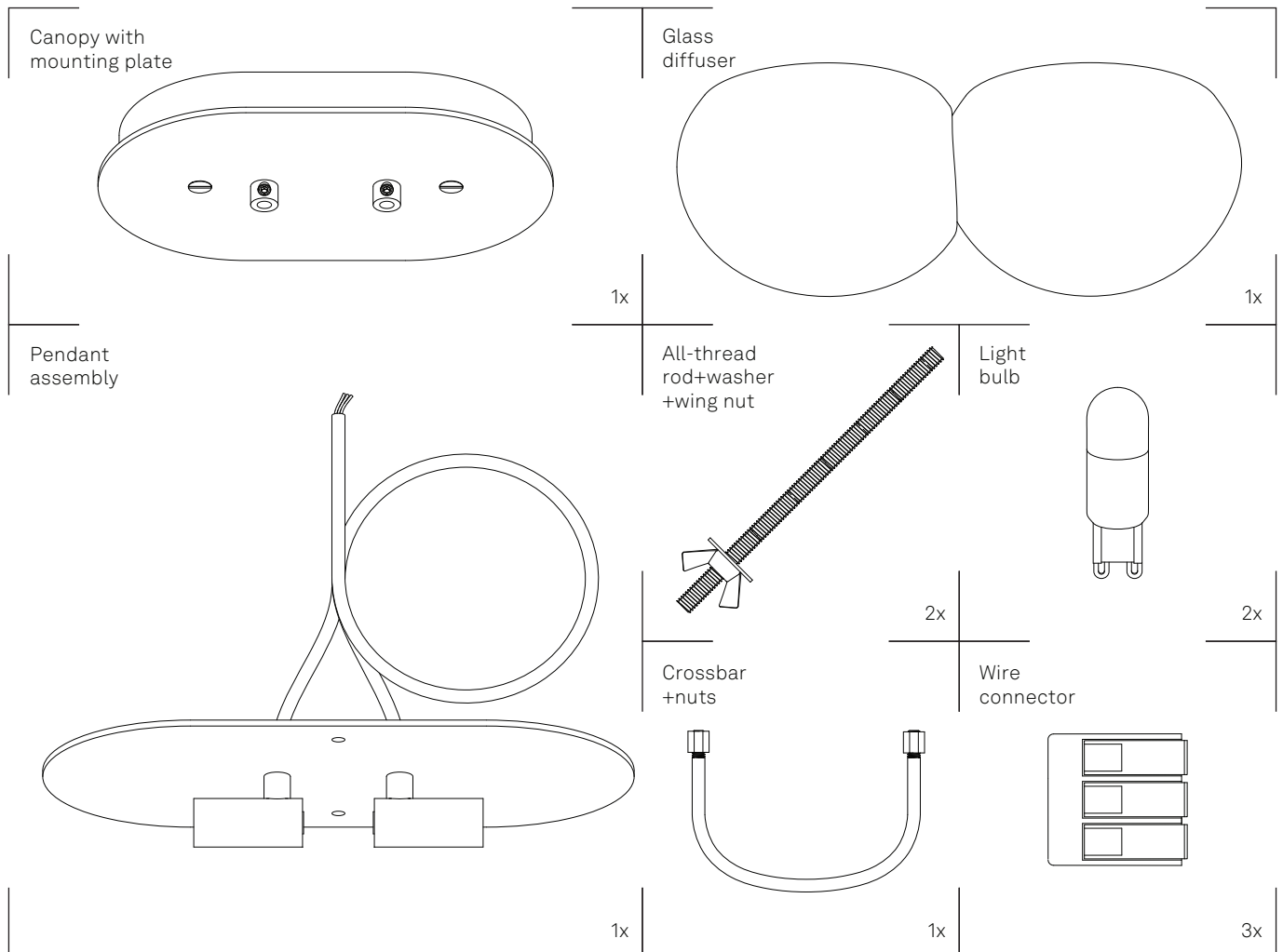
Congratulations on your purchase of a SkLO Twin 3.0 Pendant. This product must be installed in accordance with the applicable codes by a person familiar with the construction and operation of the product and the hazards involved, preferably a licensed electrician. Use a maximum 7W bulb.

When unpacking individual items and parts of the light fixture, make sure to lay them out on a protective surface that will neither mar the delicate metal finishes nor scratch the glass. Gloves (nitrile) are provided and must be worn during installation to avoid fingerprints on the finish of the exposed metal parts.

Your SkLO fixture will arrive with the hand blown glass elements packed separately from the light fixture itself.



CONTENTS:

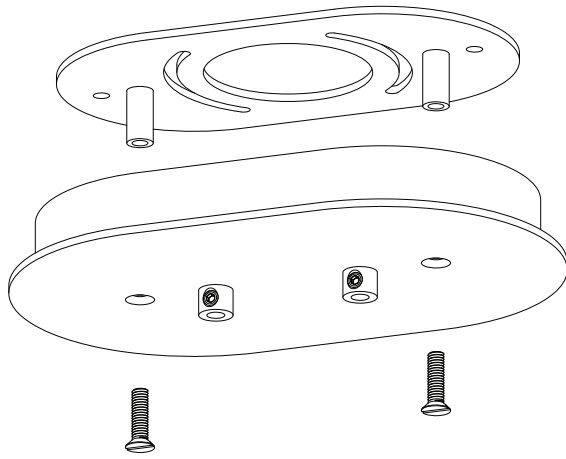




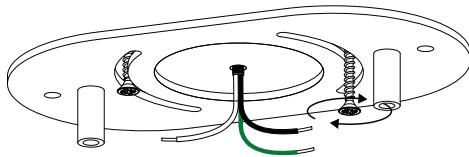
1. The mounting plate will arrive fastened to the canopy. Separate the mounting plate from the canopy by carefully removing the two machine screws and set these aside for use during final installation (Figure 1).
2. Position the mounting plate over the electrical leads on the ceiling in a way that the central opening in the plate and leads are aligned. Determine the final desired position and orientation of the fixture. The mounting plate installs directly to the pre-drilled holes with inserted anchors. Fasteners/anchors (not provided) that are appropriate to the ceiling material being fastened to and in adequate number to support the approximate 4.5 kg weight of the fixture must be installed using some or all the holes (Figure 2).
3. Fully thread the two provided nylon all-thread rods into the two threaded stand-offs on the mounting plate and slide the canopy up and over the all-thread rods such that each rod passes through the appropriate hole in the canopy. One at a time, slide a nylon washer up over both all-threads and thread on a wing nut so that the canopy can rest on the two washers. Level the canopy (Figure 3).
4. Carefully pass each cord through a strain relief on the canopy. Determine the length of exposed cord required and gently tighten each set screw enough to support the pendant – do not overtighten or damage the electrical cord and insulation. Then, leaving enough extra length to make the electrical connections in the canopy, trim any excess length of the electrical cord. When trimming the fabric-wrapped electrical cords make sure to use electrical tape or other means to secure the fabric at the location of the cut, and then at the cut end to avoid splaying, fraying, or slack in the fabric (Figure 4).
5. With the fixture composition in place, and while the fixture is still supported on the nylon all-thread rods, connect the exposed leads of the fixture to the leads from the predetermined place on the ceiling according to the wiring diagram using the wire and wire connectors provided. Attach the ground (TE) + ground (TE) from light fixture, phase 1 (L1) + phase 1 (L1) from light fixture, neutral (N) + neutral (N) from light fixture (Figure 5).
6. Raise the canopy and carefully supported fixture up the nylon all-thread rods all the way flush to the ceiling, taking care that no electrical cables or connections are exposed where the canopy meets the ceiling. Working one at a time, remove a nylon all-thread rod and insert one of the provided machine screws through the countersunk hole in the canopy into the corresponding threaded stand-off on the mounting plate above (Figure 6). Take great care when installing screws so that tools do not slip and scratch the canopy finish, or damage the exposed screw head slots.
7. Install the supplied LED light bulbs (7W Max) into the sockets (Figure 7). This fixture uses G9 sockets and light bulbs. The G9 is a bi-pin socket. Light bulbs are to be inserted and removed by pushing the bulb straight into the socket, and by pulling it straight out. The bulb, when inserted, should have a tight fit. Do not force the bulb. If there is resistance, check to make sure nothing inside the socket is bent or obstructing the bulb. Always turn off the power to the fixture when changing the bulb(s).
8. Unwrap and lay out the glass diffuser. Carefully fit the glass diffuser over light bulbs so that it fits flush against the brass canopy surface. Secure the glass in place by placing the crossbar into holes on either side of the glass and securing the crossbar in place with provided nuts (Figure 8).



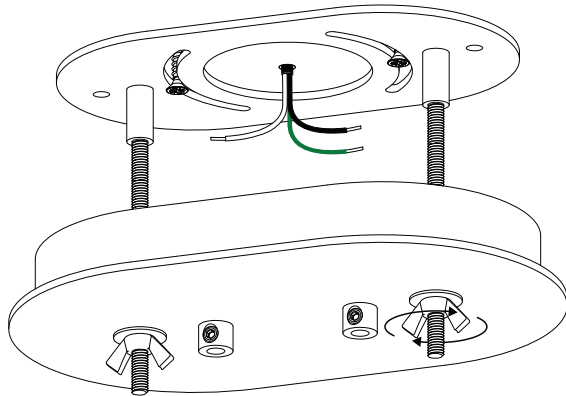
1.



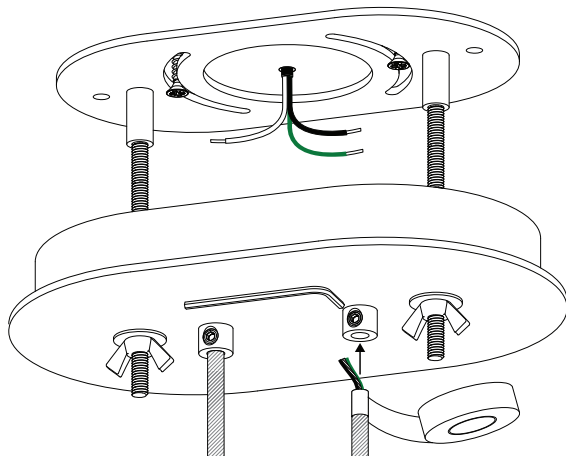
2.



3.

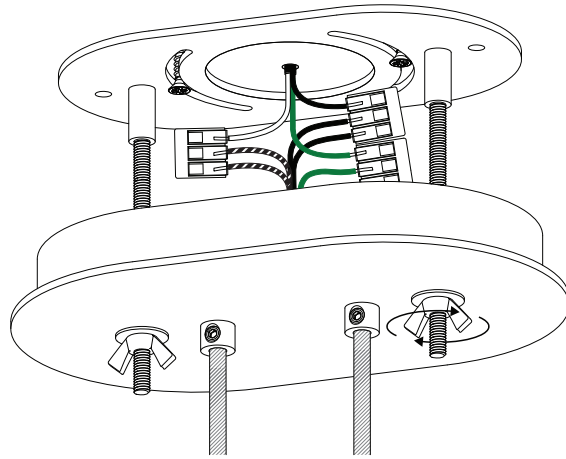


4.

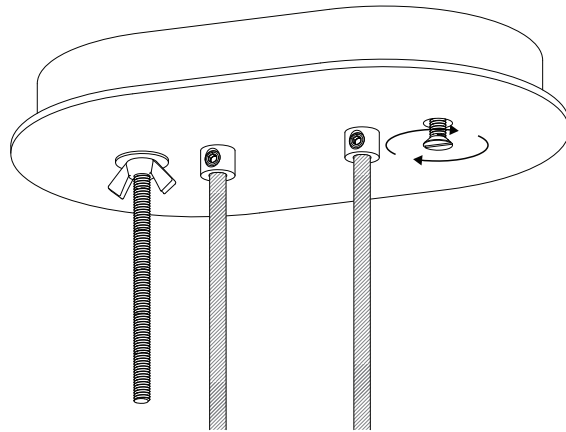




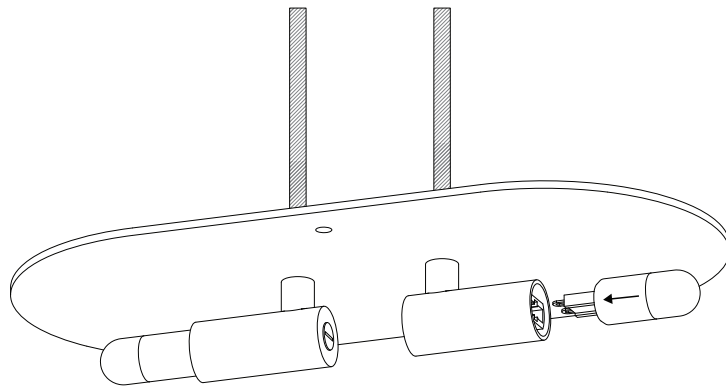
5.



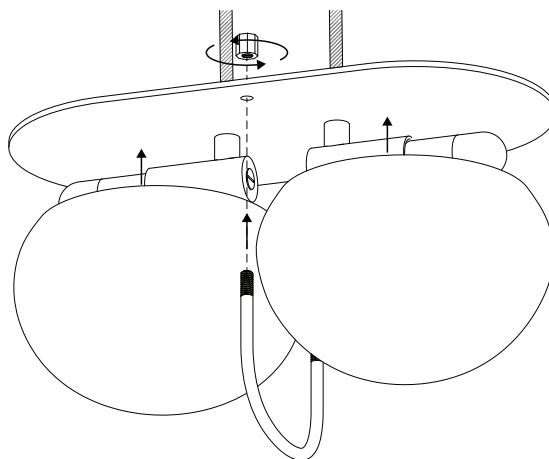
6.

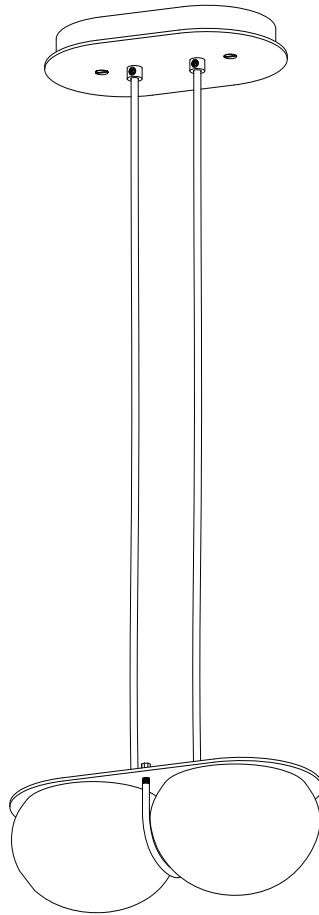


7.



8.





SkLO

sklo.com

SkLO US 115 WEST NORTH STREET HEALDSBURG CALIFORNIA 95448 USA +1.707.385.2101 us@sklo.com
SkLO EU VÁŽNÍ 488 500 03 HRADEC KRÁLOVÉ CZECH REPUBLIC +420.495.542.071 eu@sklo.com