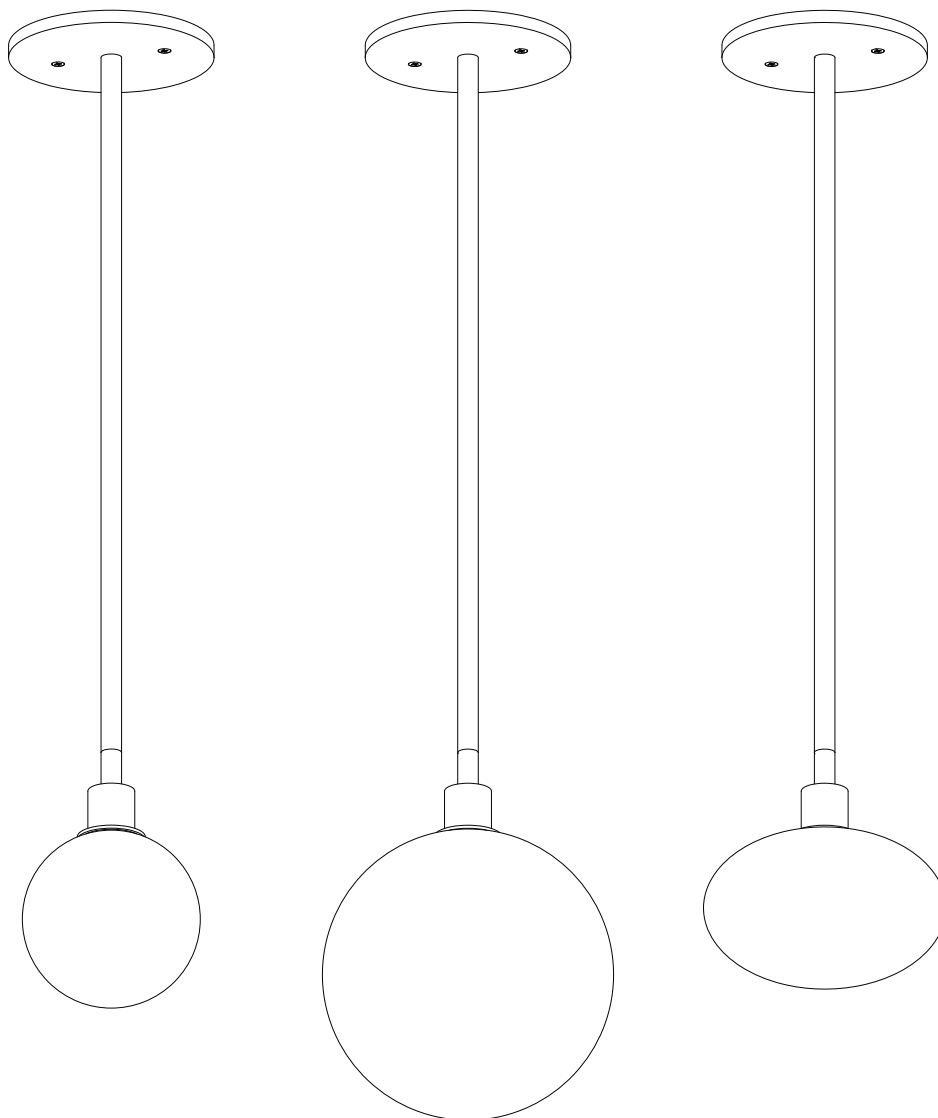




STEM 1x PENDANT

Installation Instructions



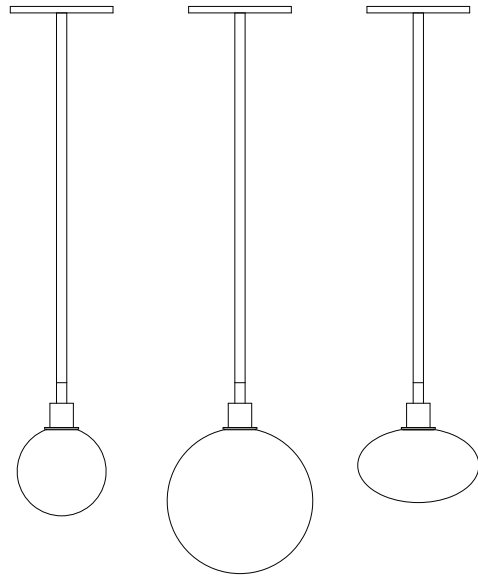


STEM 1x PENDANT

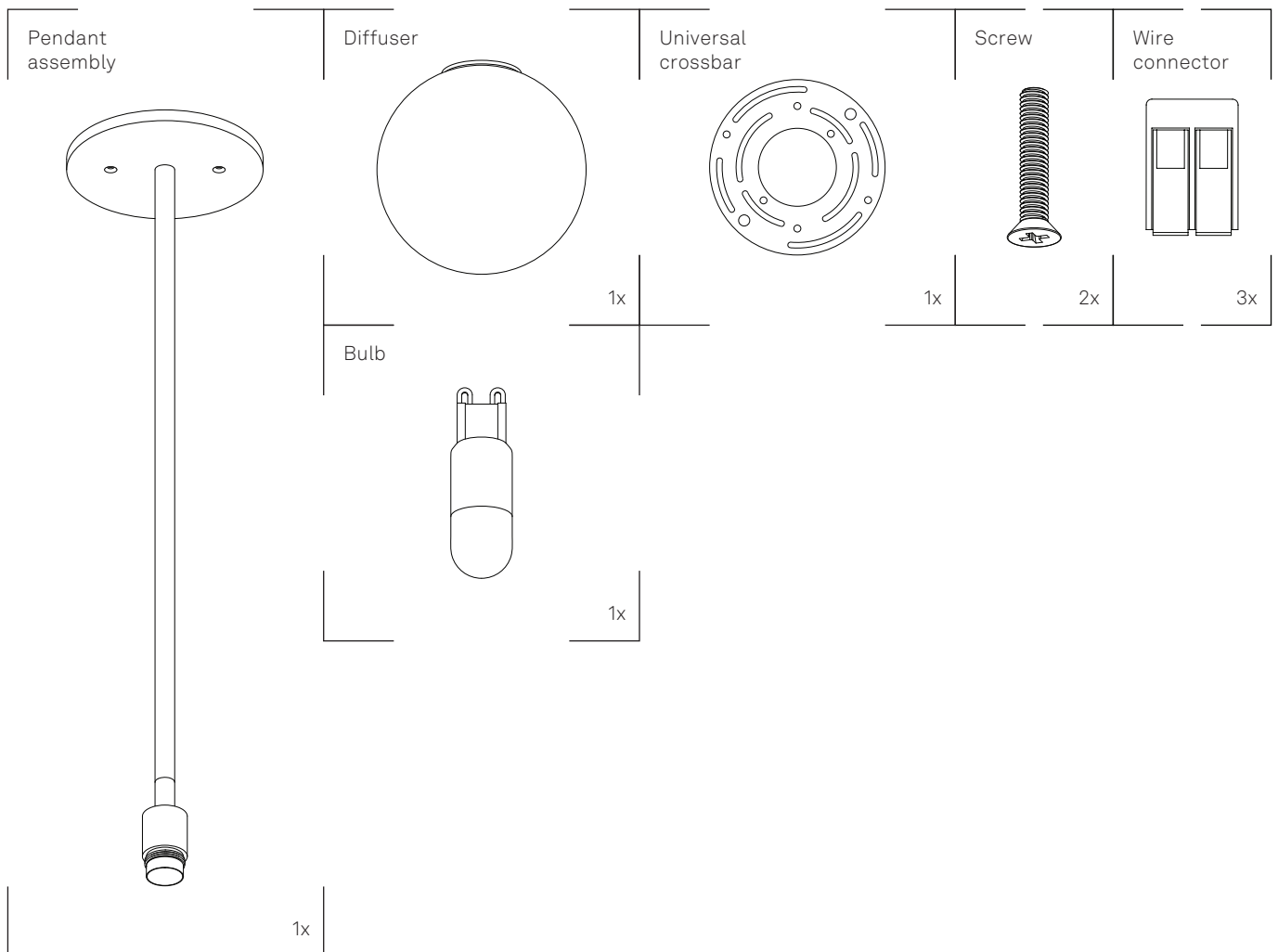
Congratulations on your purchase of a SkLO Stem 1x Pendant. This product must be installed in accordance with the applicable codes by a person familiar with the construction and operation of the product and the hazards involved, preferably a licensed electrician. Use a maximum 7W bulb.

When unpacking individual items and parts of the light fixture, make sure to lay them out on a protective surface that will neither mar the delicate metal finishes nor scratch the glass. Gloves (nitrile) are provided and must be worn during installation to avoid fingerprints on the finish of the exposed metal parts.

Your SkLO fixture will arrive with the hand-blown glass elements packed separately from the light fixture itself.



CONTENTS:



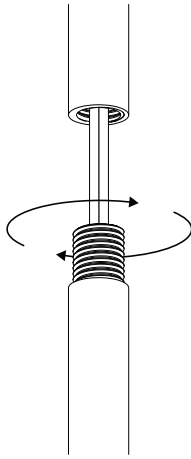
* Shape of the diffuser differs based on customer's specification
** Number of stems may vary based on OAL



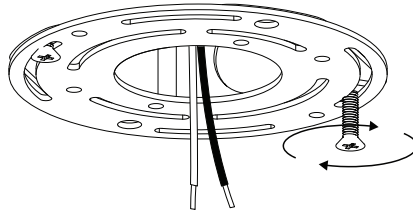
1. For lights with longer OAL lengths, the stem will be in multiple parts. Uncoil the electrical wiring at the top of the fixture and carefully pass the wires through each stem as you fasten them together. To connect the stems, first, attach one of the lengths of the stem to the fixture by threading the open female/ internally threaded end of the stem onto the exposed threaded nipple on the top of the fixture. Then, attach the remaining stem lengths by threading the open end of each stem onto the exposed nipple of the other (Figure 1).
2. Install the universal cross bar (provided) to the recessed electrical box with the provided 8/32 thread screws so that the 8/32 threaded holes spaced 2 3/4" on-center on the crossbar match the desired orientation of the fixture based on the countersunk holes in the canopy (Figure 2).
3. Connect the exposed leads of the fixture to the exposed leads in the electrical box, following the wiring diagram and using the provided wire connectors. Attach the ground (TE) wires to ground (TE) wires of the light fixture, phase 1 (L1) to phase 1 (L1) of the light fixture, neutral (N) to neutral (N) of the light fixture (Figure 3). Please note the number and type of wire connectors may vary.
4. The pendant assembly is installed directly to the crossbar. The back of the canopy is recessed to fit over the crossbar and to sit flush against the ceiling finish surface. Take care that no electrical cables or connections are exposed where the canopy meets the ceiling. Fasten the canopy by screwing the two provided 1" long 8/32 thread machine screws directly into the 8/32 threaded holes spaced 2 3/4" on-center on the crossbar through the countersunk holes provided in the canopy, making sure that the canopy sits flush against the ceiling finish surface (Figure 4). Take great care when installing machine screws so that tools do not slip and scratch the canopy finish or damage the exposed screw head slots.
5. Install the supplied LED light bulb (7 W Max) into the sockets. This fixture uses G9 socket and light bulb. The G9 is a bi-pin socket. Light bulb is to be inserted and removed by pushing the bulb straight into the socket, and by pulling it straight out. The bulb, when inserted, should have a tight fit. Do not force the bulb. If there is resistance, check to make sure nothing inside the socket is bent or obstructing the bulb. Always turn off the power to the fixture when changing the bulb(s). Unwrap and lay out glass diffusers. Carefully thread a glass diffuser onto each socket (Figure 5). Thread on the glass diffusers just until they are visually tight – do not overtighten.



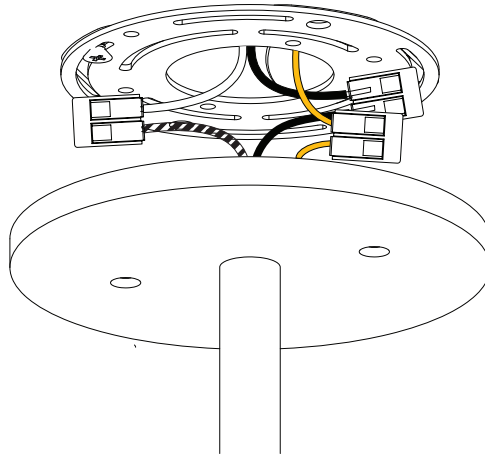
1.



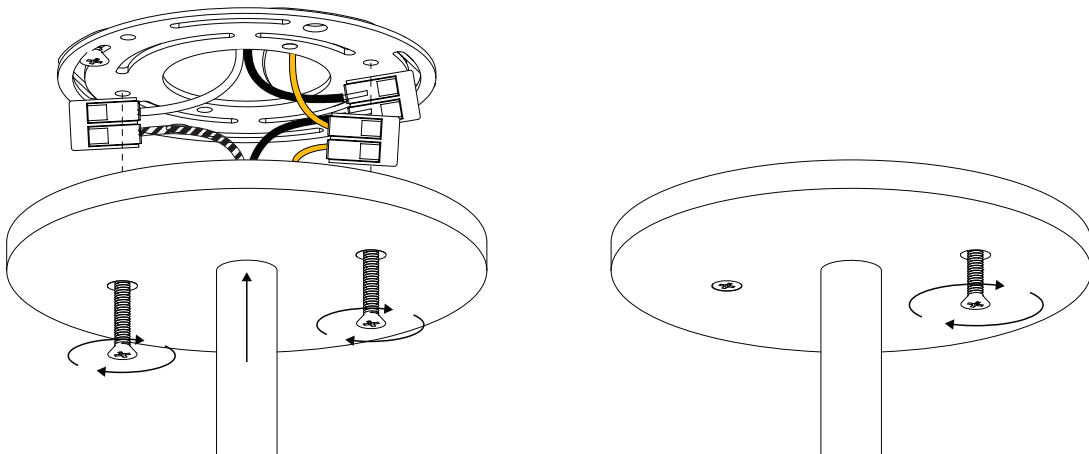
2.



3.



4.





5.

