

## GAIA TALL WALL LIGHT

An elegant linear design made from the highest quality metalwork which has been expertly engineered to retain its minimal character.

### FINISH

Metal finishes:  
- Satin Brass or  
- Bronze

Glass Finishes:  
- Hand shaped smoke glass  
- 150mm matte opal  
- 150mm shiny opal  
- 150mm tinted

See Page 2 for descriptions and SKU's:

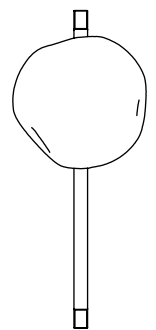
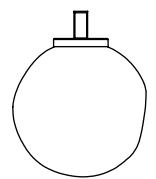
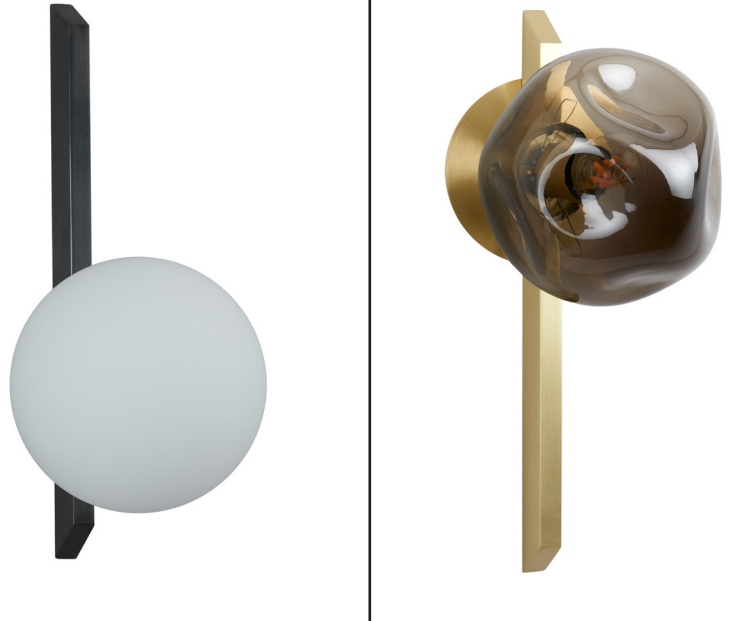
### BULBS

240v - 1 x E14, 25w max (or 4.5w LED 2700k)  
110v - 1 x E12, 60w max (or 6.5w LED 2700k)  
(no bulbs supplied)

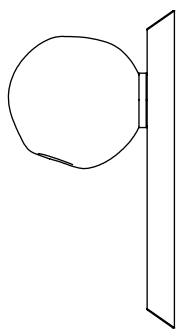
### WEIGHT

1.5kg (3.3lbs)

### CERTIFICATION



150mm (6)



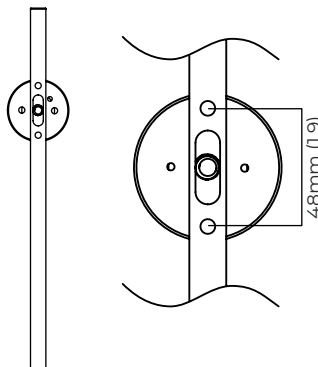
183mm (7.2)

250mm (9.8)

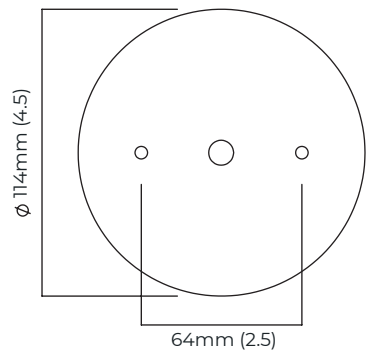
350mm (13.8)

### Mounting Options:

Flush fixing bracket:



Cover plate /  
North America junction box cover:



∅ 114mm (4.5)

64mm (2.5)

## GAIA TALL WALL LIGHT

### 240V - flush mounting:

Gia Tall Wall Light Flush 240V				
Finish	Hand shaped smoked glass	150mm Matte Opal	150mm Shiny Opal	150mm Tinted
Satin Brass	GAIWATSBCG-240	GAIWATSBOG-240	GAIWATSBSO-240	GAIWATSBTG-240
Bronze	GAIWATBZCG-240	GAIWATBZOG-240	GAIWATBZSO-240	GAIWATBZTG-240

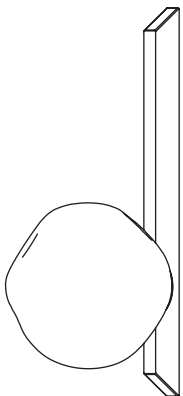
### 240V - with cover plate:

Gia Tall Wall Light Cover Plate 240V				
Finish	Hand shaped smoked glass	150mm Matte Opal	150mm Shiny Opal	150mm Tinted
Satin Brass	GAIWPTSBCG-240	GAIWPTSBOG-240	GAIWPTSBSO-240	GAIWPTSBTG-240
Bronze	GAIWPTBZCG-240	GAIWPTBZOG-240	GAIWPTBZSO-240	GAIWPTBZTG-240

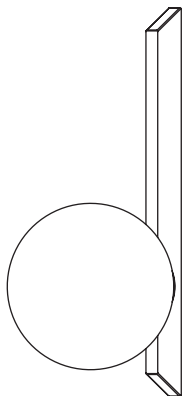
### 110V - with North America junction box cover:

Gia Tall Wall Light Cover Plate US 110V				
Finish	Hand shaped smoked glass	150mm Matte Opal	150mm Shiny Opal	150mm Tinted
Satin Brass	GAIWPOSBCG-110	GAIWPTSBOG-110	GAIWPTSBSO-110	GAIWPTSBTG-110
Bronze	GAIWPOBZCG-110	GAIWPTBZOG-110	GAIWPTBZSO-110	GAIWPTBZTG-110

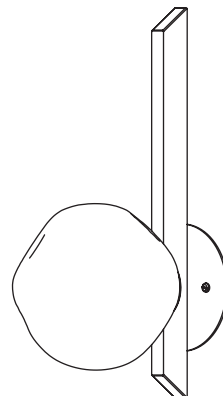
### Glass size & Mounting examples:



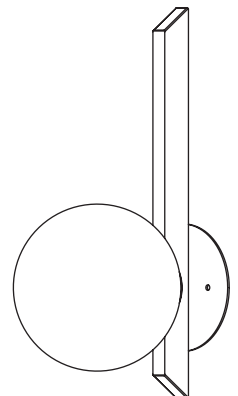
hand shaped smoked glass



150mm glass



hand shaped smoke glass  
with cover plate



150mm glass  
with cover plate